

ROBERTS GORDON®

COMPLETE™

Model CTH2D

Gas-Fired, Low Intensity Unitary Heater

Installation, Operation & Service Manual

CTH2D-40
CTH2D-60
CTH2D-80
CTH2D-100
CTH2D-125
CTH2D-150
CTH2D-175

FOR YOUR SAFETY

If you smell gas:

1. Open windows.
2. DO NOT try to light any appliance.
3. DO NOT use electrical switches.
4. DO NOT use any telephone in your building.
5. Extinguish any open flame.
6. Leave the building.
7. Immediately call your local gas supplier after leaving the building. Follow the gas supplier's instructions.
8. If you cannot reach your gas supplier, call the Fire Department.

⚠ WARNING



Fire Hazard

Keep all flammable objects, liquids and vapors the minimum required clearances to combustibles away from heater.

Some objects will catch fire or explode when placed close to heater.

Failure to follow these instructions can result in death, injury or property damage.

⚠ WARNING

Improper installation, adjustment, alteration, service or maintenance can result in death, injury or property damage. Read the Installation, Operation and Service Manual thoroughly before installing or servicing this equipment.

Installation must be done by a contractor qualified in the installation and service of gas-fired heating equipment or your gas supplier.

Installer

Please take the time to read and understand these instructions prior to any installation. Installer must give a copy of this manual to the owner.

Owner

Keep this manual in a safe place in order to provide your service technician with necessary information.



Roberts-Gordon LLC

1250 William Street
P.O. Box 44
Buffalo, New York 14240-0044
Telephone: +1.716.852.4400
Fax: +1.716.852.0854
Toll Free: 800.828.7450

www.robertsgordon.com

TABLE OF CONTENTS

SECTION 1: Heater Safety	1	SECTION 9: Gas Piping	42
1.1 Manpower Requirements	1	SECTION 10: Wiring	44
1.2 Safety Labels and Their Placement	1	10.1 Line Voltage Thermostat Wiring.....	44
1.3 California Proposition 65	1	10.2 Low Voltage Thermostat with One Burner	44
SECTION 2: Installer Responsibility	4	10.3 Low Voltage Thermostat Wiring with Multiple Burners.	45
2.1 Wall Tag	4	10.4 Internal Wiring.....	45
2.2 Corrosive Chemicals.....	4	10.5 Ladder Diagram	46
2.3 National Standards and Applicable Codes	4	10.6 Electrical Connection to the Burner	46
SECTION 3: Clearances to Combustibles	5	SECTION 11: Operation and Maintenance	47
3.1 Required Clearances to Combustibles.....	5	11.1 Sequence of Operation	47
SECTION 4: National Standards and Applicable Codes	9	11.2 To Shut Off Heater.....	47
4.1 Gas Codes.....	9	11.3 To Start Heater	47
4.2 Aircraft Hangars	9	11.4 Pre-Season Maintenance and Annual Inspection....	47
4.3 Public Garages	9	11.5 Maintenance Checklist	48
4.4 Electrical	9	SECTION 12: Troubleshooting	50
4.5 Venting.....	9	12.1 Troubleshooting Flow Chart	51
4.6 High Altitude	9	12.2 Manifold Gas Pressure Setting	53
SECTION 5: Major Components	10	SECTION 13: Replacement Parts	54
5.1 Standard Parts List	12	SECTION 14: General Specifications	56
SECTION 6: Heater Installation	15	14.1 Material Specifications.....	56
6.1 Burner Tube Installation	20	14.2 Heater Specifications.....	56
6.2 Tube Clamp Package Installation.....	20	14.3 Suspension Specifications.....	56
6.3 Coupling and Tube Assembly.....	21	14.4 Controls Specifications	56
6.4 Turbulator Installation	22	SECTION 15: The ROBERTS GORDON® COMPLETE™ CTH2D	
6.5 Reflector Installation	23	Warranty	57
6.6 Burner Installation.....	25		
SECTION 7: Optional Heater Accessories	26		
7.1 U-Tube Configuration.....	26		
7.2 Elbow Package Configuration.....	30		
7.3 Reflector Side Extension	32		
7.4 Lower Clearance Shield Installation	33		
7.5 Two-Foot Decorative Grille Installation	33		
7.6 Protective Grille Installation	35		
SECTION 8: Venting	36		
8.1 General Venting Requirements.....	36		
8.2 Unvented Operation.....	36		
8.3 Horizontal Venting.....	37		
8.4 Vertical Venting	37		
8.5 Unvented Operation Tube Termination	37		
8.6 Length Requirements	37		
8.7 Horizontal Ventilation 4" (10 cm) Pipe.....	37		
8.8 Vertical Ventilation 4" (10 cm) Pipe.....	38		
8.9 Common Sidewall Venting.....	38		
8.10 Common Vertical Venting	39		
8.11 Outside Combustion Air Supply	40		

© 2016 Roberts-Gordon LLC

All rights reserved. No part of this work covered by the copyrights herein may be reproduced or copied in any form or by any means - graphic, electronic, or mechanical, including photocopying, recording, taping or information storage and retrieval systems - without the written permission of Roberts-Gordon LLC.

TABLE OF FIGURES

Figure 1: Top and Bottom Panel Label Placement	2
Figure 2: Side and Back Panel Label Placement	3
Figure 3: Level Reflector	5
Figure 4: Level Side Reflector	6
Figure 5: Two Side Reflectors	6
Figure 6: 45° Tilt Reflector	6
Figure 7: U-Tube, Level Reflector	7
Figure 8: U-Tube, 45°	7
Figure 9: U-Tube, Opposite 45° Reflector	7
Figure 10: 2-Foot Deco Grille and Protective Grille	8
Figure 11: Lower Clearance Shield*	8
Figure 12: Venting	8
Figure 13: Major Component Descriptions - Standard Reflector. 10	
Figure 14: Major Component Descriptions - High Efficiency Reflector.....	11
Figure 15: Critical Hanger Placement	16
Figure 16: Linear Heater Assembly Overview	17
Figure 17: Linear Heater Layout Overview	18
Figure 18: Linear Heater Layout Overview (Continued)	19
Figure 19: U-Tube Heater Assembly Overview	27
Figure 20: U-Tube Heater Layout Overview	28
Figure 21: U-Tube Heater Layout Overview (Continued)	29
Figure 22: Reflector Joint Detail	31
Figure 23: Tube Termination	37
Figure 24: Gas Connection with Flexible Gas Hose	43
Figure 25: Burner Exploded View	55

SECTION 1: HEATER SAFETY



Your Safety is Important to Us!
This symbol is used throughout the manual to notify you of possible fire, electrical or burn hazards. Please pay special attention when reading and following the warnings in these sections.

Installation, service and annual inspection of heater must be done by a contractor qualified in the installation and service of gas-fired heating equipment.

Read this manual carefully before installation, operation or service of this equipment.

This heater is designed for heating nonresidential indoor spaces. Do not install in residential spaces. This heater is not certified to meet the requirements of NFPA30A-2012 Section 7.6.6. (maximum tube temperature of 750 °F (399 °C)). Do not install this heater in facilities where compressed natural gas (CNG) or liquid natural gas (LNG) are present. These instructions, the layout drawing, local codes and ordinances, and applicable standards that apply to gas piping, electrical wiring, venting, etc. must be thoroughly understood before proceeding with the installation.

Protective gear is to be worn during installation, operation and service in accordance to the Occupational Safety and Hazard Administration (OSHA). Gear must be in accordance to NFPA 70E, latest revision when working with electrical components. Thin sheet metal parts have sharp edges. To prevent injury, the use of work gloves is recommended. The use of gloves will also prevent the transfer of body oils from the hands to the surface of the reflector.

Before installation, check that the local distribution conditions, nature of gas and pressure, and adjustment of the appliance are compatible.

This heater must be applied and operated under the general concepts of reasonable use and installed using best building practices.

This appliance is not intended for use by persons (including children) with reduced physical, sensory or mental capabilities, or lack of experience and knowledge, unless they have been given supervision or instruction concerning use of the appliance by a person responsible for their safety. Children should be supervised to ensure that they do no play with the appliance.

For additional copies of the Installation, Operation and Service Manual, please contact Roberts-Gordon LLC.

1.1 Manpower Requirements

To prevent personal injury and damage to the heater, two persons will be required for installation.

1.2 Safety Labels and Their Placement

Product safety signs or labels should be replaced by the product user when they are no longer legible. Please contact Roberts-Gordon or your ROBERTS GORDON® independent distributor to obtain replacement signs or labels. See *Page 2, Figure 1 through Page 3, Figure 2*.

1.3 California Proposition 65

In accordance with California Proposition 65 requirements, a warning label must be placed in a highly visible location on the outside of the equipment (i.e., near equipment's serial plate). See label placement drawing on *Page 2, Figure 1* for label location. Avoid placing label on areas with extreme heat, cold, corrosive chemicals or other elements. To order additional labels, please contact Roberts-Gordon LLC or your ROBERTS GORDON® independent distributor.

FIGURE 1: Top and Bottom Panel Label Placement

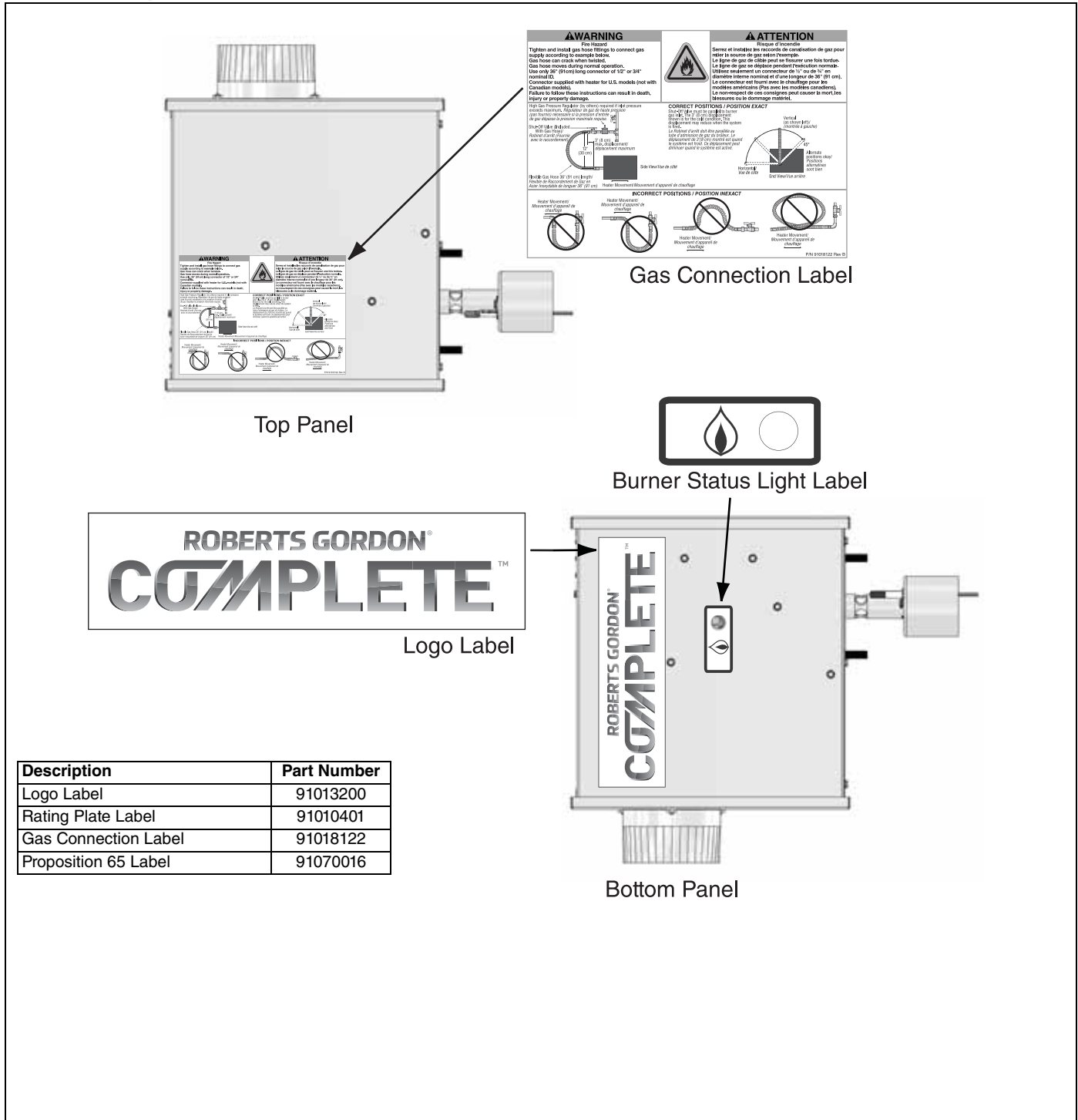


FIGURE 2: Side and Back Panel Label Placement

AWARNING
This equipment, in related accessories and by-products of operation, contain chemicals known to the State of California to be cancer and birth defects or other reproductive harm.

ADVERTENCIA
Este equipo, sus accesorios y los productos derivados de su operación contienen productos químicos que el Estado de California considera cancerígenos de categoría 1 y defectos de nacimiento u otros daños reproductivos.

Printed in U.S.A./Imprimé en E.E.U.U. P/N 9107005 Drg

Proposition 65 Label

Side Panel

Back Panel

Thermostat Connection Label

VENT LENGTH REQUIREMENT
EXIGENCES CONCERNANT L'ÉVALUATION GÉNÉRALE DES GAZ

WARNING
Carbon Monoxide Hazard
Respirer l'oxygène de carbone peut être mortel. Les détecteurs de gaz doivent être installés conformément aux instructions du fabricant.

ATTENTION
Respirer l'oxygène de carbone peut être mortel. Les détecteurs de gaz doivent être installés conformément aux instructions du fabricant.

Rating Plate Label

Model No. Gas Buffalo, New York, USA
Serial No.
Normal Input Rating Min. Max.
Min. Input Rating Min. Max.
Gas Pressure at Manifold Orifice Size
Pressure at Gas at Distributor (Injector)
Electrical Rating V Hz
Degrees Max.
Reflector May Be Installed at Degrees Max.
Le réflecteur peut être installé à degrés Max.
Equip for Altitude
Équipé pour une altitude de
Standard CSA 2.24 Low-Intensity Infrared
For Brooder Use
Pour usage de poulaillers d'élevage
www.robertsgordon.com
P/N 910401 Rev. M

Vent Length Label

Rating Plate Label

Lighting Instruction Plate Label

Control Door (Inside)

Control Side Panel

Wiring Label

Clearances to Combustibles Label

Description	Part Number
Rating Plate Label	91010401
Lighting Instruction Plate Label	91029602
Wiring Label	91030308
Clearances to Combustibles Label	91013432
Proposition 65 Label	91070016
Thermostat Connection Label	91037902

SECTION 2: INSTALLER RESPONSIBILITY

The installer is responsible for the following:

- To install the heater, as well as the gas and electrical supplies, in accordance with applicable specifications and codes. Roberts-Gordon recommends the installer contact a local Building Inspector or Fire Marshal for guidance.
- To use the information given in a layout drawing and in the manual together with the cited codes and regulations to perform the installation.
- To install the heater in accordance with the clearances to combustibles.
- To furnish all needed materials not furnished as standard equipment.
- To plan location of supports.
- To provide access to burners for servicing on all sides for burner removal.
- To provide the owner with a copy of this installation, operation and service manual.
- To never use heater as support for a ladder or other access equipment and never hang or suspend anything from heater.
- To ensure there is adequate air circulation around the heater and to supply air for combustion, ventilation and distribution in accordance with local codes.
- To safely and adequately install heater using materials with a minimal working load of 75 lbs (33 kg).
- To ensure the heater is placed in a approved application.

2.1 Wall Tag

A laminated wall tag is available for the heater as a permanent reminder of the safety instructions and the importance of the required clearances to combustibles. Please contact Roberts-Gordon or your ROBERTS GORDON® independent distributor to obtain the wall tag. Affix the tag by peeling off the backing of the adhesive strips on the rear surface and position the tag on a wall near the heater (e.g. thermostat or ROBERTS GORDON® Controller).

A copy of the wall tag (P/N 91037912) is illustrated on the back cover. For an immediate solution, you may affix this copy on the wall near the heater.

Know your model number and installed configuration. Model number and installed configuration are found

on the burner and in the Installation, Operation and Service Manual. See Page 5, Figure 3 through Page 8, Figure 12. Write the proper clearance dimensions in permanent ink according to your model number and configuration in the open spaces on the tag.

2.2 Corrosive Chemicals

! **CAUTION**



Product Damage Hazard

Do not use heater in area containing corrosive chemicals.

Refer to appropriate Material Safety Data Sheets (MSDS).

Failure to follow these instructions can result in product damage.

Roberts-Gordon cannot be responsible for ensuring that all appropriate safety measures are undertaken prior to installation; this is entirely the responsibility of the installer. It is essential that the contractor, the sub-contractor, or the owner identifies the presence of combustible materials, corrosive chemicals or halogenated hydrocarbons* anywhere in the premises.

** **Halogenated Hydrocarbons** are a family of chemical compounds characterized by the presence of halogen elements (fluorine, chlorine, bromine, etc.). These compounds are frequently used in refrigerants, cleaning agents, solvents, etc. If these compounds enter the air supply of the burner, the life span of the heater components will be greatly reduced. An outside air supply must be provided to the burners whenever the presence of these compounds is suspected. Warranty will be invalid if the heater is exposed to halogenated hydrocarbons.*

2.3 National Standards and Applicable Codes

All appliances must be installed in accordance with the latest revision of the applicable standards and national codes. This refers also to the electric, gas and venting installation. Note: Additional standards for installations in Public Garages, Aircraft Hangars, etc. may be applicable.

SECTION 3: CLEARANCES TO COMBUSTIBLES

3.1 Required Clearances to Combustibles

Clearances are the required distances that combustible objects must be away from the heater to prevent serious fire hazards. Combustibles are materials that may catch on fire and include common items such as wood, paper, rubber, fabric, etc. **Maintain clearances to combustibles at all times for safety.**

Clearances for all heater models are located on the burner of the heater and *on Page 5, Figure 3 through Page 8, Figure 12* in this manual. Check the clearances on each burner for the model heater being installed to make sure the product is suitable for your application and the clearances are maintained. Read and follow the safety guidelines below:

- Keep gasoline or other combustible materials including flammable objects, liquids, dust or vapors away from this heater or any other appliance.
- The stated clearances to combustibles represents a surface temperature of 90° F (32°C) above room temperature. Building materials with a low heat tolerance (such as plastics, vinyl siding, canvas, triply, etc) may be subject to degradation at lower temperatures. It is the installer's responsibility to assure that adjacent materials are protected from degradation.
- Maintain clearances from heat sensitive equipment and workstations.
- Maintain clearances from vehicles parked below the heater.
- Maintain clearances from swinging and overhead doors, overhead cranes, vehicle lifts, partitions, storage racks, hoists, building construction, etc.

- NOTE:** 1. All dimensions are from the surfaces of all tubes, couplings and elbows.
2. Clearances B, C and D can be reduced by 50% after 25' (7.5 m) of tubing downstream from where the burner and burner tube connect.

⚠ WARNING



Fire Hazard

Keep all flammable objects, liquids and vapors the minimum required clearances to combustibles away from heater.

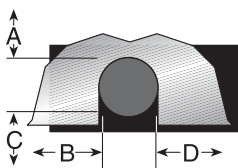
Some objects will catch fire or explode when placed close to heater.

Failure to follow these instructions can result in death, injury or property damage.

- In locations used for the storage of combustible materials, signs must be posted to specify the maximum permissible stacking height to maintain required clearances from the heater to the combustibles. Signs must be posted adjacent to the heater thermostat. In the absence of a thermostat, signs must be posted in a conspicuous location.
- Consult local Fire Marshal, Fire Insurance Carrier or other authorities for approval of proposed installation when there is a possibility of exposure to combustible airborne materials or vapors.
- Hang heater in accordance to the minimum suspension requirements *on Page 16, Figure 15*.
- If the radiant tubes must pass through the building structure, be sure that adequate sleeving and fire stop is installed to prevent scorching and/or fire hazard.

FIGURE 3: LEVEL REFLECTOR

Model	(inches)				(centimeters)			
	A	B	C	D	A	B	C	D
CTH2D-40	6	27	53	27	16	69	135	69
CTH2D-60	6	35	63	35	16	89	161	89
CTH2D-80	6	38	66	38	16	97	168	97
CTH2D-100	6	40	71	40	16	102	181	102
CTH2D-125	6	46	77	46	16	117	196	117
CTH2D-150	6	50	80	50	16	127	204	127
CTH2D-175	8	52	82	52	21	133	209	133



NOTE: 1. All dimensions are from the surfaces of all tubes, couplings and elbows.
 2. Clearances B, C and D can be reduced by 50% after 25' (7.5 m) of tubing downstream from where the burner and burner tube connect.

FIGURE 4: LEVEL SIDE REFLECTOR

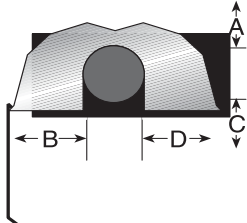
	Model	(inches)				(centimeters)			
		A	B	C	D	A	B	C	D
	CTH2D-40	6	9	53	44	16	23	135	112
	CTH2D-60	6	9	63	47	16	23	161	120
	CTH2D-80	6	9	70	54	16	23	178	138
	CTH2D-100	6	9	77	59	16	23	196	150
	CTH2D-125	6	9	83	65	16	23	211	166
	CTH2D-150	6	9	86	69	16	23	219	176
	CTH2D-175	8	9	88	73	21	23	224	186

FIGURE 5: TWO SIDE REFLECTORS

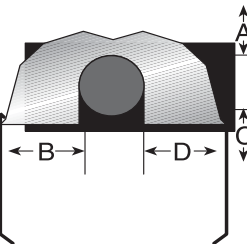
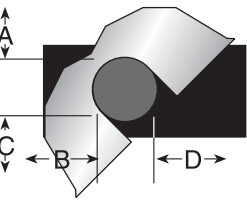
	Model	(inches)				(centimeters)			
		A	B	C	D	A	B	C	D
	CTH2D-40	6	15	53	15	16	39	135	39
	CTH2D-60	6	23	66	23	16	59	168	59
	CTH2D-80	6	25	72	25	16	64	183	64
	CTH2D-100	6	27	78	27	16	69	199	69
	CTH2D-125	6	32	84	32	16	82	214	82
	CTH2D-150	6	35	88	35	16	89	224	89
	CTH2D-175	8	40	91	40	21	102	232	102

FIGURE 6: 45° TILT REFLECTOR

	Model	(inches)				(centimeters)			
		A	B	C	D	A	B	C	D
	CTH2D-40	8	8	51	46	21	21	130	117
	CTH2D-60	8	8	60	54	21	21	153	138
	CTH2D-80	8	8	66	60	21	21	168	153
	CTH2D-100	10	8	74	64	26	21	188	163
	CTH2D-125	10	8	78	69	26	21	199	176
	CTH2D-150	12	8	84	74	31	21	214	188
	CTH2D-175	12	8	85	79	31	21	216	201

- NOTE:** 1. All dimensions are from the surfaces of all tubes, couplings and elbows.
 2. Clearances B, C and D can be reduced by 50% after 25' (7.5 m) of tubing downstream from where the burner and burner tube connect.

FIGURE 7: U-TUBE, LEVEL REFLECTOR

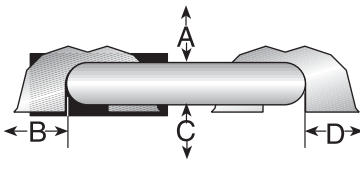
	Model	(inches)				(centimeters)			
		A	B	C	D	A	B	C	D
	CTH2D-40	- UNAPPROVED -				- UNAPPROVED -			
	CTH2D-60	6	35	63	30	16	89	161	77
	CTH2D-80	6	38	69	37	16	97	176	94
	CTH2D-100	6	40	76	39	16	102	194	100
	CTH2D-125	6	46	79	43	16	117	201	110
	CTH2D-150	6	50	84	47	16	127	214	120
	CTH2D-175	8	54	87	51	21	138	221	130

FIGURE 8: U-TUBE, 45°

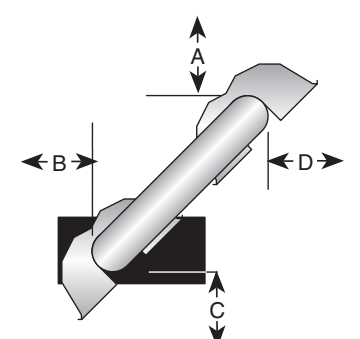
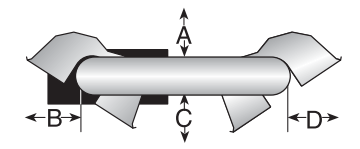
	Model	(inches)				(centimeters)			
		A	B	C	D	A	B	C	D
	CTH2D-40	- UNAPPROVED -				- UNAPPROVED -			
	CTH2D-60	8	8	60	42	21	21	153	107
	CTH2D-80	8	8	66	46	21	21	168	117
	CTH2D-100	8	8	74	52	21	21	188	133
	CTH2D-125	8	8	78	61	21	21	199	155
	CTH2D-150	8	8	84	66	21	21	214	168
	CTH2D-175	8	8	85	70	21	21	216	178

FIGURE 9: U-TUBE, OPPOSITE 45° REFLECTOR

	Model	(inches)				(centimeters)			
		A	B	C	D	A	B	C	D
	CTH2D-40	- UNAPPROVED -				- UNAPPROVED -			
	CTH2D-60	8	54	60	22	21	138	153	56
	CTH2D-80	8	60	66	22	21	153	168	56
	CTH2D-100	10	64	74	22	26	163	188	56
	CTH2D-125	10	70	78	22	26	178	199	56
	CTH2D-150	12	74	84	22	31	188	214	56
	CTH2D-175	12	76	85	22	31	194	216	56

NOTE: 1. All dimensions are from the surfaces of all tubes, couplings and elbows.
 2. Clearances B, C and D can be reduced by 50% after 25' (7.5 m) of tubing downstream from where the burner and burner tube connect.

FIGURE 10: 2-FOOT DECO GRILLE AND PROTECTIVE GRILLE

Model	(inches)				(centimeters)			
	A	B	C	D	A	B	C	D
CTH2D-40	6	27	53	27	16	69	135	69
CTH2D-60	6	35	63	35	16	89	161	89
CTH2D-80	6	38	66	38	16	97	168	97
CTH2D-100	6	40	71	40	16	102	181	102
CTH2D-125	6	46	77	46	16	117	196	117
CTH2D-150	6	50	80	50	16	127	204	127
CTH2D-175	8	52	82	52	21	133	209	133

FIGURE 11: LOWER CLEARANCE SHIELD*

Model	(inches)				(centimeters)			
	A	B	C	D	A	B	C	D
CTH2D-40	6	34	27	34	16	87	69	87
CTH2D-60	6	39	33	39	16	100	84	100
CTH2D-80	6	40	38	40	16	102	97	102
CTH2D-100	6	50	44	50	16	127	112	127
CTH2D-125	6	54	48	54	16	138	122	138
CTH2D-150	6	55	50	55	16	140	127	140
CTH2D-175	- UNAPPROVED -				- UNAPPROVED -			

*When installed in the first 10' (3 m).

FIGURE 12: VENTING

Model	(inches)			(centimeters)		
	A	E	F	A	E	F
CTH2D-40	14	18	18	36	46	46
CTH2D-60	14	18	18	36	46	46
CTH2D-80	20	24	18	51	61	46
CTH2D-100	20	24	18	51	61	46
CTH2D-125	20	24	18	51	61	46
CTH2D-150	20	30	18	51	77	46
CTH2D-175	20	30	18	51	77	46

SECTION 4: NATIONAL STANDARDS AND APPLICABLE CODES

4.1 Gas Codes

The type of gas appearing on the nameplate must be the type of gas used. Installation must comply with national and local codes and requirements of the local gas company.

United States: Refer to National Fuel Gas Code NFPA 54/ANSI Z223.1 - latest revision.

Canada: Refer to Natural Gas and Propane Installation Code CSA B149.1 - latest revision.

4.2 Aircraft Hangars

Installation in aircraft hangars must be in accordance with the following codes:

United States: Refer to Standard for Aircraft Hangars, NFPA 409 - latest revision.

Canada: Refer to Natural Gas and Propane Installation Code CSA B149.1 - latest revision.

In aircraft storage and servicing areas, heaters shall be installed at least 10' (3 m) above the upper surface of wings or of engine enclosures of the highest aircraft which may be housed in the hangar. The measurement shall be made from the wing or engine enclosure (whichever is higher from the floor) to the bottom of the heater.

- In shops, offices and other sections of aircraft hangars communicating with aircraft storage or servicing areas, heaters shall be installed not less than 8' (2.4 m) above the floor.
- Suspended or elevated heaters shall be so located in all spaces of aircraft hangars that they shall not be subject to injury by aircraft, cranes, movable scaffolding or other objects. Provisions shall be made to assure accessibility to suspended heaters for recurrent maintenance purposes.

4.3 Public Garages

Installation in garages must be in accordance with the following codes:

United States: Refer to Standard for Parking Structures NFPA 88A - latest revision or the Code for Motor Fuel Dispensing Facilities and Repair Garages, NFPA 30A - latest revision.
Canada: Refer to Natural Gas and Propane Installation Code CSA B149.1 - latest revision.

- Heaters must not be installed less than 8' (2.4 m) above the floor. Minimum clearances to combustibles must be maintained from vehicles parked below the heater.
- When installed over hoists, minimum clearances to combustibles must be maintained from the upper most point of objects on the hoist.

4.4 Electrical

The heater must be electrically grounded in accordance with the following codes:

United States: Refer to National Electrical Code®, NFPA 70 - latest revision. Wiring must conform to the most current National Electrical Code®, local ordinances and any special diagrams furnished.

Canada: Refer to Canadian Electrical Code, CSA C22.1 Part 1 - latest revision.

4.5 Venting

The venting must be installed in accordance with the requirements within this manual and the following codes:

United States: Refer to National Fuel Gas Code NFPA 54/ANSI Z223.1 - latest revision.

Canada: Refer to Natural Gas and Propane Installation Code CSA B149.1 - latest revision.

4.6 High Altitude

These heaters are approved for installations up to 2000' (610 m)(US), 4500' (1370 m)(Canada) without modification. Consult factory if US installation is above 2000' (610 m) or Canadian installation is above 4500' (1370 m).

SECTION 5: MAJOR COMPONENTS

FIGURE 13: Major Component Descriptions - Standard Reflector

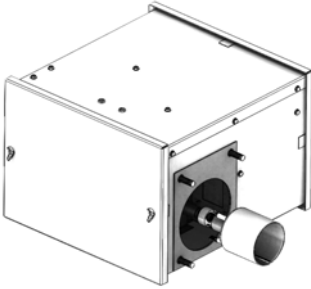
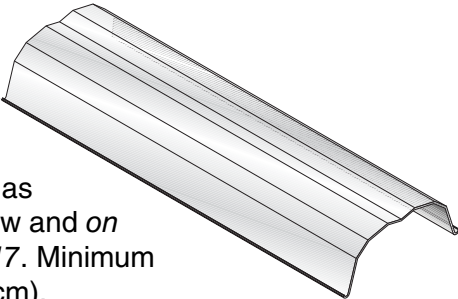
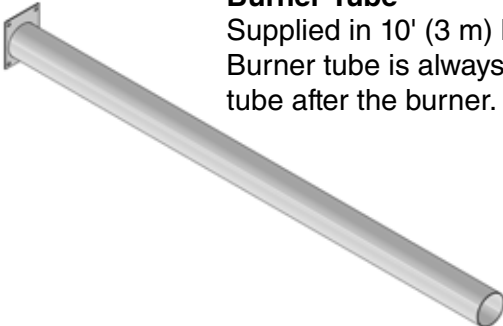
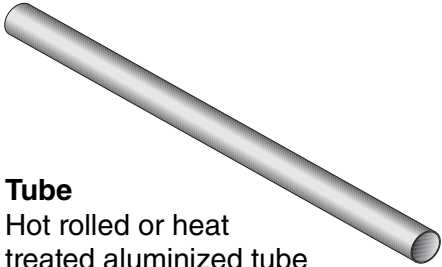

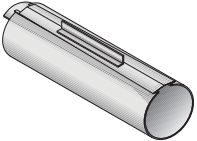
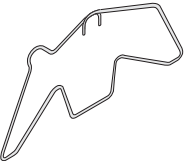
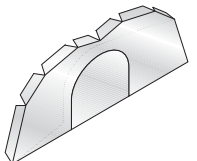
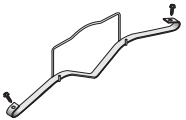
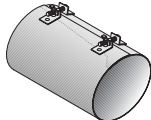
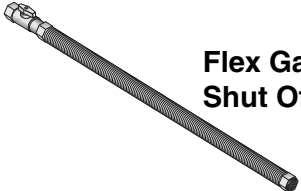
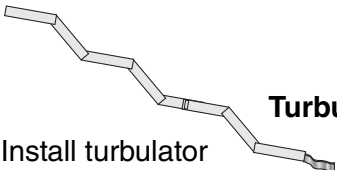
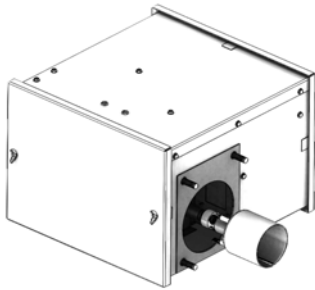
	<p>Burner with Tube Gasket Must be installed with the flame observation window facing down.</p>	<p>Standard Reflector (Aluminum or Stainless Steel)</p>	
	<p>Burner Tube Supplied in 10' (3 m) lengths. Burner tube is always the first tube after the burner.</p>		<p>Tube Hot rolled or heat treated aluminized tube supplied in 10' (3 m) lengths.</p>
	<p>Tube and Reflector Hanger with Clamp Package Position this hanger no more than 4" (10 cm) away from the burner.</p>		<p>Coupling Assembly with Lock</p>
	<p>Tube and Reflector Hanger Suspend system from these hangers.</p>		<p>Reflector End Cap Punch out center section to accommodate tube.</p>
	<p>Reflector Support Strap & Wire Form</p>		<p>Vent Adapter</p>
	<p>Flex Gas Line with Shut Off Cock</p>		<p>Turbulator Install turbulator as specified in the "Turbulator Installation" chart. See Page 22, Step 6.4. Turbulator is not required on the CTH2D-175.</p>

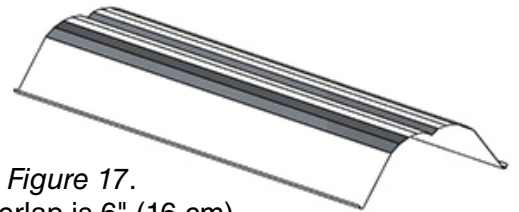
FIGURE 14: Major Component Descriptions - High Efficiency Reflector

Burner with Tube Gasket

Must be installed with the flame observation window facing down.

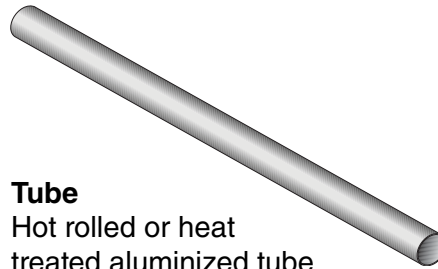
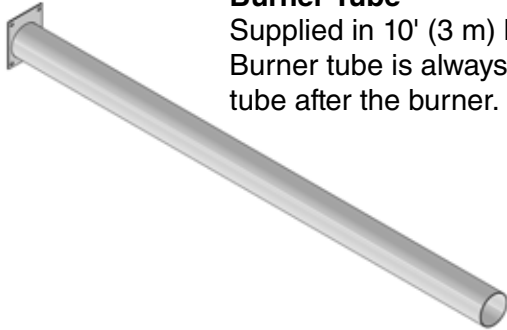
High Efficiency Reflector (Aluminum or Stainless Steel)

Alternate overlap as shown on overview and on Page 18, Figure 17. Minimum overlap is 6" (16 cm).



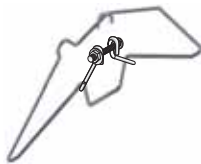
Burner Tube

Supplied in 10' (3 m) lengths. Burner tube is always the first tube after the burner.



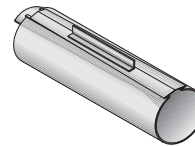
Tube

Hot rolled or heat treated aluminized tube supplied in 10' (3 m) lengths.



Tube and Reflector Hanger with Clamp Package-EF

Position this hanger no more than 4" (10 cm) away from the burner.

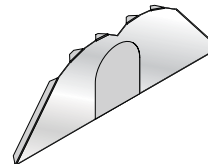


Coupling Assembly with Lock



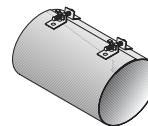
Tube and Reflector Hanger-EF

Suspend system from these hangers.

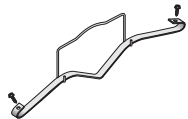


Reflector End Cap-EF

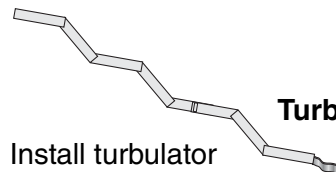
Punch out center section to accommodate tube.



Vent Adapter

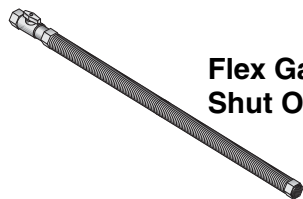


Reflector Support Strap & Wire Form



Turbulator

Install turbulator as specified in the "Turbulator Installation" chart. See Page 22, Step 6.4. Turbulator is not required on the CTH2D-175.



Flex Gas Line with Shut Off Cock

5.1 Standard Parts List

Table 1: Contents of the Burner Carton

Part No.	Description	CTH2D-40	CTH2D-60	CTH2D-80	CTH2D-100	CTH2D-125	CTH2D-150	CTH2D-175
036XXXXX	Burner Assembly (Rate and Fuel Varies)	1	1	1	1	1	1	1
92700025	Gasket (Burner to Burner Tube)	1	1	1	1	1	1	1
036100NA	Installation, Operation and Service Manual	1	1	1	1	1	1	1
92113900	Hex Head Nuts 5/16" - 18 Rolok	4	4	4	4	4	4	4
96411600	Split Lock washer	4	4	4	4	4	4	4
91201708	Pipe Nipple (Black) 1/2" NPT x 4"	1	1	1	1	1	1	1
91317300	1/4" Quick Disconnect (Wire)	2	2	2	2	2	2	2
*91412200	Flexible Stainless Steel Gas Hose - 1/2" NPT (US Models Only)	1	1	1	1	1		
*91412204	Flexible Stainless Steel Gas Hose - 3/4" NPT (US Models Only)	-	-	-	-	-	1	1
03051503	Turbulator Adapter	1	1	1	1	1	1	-
03051504	Turbulator Aluminized Steel	3	4	5	4	2	1	-
03051505	Turbulator Stainless Steel	1	-	-	-	-	-	-

*Canadian Models: Rubber (Type 1) Gas Hoses available as an accessory. See Page 42, Section 9.

Table 2: Contents of Standard Core and Extension Packages

Part No.	Description	Core Packages								Extension Packages							
		Hot Rolled			Aluminized				Hot Rolled				Aluminized				
		20' (6m)	30' (9m)	40' (12m)	10' (3m)	20' (6m)	30' (9m)	40' (12m)	10' (3m)	20' (6m)	30' (9m)	40' (12m)	10' (3m)	20' (6m)	30' (9m)	40' (12m)	
91409300	Tube, Hot Rolled Steel, 10' (3 m)	1	2	3	-	-	-	-	1	2	3	4	-	-	-	-	
91409408	Tube, HT Aluminized, 10' (3 m)	-	-	-	-	1	2	3	-	-	-	-	1	2	3	4	
03051105	Burner Tube ST, ALUMI-THERM® Steel, 10' (3 m)	-	1	1	-	-	1	1	-	-	-	-	-	-	-	-	
03051605	Burner Tube ST, HT ALUMI-THERM® Steel, 10' (3 m)	1	-	-	1	1	-	-	-	-	-	-	-	-	-	-	
01312700	Coupling Assembly	1	2	3	-	1	2	3	1	2	3	4	1	2	3	4	
02750303	Standard Reflector, 8' (3.5 m)	3	4	6	2	3	4	6	2	3	4	6	2	3	4	6	
02750800	End Cap	2	2	2	2	2	2	2	-	-	-	-	-	-	-	-	
03090100	Tube and Reflector Hanger	3	4	5	2	3	4	5	1	2	3	4	1	2	3	4	
91907302	S-Hook	3	4	5	2	3	4	5	1	2	3	4	1	2	3	4	
03050010	Reflector Support Package (Strap, Wire Form, Screws)	2	3	5	1	2	3	5	2	3	4	6	2	3	4	6	
91107720	U-Clip Package	1	1	1	1	1	1	1	1	1	1	1	1	1	1	1	
90502700	Vent Adapter	1	1	1	1	1	1	1	-	-	-	-	-	-	-	-	
01318901	Tube Clamp Package	1	1	1	1	1	1	1	-	-	-	-	-	-	-	-	
	Part Number	CPST20HRS	CPST30HRS	CPST40HRS	CPST10ALUM	CPST20ALUM	CPST30ALUM	CPST40ALUM	EXP10HRS	EXP20HRS	EXP30HRS	EXP40HRS	EXP10ALUM	EXP20ALUM	EXP30ALUM	EXP40ALUM	

Table 3: Contents of High Efficiency Core and Extension Packages

Part No.	Description	Core Packages								Extension Packages							
		Hot Rolled			Aluminized				Hot Rolled				Aluminized				
		20' (6m)	30' (9m)	40' (12m)	10' (3m)	20' (6m)	30' (9m)	40' (12m)	10' (3m)	20' (6m)	30' (9m)	40' (12m)	10' (3m)	20' (6m)	30' (9m)	40' (12m)	
91409300	Tube, Hot Rolled Steel, 10' (3 m)	1	2	3	-	-	-	-	1	2	3	4	-	-	-	-	
91409408	Tube, HT Aluminized, 10' (3 m)	-	-	-	-	1	2	3	-	-	-	-	1	2	3	4	
03051105	Burner Tube ST, ALUMI-THERM® Steel, 10' (3 m)	-	1	1	-	-	1	1	-	-	-	-	-	-	-	-	
03051605	Burner Tube ST, HT ALUMI-THERM® Steel, 10' (3 m)	1	-	-	1	1	-	-	-	-	-	-	-	-	-	-	
01312700	Coupling Assembly	1	2	3	-	1	2	3	1	2	3	4	1	2	3	4	
02750313	High Efficiency Reflector, 8' (3.5 m)	3	4	6	2	3	4	6	2	3	4	6	2	3	4	6	
02750802	End Cap, High Efficiency	2	2	2	2	2	2	2	-	-	-	-	-	-	-	-	
03090102	Tube and Reflector Hanger, High Efficiency	3	4	5	2	3	4	5	1	2	3	4	1	2	3	4	
91907302	S-Hook	3	4	5	2	3	4	5	1	2	3	4	1	2	3	4	
03050012	Reflector Support Package (Strap, Wire Form, Screws)	2	3	5	1	2	3	5	2	3	4	6	2	3	4	6	
91107720	U-Clip Package	1	1	1	1	1	1	1	1	1	1	1	1	1	1	1	
90502700	Vent Adapter	1	1	1	1	1	1	1	-	-	-	-	-	-	-	-	
01318902	Tube Clamp Package - EF	1	1	1	1	1	1	1	-	-	-	-	-	-	-	-	
	Part Number	CPST20HRSEF	CPST30HRSEF	CPST40HRSEF	CPST10ALUMEF	CPST20ALUMEF	CPST30ALUMEF	CPST40ALUMEF	EXP10HRSEF	EXP20HRSEF	EXP30HRSEF	EXP40HRSEF	EXP10ALUMEF	EXP20ALUMEF	EXP30ALUMEF	EXP40ALUMEF	

Table 4: Component Package Guide

Model	Tubing Length	Standard Core Packages	
	Minimum	Hot Rolled Steel	Aluminized
CTH2D-40	10' (3m)	-	CPST10ALUM
CTH2D-60	20' (6m)	CPST20HRS	CPST20ALUM
CTH2D-80	20' (6m)	CPST20HRS	CPST20ALUM
CTH2D-100	30' (9m)	CPST30HRS	CPST30ALUM
CTH2D-125	40' (12m)	CPST40HRS	CPST40ALUM
CTH2D-150	50' (15m)	CPST30HRS + EXP20HRS	CPST30ALUM + EXP20ALUM
CTH2D-175	60' (18m)	CPST30HRS + EXP30HRS	CPST30ALUM + EXP30ALUM

Table 5: Component Package Guide

Model	Tubing Length	High Efficiency Core Packages	
	Minimum	Hot Rolled Steel	Aluminized
CTH2D-40	10' (3m)	-	CPST10ALUMEF
CTH2D-60	20' (6m)	CPST20HRSEF	CPST20ALUMEF
CTH2D-80	20' (6m)	CPST20HRSEF	CPST20ALUMEF
CTH2D-100	30' (9m)	CPST30HRSEF	CPST30ALUMEF
CTH2D-125	40' (12m)	CPST40HRSEF	CPST40ALUMEF
CTH2D-150	50' (15m)	CPST30HRSEF + EXP20HRSEF	CPST30ALUMEF + EXP20ALUMEF
CTH2D-175	60' (18m)	CPST30HRSEF + EXP30HRSEF	CPST30ALUMEF + EXP30ALUMEF

Additional tubing length may be added to heater. Tubing must be heat-treated, aluminized or porcelain coated. Any additional tubing lengths are considered as vent length for length determination. Maximum venting length for minimum heater length is 45' (13.7 m) total.

SECTION 6: HEATER INSTALLATION**⚠ WARNING****Severe Injury Hazard**

Secure burner to burner tube with bolts and lockwashers.

Hang heater with materials with a minimum working load of 75 lbs (33 kg).

Failure to follow these instructions can result in death, injury or property damage.

Typical installation configurations are shown in *Figure 15*.

Expansion and contraction of the tube dictates that the minimum suspension lengths in the table on *Page 16, Figure 15* be maintained.

⚠ WARNING**Cut/Pinch Hazard**

Wear protective gear during installation, operation and service.

Edges are sharp.

Failure to follow these instructions can result in injury.

To ensure your safety, and comply with the terms of the warranty, all units must be installed in accordance with these instructions.

The gas or the electrical supply lines must not be used to support the heater.

Do not locate the gas or electric supply lines directly over the path of the flue products from the heater.

The heater must be installed in a location that is readily accessible for servicing.

The heaters must be installed in accordance with clearances to combustibles as indicated on the rating plate and in this instruction manual.

The minimum and maximum gas inlet pressures must be maintained as indicated on the rating plate.

FIGURE 15: Critical Hanger Placement

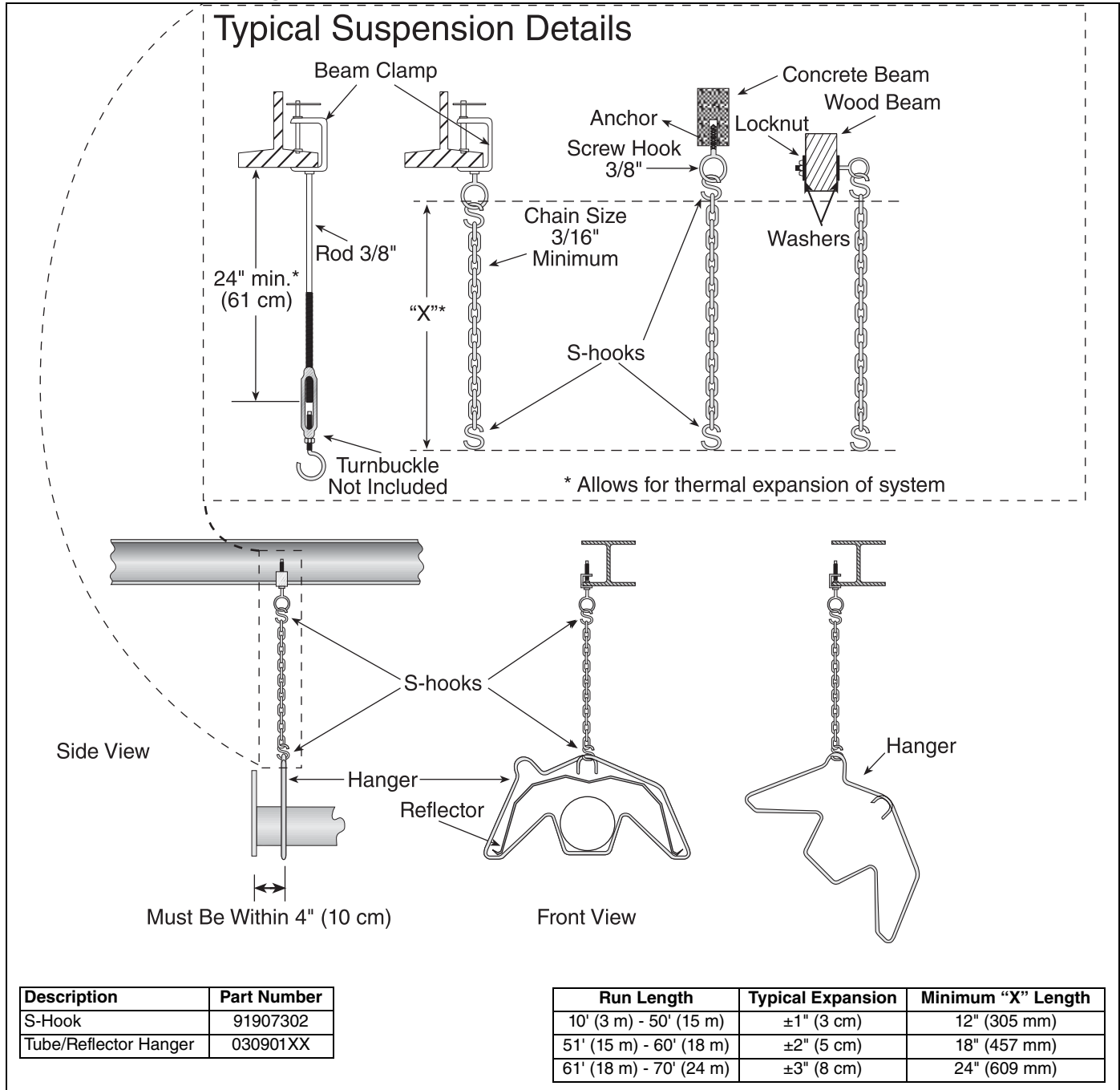


FIGURE 16: Linear Heater Assembly Overview

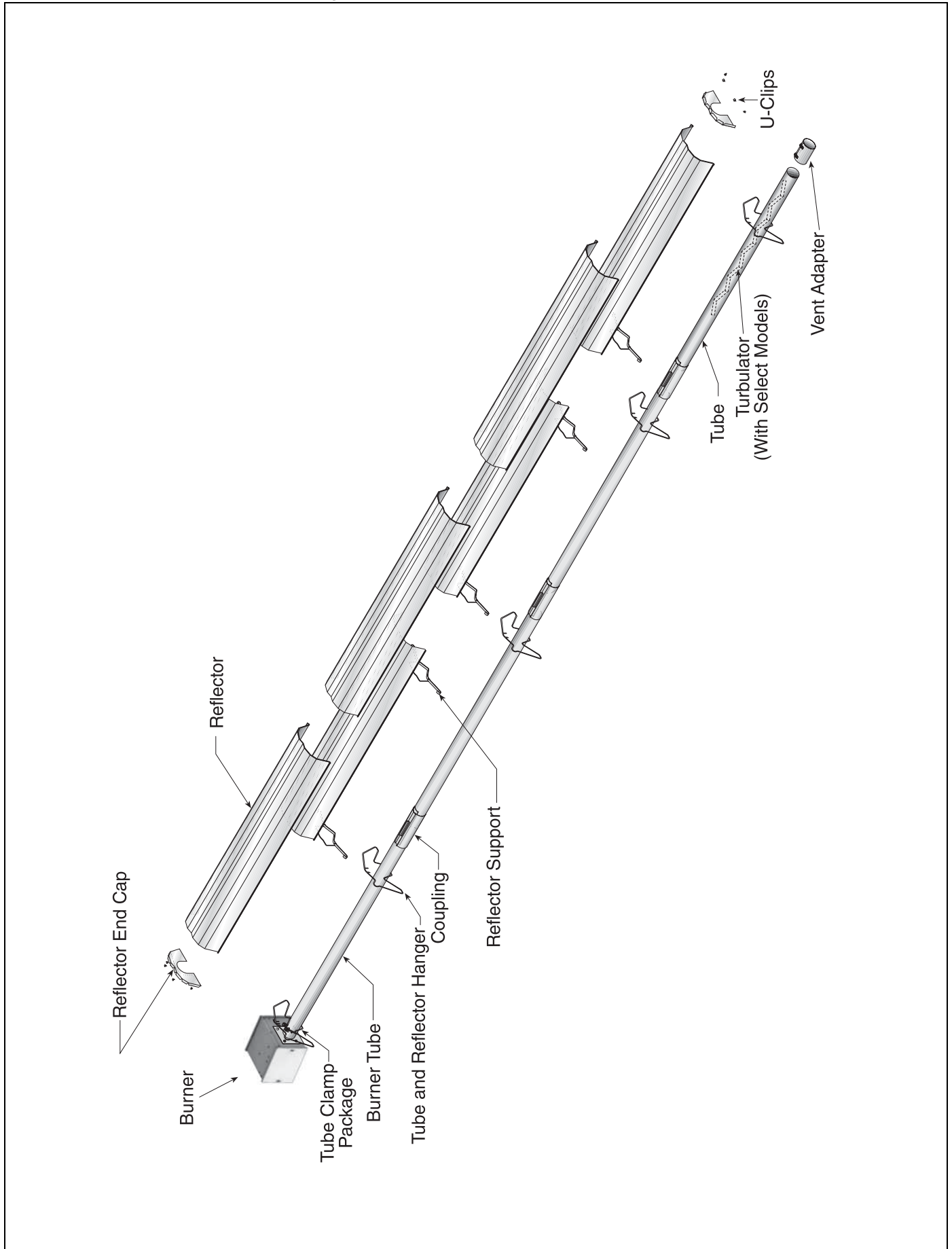








FIGURE 17: Linear Heater Layout Overview

LEGEND	
	Burner
	Reflector
	Tube
	Tube/Reflector Hanger
	Coupling Assembly
	Vent Adapter
<p>a = 14" (36 cm) reflector width (not shown)</p> <p>b = 2" (5 cm) end cap to burner</p> <p>c = 2" (5 cm) end cap to hanger</p> <p>d = 7'6" (229 cm) distance first hanger</p> <p>e = 10' (305 cm) distance between hangers</p> <p>f = 9.5" (24 cm) burner height</p> <p>g = 11.5" (29.2 cm) burner length</p>	

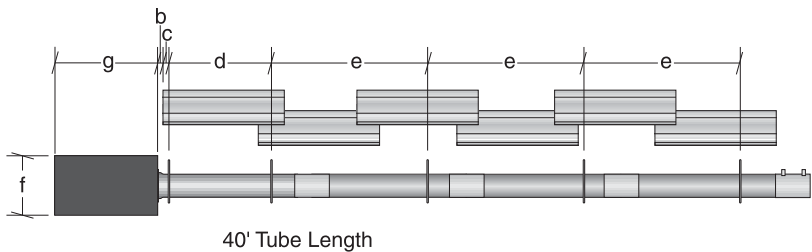
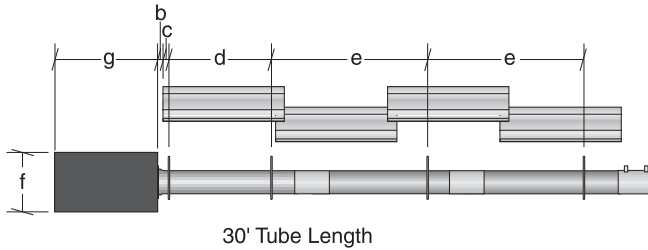
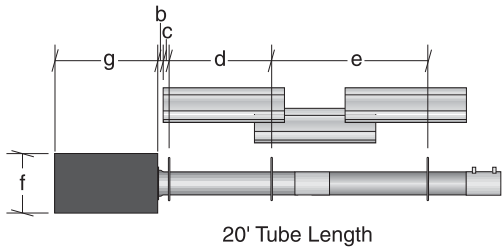
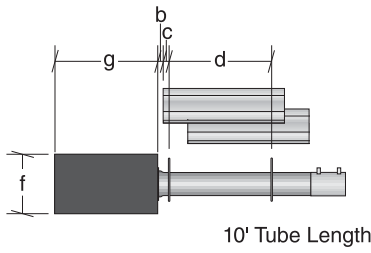
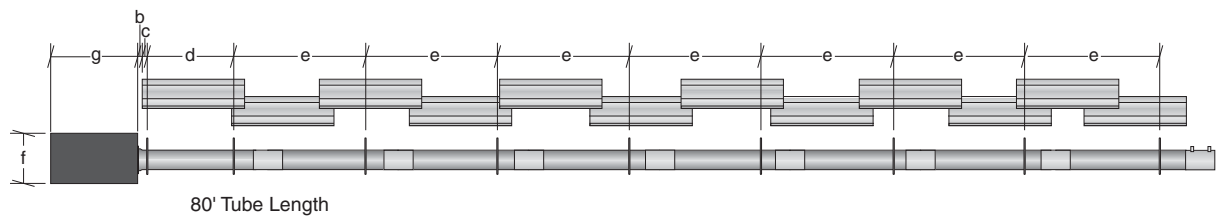
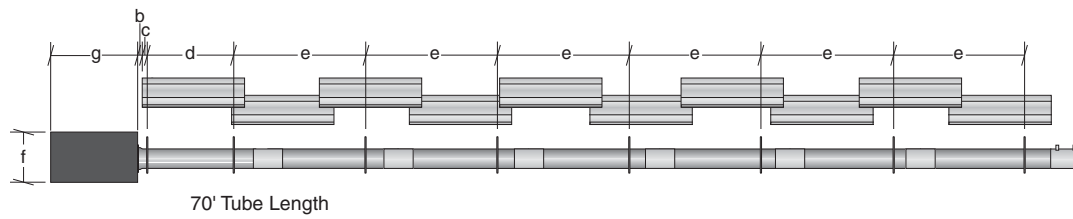
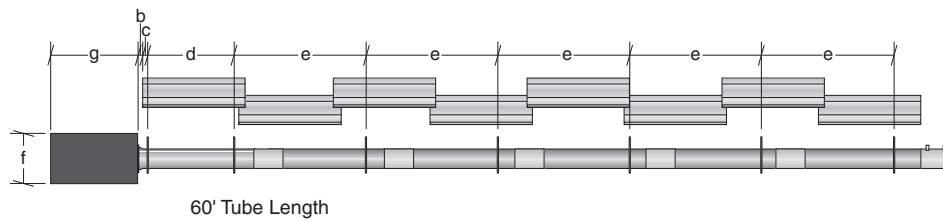
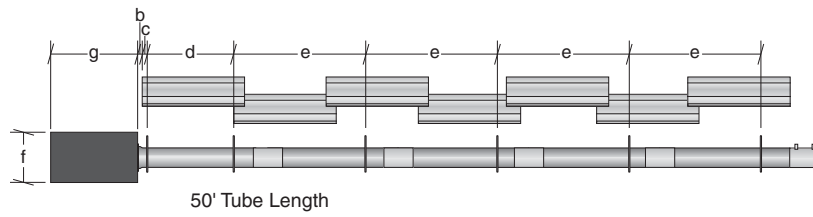


FIGURE 18: Linear Heater Layout Overview (Continued)



Step 6.1 Burner Tube Installation

NOTE:
 Tubing requires a downward slope of 1/2" (13 mm) per 20' (6 m) away from burner.

Description	Part Number
Burner Tube	03051XXX
S-Hook	91907302
Tube/Reflector Hanger	030901XX

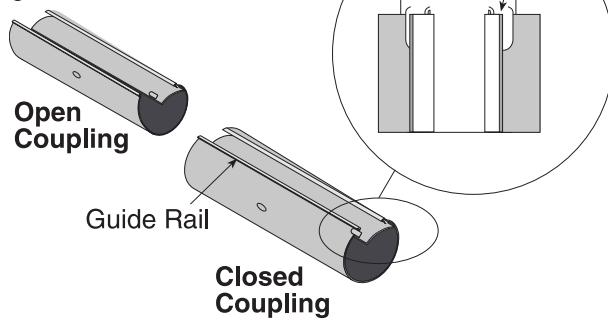
Step 6.2 Tube Clamp Package Installation

Description	Part Number
Tube Clamp Package	013189XX

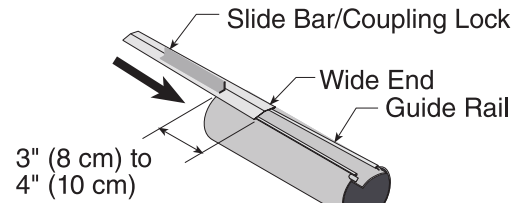
Nut
 (Torque 120 in/lb
 13.56 Nm)

Step 6.3 Coupling and Tube Assembly

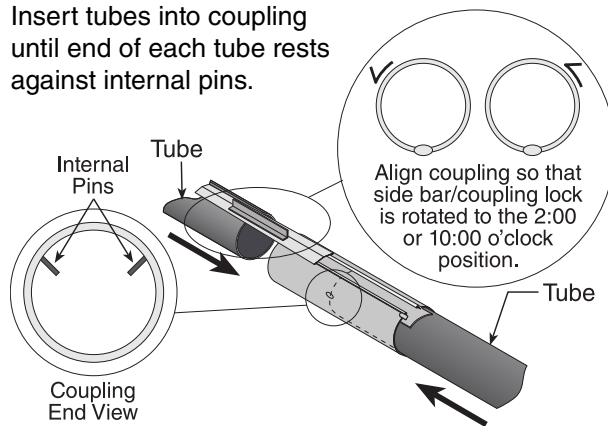
A Close coupling and slide opposite end into tab. Position tab underneath guide rail.



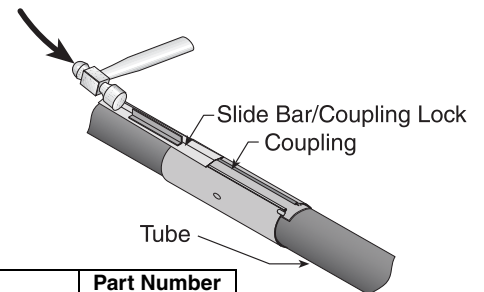
B Insert wide end of slide bar/coupling lock into guide rail on opposite end of tabs. Slide the slide bar/coupling lock up the guide rail until snug (approximately 3" (8 cm) to 4" (10 cm)).



C Insert tubes into coupling until end of each tube rests against internal pins.



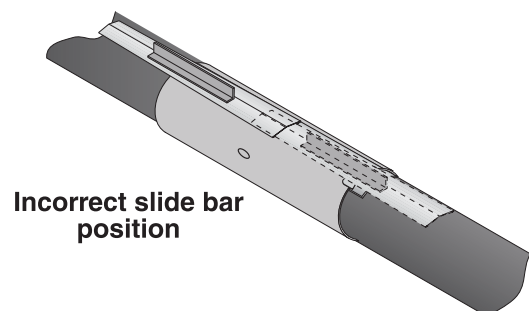
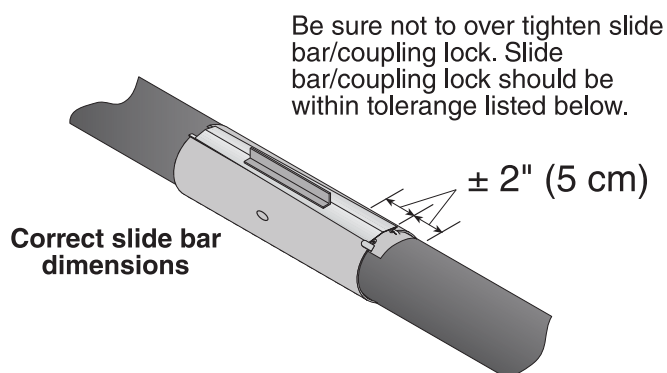
D Strike slide bar/coupling lock with mallet or hammer until tight.



Description	Part Number
Coupling	01329600
Slide Bar/Coupling Lock	01329700
Tube	91409XXX

Step 6.3.1 Coupling and Tube Assembly (Continued)

Tighten slide bar as shown below.



• Repeat Step 6.3 A - D until all tubes are assembled. See Page 22, Section 6.3.2.

Step 6.3.2 Coupling and Tube Assembly (Continued)

The diagram illustrates the assembly of a long tube. It shows a main tube with a smaller diameter section in the middle. Dimensions are provided for the sections: $7' 6'' \pm 1'$ (229 cm \pm 25 cm) for the first section and $10' \pm 1'$ (305 cm \pm 25 cm) for the second section. The total overall tube length is indicated by a dimension line at the bottom.

Model	Tube Length Minimum
CTH2D-40	10' (3 m)
CTH2D-60	20' (6 m)
CTH2D-80	20' (6 m)
CTH2D-100	30' (9 m)
CTH2D-125	40' 12 m)
CTH2D-150	50' (15 m)
CTH2D-175	60' (18 m)

Step 6.4 Turbulator Installation

The diagram shows a turbulator section being installed onto a tube. A turbulator adapter is used to connect the turbulator section to the tube. A tab is shown being folded around the outside of the tube to hold the turbulator in place. A pull string is used to pull the turbulator section into the tube. A circular inset shows a close-up of the tab being twisted around the tube.

Install turbulator as specified in the "Turbulator Installation" charge below. Turbulator is not required on the CTH2D-175.

Turbulator Installation	
Model	Tube Section
CTH2D-40	1st 10' Section
CTH2D-60	2nd 10' Section
CTH2D-80	2nd 10' Section
CTH2D-100	3rd 10' Section
CTH2D-125	4th 10' Section
CTH2D-150	5th 10' Section
CTH2D-175	N/A

Turbulator Section (stainless) used in CTH2D-40 heaters must be in the section of tube nearest to the burner.

Fold tab around outside of tube nearest to the vent to hold turbulator in place. Where a vent sleeve is used, do not fold tab.

Description	Part Number
Turbulator Adapter	03051503
Turbulator Section	03051504
Turbulator Section (stainless)	03051505
Tube	91409XXX

Step 6.5 Reflector Installation

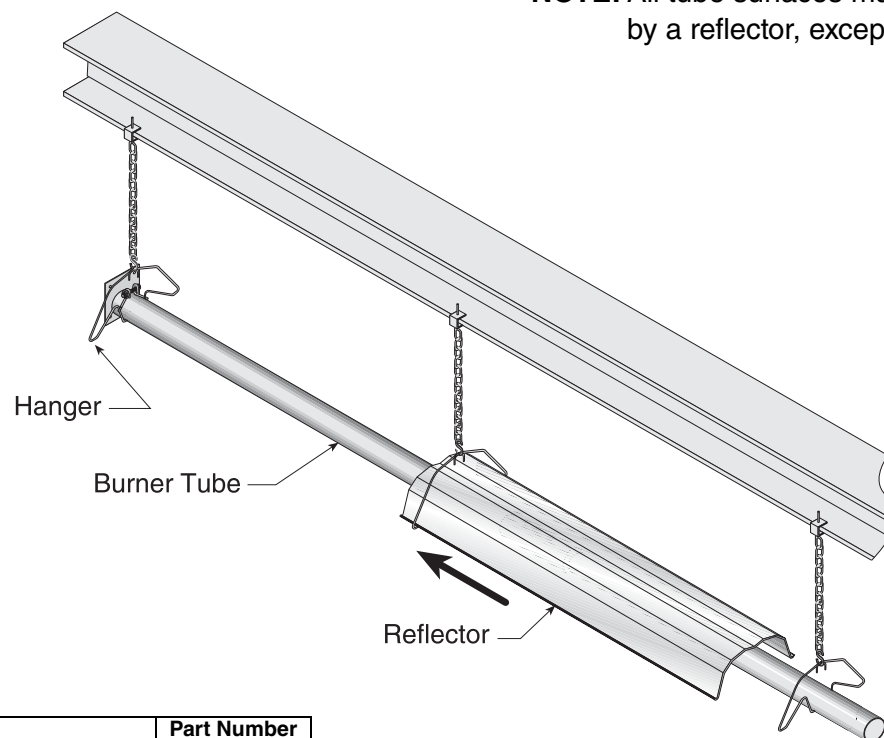
⚠ WARNING**Fire Hazard**

Support reflector with reflector hanger and support strap.

Reflector must not touch tube.

Failure to follow these instructions can result in death, injury or property damage.

NOTE: All tube surfaces must be covered by a reflector, except for a U-Tube.



Description	Part Number
Tube/Reflector Hanger	030901XX
Burner Tube	03051XXX
Reflector - 96" (244cm)	027503XX

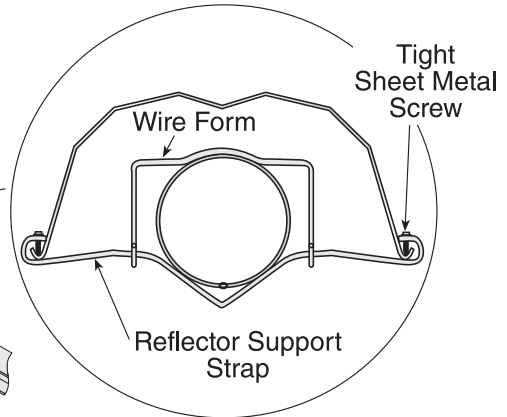
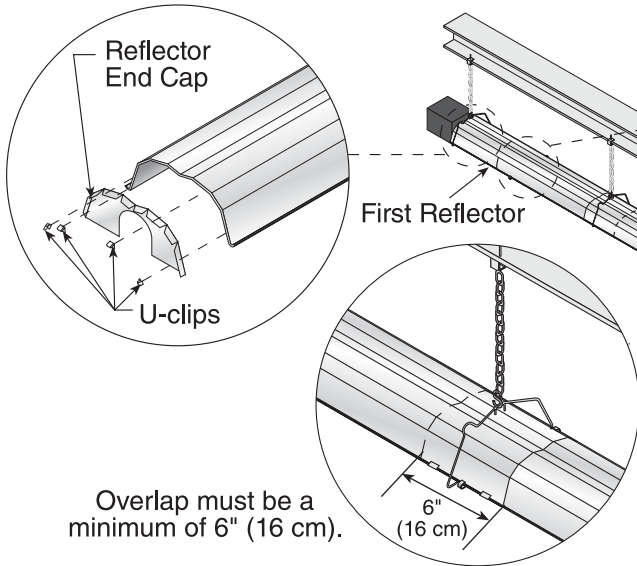
Step 6.5.1 Reflector, U-Clip and Reflector Support Installation

The pictorial drawings of the heater construction in Section 6 are schematic only and provide a general guideline of where hangers, reflector supports and U-clips are to be installed.

tor supports and U-clips depends on the individual installation. Use either pop rivets or sheet metal screws instead of u-clips when installing end caps and joint pieces in areas where impact and high wind may be a factor. The following rules must be observed.

To ensure proper expansion and contraction movement of the reflectors, a combination of U-clips and reflector supports are used. The positioning of reflector

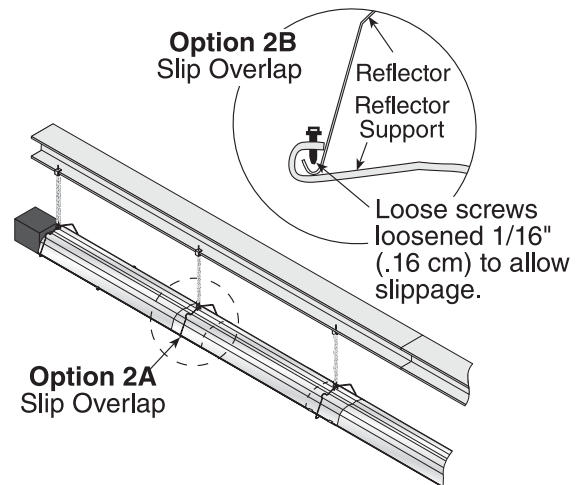
1. The first reflector after the burner must be affixed in the middle of the reflector with a reflector support and tight screws.



2. The overlap at the first and second reflector is a **slip overlap**. Thereafter, every third reflector joint is a slip overlap. A slip overlap is achieved by either:
 - a.) both reflectors lay inside a hanger.

(No reflector support needed.)

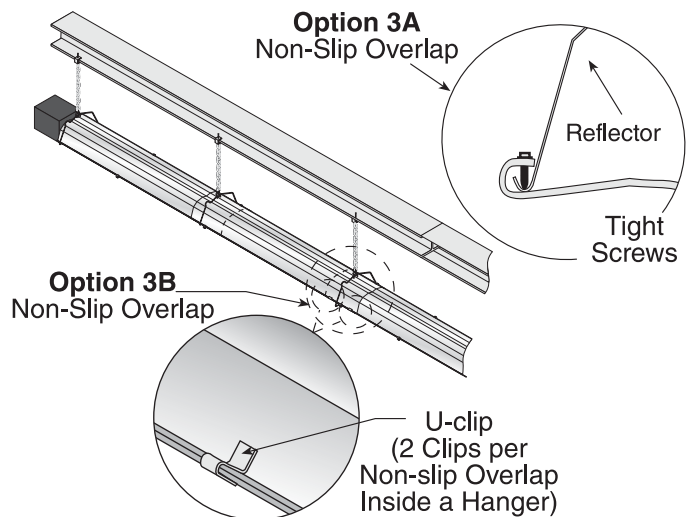
- b.) using a reflector support with loose screws at the reflector overlap.



3. The remaining reflector overlaps require a **non-slip overlap** connection. To affix the reflectors together in a non-slip overlap either:
 - a.) use reflector support and tight screws.

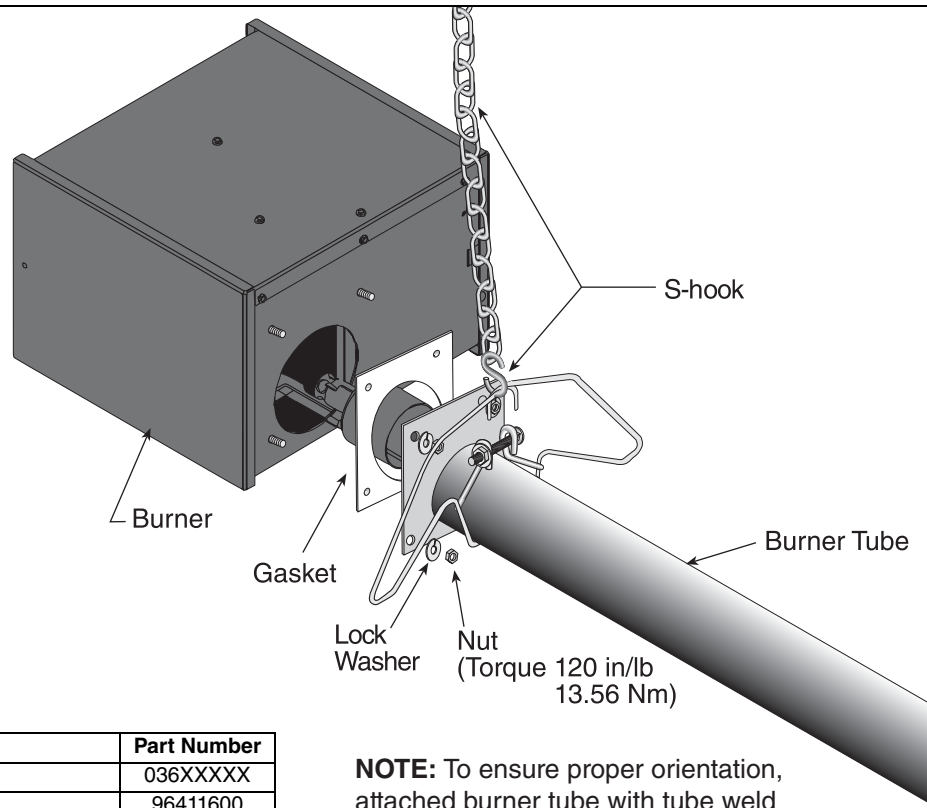
- b.) if both reflectors lay inside a hanger, u-clips or sheet metal screws may be used.

This section of three reflectors joined together must be affixed to the tube with at least one reflector support with tight screws.



Description	Part Number
Reflector Support Package	030500XX
Wire Form	91908004
Reflector Support Strap	0305000X
Screw #8 x 3/4	94320812
U-Clip Package	91107720
Reflector End Cap	027508XX

Step 6.6 Burner Installation



Description	Part Number
Burner	036XXXXX
Lock Washer	96411600
Gasket	02568200

NOTE: To ensure proper orientation, attached burner tube with tube weld facing downward

SECTION 7: OPTIONAL HEATER ACCESSORIES**! WARNING****Cut/Pinch Hazard**

Wear protective gear during installation, operation and service.

Edges are sharp.

Failure to follow these instructions can result in injury.

7.1 U-Tube Configuration

Heaters (except CTH2D-40) are approved for optional U-Tube configurations.

The U-Tube may be installed in either a standard horizontal position, a 45° position or in an opposite 45° position as shown on *Page 7, Figure 7 through Figure 9*. When using a U-Tube configuration, the following additional rules must be adhered to:

- A minimum of 10' (3 m) on CTH2D-60/80 and a minimum of 15' (4.5 m) on CTH2D-100/125/150/175 is required between the burner and the U-Tube.
- The correct turbulator (*See Page 22, Figure 6.4*) must be installed in the last standard section of tube.
- The burner must never be operated in a tilted position.
- The heater must be properly supported at all locations. *See Page 28, Figure 20.*

FIGURE 19: U-Tube Heater Assembly Overview

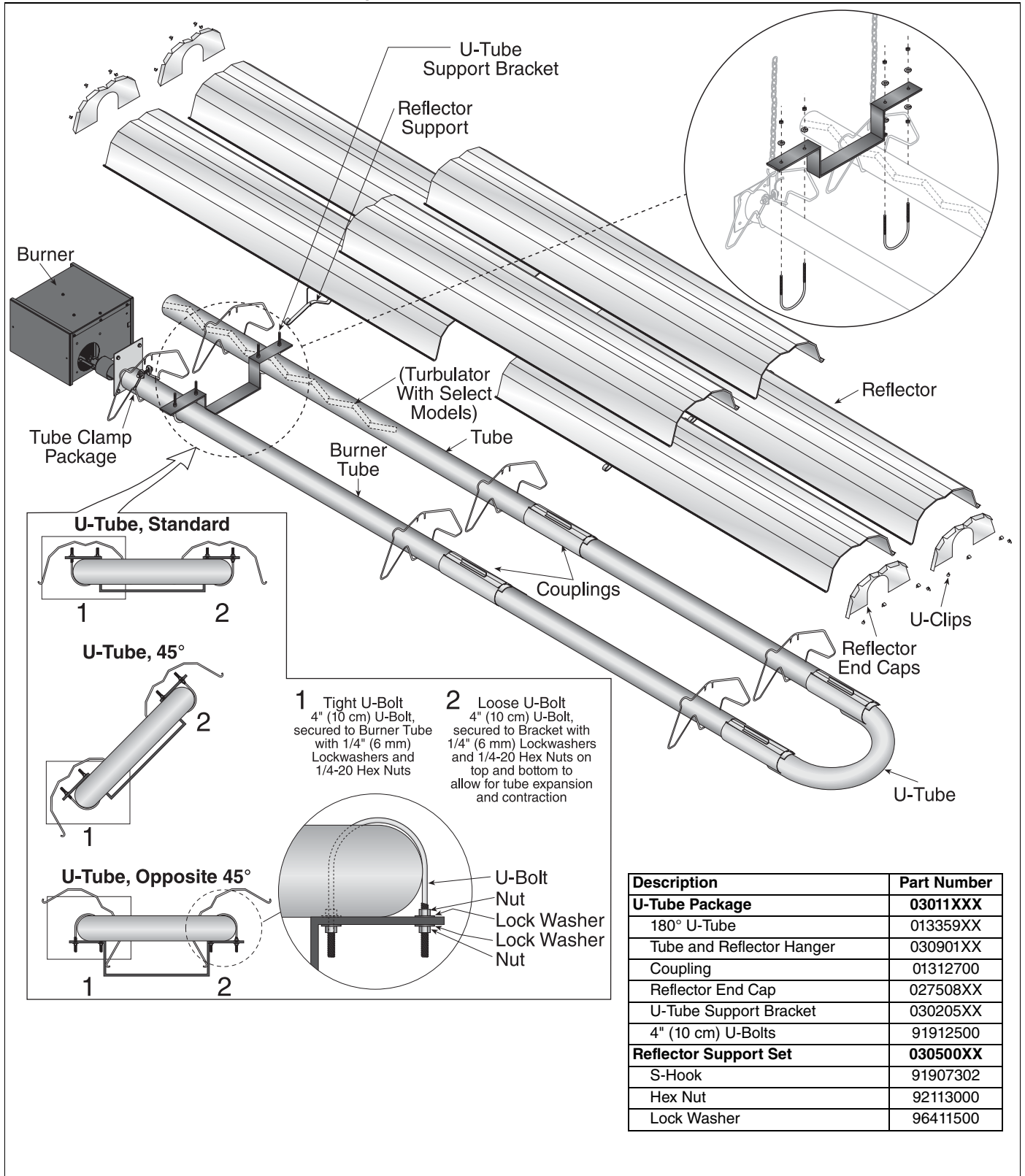









FIGURE 20: U-Tube Heater Layout Overview

LEGEND	
	Burner
	Reflector
	Tube 10'
	Tube 5' **
	Tube/Reflector Hanger
	Coupling Assembly
	U-Tube

a = 14" (36 cm)
reflector width (not shown)

b = 2" (5 cm)
end cap to burner

c = 2" (5 cm)
end cap to hanger

d = 7'6" (229 cm)
distance first hanger

e = 10' (305 cm)
distance between hangers

f = 5' (153 cm)
distance between last full tube hanger and half tube hanger

g = 11.5" (29.2 cm)
burner length

h = 9.5" (24 cm)
burner height

*Requires the last **reflector** before the U-Tube to be cut in half for use on both sides.

Requires the last **tube before the U-Tube to be cut in half for use on both sides.

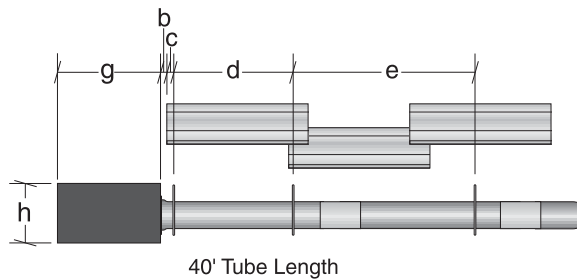
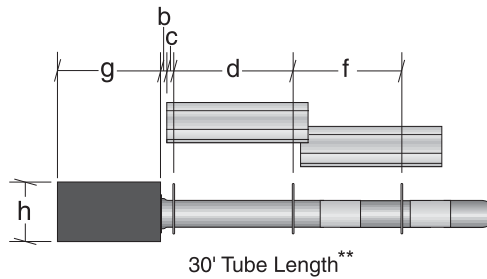
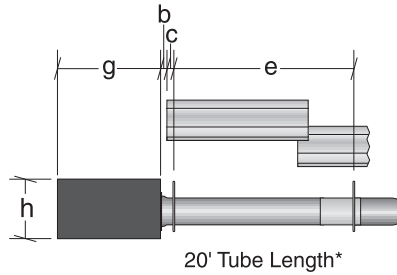
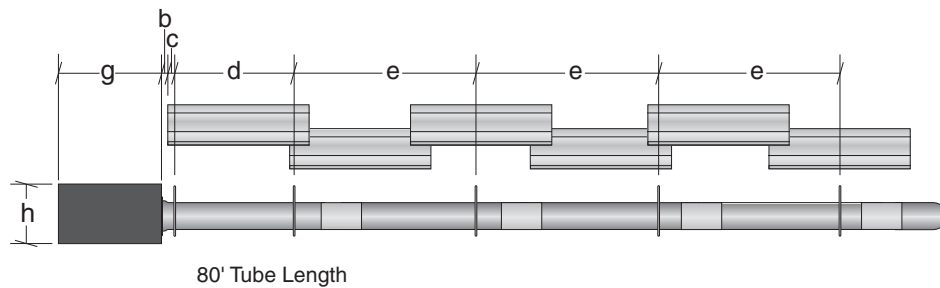
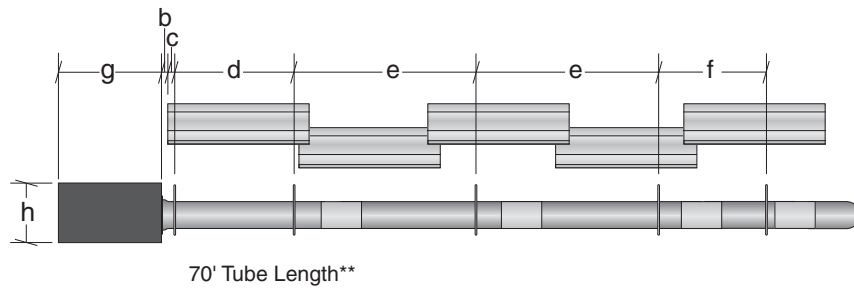
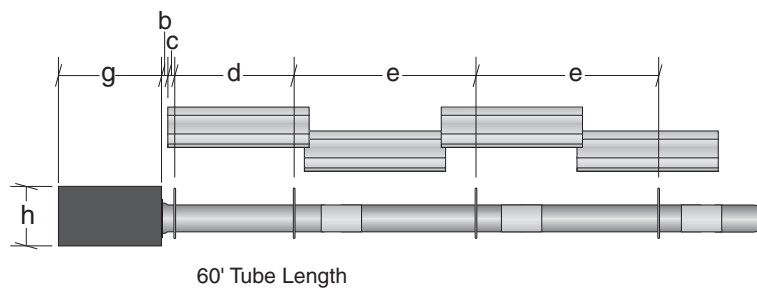
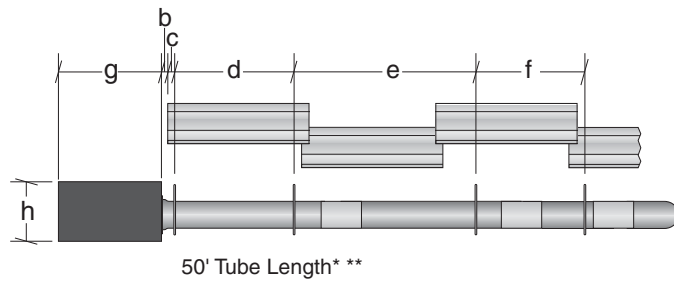


FIGURE 21: U-Tube Heater Layout Overview (Continued)



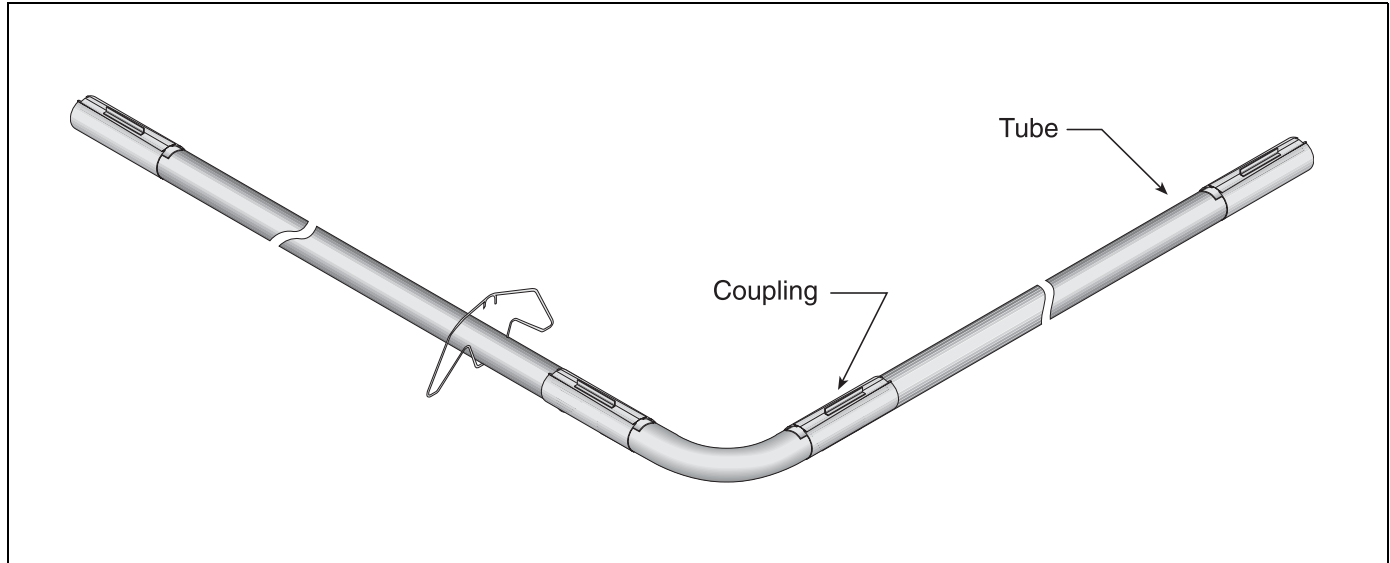
7.2 Elbow Package Configuration

Step 7.2.1 Elbow Installation

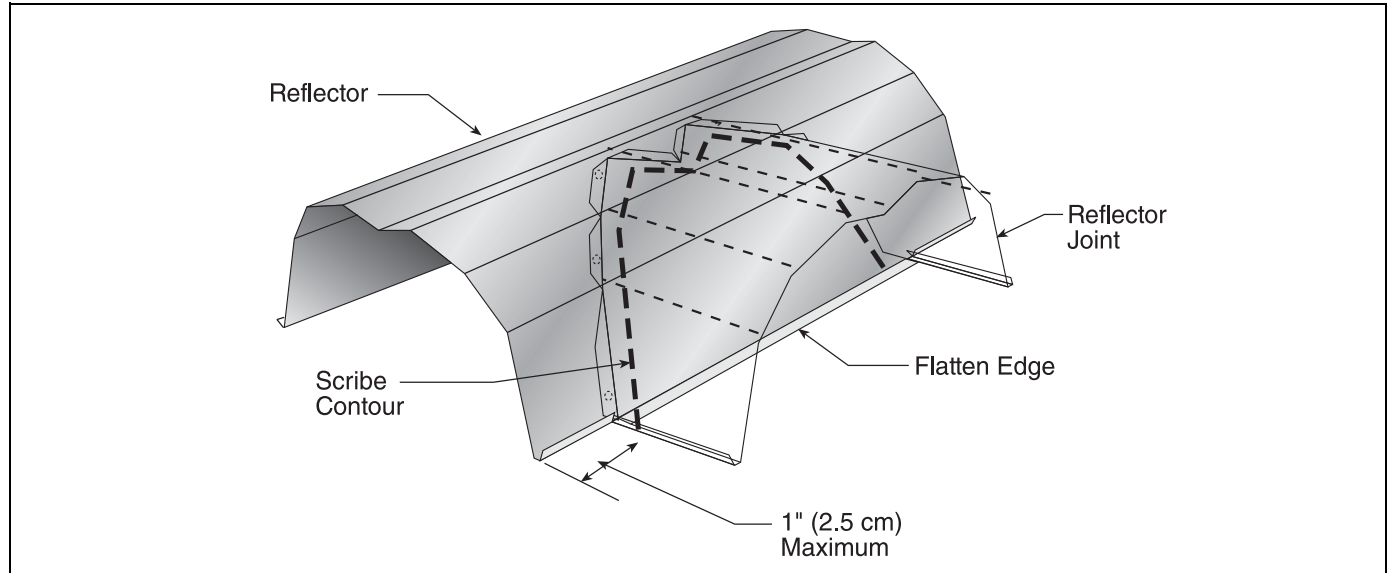
Description	Part Number
Elbow Package	027187XX
90° Elbow	01335801
Coupling	01312700
Reflector End Cap	0275080X
Reflector Joint Piece	0275090X
U-Clip Package	91107720

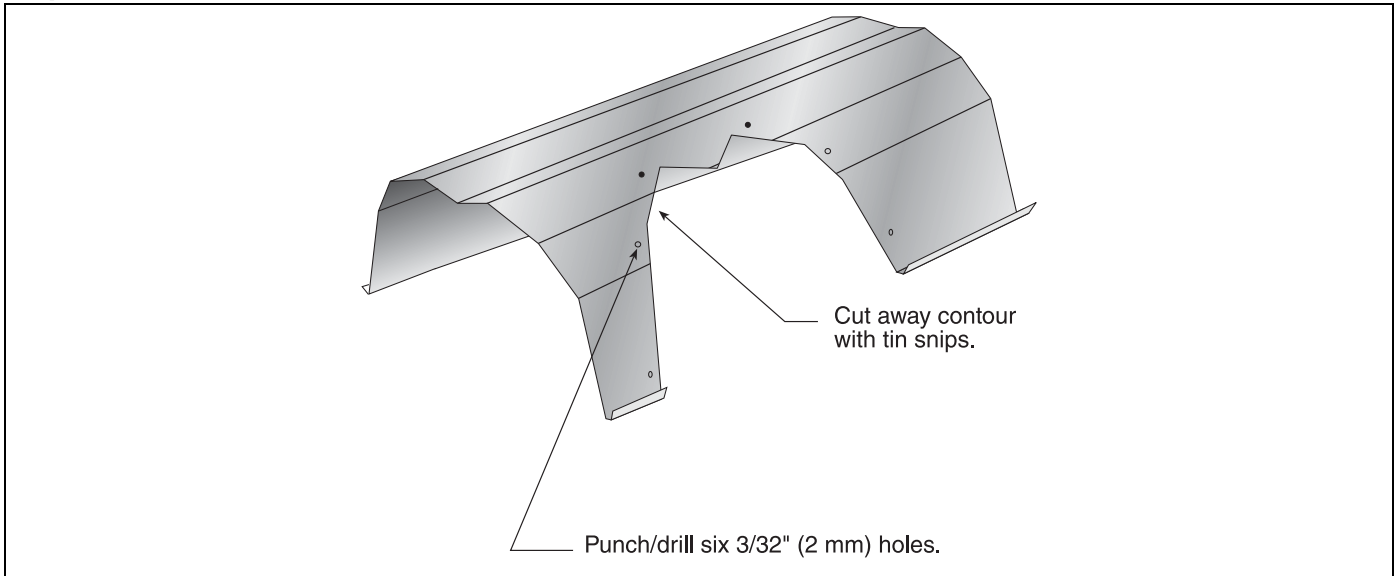
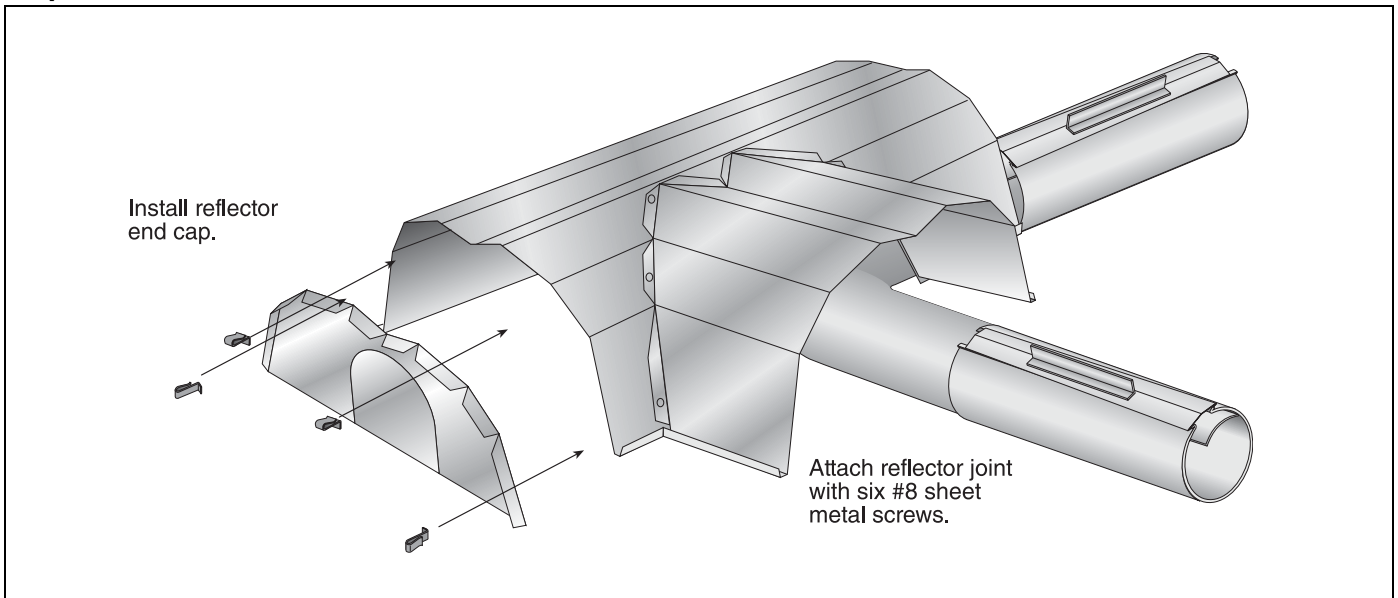
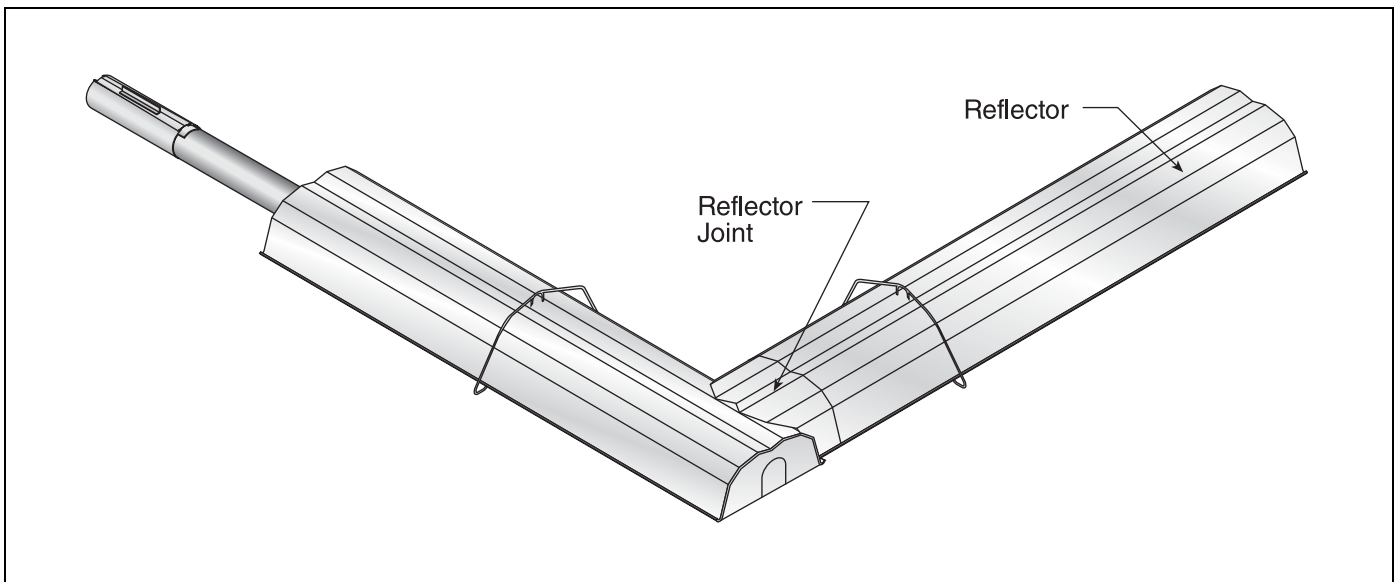
Minimum Distance Required Between Burner and Elbow	
Model	Minimum Distance
CTH2D-40	N/A
CTH2D-60	10' (3 m)
CTH2D-80	10' (3 m)
CTH2D-100	15' (4.5 m)
CTH2D-125	15' (4.5 m)
CTH2D-150	15' (4.5 m)
CTH2D-175	15' (4.5 m)

Step 7.2.2 Elbow Installation



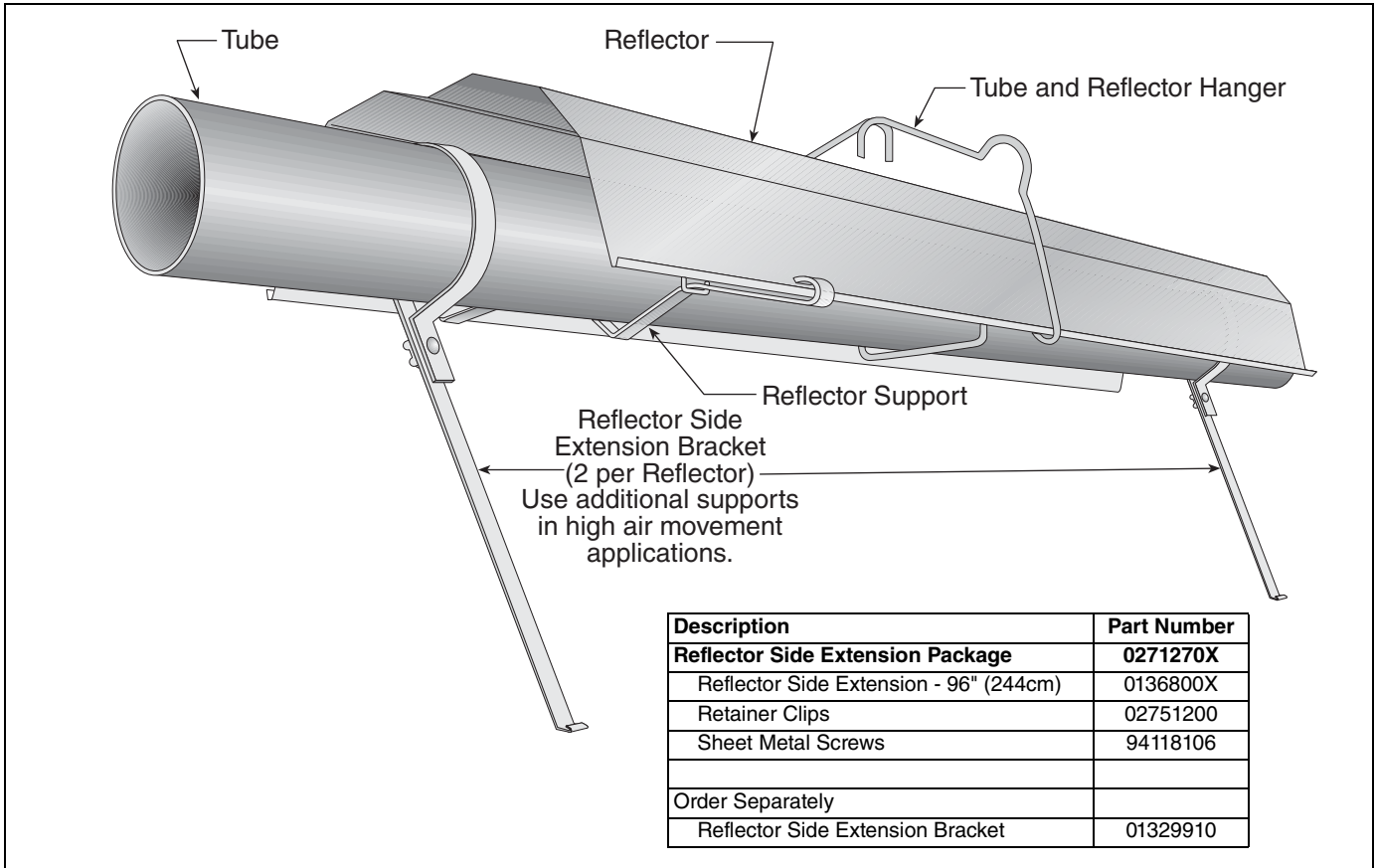
Step 7.2.3 Reflector Joint Installation



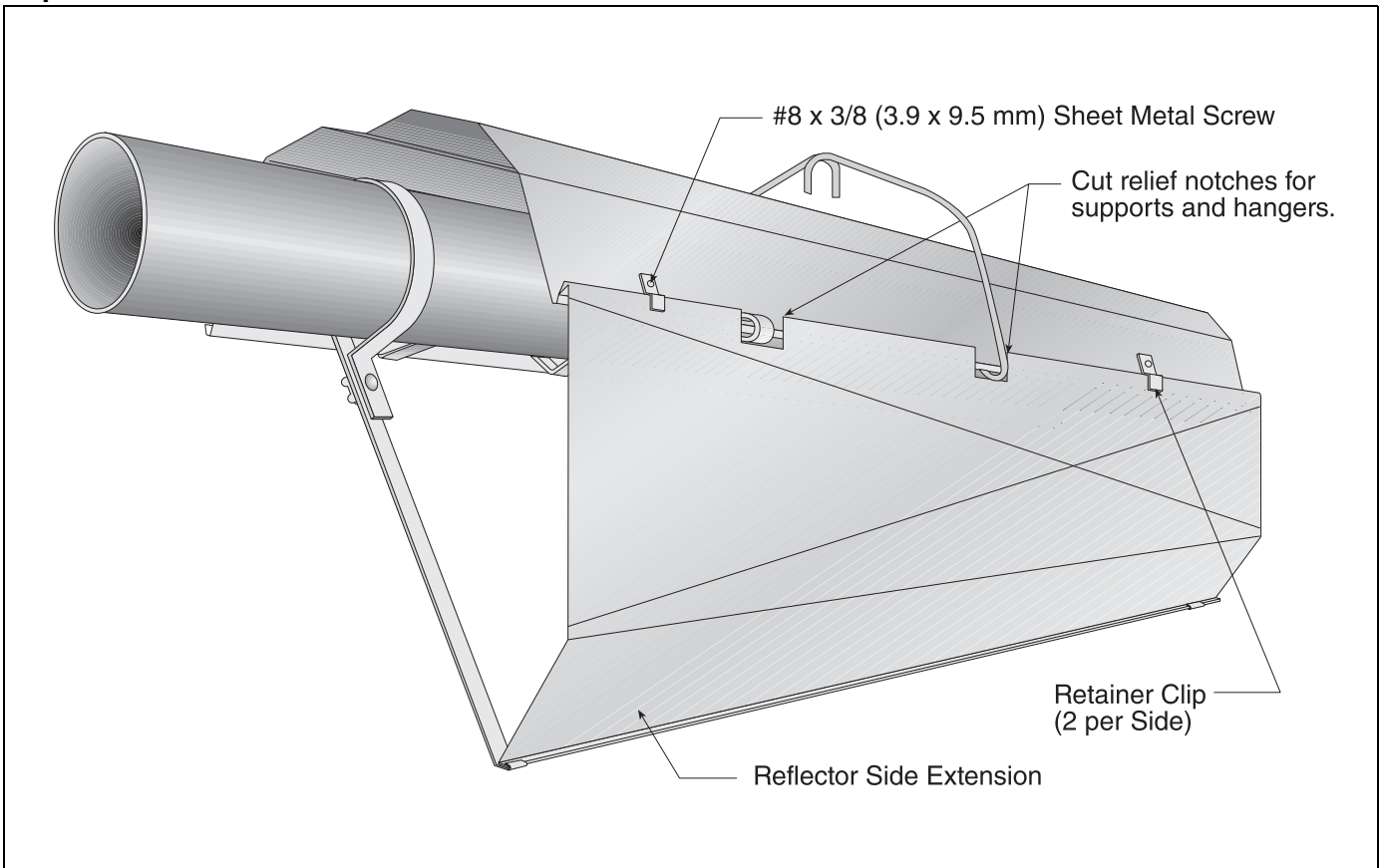
Step 7.2.4 Reflector Joint Installation**Step 7.2.5 Reflector Joint Detail****FIGURE 22: Reflector Joint Detail**

7.3 Reflector Side Extension

Step 7.3.1 Bracket Installation

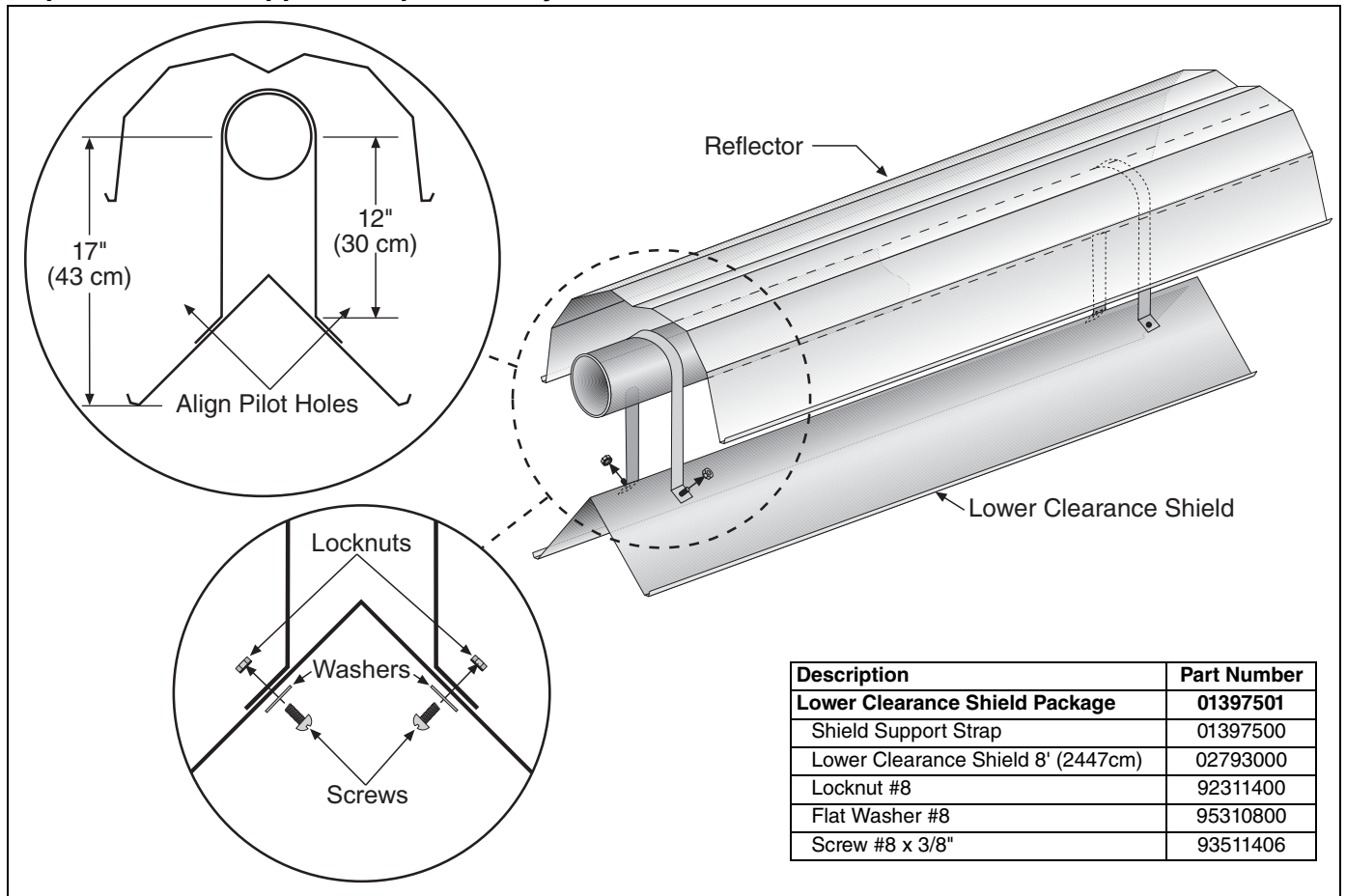


Step 7.3.2 Side Reflector Installation



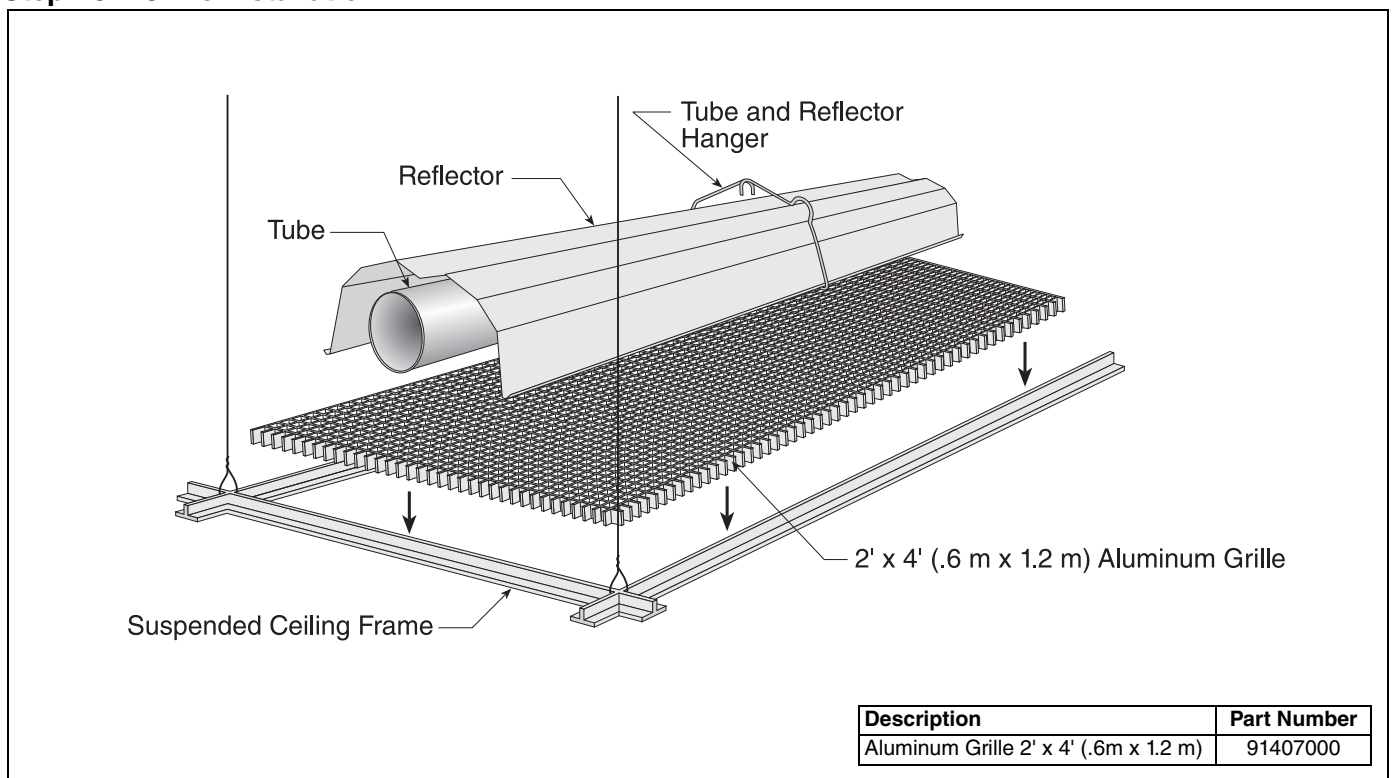
7.4 Lower Clearance Shield Installation

Step 7.4.1 Shield Support Strap Assembly

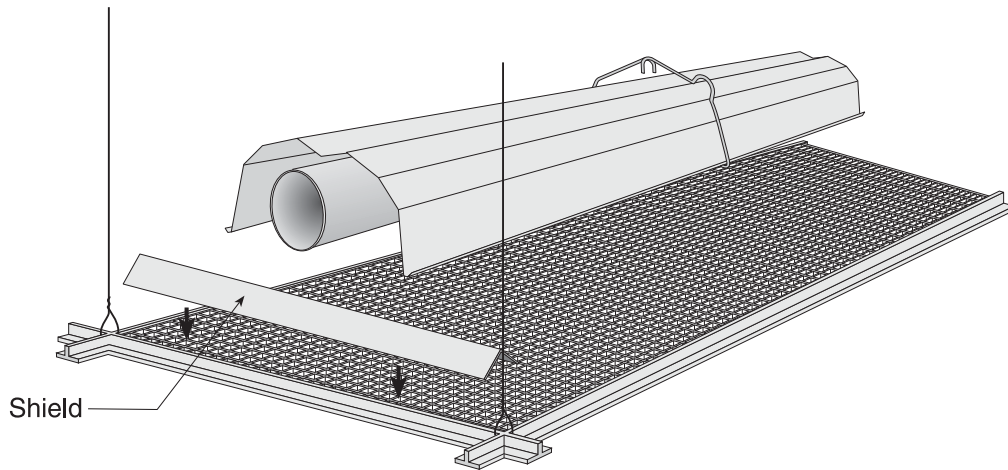


7.5 Two-Foot Decorative Grille Installation

Step 7.5.1 Grille Installation



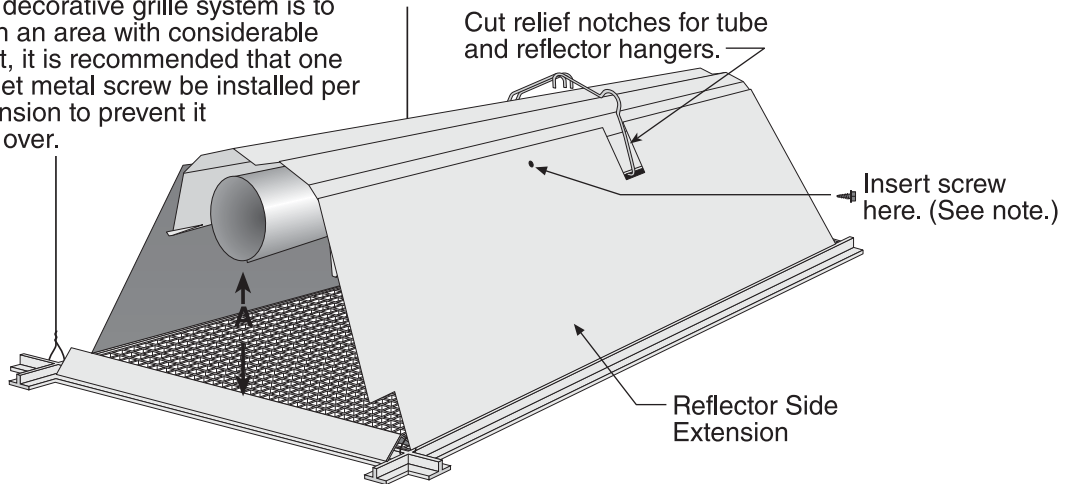
Step 7.5.2 Frame Shield Installation



Description	Part Number
Deco Grille Shield - 24" (61cm)	01365900

Step 7.5.3 Reflector Side Extension Installation for Decorative Grilles

NOTE: If the decorative grille system is to be installed in an area with considerable air movement, it is recommended that one #8 x 3/8" sheet metal screw be installed per reflector extension to prevent it from blowing over.

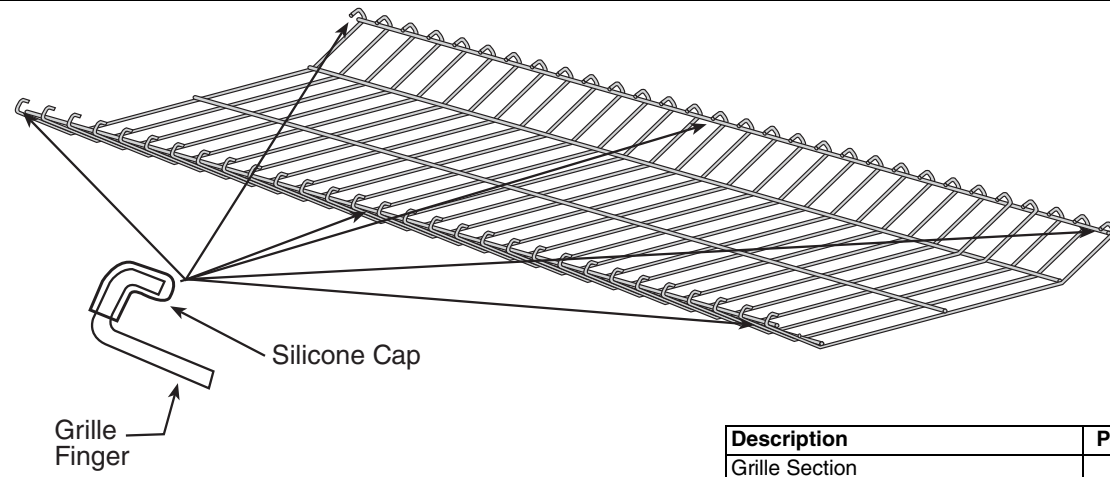


Distance "A"		Extension	
Minimum	Maximum	Part No.	Width
2" (4 cm)	6" (15 cm)	013704XX	8" (20 cm)
6" (15 cm)	10" (26 cm)	013704XX	12" (30 cm)
10" (26 cm)	14" (37 cm)	013704XX	16" (40 cm)

Description	Part Number
Reflector Side Extension	013704XX

7.6 Protective Grille Installation

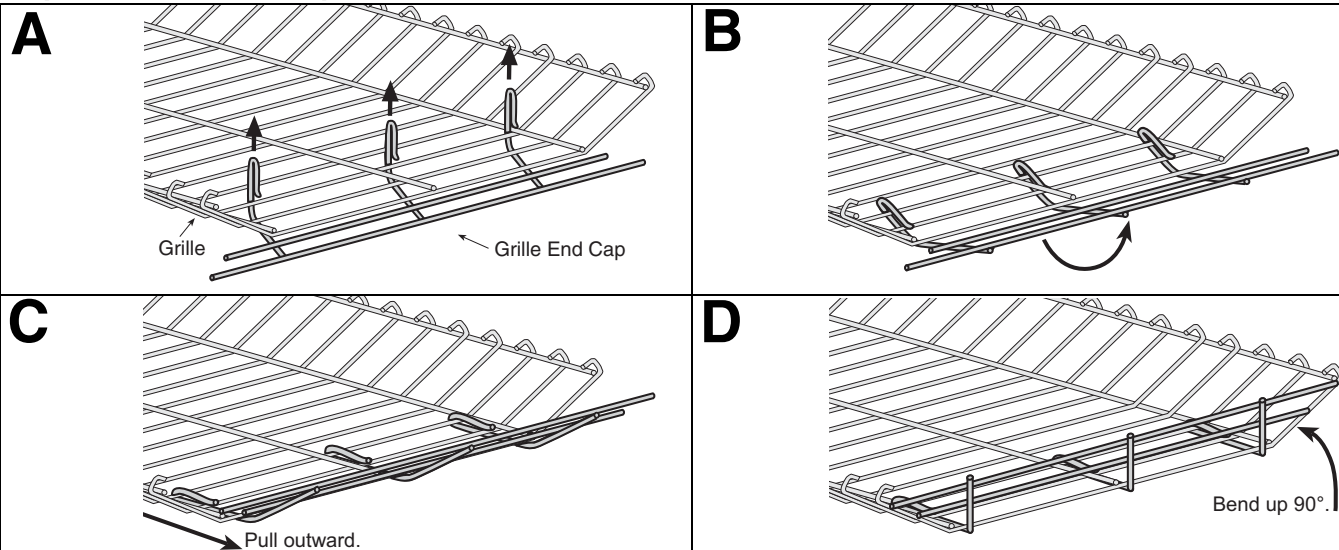
Step 7.6.1 Silicone Cap Installation



NOTE: Protective grille available for use with standard reflector ONLY.

Description	Part Number
Grille Section	08050001
Grille End Cap	08050002
Silicone Cap	91915951-6P

Step 7.6.2 Grille End Cap Installation



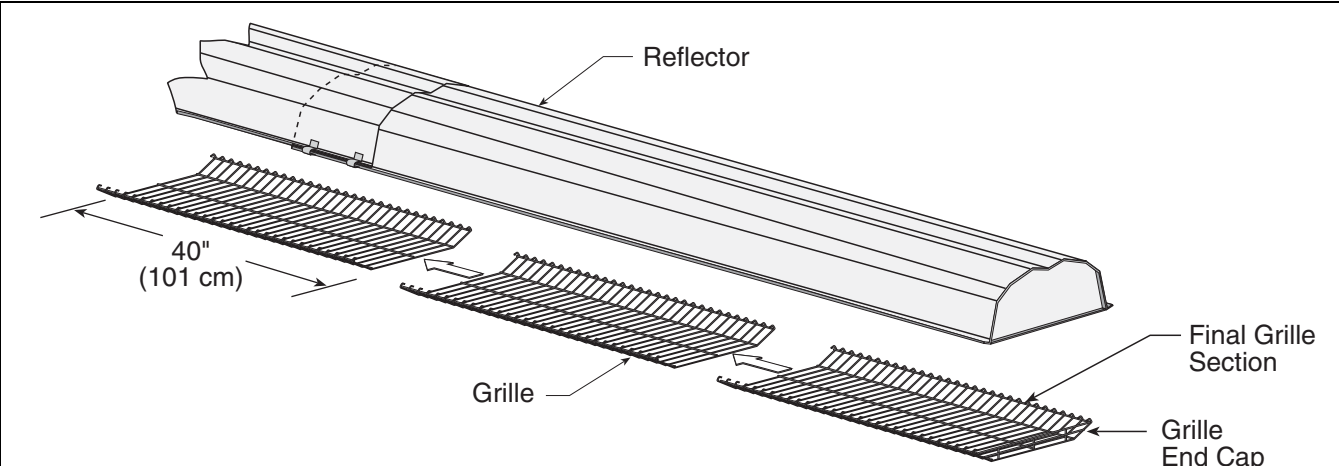
A Grille Grille End Cap

B

C Pull outward.

D Bend up 90°.

Step 7.6.3 Grille Installation



Reflector

40" (101 cm)


Grille

Final Grille Section

Grille End Cap

SECTION 8: VENTING

⚠ WARNING



Carbon Monoxide Hazard

Heaters installed unvented must be interlocked with sufficient building exhaust.

Heaters must be installed according to the installation manual.

Failure to follow these instructions can result in death or injury.

⚠ WARNING



Cut/Pinch Hazard

Wear protective gear during installation, operation and service.

Edges are sharp.

Failure to follow these instructions can result in injury.

8.1 General Venting Requirements

This heater must be vented in accordance with the rules contained in this manual and with the following national codes and any state, provincial or local codes which may apply:

United States: Refer to National Fuel Gas Code NFPA 54/ANSI Z223.1 - latest revision.

Canada: Refer to Natural Gas and Propane Installation Code CSA B149.1 - latest revision.

Exhaust end of heater will accept a 4' (10 cm) vent pipe using the vent adapter (P/N 90502700). To prevent leakage of condensation, install the vent adapter with the seam on top and seal the joint using a high temperature silicone sealant.

Any portion of vent pipe passing through a combustible wall must have an approved thimble to conform with the above listed codes.

Vent pipe must be sloped downward away from the burner 1/2" (1 cm) for every 20' (6 m).

The heater may be individually vented or common vented. When venting horizontally, a maximum of two heaters can be commonly vented. See Page 38, Section 8.9. When venting vertically, a maximum of four heaters can be commonly vented. See Page 39, Section 8.10.

The heater may also be installed unvented in certain circumstances according to building ventilation codes. Refer to the above codes and Page 36, Section 8.2 for further information. Unvented operation also requires compliance with the clearances to combustibles given on Page 8, Figure 12.

The bottom of the vent or air intake terminal shall not be located less than 1' (.3 m) above grade level.

The vent shall not terminate less than 7' (2.1 m) above grade where located adjacent to public walkways.

Vent terminal must be installed at a height sufficient to prevent blockage by snow and building materials protected from degradation by flue gasses.

Secure all joints with #8 x 3/8 sheet metal screws. Seal all joints with high temperature silicone sealant.

Vent terminal must be beyond any combustible overhang.

8.1.1 United States Requirements

Vent must terminate at least 3' (.9 m) above any forced air inlet located within 10' (3.1 m).

Vent must terminate at least 4' (1.2 m) below, 4' (1.2 m) horizontally from, or 1' (.3 m) above any door, operable window, or gravity air inlet into any building.

8.1.2 Canadian Requirements

The vent shall not terminate within 6' (1.8 m) of a mechanical air supply inlet to any building.

The vent shall not terminate within 3' (.9 m) of a window or door that can be opened in any building, any non-mechanical air supply inlet to any building, or of the combustion air inlet of any other appliance.

8.2 Unvented Operation

Sufficient ventilation must be provided in the amount of 4 cfm per 1000 Btu/h firing rate (United States); 3 cfm per 1000 Btu/h firing rate (Canada).

Use of optional outside combustion air is not recommended with unvented heaters.

If exhaust fans are used to supply ventilation air, an interlock switch must be used to prevent the heater from coming on when the fans are off. This may be done using a pressure switch.

8.3 Horizontal Venting

In noncombustible walls only, vent terminal (P/N 02537801-1P) may be used.

For 4" (10 cm) vents in either combustible or noncombustible walls, use Tjernlund VH1-4 (P/N 90502100) or equivalent insulated vent terminal. Follow the manufacturer's instructions for proper installation.

For 6" (15 cm) common vents in either combustible or noncombustible walls, use Tjernlund VH1-6 (P/N 90502101) or equivalent insulated vent terminal. Follow the manufacturer's instructions for proper installation.

8.4 Vertical Venting

For 4" (10 cm), an approved vent cap (P/N 90502300) must be used.

For 6" (15 cm) common vent, an approved vent cap (P/N 90502302) must be used.

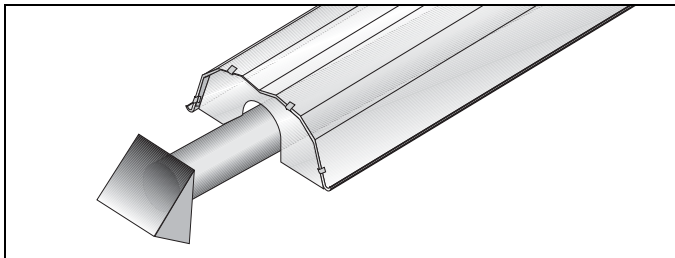
For common vertical venting of more than two heaters, See Page 39, Section 8.10.

A vent shall not extend less than 2' (.6m) above the highest point where it passes through a flat roof of a building.

8.5 Unvented Operation Tube Termination

Turndown type vent terminal with a screen must be installed at the exhaust end of the tube. Vent terminal design shall not incorporate backdraft flap.

FIGURE 23: Tube Termination



8.6 Length Requirements

The maximum vent length allowed is 45' (13.7 m). The maximum outside air supply duct length allowed is 45' (13.7 m).

The total vent length, plus outside air duct length, plus any extensions to minimum heat exchanger lengths, cannot exceed 65' (19.8 m).

Vent length should be limited to less than 20' (6 m). If using vent lengths greater than 20' (6 m), condensation will form in the vent pipe. Insulation and additional sealing measures (high temperature silicone at all seams) are required. Optional heat exchanger beyond minimum lengths is considered as vent length for length determination.

Subtract 15' (4.6 m) of maximum allowed vent or duct length per vent elbow if more than two are used.

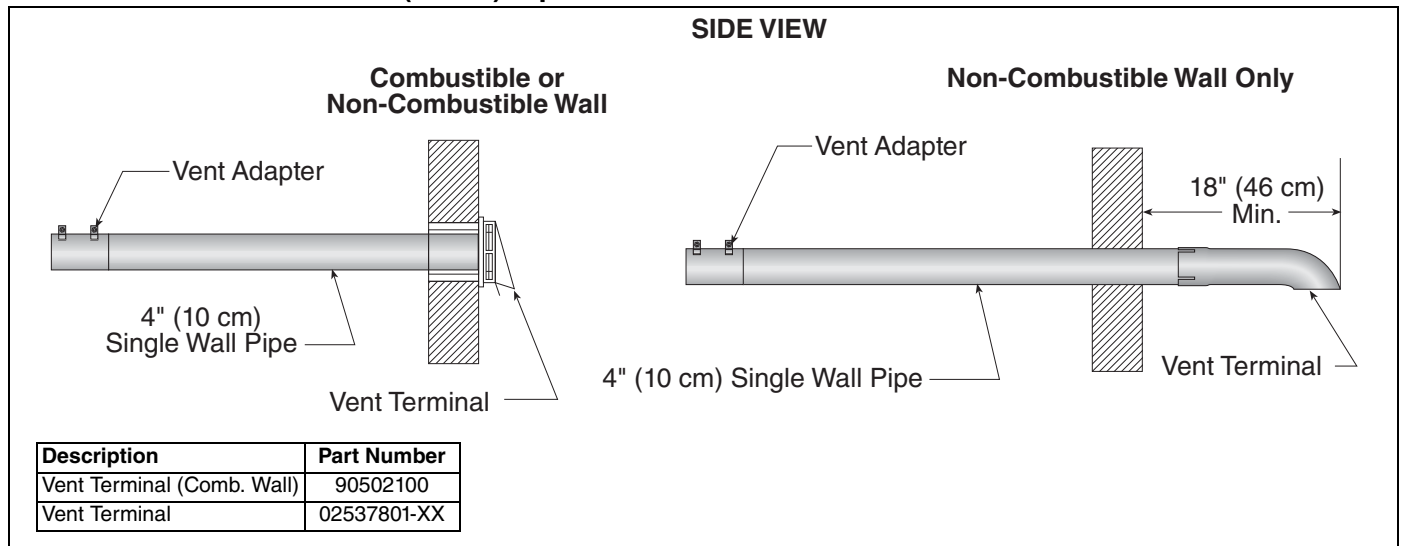
8.6.1 Vent Material Recommendations

Vent recommendations:

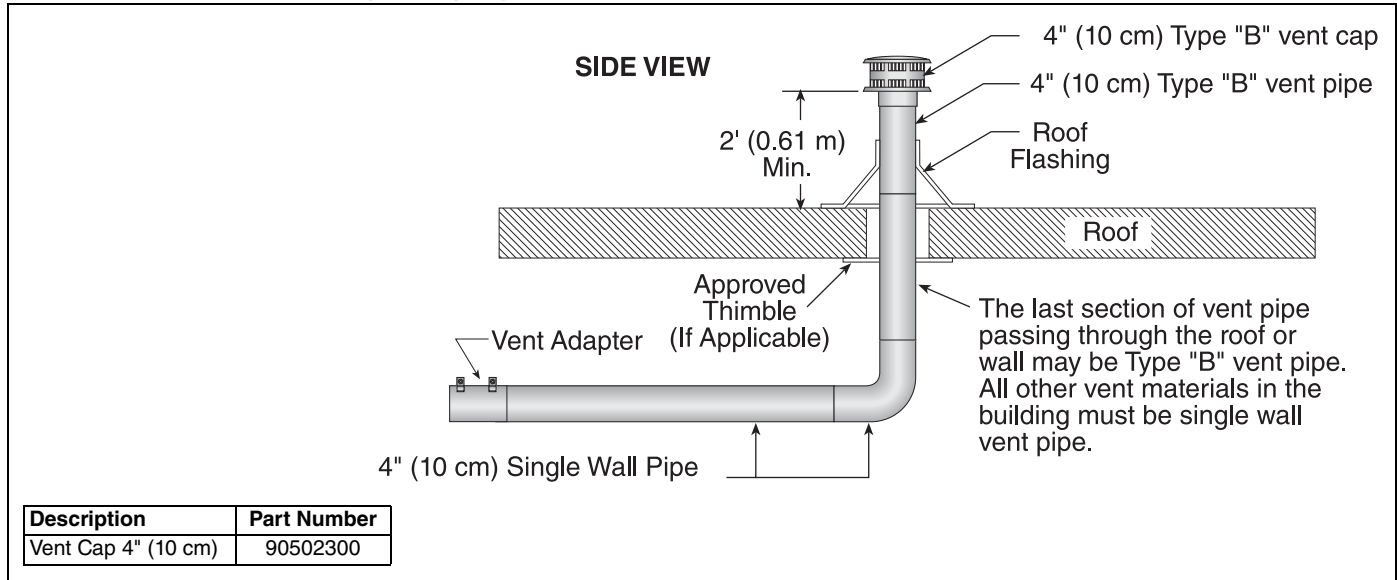
1. Porcelain coated tubing 4" (10 cm) O.D. (P/N 9141030D)
2. Heat treated aluminized tubing 4" (10 cm) O.D. (P/N 91409408)
Heat treated aluminized tubing 6" (15 cm) O.D. (P/N E0009105)
3. Single wall flue pipe - minimum 26 ga. (Supplied by others)

NOTE: 4" (10 cm) O.D. Porcelain coated tubing (P/N 9141030D), 4" (10 cm) O.D. Heat treated aluminized tubing (P/N 91409408), and 6" (15 cm) O.D. Heat treated aluminized tubing (P/N E0009105) are equivalent to single wall flue pipe.

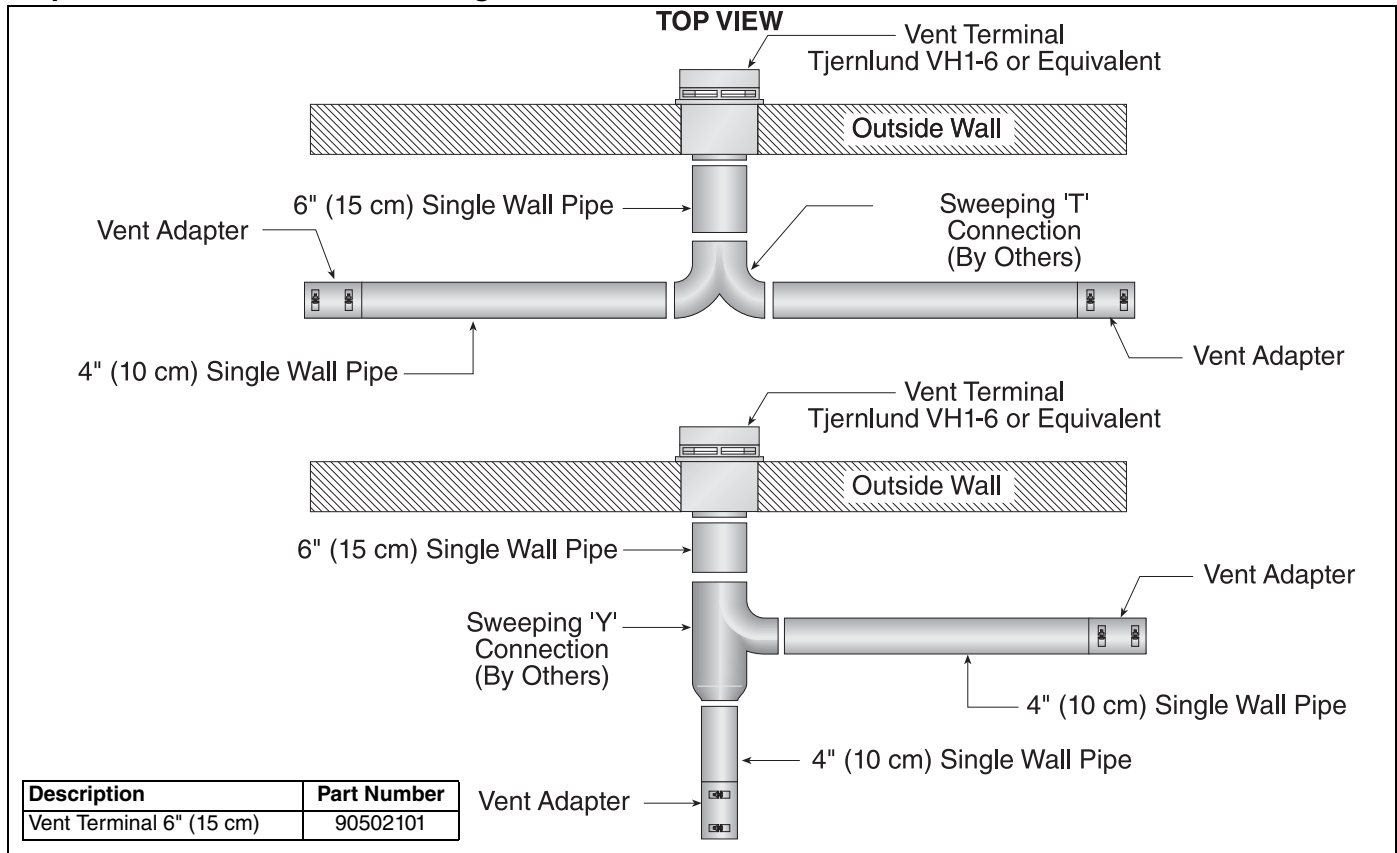
8.7 Horizontal Ventilation 4" (10 cm) Pipe



8.8 Vertical Ventilation 4" (10 cm) Pipe



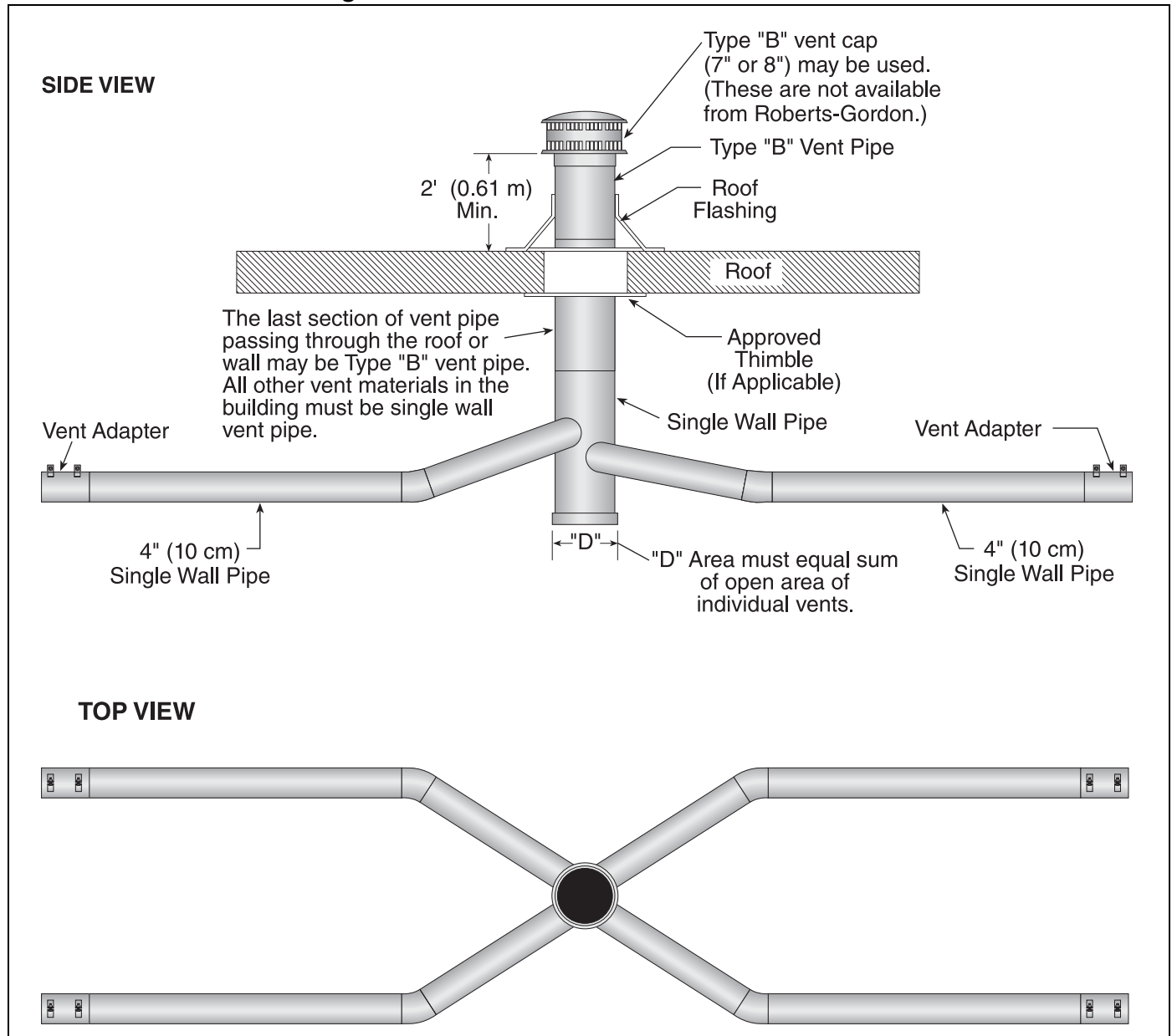
Step 8.9 Common Sidewall Venting



Requirements:

- Maximum of two heaters can be commonly vented through a side wall.
- Heaters must be of the same BTU output.
- Heaters must be controlled by a common thermostat.

8.10 Common Vertical Venting



Requirements:

- Maximum of four heaters can be commonly vented through the roof.
- Heaters must be of the same BTU output.
- Heaters must be controlled by a common thermostat.
- Connections to a common stack must be positioned to avoid direct opposition between streams of combustion gases.

8.11 Outside Combustion Air Supply

IMPORTANT: If the building has a slight negative pressure or corrosive contaminants, such as halogenated hydrocarbons, are present in the air, an outside combustion air supply to the heater is required. Seal all combustion air pipe joints.

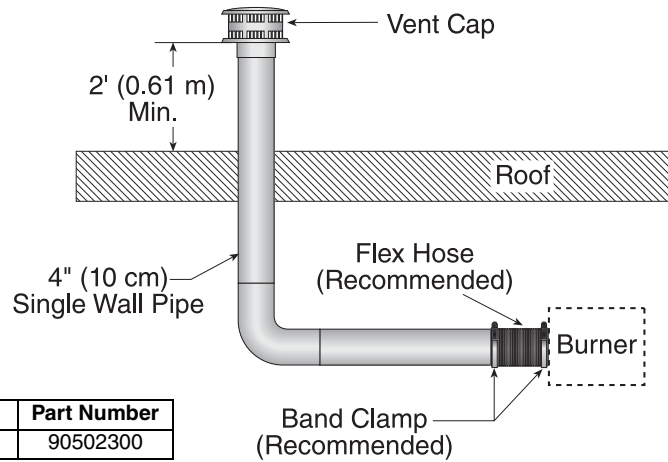
Use of optional outside combustion air is not recommended with unvented heaters.

The air supply duct may have to be insulated to prevent condensation on the outer surface. The outside air terminal must not be more than 1' (31 cm) above the vent termination while maintaining a minimum distance of 3' (93 cm) for both vertical and horizontal venting.

8.11.1 Length Requirements

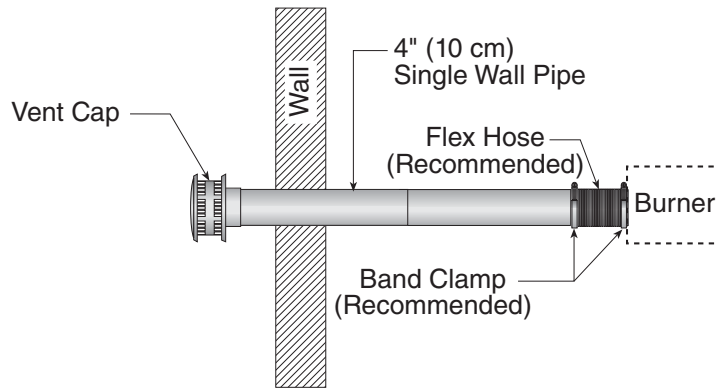
Follow the constraints listed on *Page 37, Section 8.6.*

8.11.2 Vertical Outside Air Supply for Single Heater Installation



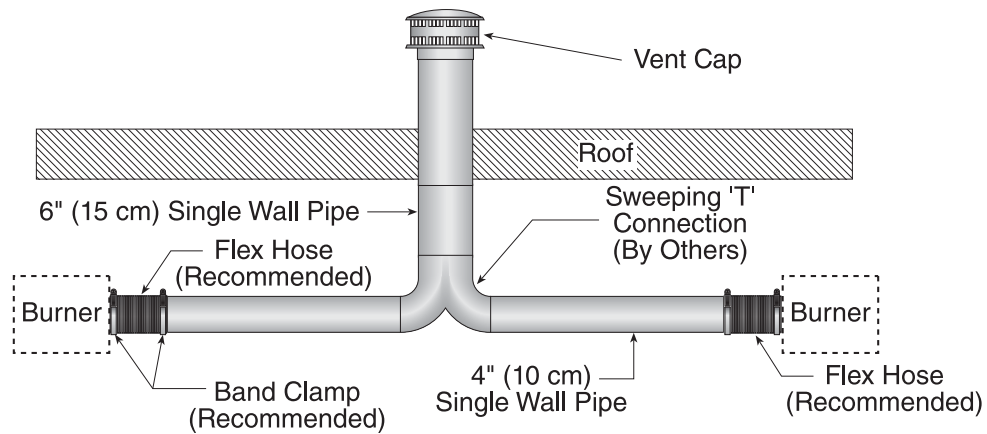
Description	Part Number
Vent Cap 4" (10 cm)	90502300

8.11.3 Horizontal Outside Air Supply for Single Heater Installation



Description	Part Number
Vent Cap 4" (10 cm)	90502300

8.11.4 Vertical Outside Air Supply for Double Heater Installation

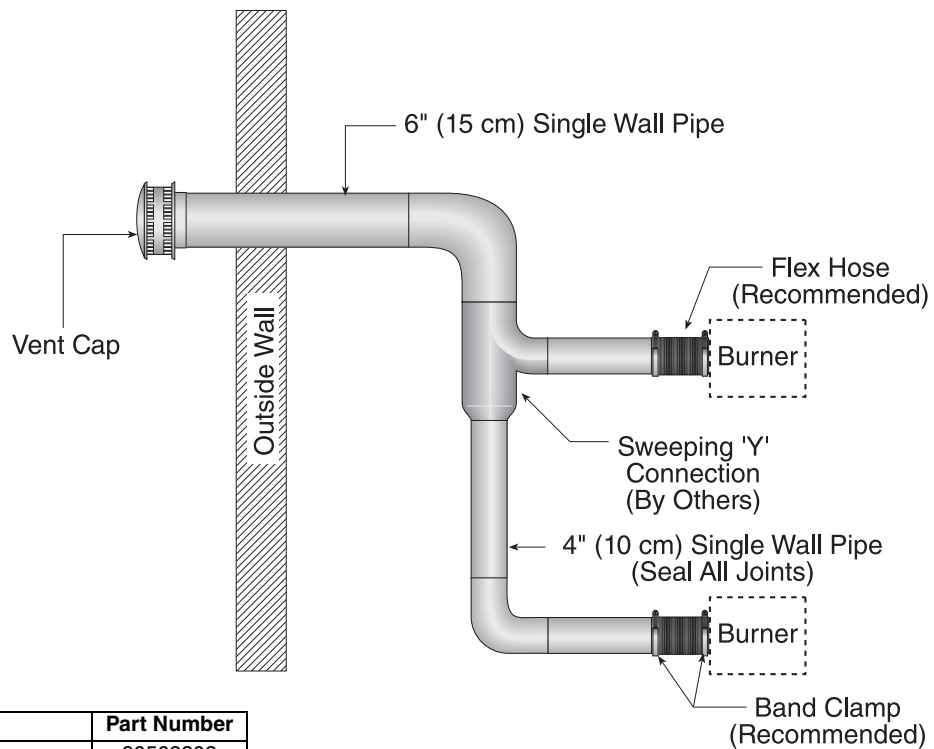


Description	Part Number
Vent Cap 6" (15 cm)	90502302

Requirements:

- Heaters must be controlled by a common thermostat.

8.11.5 Horizontal Outside Air Supply for Double Heater Installation




Description	Part Number
Vent Cap 6" (15 cm)	90502302

Requirements:

- Heaters must be controlled by a common thermostat.

SECTION 9: GAS PIPING

! WARNING



Fire Hazard

Tighten gas hose fittings to connect gas supply according to Figure 23.

Gas hose can crack when twisted.


Gas hose moves during normal operation.

Use only 36" (91 cm) long connector of 1/2" or 3/4" nominal ID.

Connector supplied with heater for U.S. models (not with Canadian models).

Failure to follow these instructions can result in death, injury or property damage.

! WARNING



Explosion Hazard

Leak test all components of gas piping before operation.

Gas can leak if piping is not installed properly.

Do not high pressure test gas piping with heater connected.

Failure to follow these instructions can result in death, injury or property damage.

There is an expansion of the tube with each firing cycle. This will cause the burner to move with respect to the gas line. This can cause a gas leak resulting in an unsafe condition if the gas connection is not made in strict accordance with *Figure 24*.

Meter and service must be large enough to handle all the burners being installed plus any other connected load. The gas line which feeds the system must be large enough to supply the required gas with a maximum pressure drop of 1/2" wc. When gas piping is not included in the layout drawing, the local gas supplier will usually help in planning the gas piping.

Gas lines must meet applicable codes:

United States: The Flexible Stainless Steel Gas Hose (US models) supplied with the heater is certified per the Standard for Connectors for Gas Appliances, ANSI Z21.24/CSA 6.10 - latest revision.

Canada: The Rubber Type 1 Gas Hose (Canadian models) optional with the heater is certified as being in compliance with the Standard for Elastomeric Composite Hose and Hose Couplings for Conducting Propane and Natural Gas, CAN/CGA 8.1 - Latest revision.

- **Check the pipe and tubing ends for leaks before placing heating equipment into service. When checking for gas leaks, use a soap and water solution; never use an open flame.**

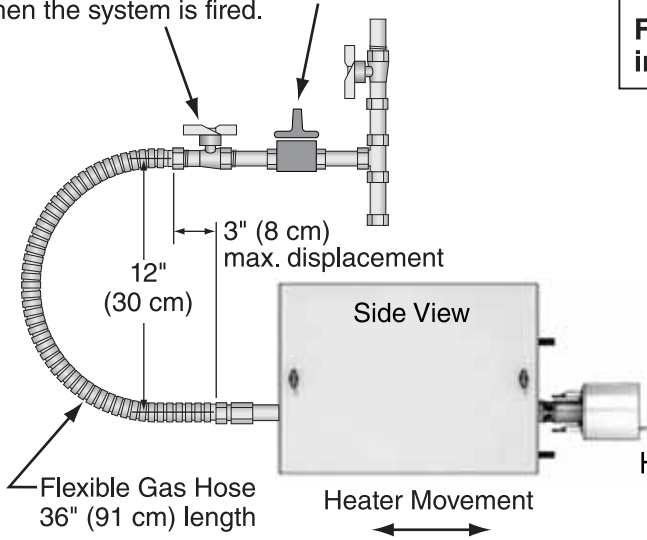
Install the gas hose as shown in *Figure 24*. The gas hose accommodates expansion of the heating system and allows for easy installation and service of the burner. Before connecting the burners to the supply system, verify that all high pressure testing of the gas piping has been completed.

FIGURE 24: Gas Connection with Flexible Gas Hose

CORRECT POSITIONS

Shut-Off Valve (included with gas hose) must be parallel to burner gas inlet. The 3" (8 cm) displacement shown is for the cold condition. This displacement may reduce when the system is fired.

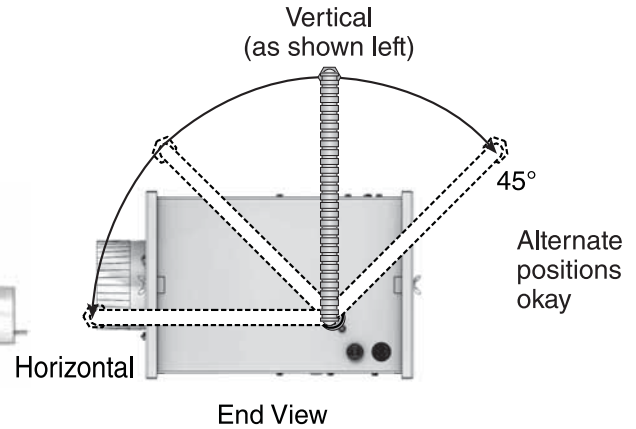
High Gas Pressure Regulator to be installed upstream of flexible gas hose if inlet pressure exceeds maximum allowance.



CAUTION
Product Damage Hazard

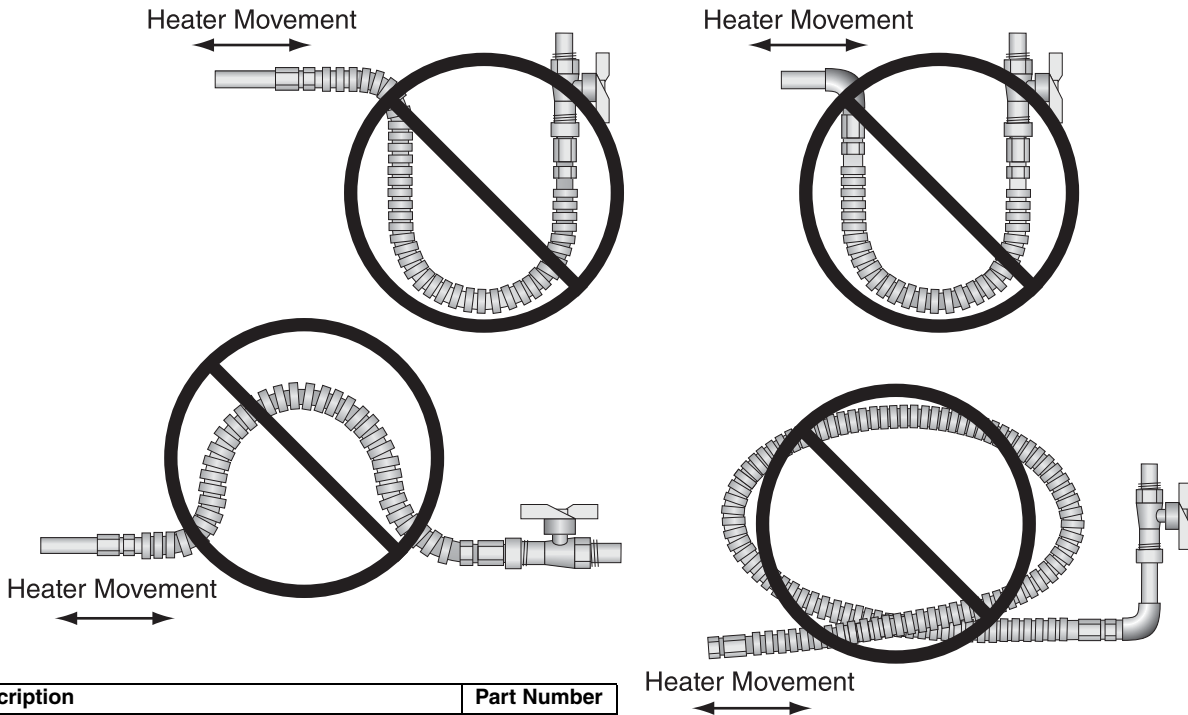
Hold gas nipple securely with pipe wrench when attaching gas hose.

Failure to follow these instructions can result in product damage.



Description	Part Number
High Pressure Regulator - 2 psi	90207600
High Pressure Regulator - 5 psi	90207601

INCORRECT POSITIONS (WRONG INSTALLATION)



Description	Part Number
1/2" Flexible Stainless Steel Gas Hose (US Models)	91412200
3/4" Flexible Stainless Steel Gas Hose (US Models)	91412203
1/2" Rubber Type 1 Gas Hose (Canadian Models)	91412206
3/4" Rubber Type 1 Gas Hose (Canadian Models)	91412207

SECTION 10: WIRING

⚠ DANGER



Electrical Shock Hazard

Disconnect electric before service.

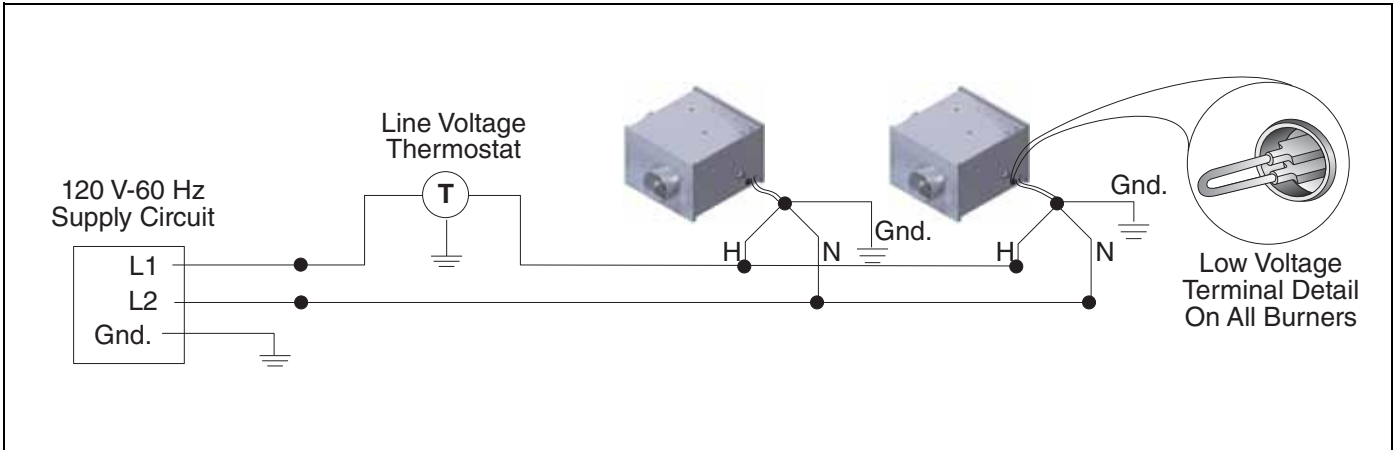
Heater must be properly grounded.

Failure to follow these instructions can result in death or electrical shock.

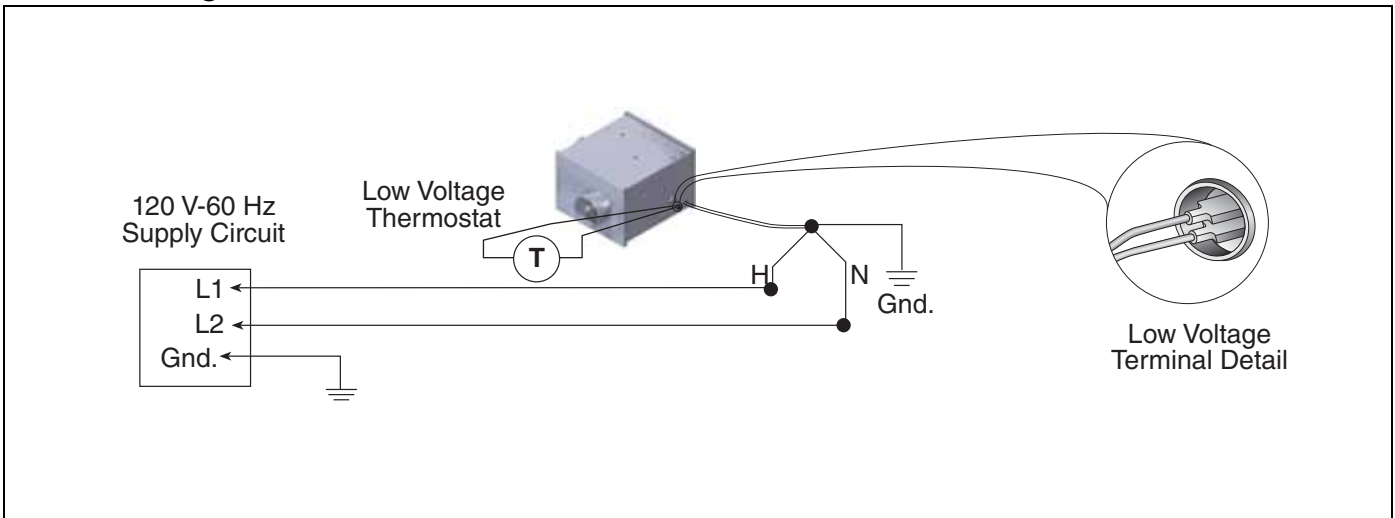
Management System. *Section 10.1* below illustrates the connection for heaters controlled by a line voltage thermostat. NOTE: In order to use line voltage thermostats, the low voltage terminal located at the back of each burner must be connected as shown in the detail. For a single heater on a low voltage thermostat, See *Section 10.2* below. To control multiple heaters on one low voltage thermostat, See *Page 45, Section 10.3*. NOTE: In order to control multiple heaters on one low voltage thermostat, the low voltage terminals on each heater must be connected as shown in detail. Heater must be grounded in accordance with applicable codes: **United States:** refer to National Electrical Code® NFPA 70 - latest revision **Canada:** refer to Canadian Electrical Code, CSA C22.1 Part I - latest revision. If any of the original internal wiring must be replaced, it must be replaced with wiring materials having a temperature rating of at least 105° C and 600 V.

Heaters can be controlled using several methods. Normally thermostats are used to control the heaters but they can also be controlled by an Energy

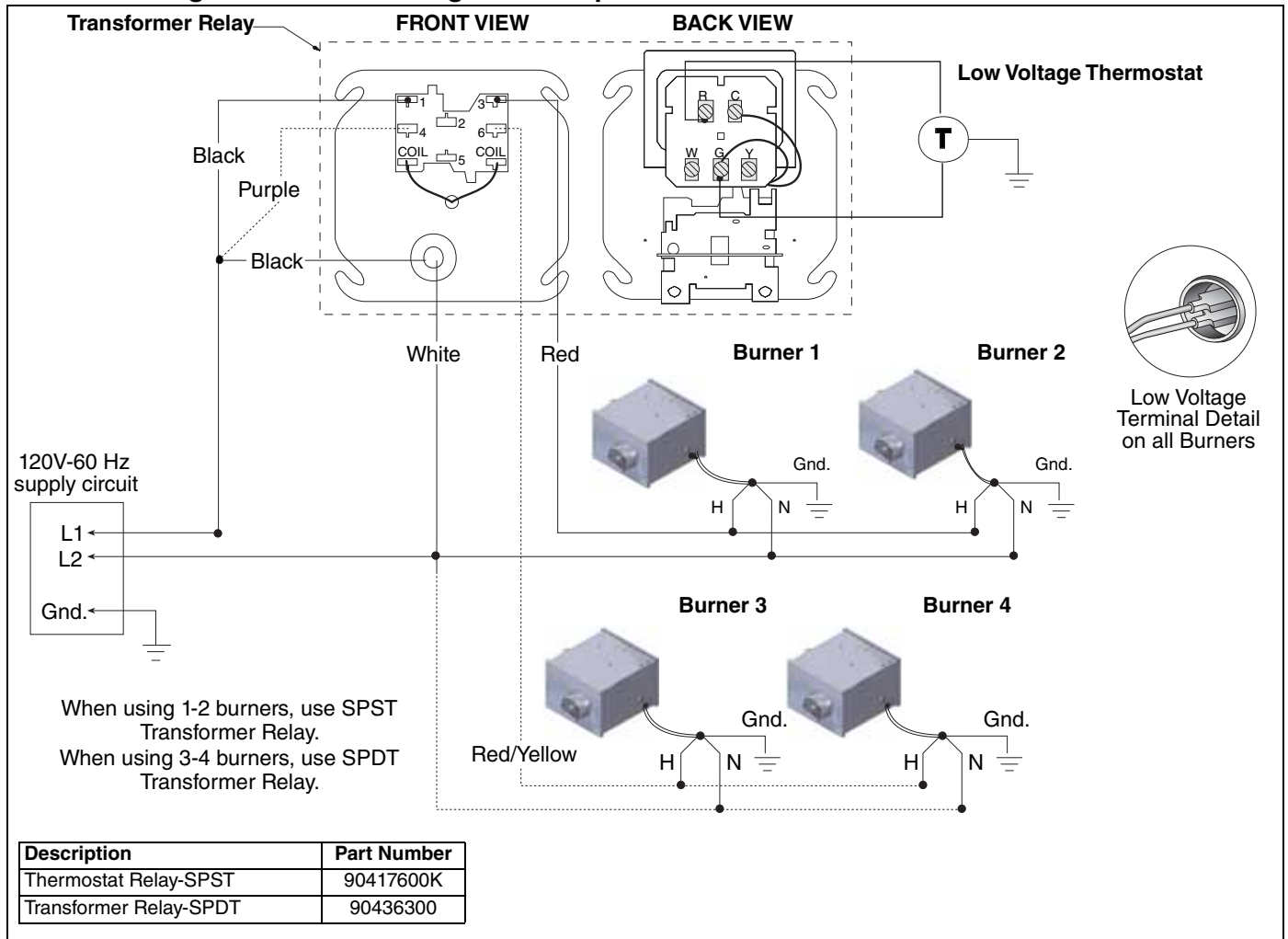
10.1 Line Voltage Thermostat Wiring



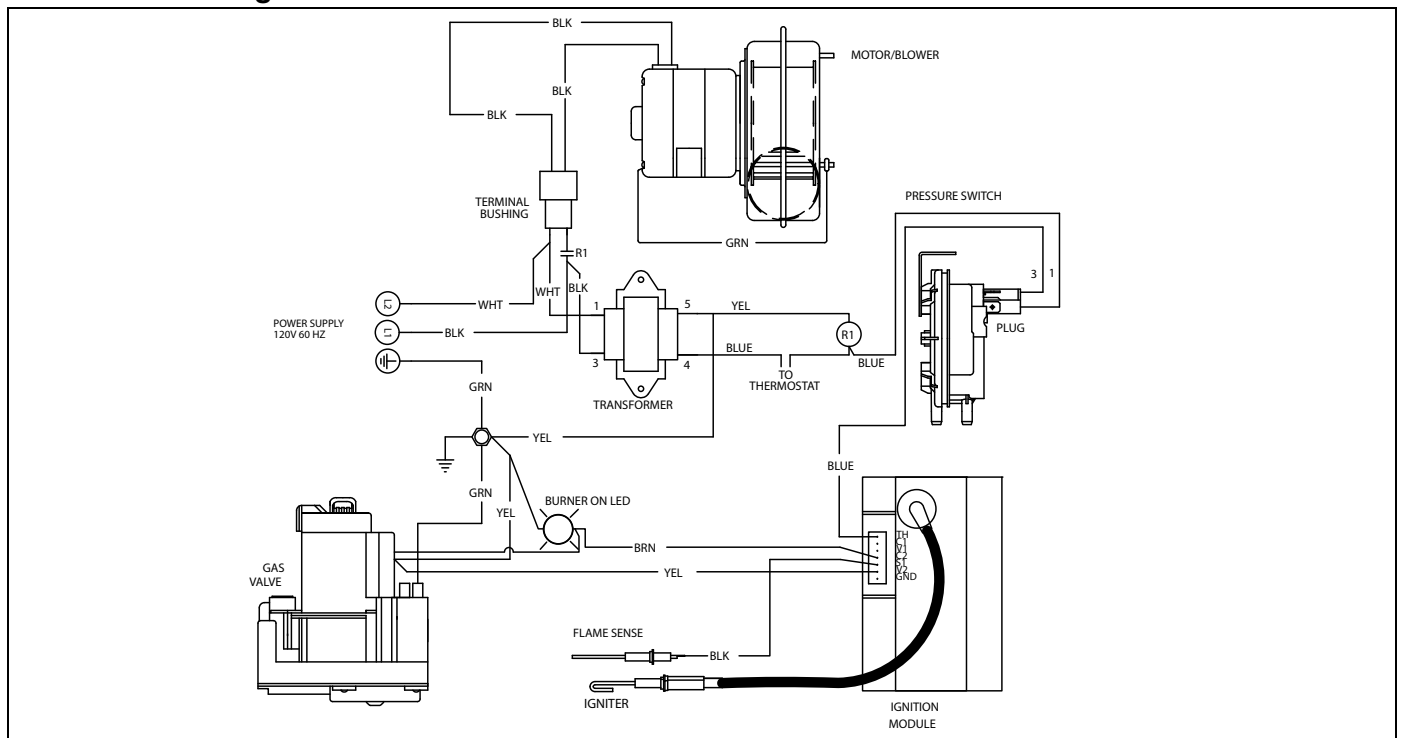
10.2 Low Voltage Thermostat with One Burner



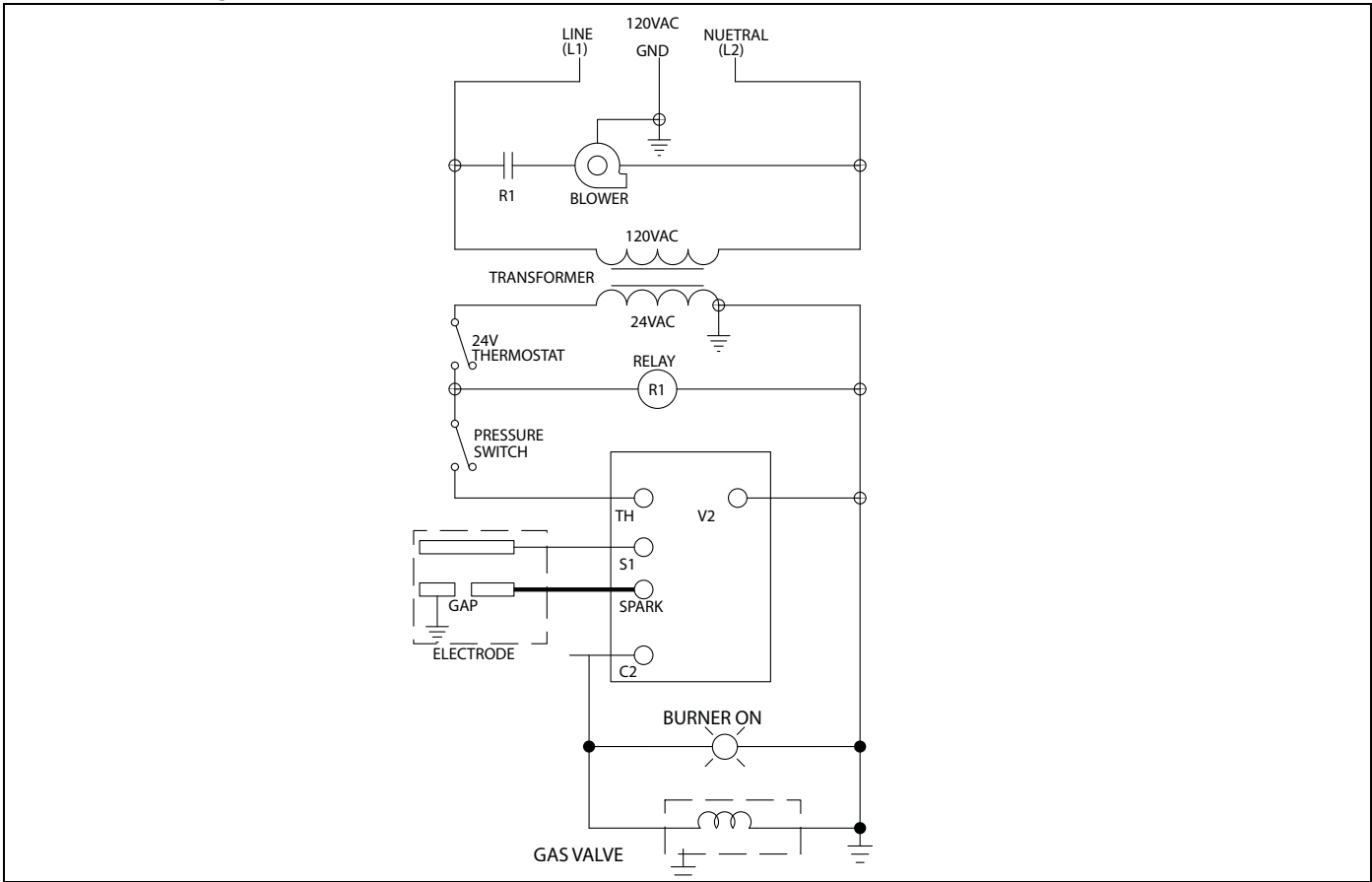
10.3 Low Voltage Thermostat Wiring with Multiple Burners



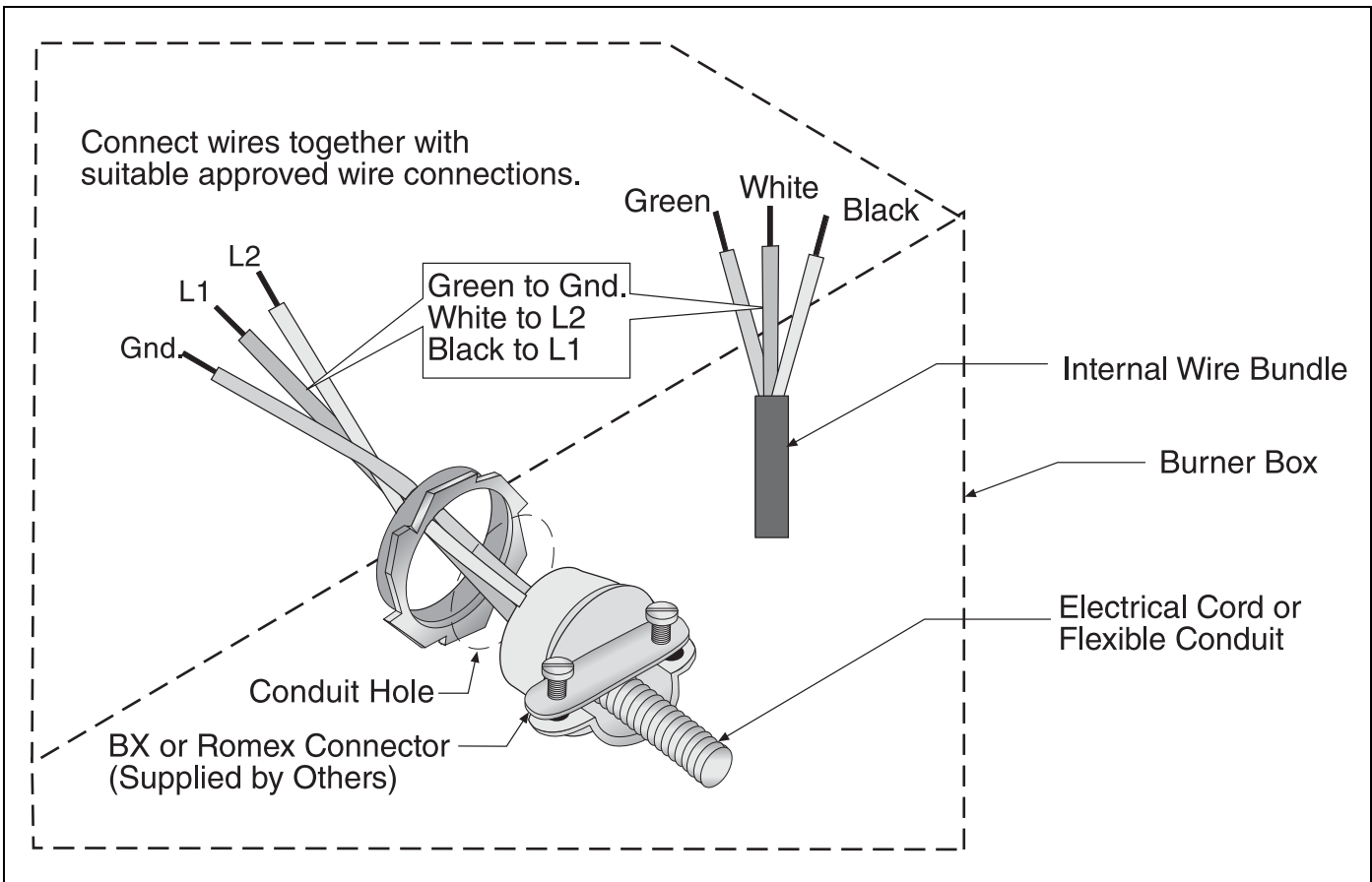
10.4 Internal Wiring







10.5 Ladder Diagram



10.6 Electrical Connection to the Burner



SECTION 11: OPERATION AND MAINTENANCE

⚠ DANGER	⚠ WARNING		
			
Electrical Shock Hazard Disconnect electric before service. Heater must be connected to a properly grounded electrical source.	Explosion Hazard Turn off gas supply to heater before service.	Burn Hazard Allow heater to cool before service. Tubing may still be hot after operation.	Cut/Pinch Hazard Wear protective gear during installation, operation and service. Edges are sharp.
Failure to follow these instructions can result in death, electric shock, injury or property damage.			

This heater is equipped with a direct spark ignition system.

11.1 Sequence of Operation

4. Turn the thermostat up. When the thermostat calls for heat, the blower motor will energize.
5. When the motor approaches nominal running RPM, the pressure switch closes and activates the ignition module.
6. After a 45 second prepurge, the ignition module then opens the gas valve and energizes the spark igniter.
7. When the flame is established, the sparking sequence ceases.
8. If the flame is not established during the ignition sequence, the ignition module closes the gas valve and purge begins. Module will try 2 additional times for ignition (with purges in between trials). If ignition is not established, the module will lockout.
9. If the flame extinguishes during operation, the ignition module will attempt the multiple trial sequence described in step 5. If ignition is not re-established, the module will lockout for one hour or until reset.
10. After lockout, the control can be reset by turning down thermostat for five seconds, and then raising it again to desired temperature, or by disconnecting power and then reconnecting.

11. When thermostat is satisfied, all power to the unit is shut off.

11.2 To Shut Off Heater

Set thermostat to lowest setting.

Turn OFF electric power to heater.

Turn OFF manual gas valve in the heater supply line.

11.3 To Start Heater

Turn gas valve and electric power OFF and wait five minutes for unburned gases to vent from heater.

Turn ON main gas valve.

Turn ON electric power.

Set thermostat to desired temperature. Burner should light automatically.

11.4 Pre-Season Maintenance and Annual Inspection

To ensure your safety and years of trouble-free operation of the heating system, service and annual inspections must be done by a contractor qualified in the installation and service of gas-fired heating equipment.

Turn off gas and electric supplies before performing service or maintenance. Allow heater to cool before servicing.

Before every heating season, a contractor qualified in the installation and service of gas-fired heating equipment must perform a thorough safety inspection of the heater.

For best performance, the gas, electrical, thermostat connections, tubing, venting, suspensions and over-

all heater condition should be thoroughly inspected.

NOTE: Gas flow and burner ignition are among the first things that should be inspected.

Please see *Page 48, Section 11.5* for suggested items to inspect.

11.5 Maintenance Checklist

Installation Code and Annual Inspections:

All installation and service of ROBERTS GORDON® equipment must be performed by a contractor qualified in the installation and service of equipment sold and supplied by Roberts-Gordon LLC and

conform to all requirements set forth in the ROBERTS GORDON® manuals and all applicable governmental authorities pertaining to the installation, service, operation and labeling of the equipment.

To help facilitate optimum performance and safety, Roberts-Gordon LLC recommends that a qualified contractor conduct, at a minimum, annual inspections of your ROBERTS GORDON® equipment and perform service where necessary, using only replacement parts sold and supplied by Roberts-Gordon LLC





The Vicinity of the Heater	<p>Do not store or use flammable objects, liquids or vapors near the heater. Immediately remove these items if they are present.</p> <p><i>See Page 5, Section 3.</i></p>
Vehicles and Other Objects	<p>Maintain the clearances to combustibles.</p> <p>Do not hang anything from, or place anything on, the heater.</p> <p>Make sure nothing is lodged underneath the reflector, in between the tubes or in the decorative or protective grilles (included with select models).</p> <p>Immediately remove objects in violation of the clearances to combustibles.</p> <p><i>See Page 5, Section 3.</i></p>
Reflector	<p>Support reflector with reflector hanger and support strap.</p> <p>Reflector must not touch tube.</p> <p>Make sure there is no dirt, sagging, cracking or distortion.</p> <p>Do not operate if there is sagging, cracking or distortion.</p> <p>Make sure reflectors are correctly overlapped. <i>See Page 24, Section 6.5.1.</i></p> <p>Clean outside surface with a damp cloth.</p>
Vent Pipe	<p>Venting must be intact. Using a flashlight, look for obstructions, cracks on the pipe, gaps in the sealed areas or corrosion.</p> <p>The area must be free of dirt and dust. Clean as required.</p> <p>Remove any carbon deposits or scale using a wire brush.</p> <p><i>See Page 36, Section 8.</i></p>
Outside Air Inlet	<p>Inlet must be intact. Look for obstructions, cracks on the pipe, gaps in the sealed areas or corrosion.</p> <p>The area must be free of dirt and dust. Clean and reinstall as required.</p>
Tubes	<p>Make sure there are no cracks.</p> <p>Make sure tubes are connected and suspended securely.</p> <p><i>See Page 15, Section 6.</i></p> <p>Make sure there is no sagging, bending or distortion.</p> <p>Clean or replace as required.</p>
Gas Line	<p>Check for gas leaks. <i>See Page 42, Section 9.</i></p>
Burner Observation Window	<p>Make sure it is clean and free of cracks or holes.</p> <p>Clean and replace as required.</p>

Blower Scroll, Wheel and Motor	Compressed air or a vacuum cleaner may be used to clean dust and dirt.
Burner Cup and Orifice	Clear of obstructions (even spider webs will cause problems). Carefully remove any dust and debris from the burner.
Electrode	Replace if there are cracked ceramics, excessive carbon residue, or erosion of the electrode. The electrode gap should be 1/8" (3.2 mm).
Thermostat	There should be no exposed wire or damage to the thermostat. <i>See Page 44, Section 10.</i>
Suspension Points	Make sure the heater is hanging securely. Look for signs of wear on the chain or ceiling. <i>See Page 16, Figure 15.</i>
Decorative and Protective Grille (optional)	The grille must be securely attached. Check that the side reflector extensions are installed correctly and secured in place if necessary. (Decorative grille only.) <i>See Page 33, Section 7.5 and Page 35, Section 7.6.</i> Make sure shield is installed correctly and secured in place if necessary. (Decorative grille only.) <i>See Page 34, Section 7.5.2.</i>
Lower Clearance Shield (optional)	The lower shield must be securely attached. Inspect shield support straps and lower clearance shield anchor points. <i>See Page 33, Section 7.4.</i> Make sure shield is installed correctly and secured in place if necessary. <i>See Page 33, Section 7.4.</i>
Wall Tag	If wall tag is present, make sure it is legible and accurate. Please contact Roberts-Gordon LLC or your ROBERTS GORDON® independent distributor, if you need a wall tag. <i>See Page 4, Section 2.1.</i>
Safety Labels	Product safety signs or labels should be replaced by the product user when they are no longer legible. Please contact Roberts-Gordon LLC or your ROBERTS GORDON® independent distributor to obtain replacement signs or labels. <i>See Page 2, Figure 1 through Page 3, Figure 2.</i>

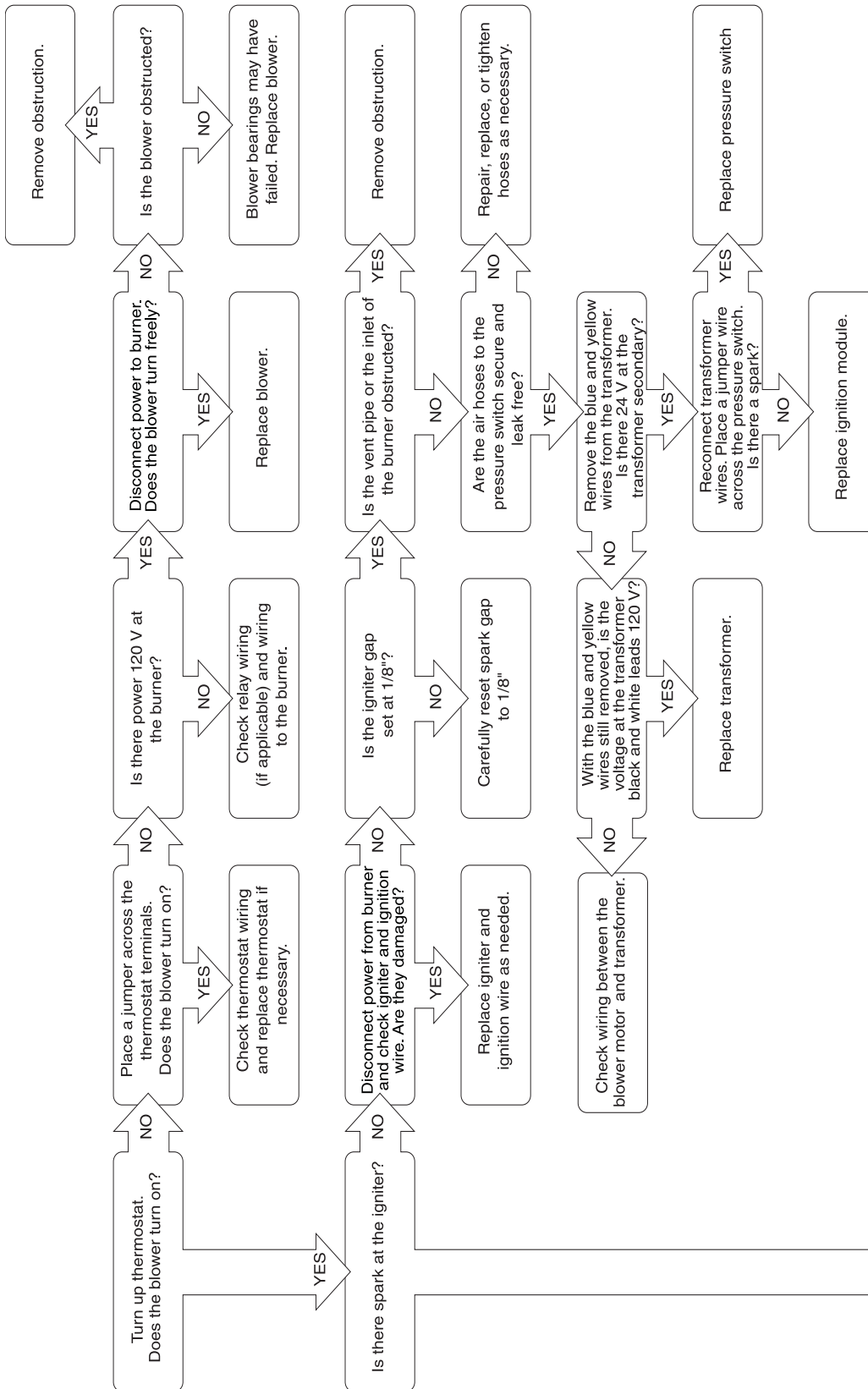
SECTION 12: TROUBLESHOOTING

⚠ DANGER

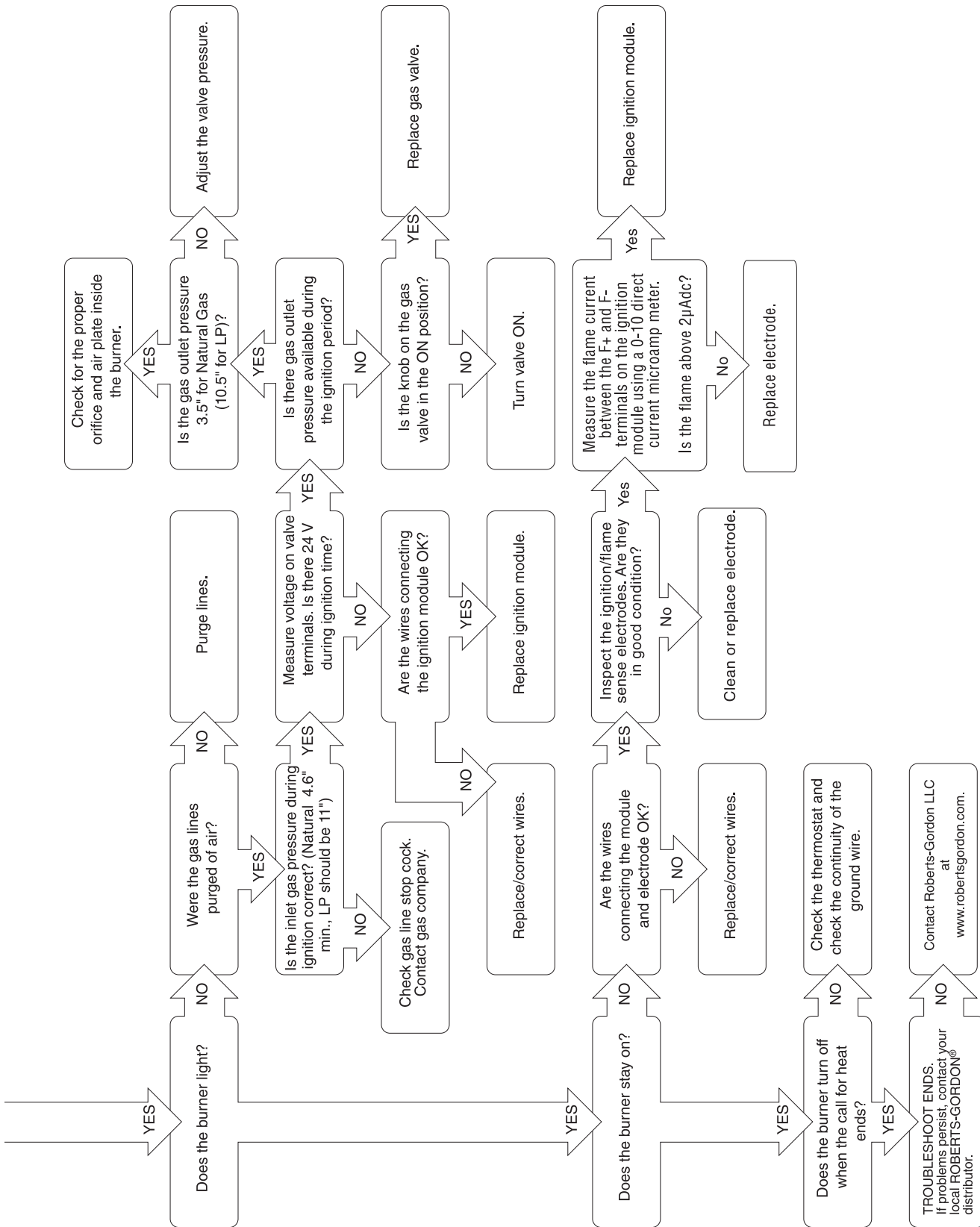
Electrical Shock Hazard
<p>Disconnect electric before service.</p> <p>Heater must be properly grounded.</p> <p>Failure to follow these instructions can result in death or electrical shock.</p>

⚠ WARNING			
			
Fire Hazard	Explosion Hazard	Burn Hazard	Cut/Pinch Hazard
<p>Keep all flammable objects, liquids and vapors the minimum required clearances to combustibles away from heater.</p> <p>Some objects will catch fire or explode when placed close to heater.</p>	<p>Turn off gas supply to heater before service.</p>	<p>Allow heater to cool before service.</p> <p>Tubing may still be hot after operation.</p>	<p>Wear protective gear during installation, operation and service.</p> <p>Edges are sharp.</p>
Failure to follow these instructions can result in death, injury or property damage.			

12.1 Troubleshooting Flow Chart

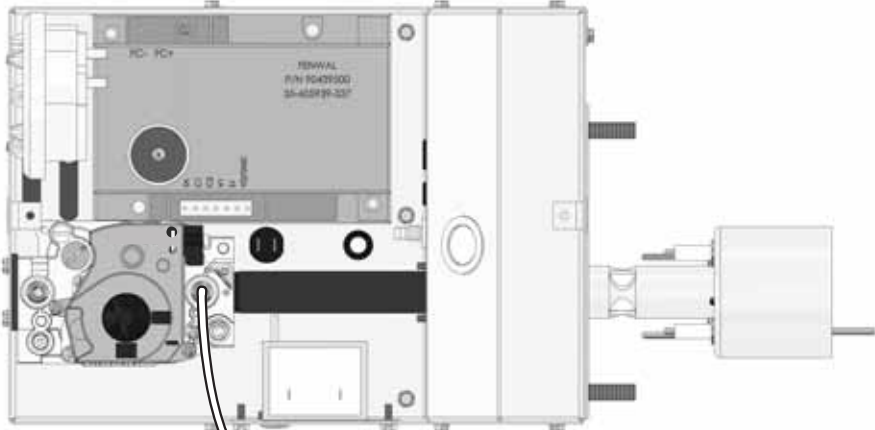


Module Diagnostic Codes:	
LED	Problem
4 second steady flash at start of cycle	Normal
Steady on	Microprocessor failure within module
Three flashes	Ignition lockout Lockout of module after 3 tries
	Solution
	Wait for valve to open
	Replace module
	Recycle unit: check for spark and valve opening and replace:if none, replace module

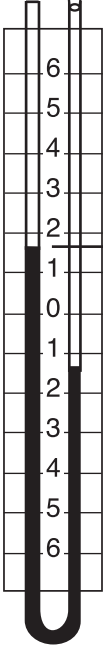


12.2 Manifold Gas Pressure Setting

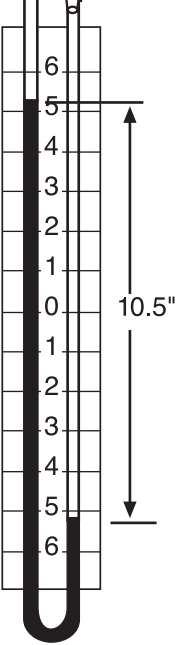
Side View of Heater



Manometer

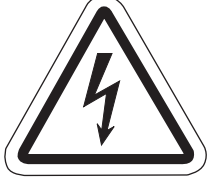





Natural



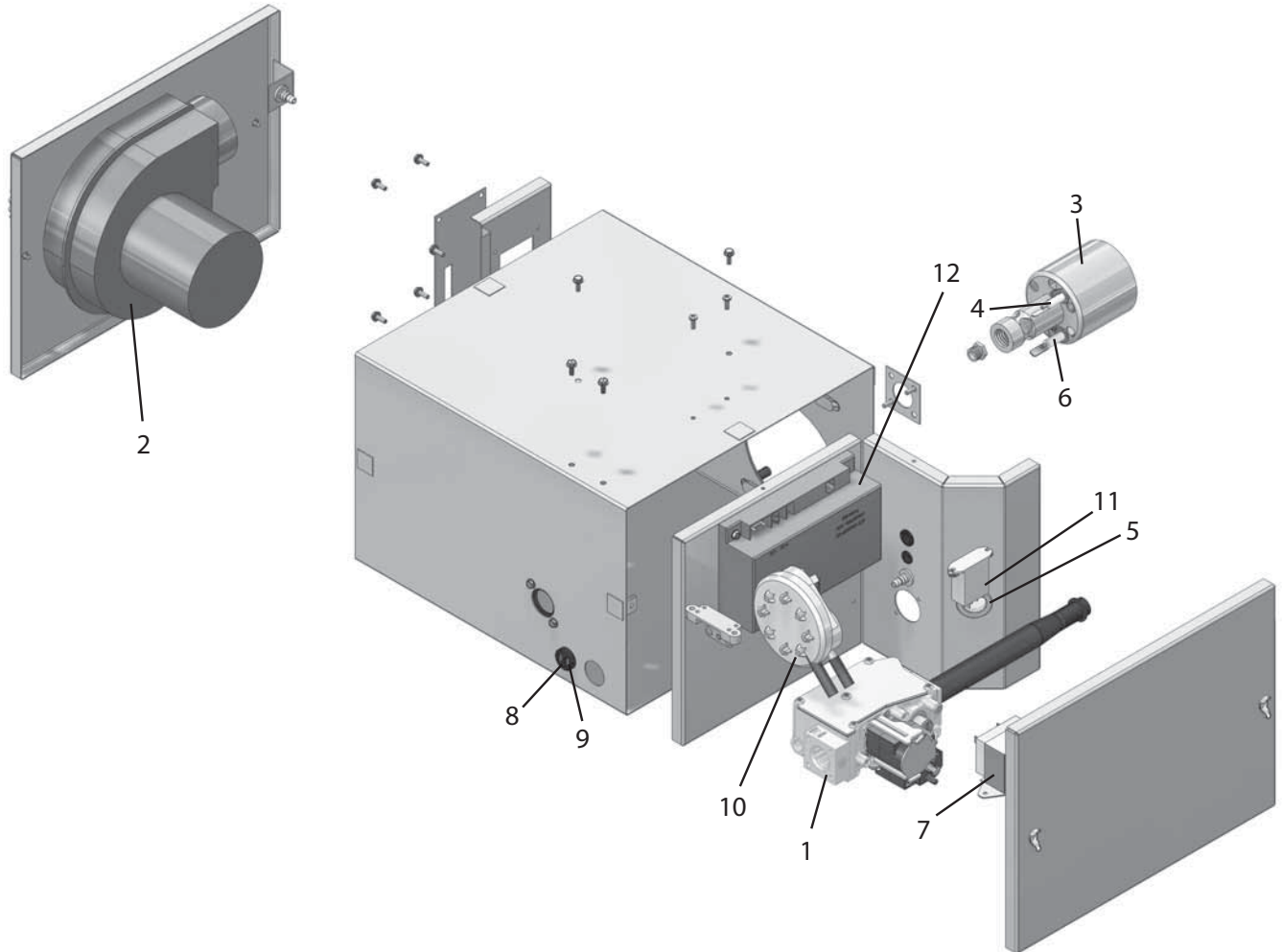
Propane

SECTION 13: REPLACEMENT PARTS

⚠ DANGER	⚠ WARNING		
			
Electrical Shock Hazard	Explosion Hazard	Fire Hazard	Carbon Monoxide Hazard
<p>Use only genuine ROBERTS GORDON® replacement parts per this installation, operation and service manual.</p> <p>Failure to follow these instructions can result in death, electric shock, injury or property damage.</p>			

See warnings and important information before removing or replacing parts. After any maintenance or repair work, always test fire the heater in accordance with the start-up instructions *on Page 47, Section 11* to help ensure all safety systems are in working order before leaving the heater to operate. Minor faults may be traced by using the troubleshooting charts *on Page 50, Section 12 through Page 53, Figure 12.2.*

FIGURE 25: Burner Exploded View



	Description	Part Number
1	Gas Valve (Natural)	90032510
1	Gas Valve (LP)	90032512
	Tube Gasket (Not Shown)	92700025
	Blower Inlet Gasket (Not Shown)	03050900
2	Motor and Blower Assembly	90708600-P
	Air Adapter Collar (Not Shown)	91911700
3	Burner Cup Assembly	03600051
4	Igniter	90439102
5	Mica Window Assembly	02553203
6	Flame Sensor	90439300
7	Transformer	90436900K
8	Thermostat Connection	91317900
9	Jumper Wire	03090900
10	Pressure Switch:	
	(80, 100, 125, 150, 175)	90439803K
	(40)	90439807K
	(60)	90439805K
	LED Burner Status Light (Not Shown)	91316103
11	24 Vac Relay	90447140
12	DSI Ignition Module	90439500K

SECTION 14: GENERAL SPECIFICATIONS

14.1 Material Specifications

14.1.1 Reflectors

.024 Aluminum
(optional .024 Stainless Steel Type 304)

14.2 Heater Specifications

14.2.1 Ignition

Fully automatic, three-try, direct spark, electronic ignition control, 100% safety shut-off.

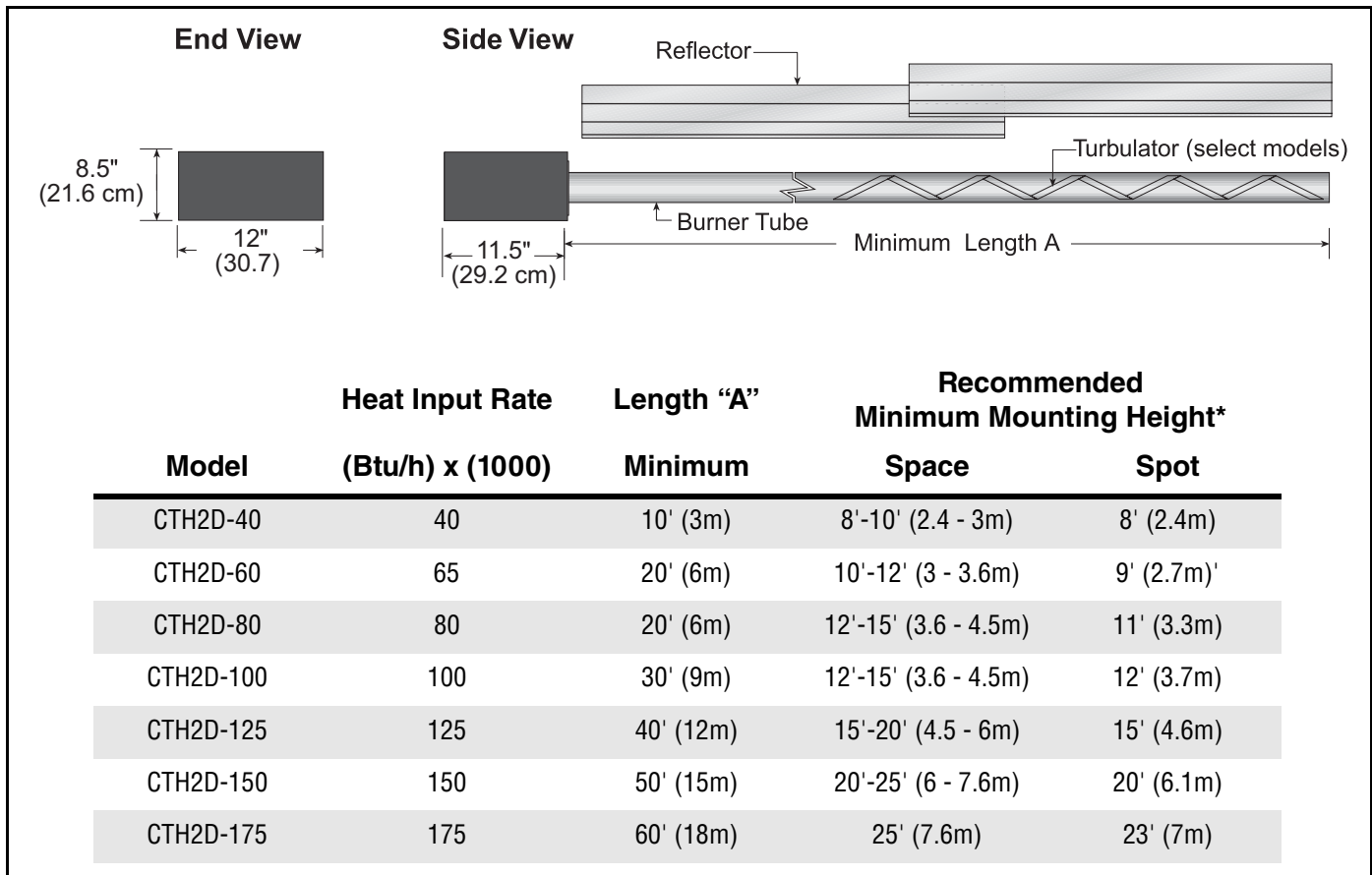
14.3 Suspension Specifications

Hang heater with materials with a minimum working load of 75 lbs (33 kg). See Page 16, Figure 15.

14.4 Controls Specifications

Time switches, thermostats, etc. can be wired into the electrical supply. External controls supplied as an optional extra.

General Specifications for the heaters are as follows:



*See Page 5, Section 3 for clearances to combustibles.

GAS PRESSURE AT MANIFOLD:

Natural Gas: 3.5" wc
LP Gas: 10.5" wc

PIPE CONNECTION:

1/2" NPT (for 40, 60, 80, 100, 125)
3/4" NPT (for 150 & 175)

DIMENSIONS:

Vent Connection Size: 4" (10 cm)
Outside Air Connection Size: 4" (10 cm)
Refer to figure above for dimensional information.

GAS INLET PRESSURE:

Natural Gas:
for 40,60,80,100,125,150 4.6" wc Minimum
for 175 5.0" wc Minimum
14.0" wc Maximum
LP Gas:
11.0" wc Minimum
14.0" wc Maximum

ELECTRICAL RATING (ALL MODELS):

120 V - 60 Hz., 1.0 A

SECTION 15: THE ROBERTS GORDON® COMPLETE™ CTH2D WARRANTY**ROBERTS-GORDON WILL PAY FOR:**

Within 36 months from date of purchase by buyer or 42 months from date of shipment by Roberts-Gordon LLC (whichever occurs first), replacement parts will be provided free of charge for any part of the product which fails due to a manufacturing or material defect.

Roberts-Gordon LLC will require the part in question to be returned to the factory. Roberts-Gordon LLC will, at its sole discretion, repair or replace after determining the nature of the defect and disposition of part in question.

ROBERTS GORDON® Replacement Parts are warranted for a period of 12 months from date of shipment from Roberts-Gordon LLC or the remaining ROBERTS GORDON® COMPLETE™ CTH2D warranty.

ROBERTS-GORDON WILL NOT PAY FOR:

Service trips, service calls and labor charges.

Shipment of replacement parts.

Claims where the total price of the goods have not been paid.

Damage due to:

- Improper installation, operation or maintenance.
- Misuse, abuse, neglect, or modification of the ROBERTS GORDON® COMPLETE™ CTH2D in any way.
- Use of the ROBERTS GORDON® COMPLETE™ CTH2D for other than its intended purpose.
- Incorrect gas or electrical supply, accident, fire, floods, acts of God, war, terrorism, or other casualty.
- Improper service, use of replacement parts or accessories not specified by Roberts-Gordon.
- Failure to install or maintain the ROBERTS GORDON® COMPLETE™ CTH2D as directed in the Installation, Operation and Service manual.
- Relocation of the ROBERTS GORDON® COMPLETE™ CTH2D after initial installation
- The use of the ROBERTS GORDON® COMPLETE™ CTH2D in a corrosive atmosphere containing contaminants.
- The use of the ROBERTS GORDON® COMPLETE™ CTH2D in the vicinity of a combustible or explosive material.
- Any defect in the ROBERTS GORDON® COMPLETE™ CTH2D arising from a drawing, design, or specification supplied by or on behalf of the consumer.
- Damage incurred during shipment. Claim must be filed with carrier.

WARRANTY IS VOID IF:

The ROBERTS GORDON® COMPLETE™ CTH2D is not installed by a contractor qualified in the installation and service of gas fired heating equipment.

You cannot prove original purchase date and required annual maintenance history.

The data plate and/or serial number are removed, defaced, modified or altered in any way.

The ownership of the ROBERTS GORDON® COMPLETE™ CTH2D is moved or transferred. This warranty is nontransferable.

Roberts-Gordon is not permitted to inspect the damaged controller and/or component parts.

READ YOUR INSTALLATION, OPERATION AND SERVICE MANUAL

If you have questions about your controller, contact your installing professional. Should you need Replacement Parts or have additional questions, call or write:

Roberts-Gordon LLC

1250 William Street

P.O. Box 44

Buffalo, New York 14240-0044

Telephone: +1.716.852.4400

Fax: +1.716.852.0854

Toll Free: 800.828.7450

www.robertsgordon.com

Roberts-Gordon LLC's liability, and your exclusive remedy, under this warranty or any implied warranty (including the implied warranties of merchantability and fitness for a particular purpose) is limited to providing replacement parts during the term of this warranty. Some jurisdictions do not allow limitations on how long an implied warranty lasts, so this limitation may not apply to you. There are no rights, warranties or conditions, expressed or implied, statutory or otherwise, other than those contained in this warranty.

Roberts-Gordon LLC shall in no event be responsible for incidental or consequential damages or incur liability for damages in excess of the amount paid by you for the ROBERTS GORDON® COMPLETE™ CTH2D. Some jurisdictions do not allow the exclusion or limitation of incidental or consequential damages, so this limitation or exclusion may not apply to you. This warranty gives you specific legal rights, and you may also have other rights which vary from jurisdiction to jurisdiction.

Roberts-Gordon shall not be responsible for failure to perform under the terms of this warranty if caused by circumstances out of its control, including but not limited to war, fire, flood, strike, government or court orders, acts of God, terrorism, unavailability of supplies, parts or power. No person is authorized to assume for Roberts-Gordon any other warranty, obligation or liability.

LIMITATIONS ON AUTHORITY OF REPRESENTATIVES:

No representative of Roberts-Gordon LLC, other than an Executive Officer, has authority to change or extend these provisions. Changes or extensions shall be binding only if confirmed in writing by Roberts-Gordon LLC's duly authorized Executive Officer.

OWNER WARRANTY REGISTRATION CARD

Mail or Fax to:
Roberts Gordon LLC • 1250 William Street, P.O. Box 44 • Buffalo, NY 14240-0044 • Phone: 716-852-4400 • Fax: 716-852-0854
Toll Free: 800-828-7450 • www.robertsgordon.com

About the Owner:

Name: _____
Address: _____ City: _____ State: _____ Zip Code: _____
Phone: _____ Fax: _____ E-mail: _____

About the Installer:

Name: _____
Address: _____ City: _____ State: _____ Zip Code: _____
Phone: _____ Fax: _____ E-mail: _____

Purchased From (if different than installer):

Name: _____
Address: _____ City: _____ State: _____ Zip Code: _____
Phone: _____ Fax: _____ E-mail: _____

About your Heater:

Model#: _____ Serial #: _____ Fuel: _____ Installation Date: _____

Type of Installation (check one):

Automotive Manufacturing Warehouse Recreational Aircraft
 Public Building Office Retail Agricultural Other _____

Installation Code and Annual Inspections: All installation and service of ROBERTS GORDON® equipment must be performed by a contractor qualified in the installation and service of equipment sold and supplied by Roberts-Gordon LLC and conform to all requirements set forth in the ROBERTS GORDON® manuals and all applicable governmental authorities pertaining to the installation, service, operation and labeling of the equipment.

To help facilitate optimum performance and safety, Roberts-Gordon LLC recommends that a qualified contractor conduct, at a minimum, annual inspections of your ROBERTS GORDON® equipment and perform service where necessary, using only replacement parts sold and supplied by Roberts-Gordon LLC.

These products are not for residential use.

This product is intended to assist licensed professionals in the exercise of their professional judgment.

© 2016 Roberts-Gordon LLC - All rights reserved. No part of this work covered by the copyrights herein may be reproduced or copied in any form or by any means – graphic, electronic, or mechanical, including photocopying, recording, taping, or information storage and retrieval systems – without written permission of Roberts Gordon LLC.
Printed in the U.S.A.

Attach this information to a wall near the ROBERTS GORDON® heater.

ROBERTS GORDON®

Infrared Heating

Read the Installation, Operation, and Service Manual thoroughly before installation, operation, or service.

Know your model number and installed configuration.

Model number and installed configuration are found on the burner and in the Installation, Operation and Service Manual.

Write the largest clearance dimensions with permanent ink according to your model number and configuration in the open spaces below.

OPERATING INSTRUCTIONS

1. STOP! Read all safety instructions on this information sheet.
2. Open the manual gas valve in the heater supply line.
3. Turn on electric power to the heater.
4. Set the thermostat to desired setting.

TO TURN OFF THE HEATER

1. Set the thermostat to off or the lowest setting.

IF THE HEATER WILL NOT OPERATE, TO ENSURE YOUR SAFETY, FOLLOW THESE INSTRUCTIONS TO SHUT DOWN YOUR HEATER

1. Set the thermostat to off or the lowest setting.
2. Turn off electric power to the heater.
3. Turn off the manual gas valve in the heater supply line.
4. Call your registered installer/contractor qualified in the installation and service of gas-fired heating equipment.

⚠ WARNING



Fire Hazard

Keep all flammable objects, liquids and vapors the minimum required clearances to combustibles away from heater.

Some objects will catch fire or explode when placed close to heater.

Failure to follow these instructions can result in death, injury or property damage.

**Maintain _____ clearance
to the side and
_____ clearance below
the heater from vehicles
and combustible materials.**

Roberts-Gordon LLC
1250 William Street
P.O. Box 44
Buffalo, NY 14240-0044 USA
Telephone: +1.716.852.4400
Fax: +1.716.852.0854
Toll Free: 800.828.7450

Installation Code and Annual Inspections:

All installation and service of ROBERTS GORDON® equipment must be performed by a contractor qualified in the installation and service of equipment sold and supplied by Roberts-Gordon and conform to all requirements set forth in the ROBERTS GORDON® manuals and all applicable governmental authorities pertaining to the installation, service, operation and labeling of the equipment. To help facilitate optimum performance and safety, Roberts-Gordon recommends that a qualified contractor conduct, at a minimum, annual inspections of your ROBERTS GORDON® equipment and perform service where necessary, using only replacement parts sold and supplied by Roberts-Gordon.

Further Information: Applications, engineering and detailed guidance on systems design, installation and equipment performance is available through ROBERTS GORDON® representatives. Please contact us for any further information you may require, including the Installation, Operation and Service Manual.

This product is not for residential use.

© 2015 Roberts-Gordon LLC

All rights reserved. No part of this work covered by the copyrights herein may be reproduced or copied in any form or by any means – graphic, electronic, or mechanical, including photocopying, recording, taping, or information storage and retrieval systems – without written permission of Roberts-Gordon LLC.

www.robertsgordon.com

P/N 91037912 Rev. K