

ROBERTS GORDON®
COMPLETE™
Model HED

**Gas-Fired, Low Intensity
Unitary Heater
For Harsh Environments**

**Installation, Operation &
Service Manual**

**HED-40
HED-60
HED-80
HED-100
HED-125
HED-150
HED-175**

FOR YOUR SAFETY

If you smell gas:

1. Open windows.
2. **DO NOT** try to light any appliance.
3. **DO NOT** use electrical switches.
4. **DO NOT** use any telephone in your building.
5. Extinguish any open flame.
6. Leave the building.
7. Immediately call your local gas supplier after leaving the building. Follow the gas supplier's instructions.
8. If you cannot reach your gas supplier, call the Fire Department.

⚠ WARNING



Fire Hazard

Keep all flammable objects, liquids and vapors the minimum required clearances to combustibles away from heater.

Some objects will catch fire or explode when placed close to heater.

Failure to follow these instructions can result in death, injury or property damage.

⚠ WARNING

Improper installation, adjustment, alteration, service or maintenance can result in death, injury or property damage. Read the Installation, Operation and Service Manual thoroughly before installing or servicing this equipment.

Installation must be done by a contractor qualified in the installation and service of gas-fired heating equipment or your gas supplier.

Installer

Please take the time to read and understand these instructions prior to any installation. Installer must give a copy of this manual to the owner.

Owner

Keep this manual in a safe place in order to provide your service technician with necessary information.



Roberts-Gordon LLC
1250 William Street
P.O. Box 44
Buffalo, New York 14240-0044
Telephone: +1.716.852.4400
Fax: +1.716.852.0854
Toll Free: 800.828.7450

www.robertsgordon.com

TABLE OF CONTENTS

SECTION 1: Heater Safety	1	10.4 Electrical Connection to the Burner Box Using Line Voltage Thermostat on Control	49
1.1 Manpower Requirements	1	10.5 For External Thermostat Connection.....	49
1.2 Safety Labels and Their Placement	1	10.6 Electrical Connection to Burner Box with Optional External Low Voltage Thermostat.....	49
1.3 California Proposition 65	1	10.7 Internal Wiring.....	50
SECTION 2: Installer Responsibility	4	10.8 Ladder Diagram	50
2.1 Wall Tag	4	SECTION 11: Operation and Maintenance	51
2.2 Corrosive Chemicals.....	4	11.1 Sequence of Operation	51
2.3 National Standards and Applicable Codes	4	11.2 To Shut Off Heater.....	51
SECTION 3: Clearances to Combustibles	5	11.3 To Start Heater	51
3.1 Required Clearances to Combustibles.....	5	11.4 Pre-Season Maintenance and Annual Inspection.....	51
SECTION 4: National Standards and Applicable Codes	9	11.5 Maintenance Checklist	52
4.1 Gas Codes.....	9	SECTION 12: Troubleshooting	54
4.2 Aircraft Hangars	9	12.1 Troubleshooting Flow Chart	55
4.3 Public Garages	9	12.2 Manifold Gas Pressure Setting	57
4.4 Electrical	9	SECTION 13: Replacement Parts	58
4.5 Venting.....	9	SECTION 14: General Specifications	60
4.6 High Altitude	9	14.1 Material Specifications.....	60
SECTION 5: Major Components	10	14.2 Heater Specifications.....	60
5.1 Standard Parts List	12	14.3 Suspension Specifications.....	60
SECTION 6: Heater Installation	15	14.4 Controls Specifications	60
6.1 Outdoor Mounting.....	17	SECTION 15: The ROBERTS GORDON® COMPLETE™ HED Warranty	61
SECTION 7: Optional Heater Accessories	27		
7.1 U-Tube Configuration.....	27		
7.2 Elbow Package Configuration.....	31		
7.3 Reflector Side Extension	33		
7.4 Lower Clearance Shield Installation	34		
7.5 Two-Foot Decorative Grille Installation	34		
7.6 Protective Grille Installation	36		
SECTION 8: Venting	37		
8.1 General Venting Requirements.....	37		
8.2 Unvented Operation.....	37		
8.3 Horizontal Venting.....	38		
8.4 Vertical Venting.....	38		
8.5 Unvented Operation Tube Termination	38		
8.6 Length Requirements	38		
8.7 Horizontal Ventilation 4" (10 cm) Pipe.....	40		
8.8 Vertical Ventilation 4" (10 cm) Pipe.....	41		
8.10 Common Vertical Venting	42		
8.11 Outside Combustion Air Supply	43		
SECTION 9: Gas Piping	45		
SECTION 10: Wiring	47		
10.1 Line Voltage Thermostat Wiring.....	47		
10.2 Low Voltage Thermostat with One Burner	47		
10.3 Low Voltage Thermostat Wiring with Multiple Burners	48		

© 2018 Roberts-Gordon LLC

All rights reserved. No part of this work covered by the copyrights herein may be reproduced or copied in any form or by any means - graphic, electronic, or mechanical, including photocopying, recording, taping or information storage and retrieval systems - without the written permission of Roberts-Gordon LLC.

TABLE OF FIGURES

Figure 1: Top and Bottom Panel Label Placement	2
Figure 2: Side and Back Panel Label Placement	3
Figure 13: Major Component Descriptions - Standard Reflector	10
Figure 14: Major Component Descriptions - High Efficiency Reflector.....	11
Figure 15: Critical Hanger Placement	16
Figure 16: Critical Hanger Placement (Outdoor Installation)...	17
Figure 17: Linear Heater Assembly Overview	18
Figure 18: Linear Heater Layout Overview.....	19
Figure 19: Linear Heater Layout Overview (Continued)	20
Figure 20: U-Tube Heater Assembly Overview	28
Figure 21: U-Tube Heater Layout Overview	29
Figure 22: U-Tube Heater Layout Overview (Continued)	30
Figure 23: Reflector Joint Detail	32
Figure 24: Tube Termination	38
Figure 25: Combustion Air Weather Vent (P/N 03700009)	39
Figure 26: Venting Options.....	40
Figure 27: Gas Connection with Flexible Gas Hose	46
Figure 28: Burner Exploded View	59

SECTION 1: HEATER SAFETY



Your Safety is Important to Us!
This symbol is used throughout the manual to notify you of possible fire, electrical or burn hazards. Please pay special attention when reading and following the warnings in these sections.

Installation, service and annual inspection of heater must be done by a contractor qualified in the installation and service of gas-fired heating equipment.

Read this manual carefully before installation, operation or service of this equipment.

This heater is designed for heating nonresidential indoor spaces. Do not install in residential spaces. This heater is not certified to meet the requirements of NFPA30A-2012 Section 7.6.6. (maximum tube temperature of 750 °F (399 °C)). Do not install this heater in facilities where compressed natural gas (CNG) or liquid natural gas (LNG) are present. These instructions, the layout drawing, local codes and ordinances, and applicable standards that apply to gas piping, electrical wiring, venting, etc. must be thoroughly understood before proceeding with the installation.

Protective gear is to be worn during installation, operation and service in accordance to the Occupational Safety and Hazard Administration (OSHA). Gear must be in accordance to NFPA 70E, latest revision when working with electrical components. Thin sheet metal parts have sharp edges. To prevent injury, the use of work gloves is recommended. The use of gloves will also prevent the transfer of body oils from the hands to the surface of the reflector.

Before installation, check that the local distribution conditions, nature of gas and pressure, and adjustment of the appliance are compatible.

This heater must be applied and operated under the general concepts of reasonable use and installed using best building practices.

This appliance is not intended for use by persons (including children) with reduced physical, sensory or mental capabilities, or lack of experience and knowledge, unless they have been given supervision or instruction concerning use of the appliance by a person responsible for their safety. Children should be supervised to ensure that they do no play with the appliance.

For additional copies of the Installation, Operation and Service Manual, please contact Roberts-Gordon LLC.

1.1 Manpower Requirements

To prevent personal injury and damage to the heater, two persons will be required for installation.

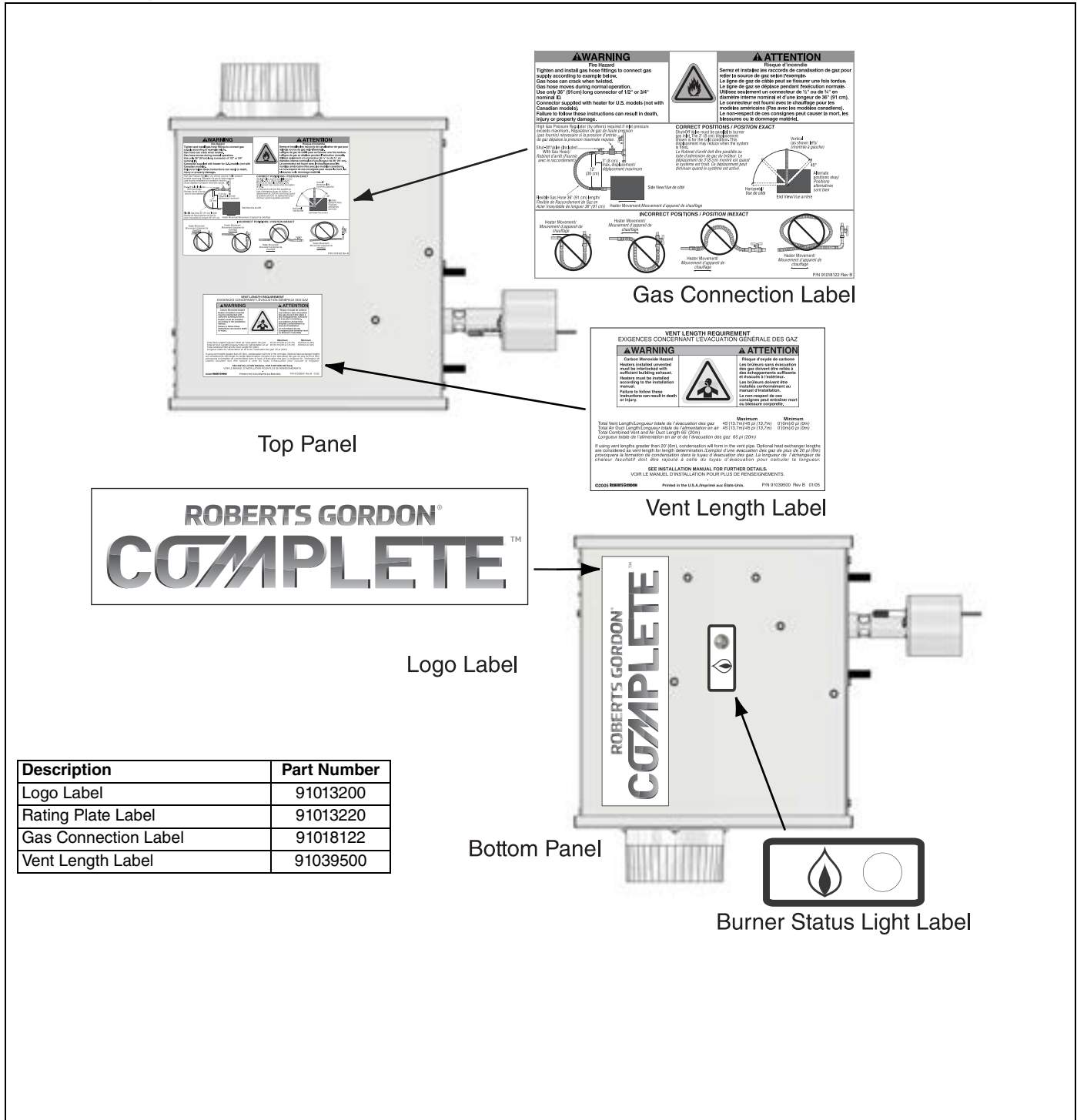
1.2 Safety Labels and Their Placement

Product safety signs or labels should be replaced by the product user when they are no longer legible. Please contact Roberts-Gordon or your ROBERTS GORDON® independent distributor to obtain replacement signs or labels. See *Page 2, Figure 1 through Page 3, Figure 2*.

1.3 California Proposition 65

In accordance with California Proposition 65 requirements, a warning label must be placed in a highly visible location on the outside of the equipment (i.e., near equipment's serial plate). See label placement drawing on *Page 2, Figure 1* for label location. Avoid placing label on areas with extreme heat, cold, corrosive chemicals or other elements. To order additional labels, please contact Roberts-Gordon LLC or your ROBERTS GORDON® independent distributor.

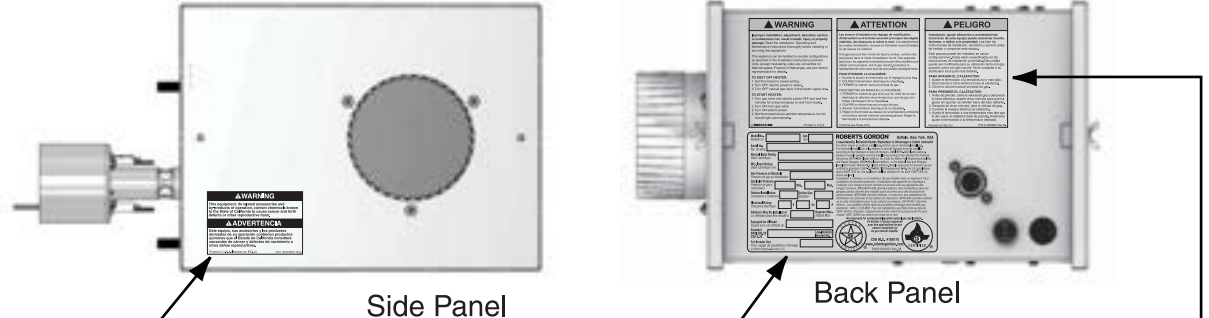
FIGURE 1: Top and Bottom Panel Label Placement



**ROBERTS GORDON®
COMPLETE™**

Description	Part Number
Logo Label	91013200
Rating Plate Label	91013220
Gas Connection Label	91018122
Vent Length Label	91039500

FIGURE 2: Side and Back Panel Label Placement



WARNING
This equipment, its related accessories and hyperstructure of operation, contain chemicals known to the State of California to cause cancer and birth defects or other reproductive harm.

ADVERTENCIA
Este equipo, sus accesorios y sus productos derivados de su operación contienen productos químicos que el Estado de California considera causantes de cáncer y defectos de nacimiento u otros daños reproductivos.

Printed in U.S.A./Imprimé en E.E.U.U. P/N 91070016 D01

Proposition 65 Label

Model No. _____ **Gas** _____ **ROBERTS GORDON** Buffalo, New York, USA
Serial No. _____ **Low-intensity Infrared Heater/Radiateur à infrarouge à faible intensité**
 For other indoor or outdoor installation, see the instructions for the applicable model.
 For horizontal installation only, heaters in aircraft hangars must be installed according to the Standard on Aircraft Hangars, ANSI/NFPA-409. Heaters in public garages must be installed according to the Standard for Parking Structures, NFPA-949. (Based edition, the Code for Motor Fuel Dispensing Facilities and Repair Garages, NFPA-949A. (Based edition), or the National Gas and Pressure Installation Code, CSA B141.1. (Based edition). Models approved for propane gas are certified to standard CAN12-253-MS. US Requirement B-44. For US installations above 2000' (610 m), the regulator shall be derated 4% for each 1000' (305 m) above sea level.
 Installation à l'intérieur ou à l'extérieur: Ne pas installer dans un logement. Pour installation horizontale seulement. L'installation des appareils de chauffage à l'intérieur d'un hangar d'avion doit être en accord avec les règlements des hangars d'avions, ANSI/NFPA-409 (dernière édition). Des restrictions dans les garages publics doivent être établies selon la norme pour des structures de stationnement de carburant et des centres de réparation, NFPA-949A (dernière édition) ou le code d'installation pour le gaz naturel ou propane, CSA B141 (dernière édition). Les modèles approuvés pour les installations aux États-Unis au-delà de 2000' (610 m) doivent être réglés en puissance de 4% pour chaque 1000' (305 m) au-dessus du niveau de la mer.
 Not approved for compressed/liquefied natural gas applications.
 Ce brûleur n'est pas approuvé pour des applications de gaz comprimé ou liquéfié.
 CNA I.C. #189175
 www.robertsgordon.com
 P/N 91010401 Rev. M

Rating Plate Label

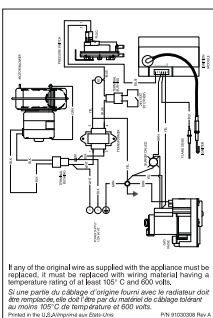
WARNING
Improper installation, adjustment, alteration, service or maintenance can result in fire, explosion, electric shock, injury or property damage. Read the instructions. Observe and follow all safety warnings. Maintenance instructions thoroughly before installing or servicing this equipment.

ATTENTION
Les erreurs d'installation de réglage de modification, d'entretien ou d'entretien peuvent provoquer des dangers, incendies, des blessures et même la mort. Lire attentivement les instructions de maintenance et de service avant d'installer ou de réparer ce matériel.

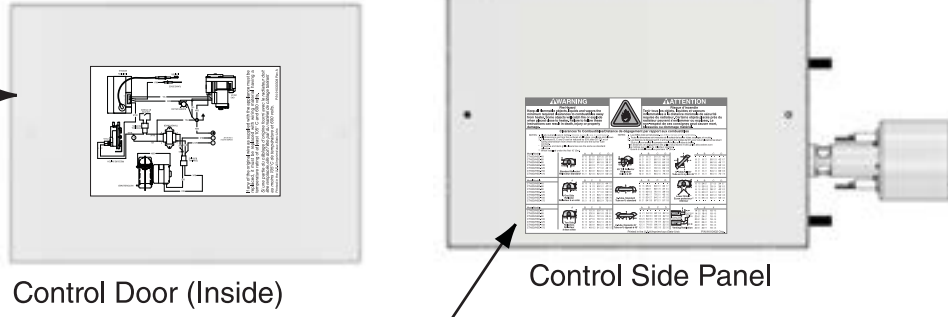
PELIGRO
Instalación, ajuste, alteración o mantenimiento incorrecto de este equipo puede ocasionar muerte, lesiones, o daños a su propiedad. Lea los instrucciones de instalación, operación y servicio antes de instalar o reparar este equipo.

POUR ARRÊTER LE CHAUFFEUR:
1. Tourner le bouton du thermostat sur le réglage le plus bas.
2. Couper l'alimentation électrique du chauffage.
3. Retirer le réflecteur frontal du gaz.
4. Couper le gaz.
5. Couper l'alimentation électrique du gaz.
6. Couper le gaz.
7. Couper l'alimentation électrique du gaz.
8. Couper le gaz.
9. Couper l'alimentation électrique du gaz.
10. Couper le gaz.
11. Couper l'alimentation électrique du gaz.
12. Couper le gaz.
13. Couper l'alimentation électrique du gaz.
14. Couper le gaz.
15. Couper l'alimentation électrique du gaz.
16. Couper le gaz.
17. Couper l'alimentation électrique du gaz.
18. Couper le gaz.
19. Couper l'alimentation électrique du gaz.
20. Couper le gaz.
21. Couper l'alimentation électrique du gaz.
22. Couper le gaz.
23. Couper l'alimentation électrique du gaz.
24. Couper le gaz.
25. Couper l'alimentation électrique du gaz.
26. Couper le gaz.
27. Couper l'alimentation électrique du gaz.
28. Couper le gaz.
29. Couper l'alimentation électrique du gaz.
30. Couper le gaz.
31. Couper l'alimentation électrique du gaz.
32. Couper le gaz.
33. Couper l'alimentation électrique du gaz.
34. Couper le gaz.
35. Couper l'alimentation électrique du gaz.
36. Couper le gaz.
37. Couper l'alimentation électrique du gaz.
38. Couper le gaz.
39. Couper l'alimentation électrique du gaz.
40. Couper le gaz.
41. Couper l'alimentation électrique du gaz.
42. Couper le gaz.
43. Couper l'alimentation électrique du gaz.
44. Couper le gaz.
45. Couper l'alimentation électrique du gaz.
46. Couper le gaz.
47. Couper l'alimentation électrique du gaz.
48. Couper le gaz.
49. Couper l'alimentation électrique du gaz.
50. Couper le gaz.
51. Couper l'alimentation électrique du gaz.
52. Couper le gaz.
53. Couper l'alimentation électrique du gaz.
54. Couper le gaz.
55. Couper l'alimentation électrique du gaz.
56. Couper le gaz.
57. Couper l'alimentation électrique du gaz.
58. Couper le gaz.
59. Couper l'alimentation électrique du gaz.
60. Couper le gaz.
61. Couper l'alimentation électrique du gaz.
62. Couper le gaz.
63. Couper l'alimentation électrique du gaz.
64. Couper le gaz.
65. Couper l'alimentation électrique du gaz.
66. Couper le gaz.
67. Couper l'alimentation électrique du gaz.
68. Couper le gaz.
69. Couper l'alimentation électrique du gaz.
70. Couper le gaz.
71. Couper l'alimentation électrique du gaz.
72. Couper le gaz.
73. Couper l'alimentation électrique du gaz.
74. Couper le gaz.
75. Couper l'alimentation électrique du gaz.
76. Couper le gaz.
77. Couper l'alimentation électrique du gaz.
78. Couper le gaz.
79. Couper l'alimentation électrique du gaz.
80. Couper le gaz.
81. Couper l'alimentation électrique du gaz.
82. Couper le gaz.
83. Couper l'alimentation électrique du gaz.
84. Couper le gaz.
85. Couper l'alimentation électrique du gaz.
86. Couper le gaz.
87. Couper l'alimentation électrique du gaz.
88. Couper le gaz.
89. Couper l'alimentation électrique du gaz.
90. Couper le gaz.
91. Couper l'alimentation électrique du gaz.
92. Couper le gaz.
93. Couper l'alimentation électrique du gaz.
94. Couper le gaz.
95. Couper l'alimentation électrique du gaz.
96. Couper le gaz.
97. Couper l'alimentation électrique du gaz.
98. Couper le gaz.
99. Couper l'alimentation électrique du gaz.
100. Couper le gaz.

Lighting Instruction Plate Label



Wiring Label



Control Door (Inside)

WARNING
Keep all flammable objects, fluids and vapors the minimum required clearances to combustibles away from heater. Failure to follow these instructions can result in death, injury or property damage.

ATTENTION
Tenir tous les objets, fluides et vapeurs inflammables à la distance minimale de sécurité requise des combustibles. L'absence de ces mesures de sécurité peut entraîner la mort, des blessures ou des dommages matériels.

Clearances to Combustibles/Distance de dégagement par combustibles

NOTES: 1. Use a minimum of 1/2" clearance to combustibles. 2. Use a minimum of 1/2" clearance to combustibles. 3. Use a minimum of 1/2" clearance to combustibles. 4. Use a minimum of 1/2" clearance to combustibles. 5. Use a minimum of 1/2" clearance to combustibles. 6. Use a minimum of 1/2" clearance to combustibles. 7. Use a minimum of 1/2" clearance to combustibles. 8. Use a minimum of 1/2" clearance to combustibles. 9. Use a minimum of 1/2" clearance to combustibles. 10. Use a minimum of 1/2" clearance to combustibles. 11. Use a minimum of 1/2" clearance to combustibles. 12. Use a minimum of 1/2" clearance to combustibles. 13. Use a minimum of 1/2" clearance to combustibles. 14. Use a minimum of 1/2" clearance to combustibles. 15. Use a minimum of 1/2" clearance to combustibles. 16. Use a minimum of 1/2" clearance to combustibles. 17. Use a minimum of 1/2" clearance to combustibles. 18. Use a minimum of 1/2" clearance to combustibles. 19. Use a minimum of 1/2" clearance to combustibles. 20. Use a minimum of 1/2" clearance to combustibles. 21. Use a minimum of 1/2" clearance to combustibles. 22. Use a minimum of 1/2" clearance to combustibles. 23. Use a minimum of 1/2" clearance to combustibles. 24. Use a minimum of 1/2" clearance to combustibles. 25. Use a minimum of 1/2" clearance to combustibles. 26. Use a minimum of 1/2" clearance to combustibles. 27. Use a minimum of 1/2" clearance to combustibles. 28. Use a minimum of 1/2" clearance to combustibles. 29. Use a minimum of 1/2" clearance to combustibles. 30. Use a minimum of 1/2" clearance to combustibles. 31. Use a minimum of 1/2" clearance to combustibles. 32. Use a minimum of 1/2" clearance to combustibles. 33. Use a minimum of 1/2" clearance to combustibles. 34. Use a minimum of 1/2" clearance to combustibles. 35. Use a minimum of 1/2" clearance to combustibles. 36. Use a minimum of 1/2" clearance to combustibles. 37. Use a minimum of 1/2" clearance to combustibles. 38. Use a minimum of 1/2" clearance to combustibles. 39. Use a minimum of 1/2" clearance to combustibles. 40. Use a minimum of 1/2" clearance to combustibles. 41. Use a minimum of 1/2" clearance to combustibles. 42. Use a minimum of 1/2" clearance to combustibles. 43. Use a minimum of 1/2" clearance to combustibles. 44. Use a minimum of 1/2" clearance to combustibles. 45. Use a minimum of 1/2" clearance to combustibles. 46. Use a minimum of 1/2" clearance to combustibles. 47. Use a minimum of 1/2" clearance to combustibles. 48. Use a minimum of 1/2" clearance to combustibles. 49. Use a minimum of 1/2" clearance to combustibles. 50. Use a minimum of 1/2" clearance to combustibles. 51. Use a minimum of 1/2" clearance to combustibles. 52. Use a minimum of 1/2" clearance to combustibles. 53. Use a minimum of 1/2" clearance to combustibles. 54. Use a minimum of 1/2" clearance to combustibles. 55. Use a minimum of 1/2" clearance to combustibles. 56. Use a minimum of 1/2" clearance to combustibles. 57. Use a minimum of 1/2" clearance to combustibles. 58. Use a minimum of 1/2" clearance to combustibles. 59. Use a minimum of 1/2" clearance to combustibles. 60. Use a minimum of 1/2" clearance to combustibles. 61. Use a minimum of 1/2" clearance to combustibles. 62. Use a minimum of 1/2" clearance to combustibles. 63. Use a minimum of 1/2" clearance to combustibles. 64. Use a minimum of 1/2" clearance to combustibles. 65. Use a minimum of 1/2" clearance to combustibles. 66. Use a minimum of 1/2" clearance to combustibles. 67. Use a minimum of 1/2" clearance to combustibles. 68. Use a minimum of 1/2" clearance to combustibles. 69. Use a minimum of 1/2" clearance to combustibles. 70. Use a minimum of 1/2" clearance to combustibles. 71. Use a minimum of 1/2" clearance to combustibles. 72. Use a minimum of 1/2" clearance to combustibles. 73. Use a minimum of 1/2" clearance to combustibles. 74. Use a minimum of 1/2" clearance to combustibles. 75. Use a minimum of 1/2" clearance to combustibles. 76. Use a minimum of 1/2" clearance to combustibles. 77. Use a minimum of 1/2" clearance to combustibles. 78. Use a minimum of 1/2" clearance to combustibles. 79. Use a minimum of 1/2" clearance to combustibles. 80. Use a minimum of 1/2" clearance to combustibles. 81. Use a minimum of 1/2" clearance to combustibles. 82. Use a minimum of 1/2" clearance to combustibles. 83. Use a minimum of 1/2" clearance to combustibles. 84. Use a minimum of 1/2" clearance to combustibles. 85. Use a minimum of 1/2" clearance to combustibles. 86. Use a minimum of 1/2" clearance to combustibles. 87. Use a minimum of 1/2" clearance to combustibles. 88. Use a minimum of 1/2" clearance to combustibles. 89. Use a minimum of 1/2" clearance to combustibles. 90. Use a minimum of 1/2" clearance to combustibles. 91. Use a minimum of 1/2" clearance to combustibles. 92. Use a minimum of 1/2" clearance to combustibles. 93. Use a minimum of 1/2" clearance to combustibles. 94. Use a minimum of 1/2" clearance to combustibles. 95. Use a minimum of 1/2" clearance to combustibles. 96. Use a minimum of 1/2" clearance to combustibles. 97. Use a minimum of 1/2" clearance to combustibles. 98. Use a minimum of 1/2" clearance to combustibles. 99. Use a minimum of 1/2" clearance to combustibles. 100. Use a minimum of 1/2" clearance to combustibles.

Clearances to Combustibles Label

Description	Part Number
Rating Plate Label	91010401
Lighting Instruction Plate Label	91029602
Wiring Label	91030308
Clearances to Combustibles Label	91013432
Proposition 65 Label	91070016

SECTION 2: INSTALLER RESPONSIBILITY

The installer is responsible for the following:

- To install the heater, as well as the gas and electrical supplies, in accordance with applicable specifications and codes. Roberts-Gordon recommends the installer contact a local Building Inspector or Fire Marshal for guidance.
- To use the information given in a layout drawing and in the manual together with the cited codes and regulations to perform the installation.
- To install the heater in accordance with the clearances to combustibles.
- To furnish all needed materials not furnished as standard equipment.
- To plan location of supports.
- To provide access to burners for servicing on all sides for burner removal.
- To provide the owner with a copy of this installation, operation and service manual.
- To never use heater as support for a ladder or other access equipment and never hang or suspend anything from heater.
- To ensure there is adequate air circulation around the heater and to supply air for combustion, ventilation and distribution in accordance with local codes.
- To safely and adequately install heater using materials with a minimal working load of 75 lbs (33 kg).
- To ensure the heater is placed in a approved application.

2.1 Wall Tag

A laminated wall tag is available for the heater as a permanent reminder of the safety instructions and the importance of the required clearances to combustibles. Please contact Roberts-Gordon or your ROBERTS GORDON® independent distributor to obtain the wall tag. Affix the tag by peeling off the backing of the adhesive strips on the rear surface and position the tag on a wall near the heater (e.g. thermostat or ROBERTS GORDON® Controller).

A copy of the wall tag (P/N 91037912) is illustrated on the back cover. For an immediate solution, you may affix this copy on the wall near the heater.

Know your model number and installed configuration. Model number and installed configuration are found

on the burner and in the Installation, Operation and Service Manual. See Page 5, Figure 3 through Page 8, Figure 12. Write the proper clearance dimensions in permanent ink according to your model number and configuration in the open spaces on the tag.

2.2 Corrosive Chemicals


<p>Product Damage Hazard</p> <p>Do not use heater in area containing corrosive chemicals.</p> <p>Refer to appropriate Material Safety Data Sheets (MSDS).</p> <p>Failure to follow these instructions can result in product damage.</p>

Roberts-Gordon cannot be responsible for ensuring that all appropriate safety measures are undertaken prior to installation; this is entirely the responsibility of the installer. It is essential that the contractor, the sub-contractor, or the owner identifies the presence of combustible materials, corrosive chemicals or halogenated hydrocarbons* anywhere in the premises.

* **Halogenated Hydrocarbons** are a family of chemical compounds characterized by the presence of halogen elements (fluorine, chlorine, bromine, etc.). These compounds are frequently used in refrigerants, cleaning agents, solvents, etc. If these compounds enter the air supply of the burner, the life span of the heater components will be greatly reduced. An outside air supply must be provided to the burners whenever the presence of these compounds is suspected. Warranty will be invalid if the heater is exposed to halogenated hydrocarbons.

2.3 National Standards and Applicable Codes

All appliances must be installed in accordance with the latest revision of the applicable standards and national codes. This refers also to the electric, gas and venting installation. Note: Additional standards for installations in Public Garages, Aircraft Hangars, etc. may be applicable.

SECTION 3: CLEARANCES TO COMBUSTIBLES

3.1 Required Clearances to Combustibles

Clearances are the required distances that combustible objects must be away from the heater to prevent serious fire hazards. Combustibles are materials that may catch on fire and include common items such as wood, paper, rubber, fabric, etc. **Maintain clearances to combustibles at all times for safety.**

Clearances for all heater models are located on the burner of the heater and *on Page 5, Figure 3 through Page 8, Figure 12* in this manual. Check the clearances on each burner for the model heater being installed to make sure the product is suitable for your application and the clearances are maintained. Read and follow the safety guidelines below:

- Keep gasoline or other combustible materials including flammable objects, liquids, dust or vapors away from this heater or any other appliance.
- The stated clearances to combustibles represents a surface temperature of 90° F (32°C) above room temperature. Building materials with a low heat tolerance (such as plastics, vinyl siding, canvas, triply, etc) may be subject to degradation at lower temperatures. It is the installer's responsibility to assure that adjacent materials are protected from degradation.
- Maintain clearances from heat sensitive equipment and workstations.
- Maintain clearances from vehicles parked below the heater.
- Maintain clearances from swinging and overhead doors, overhead cranes, vehicle lifts, partitions, storage racks, hoists, building construction, etc.

NOTE: 1. All dimensions are from the surfaces of all tubes, couplings and elbows.
2. Clearances B, C and D can be reduced by 50% after 25' (7.5 m) of tubing downstream from where the burner and burner tube connect.

⚠ WARNING



Fire Hazard

Keep all flammable objects, liquids and vapors the minimum required clearances to combustibles away from heater.

Some objects will catch fire or explode when placed close to heater.

Failure to follow these instructions can result in death, injury or property damage.

- In locations used for the storage of combustible materials, signs must be posted to specify the maximum permissible stacking height to maintain required clearances from the heater to the combustibles. Signs must be posted adjacent to the heater thermostat. In the absence of a thermostat, signs must be posted in a conspicuous location.
- Consult local Fire Marshal, Fire Insurance Carrier or other authorities for approval of proposed installation when there is a possibility of exposure to combustible airborne materials or vapors.
- Hang heater in accordance to the minimum suspension requirements *on Page 16, Figure 15*.
- If the radiant tubes must pass through the building structure, be sure that adequate sleeving and fire stop is installed to prevent scorching and/or fire hazard.

FIGURE 3: LEVEL REFLECTOR

	Model	(inches)				(centimeters)			
		A	B	C	D	A	B	C	D
	HED-40	6	27	53	27	16	69	135	69
	HED-60	6	35	63	35	16	89	161	89
	HED-80	6	38	66	38	16	97	168	97
	HED-100	6	40	71	40	16	102	181	102
	HED-125	6	46	77	46	16	117	196	117
	HED-150	6	50	80	50	16	127	204	127
	HED-175	8	52	82	52	21	133	209	133

NOTE: 1. All dimensions are from the surfaces of all tubes, couplings and elbows.
 2. Clearances B, C and D can be reduced by 50% after 25' (7.5 m) of tubing downstream from where the burner and burner tube connect.

FIGURE 4: LEVEL SIDE REFLECTOR

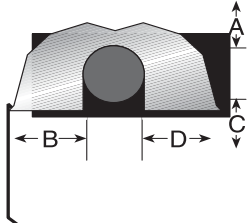
	Model	(inches)				(centimeters)			
		A	B	C	D	A	B	C	D
	HED-40	6	9	53	44	16	23	135	112
	HED-60	6	9	63	47	16	23	161	120
	HED-80	6	9	70	54	16	23	178	138
	HED-100	6	9	77	59	16	23	196	150
	HED-125	6	9	83	65	16	23	211	166
	HED-150	6	9	86	69	16	23	219	176
	HED-175	8	9	88	73	21	23	224	186

FIGURE 5: TWO SIDE REFLECTORS

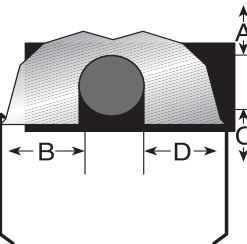
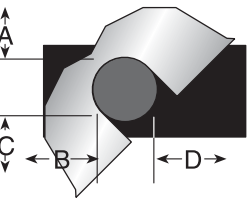
	Model	(inches)				(centimeters)			
		A	B	C	D	A	B	C	D
	HED-40	6	15	53	15	16	39	135	39
	HED-60	6	23	66	23	16	59	168	59
	HED-80	6	25	72	25	16	64	183	64
	HED-100	6	27	78	27	16	69	199	69
	HED-125	6	32	84	32	16	82	214	82
	HED-150	6	35	88	35	16	89	224	89
	HED-175	8	40	91	40	21	102	232	102

FIGURE 6: 45° TILT REFLECTOR

	Model	(inches)				(centimeters)			
		A	B	C	D	A	B	C	D
	HED-40	8	8	51	46	21	21	130	117
	HED-60	8	8	60	54	21	21	153	138
	HED-80	8	8	66	60	21	21	168	153
	HED-100	10	8	74	64	26	21	188	163
	HED-125	10	8	78	69	26	21	199	176
	HED-150	12	8	84	74	31	21	214	188
	HED-175	12	8	85	79	31	21	216	201

- NOTE:** 1. All dimensions are from the surfaces of all tubes, couplings and elbows.
 2. Clearances B, C and D can be reduced by 50% after 25' (7.5 m) of tubing downstream from where the burner and burner tube connect.

FIGURE 7: U-TUBE, LEVEL REFLECTOR

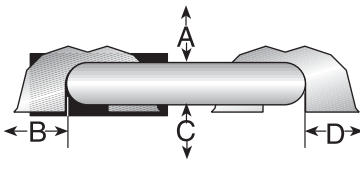
	Model	(inches)				(centimeters)			
		A	B	C	D	A	B	C	D
	HED-40	- UNAPPROVED -				- UNAPPROVED -			
	HED-60	6	35	63	30	16	89	161	77
	HED-80	6	38	69	37	16	97	176	94
	HED-100	6	40	76	39	16	102	194	100
	HED-125	6	46	79	43	16	117	201	110
	HED-150	6	50	84	47	16	127	214	120
	HED-175	8	54	87	51	21	138	221	130

FIGURE 8: U-TUBE, 45°

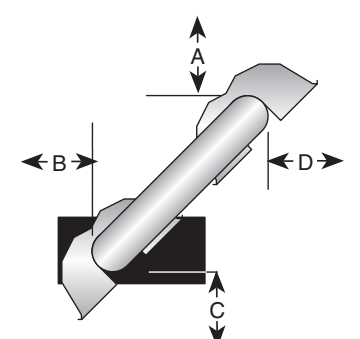
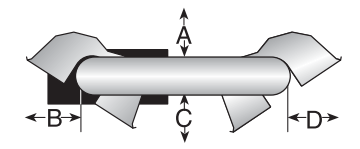
	Model	(inches)				(centimeters)			
		A	B	C	D	A	B	C	D
	HED-40	- UNAPPROVED -				- UNAPPROVED -			
	HED-60	8	8	60	42	21	21	153	107
	HED-80	8	8	66	46	21	21	168	117
	HED-100	8	8	74	52	21	21	188	133
	HED-125	8	8	78	61	21	21	199	155
	HED-150	8	8	84	66	21	21	214	168
	HED-175	8	8	85	70	21	21	216	178

FIGURE 9: U-TUBE, OPPOSITE 45° REFLECTOR

	Model	(inches)				(centimeters)			
		A	B	C	D	A	B	C	D
	HED-40	- UNAPPROVED -				- UNAPPROVED -			
	HED-60	8	54	60	22	21	138	153	56
	HED-80	8	60	66	22	21	153	168	56
	HED-100	10	64	74	22	26	163	188	56
	HED-125	10	70	78	22	26	178	199	56
	HED-150	12	74	84	22	31	188	214	56
	HED-175	12	76	85	22	31	194	216	56

NOTE: 1. All dimensions are from the surfaces of all tubes, couplings and elbows.
 2. Clearances B, C and D can be reduced by 50% after 25' (7.5 m) of tubing downstream from where the burner and burner tube connect.

FIGURE 10: 2-FOOT DECO GRILLE AND PROTECTIVE GRILLE

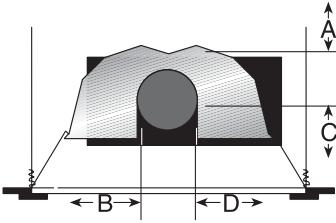
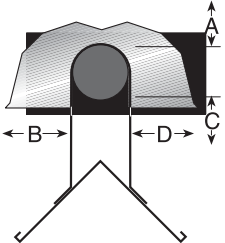
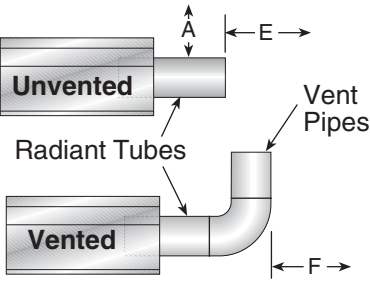
	Model	(inches)				(centimeters)			
		A	B	C	D	A	B	C	D
	HED-40	6	27	53	27	16	69	135	69
	HED-60	6	35	63	35	16	89	161	89
	HED-80	6	38	66	38	16	97	168	97
	HED-100	6	40	71	40	16	102	181	102
	HED-125	6	46	77	46	16	117	196	117
	HED-150	6	50	80	50	16	127	204	127
	HED-175	8	52	82	52	21	133	209	133

FIGURE 11: LOWER CLEARANCE SHIELD*

	Model	(inches)				(centimeters)			
		A	B	C	D	A	B	C	D
	HED-40	6	34	27	34	16	87	69	87
	HED-60	6	39	33	39	16	100	84	100
	HED-80	6	40	38	40	16	102	97	102
	HED-100	6	50	44	50	16	127	112	127
	HED-125	6	54	48	54	16	138	122	138
	HED-150	6	55	50	55	16	140	127	140
	HED-175	- UNAPPROVED -				- UNAPPROVED -			

*When installed in the first 10' (3 m).

FIGURE 12: VENTING

	Model	(inches)			(centimeters)		
		A	E	F	A	E	F
	HED-40	14	18	18	36	46	46
	HED-60	14	18	18	36	46	46
	HED-80	20	24	18	51	61	46
	HED-100	20	24	18	51	61	46
	HED-125	20	24	18	51	61	46
	HED-150	20	30	18	51	77	46
	HED-175	20	30	18	51	77	46

SECTION 4: NATIONAL STANDARDS AND APPLICABLE CODES

4.1 Gas Codes

The type of gas appearing on the nameplate must be the type of gas used. Installation must comply with national and local codes and requirements of the local gas company.

United States: Refer to National Fuel Gas Code NFPA 54/ANSI Z223.1 - latest revision.

Canada: Refer to Natural Gas and Propane Installation Code CSA B149.1 - latest revision.

4.2 Aircraft Hangars

Installation in aircraft hangars must be in accordance with the following codes:

United States: Refer to Standard for Aircraft Hangars, NFPA 409 - latest revision.

Canada: Refer to Natural Gas and Propane Installation Code CSA B149.1 - latest revision.

In aircraft storage and servicing areas, heaters shall be installed at least 10' (3 m) above the upper surface of wings or of engine enclosures of the highest aircraft which may be housed in the hangar. The measurement shall be made from the wing or engine enclosure (whichever is higher from the floor) to the bottom of the heater.

- In shops, offices and other sections of aircraft hangars communicating with aircraft storage or servicing areas, heaters shall be installed not less than 8' (2.4 m) above the floor.
- Suspended or elevated heaters shall be so located in all spaces of aircraft hangars that they shall not be subject to injury by aircraft, cranes, movable scaffolding or other objects. Provisions shall be made to assure accessibility to suspended heaters for recurrent maintenance purposes.

4.3 Public Garages

Installation in garages must be in accordance with the following codes:

United States: Refer to Standard for Parking Structures NFPA 88A - latest revision or the Code for Motor Fuel Dispensing Facilities and Repair Garages, NFPA 30A - latest revision.
Canada: Refer to Natural Gas and Propane Installation Code CSA B149.1 - latest revision.

- Heaters must not be installed less than 8' (2.4 m) above the floor. Minimum clearances to combustibles must be maintained from vehicles parked below the heater.
- When installed over hoists, minimum clearances to combustibles must be maintained from the upper most point of objects on the hoist.

4.4 Electrical

The heater must be electrically grounded in accordance with the following codes:

United States: Refer to National Electrical Code®, NFPA 70 - latest revision. Wiring must conform to the most current National Electrical Code®, local ordinances and any special diagrams furnished.

Canada: Refer to Canadian Electrical Code, CSA C22.1 Part 1 - latest revision.

4.5 Venting

The venting must be installed in accordance with the requirements within this manual and the following codes:

United States: Refer to National Fuel Gas Code NFPA 54/ANSI Z223.1 - latest revision.


Canada: Refer to Natural Gas and Propane Installation Code CSA B149.1 - latest revision.

4.6 High Altitude

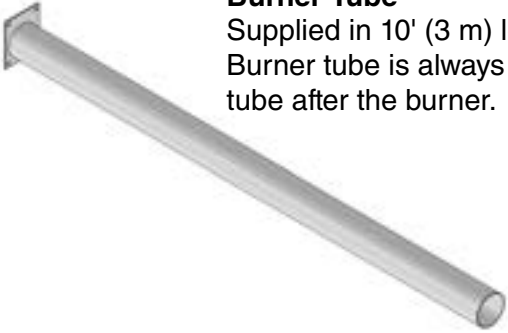
These heaters are approved for installations up to 2000' (610 m)(US), 4500' (1370 m)(Canada) without modification. Consult factory if US installation is above 2000' (610 m) or Canadian installation is above 4500' (1370 m).

SECTION 5: MAJOR COMPONENTS

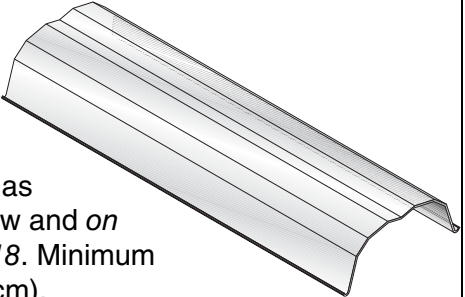
FIGURE 13: Major Component Descriptions - Standard Reflector




Burner with Tube Gasket
Must be installed with the flame observation window facing down.



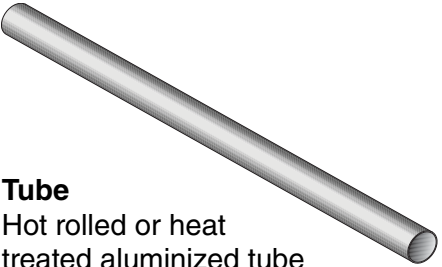
Burner Tube
Supplied in 10' (3 m) lengths. Burner tube is always the first tube after the burner.




Standard Reflector (Aluminum or Stainless Steel)
Alternate overlap as shown on overview and on Page 19, Figure 18. Minimum overlap is 6" (16 cm).



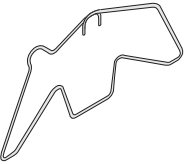
Combustion Air Weather Vent
Attach at flue end and air inlet where required.



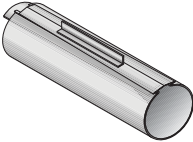
Tube
Hot rolled or heat treated aluminized tube supplied in 10' (3 m) lengths.



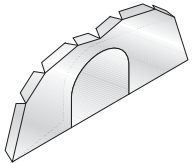
Tube and Reflector Hanger with Clamp Package
Position this hanger no more than 4" (10 cm) away from the burner.



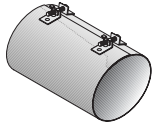
Tube and Reflector Hanger
Suspend system from these hangers.



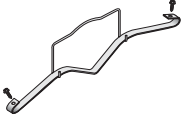
Coupling Assembly with Lock



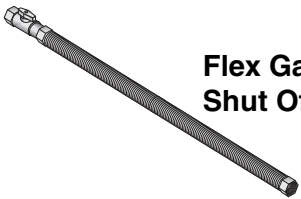
Reflector End Cap
Punch out center section to accommodate tube.



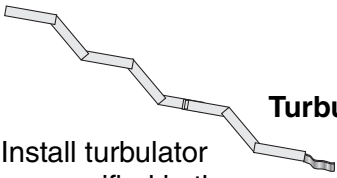
Vent Adapter



Reflector Support Strap & Wire Form

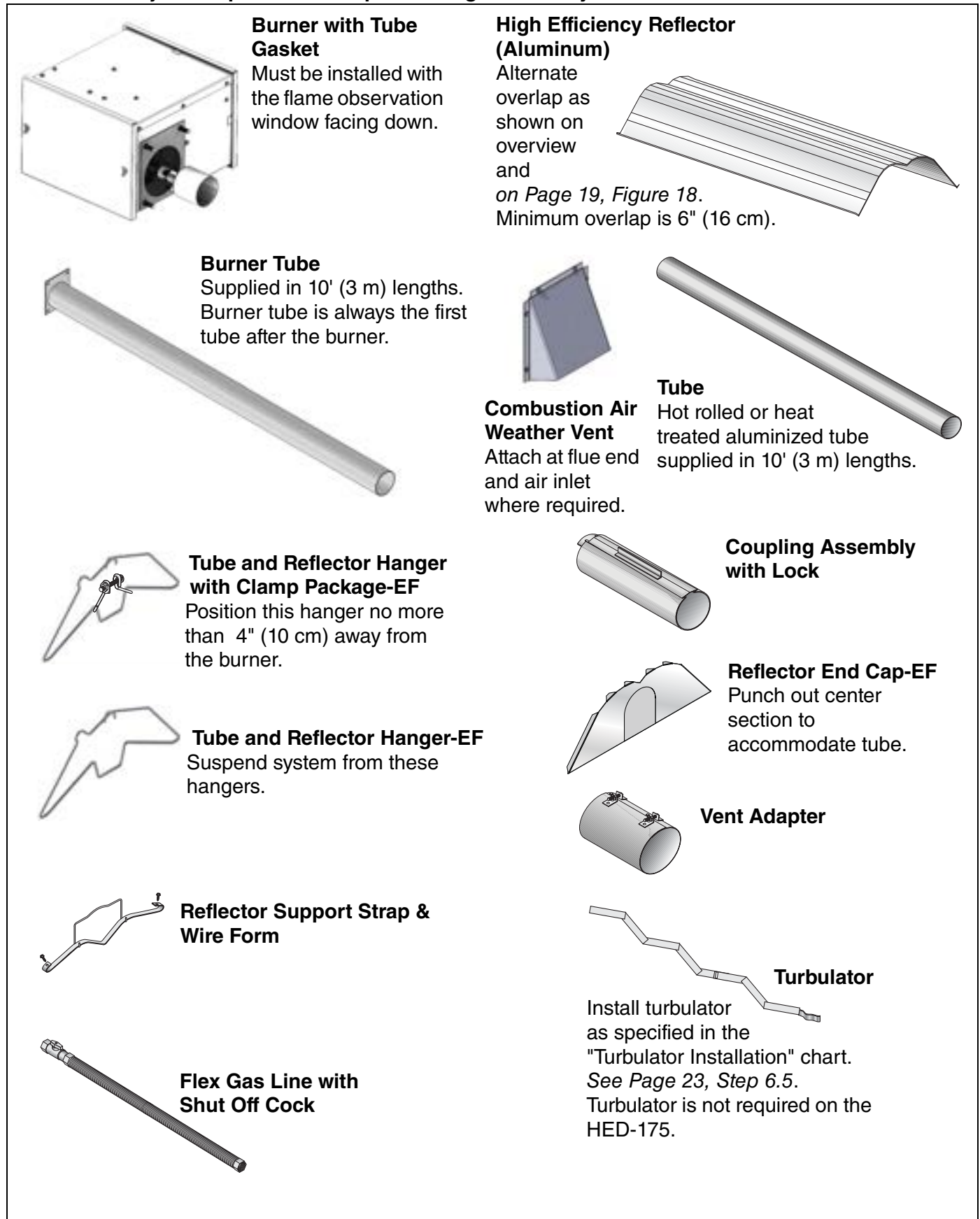


Flex Gas Line with Shut Off Cock



Turbulator
Install turbulator as specified in the "Turbulator Installation" chart. See Page 23, Step 6.5. Turbulator is not required on the HED-175.

FIGURE 14: Major Component Descriptions - High Efficiency Reflector



5.1 Standard Parts List

Table 1: Contents of the Burner Carton

Part No.	Description	HED-40	HED-60	HED-80	HED-100	HED-125	HED-150	HED-175
037XXXXX	Burner Assembly (Rate and Fuel Varies)	1	1	1	1	1	1	1
92700025	Gasket (Burner to Burner Tube)	1	1	1	1	1	1	1
037100NA	Installation, Operation and Service Manual	1	1	1	1	1	1	1
03700009	Combustion Air Weather Vent	1	1	1	1	1	1	1
92113900	Hex Head Nuts 5/16" - 18 Rolok	4	4	4	4	4	4	4
96411600	Split Lock washer	4	4	4	4	4	4	4
91221100	Pipe Nipple (Black) 1/2" Galvanized	1	1	1	1	1	1	1
91317300	1/4" Quick Disconnect (Wire)	2	2	2	2	2	2	2
*91412204	Flexible Stainless Steel Gas Hose - 3/4" NPT (US Models Only)	1	1	1	1	1	1	1
03051501	Turbulator Adapter	1	1	1	1	1	1	-
03051502	Turbulator Aluminized Steel	3	4	5	4	2	1	-
03051505	Turbulator Stainless Steel	1	-	-	-	-	-	-

*Canadian Models: Rubber (Type 1) Gas Hoses available as an accessory. See Page 45, Section 9.

Table 2: Contents of Standard Core and Extension Packages

Part No.	Description	Core Packages								Extension Packages							
		Aluminized with Aluminum Reflector				Aluminized with Stainless Steel Reflector				Aluminized with Aluminum Reflector				Aluminized with Stainless Steel Reflector			
		10' (3 m)	20' (6 m)	30' (9 m)	40' (12 m)	10' (3 m)	20' (6 m)	30' (9 m)	40' (12 m)	10' (3 m)	20' (6 m)	30' (9 m)	40' (12 m)	10' (3 m)	20' (6 m)	30' (9 m)	40' (12 m)
91409408	Tube, HT Aluminized, 10' (3 m)	-	1	2	3	-	1	2	3	1	2	3	4	1	2	3	4
03051105	Burner Tube, ALUMI-THERM® Steel, 10' (3 m)-ST	-	-	1	1	-	-	-	-	-	-	-	-	-	-	-	-
03051106	Burner Tube, ALUMI-THERM® Steel, 10' (3 m)-HED	-	-	-	-	-	-	1	1	-	-	-	-	-	-	-	-
03051605	Burner Tube, HT ALUMI-THERM® Steel, 10' (3 m)-ST	1	1	-	-	-	-	-	-	-	-	-	-	-	-	-	-
03051606	Burner Tube, HT ALUMI-THERM® Steel - HE, 10' (3m)-ST	-	-	-	-	1	1	-	-	-	-	-	-	-	-	-	-
01312700	Coupling Assembly	-	1	2	3	-	1	2	3	1	2	3	4	1	2	3	4
02750303	Standard Reflector, 8' (3.5 m)	2	3	4	6	-	-	-	-	2	3	4	6	-	-	-	-
027503SS	Stainless Steel Reflector, 8' (3.5 m)	-	-	-	-	2	3	4	6	-	-	-	-	2	3	4	6
02750800	End Cap	2	2	2	2	-	-	-	-	-	-	-	-	-	-	-	-
027508SH	Stainless Steel End Cap with Hole	-	-	-	-	2	2	2	2	-	-	-	-	-	-	-	-
03090100	Tube and Reflector Hanger	2	3	4	5	2	3	4	5	1	2	3	4	1	2	3	4
91907302	S-Hook	2	3	4	5	2	3	4	5	1	2	3	4	1	2	3	4
03050010	Reflector Support Package (Strap, Wire Form, Screws)	1	2	3	5	2	4	5	7	2	3	4	6	2	3	4	6
91107720	U-Clip Package	1	1	1	1	1	1	1	1	1	1	1	1	1	1	1	1
90502701	Vent Adapter	1	1	1	1	1	1	1	1	-	-	-	-	-	-	-	-
01318901	Tube Clamp Package	1	1	1	1	2	2	2	2	-	-	-	-	-	-	-	-
Part Number		CPST10ALUM	CPST20ALUM	CPST30ALUM	CPST40ALUM	CPST10ALUMSS	CPST20ALUMSS	CPST30ALUMSS	CPST40ALUMSS	EXPST10ALUM	EXPST20ALUM	EXPST30ALUM	EXPST40ALUM	EXPST10ALUMSS	EXPST20ALUMSS	EXPST30ALUMSS	EXPST40ALUMSS

Table 3: Contents of High Efficiency Core and Extension Packages

Part No.	Description	Core Packages				Extension Packages			
		Aluminized with Aluminum Reflector				Aluminized with Aluminum Reflector			
		10' (3 m)	20' (6 m)	30' (9 m)	40' (12 m)	10' (3 m)	20' (6 m)	30' (9 m)	40' (12 m)
91409408	Tube, HT Aluminized, 10' (3 m)	-	1	2	3	1	2	3	4
03051105	Burner Tube, ALUMI-THERM® Steel, 10' (3 m)-ST	-	-	1	1	-	-	-	-
03051605	Burner Tube, HT ALUMI-THERM® Steel, 10' (3 m)-ST	1	1	-	-	-	-	-	-
01312700	Coupling Assembly	-	1	2	3	1	2	3	4
02750313	Standard Reflector, 8' (3.5 m)-EF	2	3	4	6	2	3	4	6
02750802	End Cap-EF	2	2	2	2	-	-	-	-
03090102	Tube and Reflector Hanger-EF	2	3	4	5	1	2	3	4
91907302	S-Hook	2	3	4	5	1	2	3	4
03050012	Reflector Support Package (Strap, Wire Form, Screws)-EF	1	2	3	5	2	3	4	6
91107720	U-Clip Package	1	1	1	1	1	1	1	1
90502701	Vent Adapter	1	1	1	1	-	-	-	-
01318902	Tube Clamp Package-EF	1	1	1	1	-	-	-	-
	Part Number	CPST10ALUMEF	CPST20ALUMEF	CPST30ALUMEF	CPST40ALUMEF	EXPST10ALUMEF	EXPST20ALUMEF	EXPST30ALUMEF	EXPST40ALUMEF

Table 4: Component Package Guide

Model	Tubing Length	Standard Core Packages	
	Minimum	Hot Rolled Steel	Aluminized
HED-40	10' (3m)	CPST10ALUM	CPST10ALUMSS
HED-60	20' (6m)	CPST20ALUM	CPST20ALUMSS
HED-80	20' (6m)	CPST20ALUM	CPST20ALUMSS
HED-100	30' (9m)	CPST30ALUM	CPST30ALUMSS
HED-125	40' (12m)	CPST40ALUM	CPST40ALUMSS
HED-150	50' (15m)	CPST30ALUM + EXP20ALUM	CPST30ALUMSS + EXP20ALUMSS
HED-175	60' (18m)	CPST30ALUM + EXP30ALUM	CPST30ALUMSS + EXP30ALUMSS

Table 5: Component Package Guide

Model	Tubing Length	Core and Extension Packages-SS
		Stainless Steel-High Efficiency
HE-40	10' (3 m)	CPST10ALUMEF
HE-60	20' (6 m)	CPST20ALUMEF
HE-80	20' (6 m)	CPST20ALUMEF
HE-100	30' (9 m)	CPST30ALUMEF
HE-125	40' (12 m)	CPST30ALUMEF
HE-150	50' (15 m)	CPST30ALUMEF + EXP20ALUMEF
HE-175	60' (18 m)	CPST30ALUMEF + EXP30ALUMEF

Additional tubing length may be added to heater. Tubing must be heat-treated, aluminized or porcelain coated. Any additional tubing lengths are considered as vent length for length determination. Maximum venting length for minimum heater length is 45' (13.7 m) total.

SECTION 6: HEATER INSTALLATION**⚠ WARNING****Severe Injury Hazard**

Secure burner to burner tube with nuts and lockwashers.

Hang heater with materials with a minimum working load of 75 lbs (33 kg).

Failure to follow these instructions can result in death, injury or property damage.

Typical installation configurations are shown in *Figure 15*.

Expansion and contraction of the tube dictates that the minimum suspension lengths in the table on *Page 16, Figure 15* be maintained.

⚠ WARNING**Cut/Pinch Hazard**

Wear protective gear during installation, operation and service.

Edges are sharp.

Failure to follow these instructions can result in injury.

To ensure your safety, and comply with the terms of the warranty, all units must be installed in accordance with these instructions.

The gas or the electrical supply lines must not be used to support the heater.

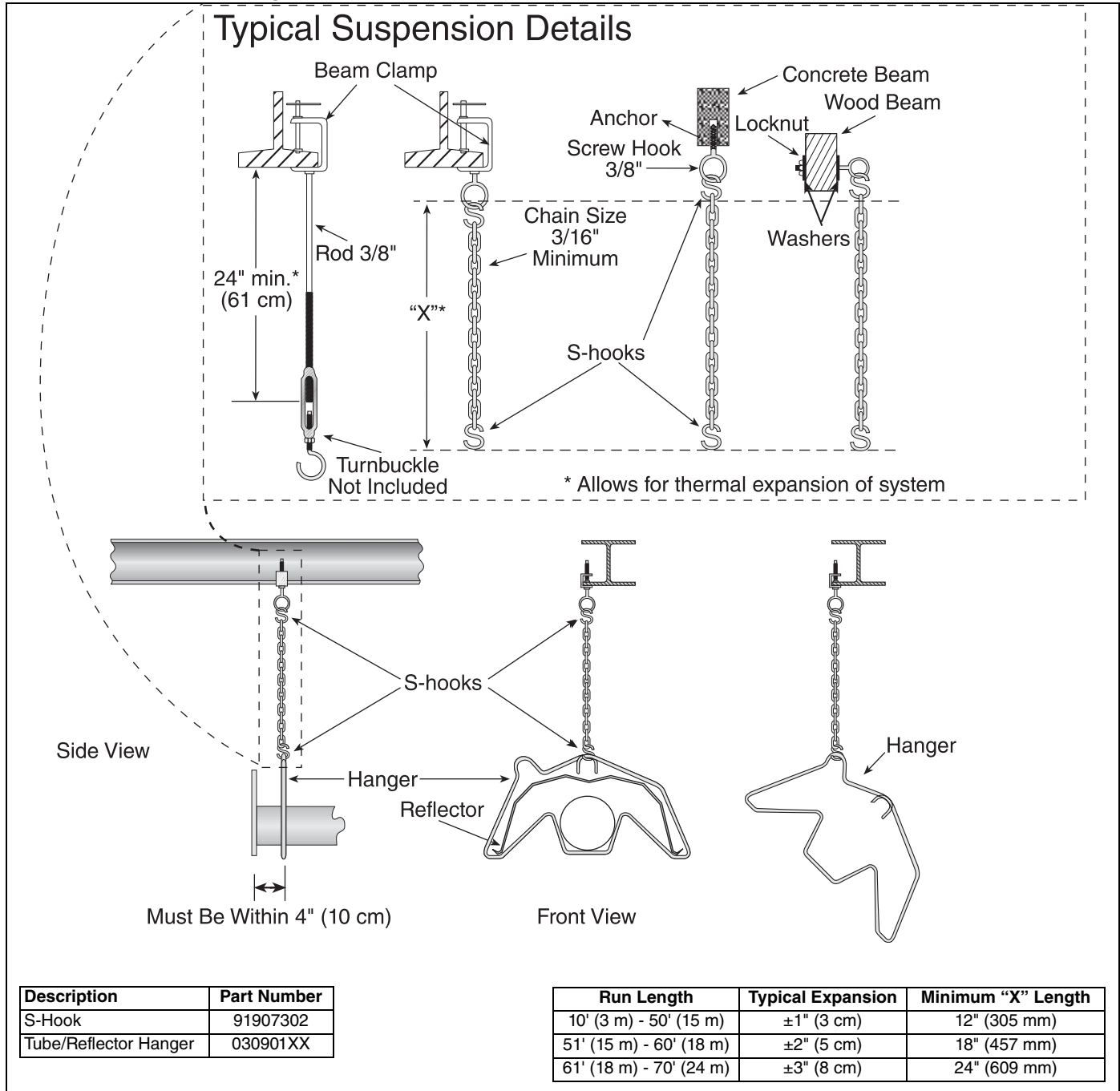
Do not locate the gas or electric supply lines directly over the path of the flue products from the heater.

The heater must be installed in a location that is readily accessible for servicing.

The heaters must be installed in accordance with clearances to combustibles as indicated on the rating plate and in this instruction manual.

The minimum and maximum gas inlet pressures must be maintained as indicated on the rating plate.

FIGURE 15: Critical Hanger Placement



6.1 Outdoor Mounting

The heater is meant for stationary mounting in all situations and should not be suspended from any structure which may become mobile or from any organic structures such as trees. Clearances to combustibles must be maintained in all cases; do not install heaters in a location such as a parking area, where a vehicle with a painted or non-metallic upper surface,

may be parked within the clearances to combustibles. See Page 17, Figure 16.

The bottom of the combustion air inlet shall not be less than 12" (30 cm) above a surface which could support snow, ice, or debris.

FIGURE 16: Critical Hanger Placement (Outdoor Installation)

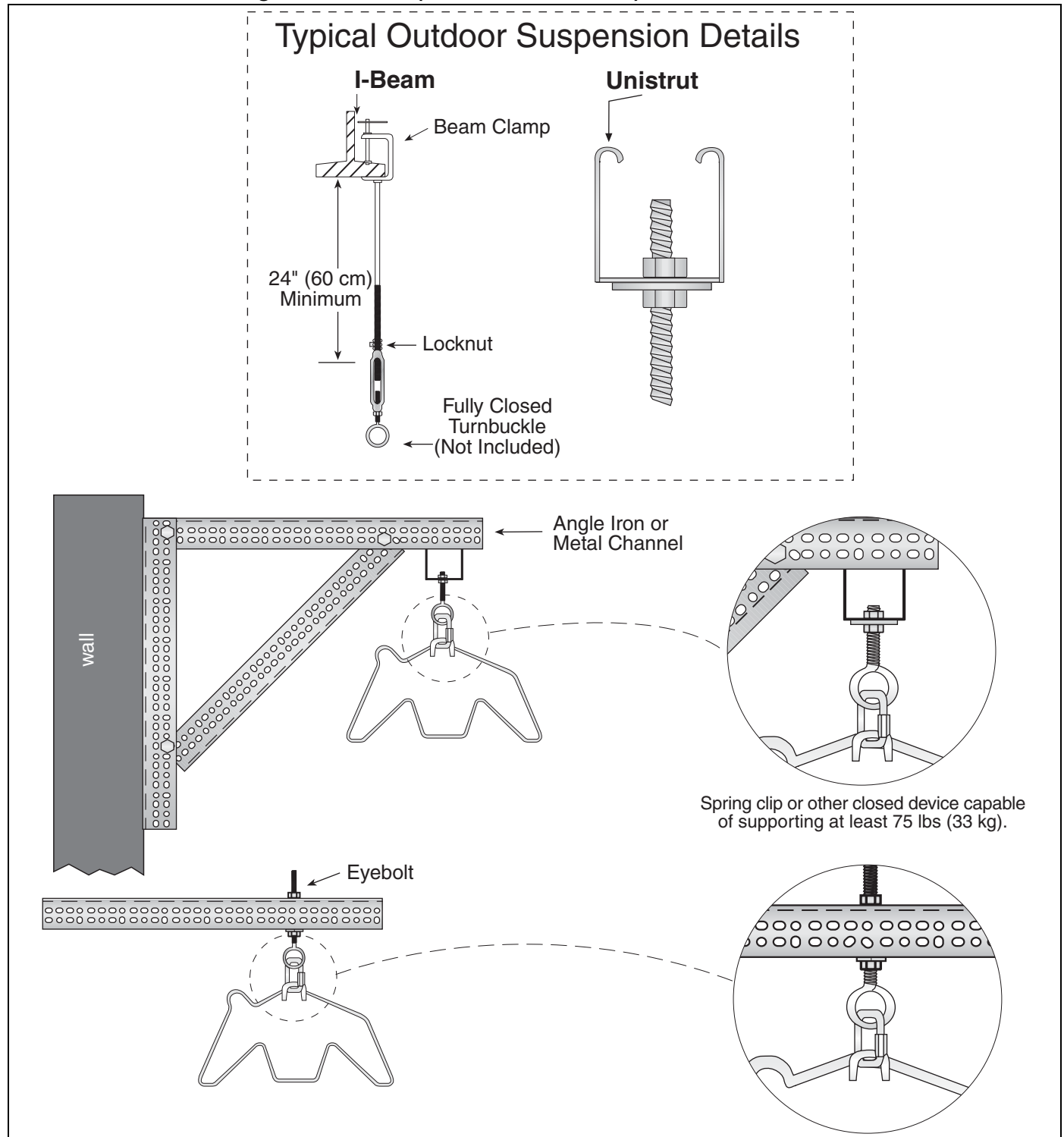


FIGURE 17: Linear Heater Assembly Overview

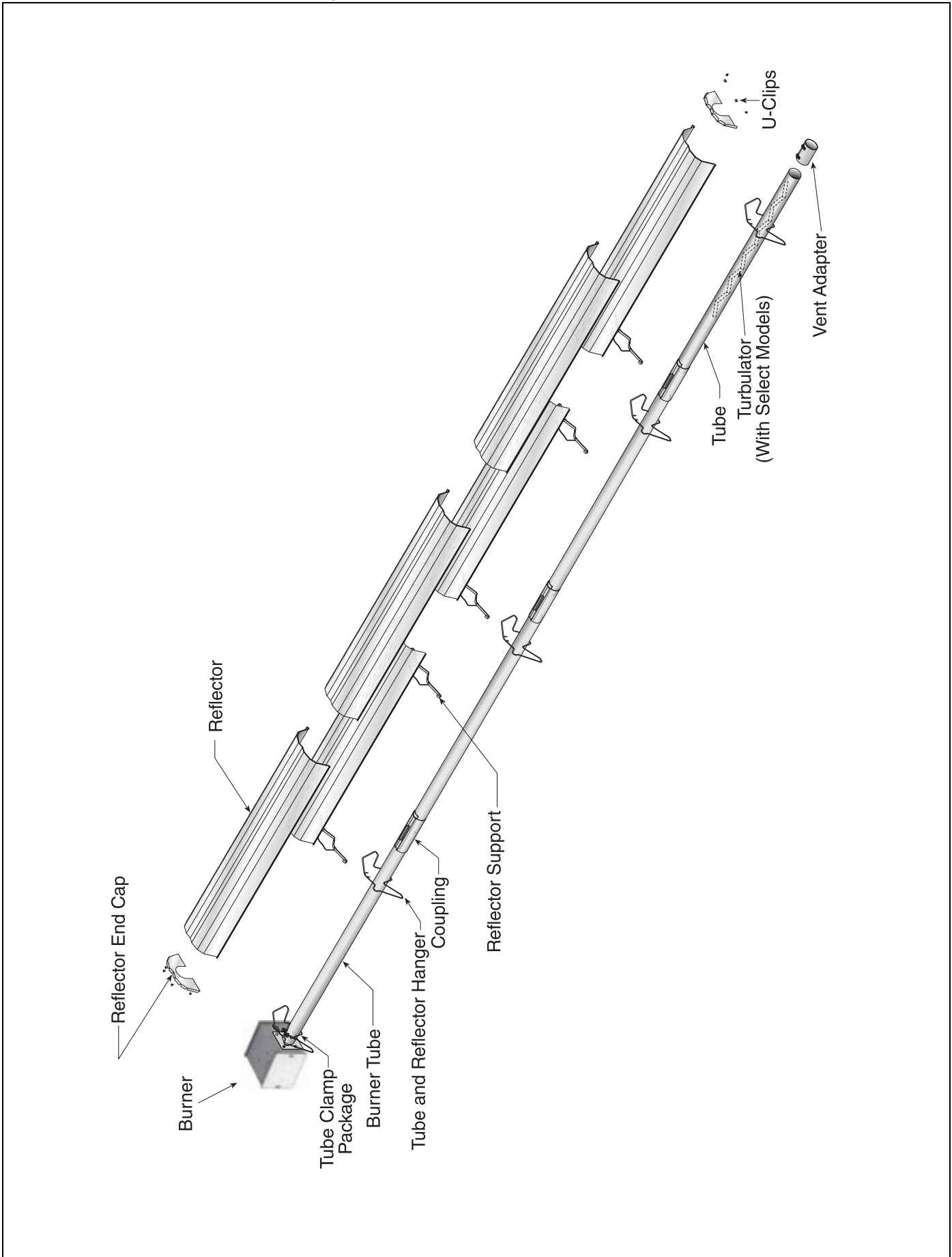


FIGURE 18: Linear Heater Layout Overview

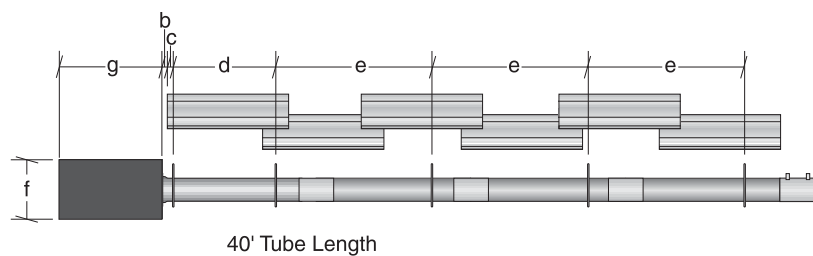
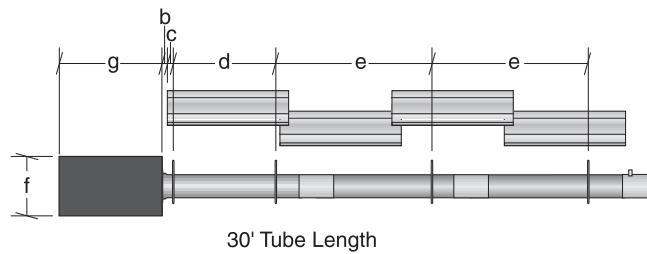
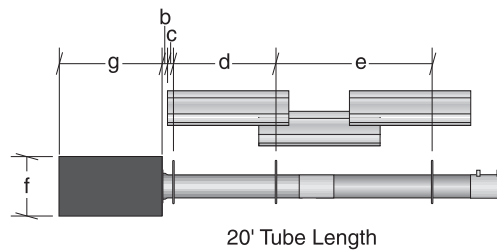
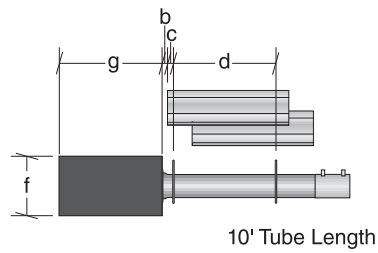
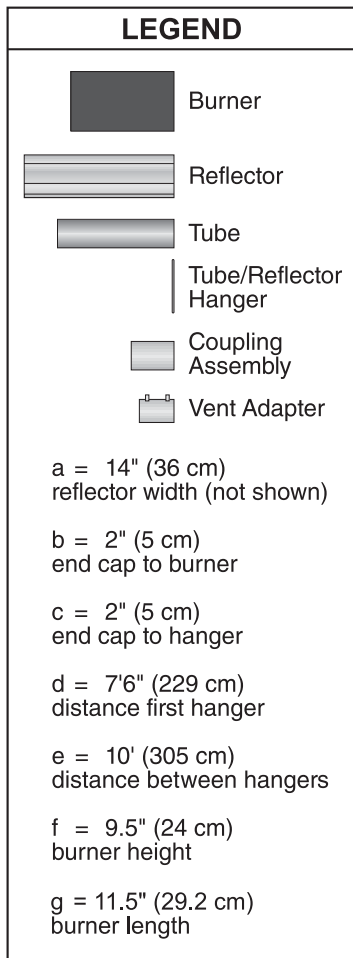
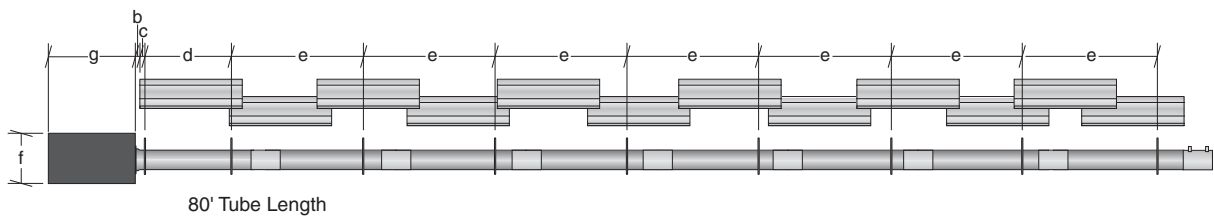
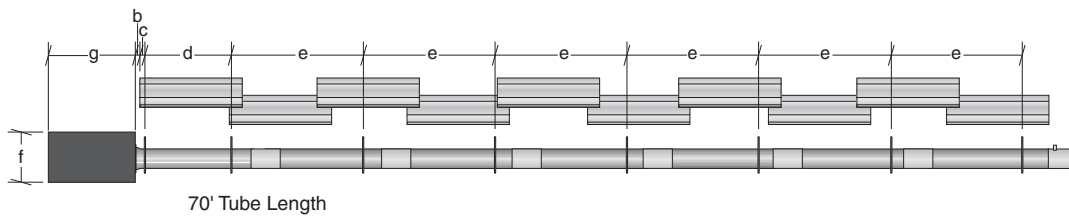
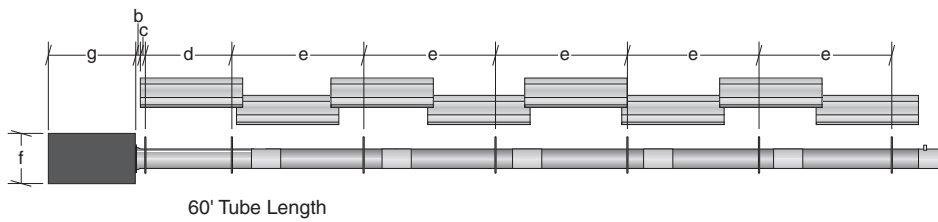
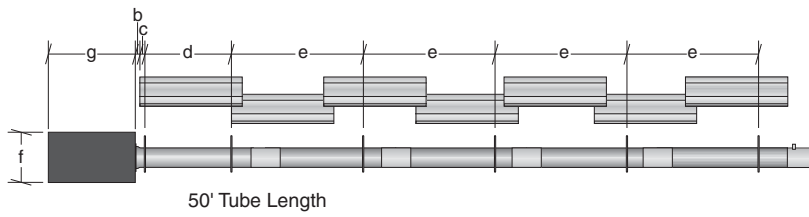
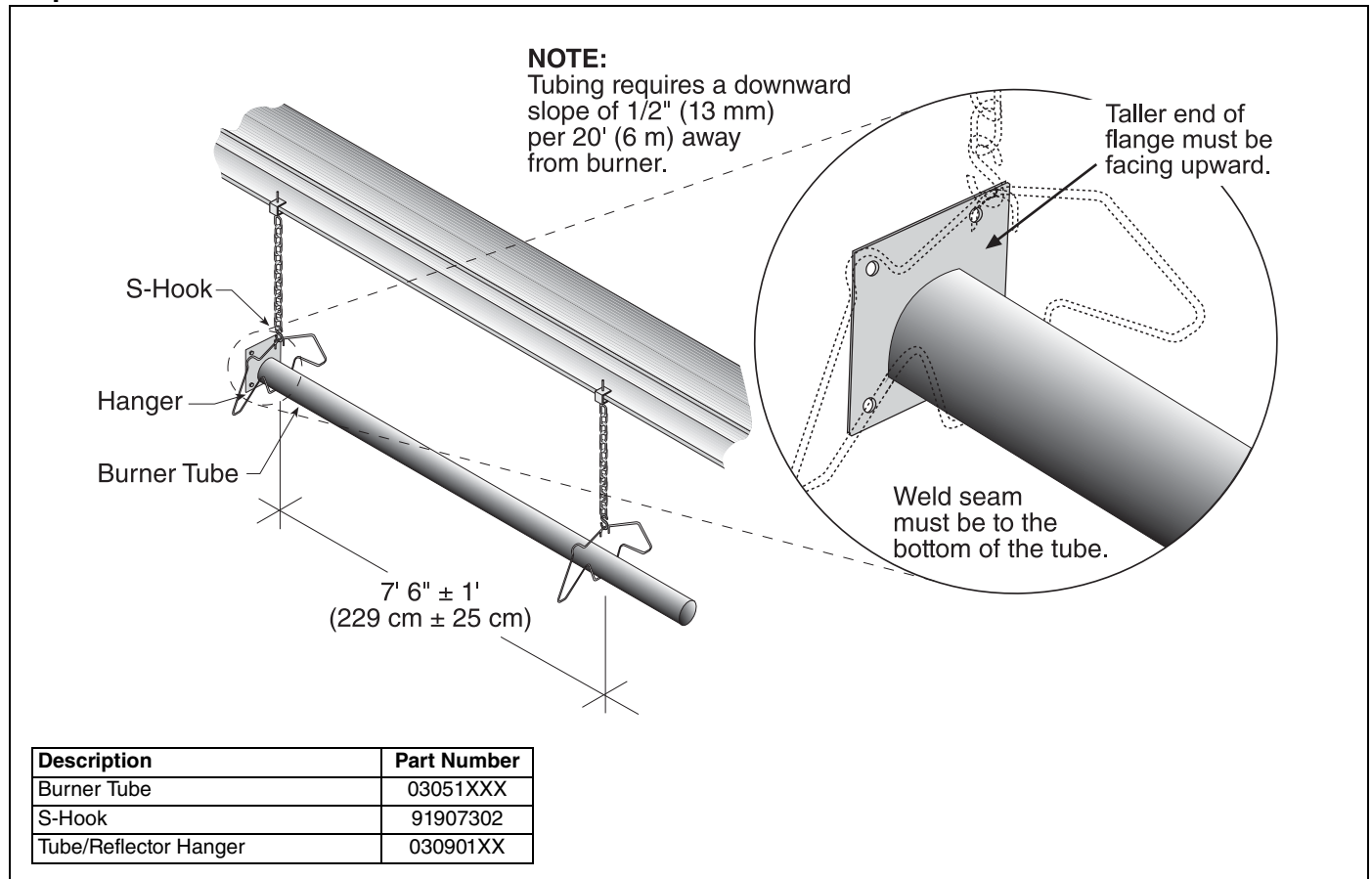


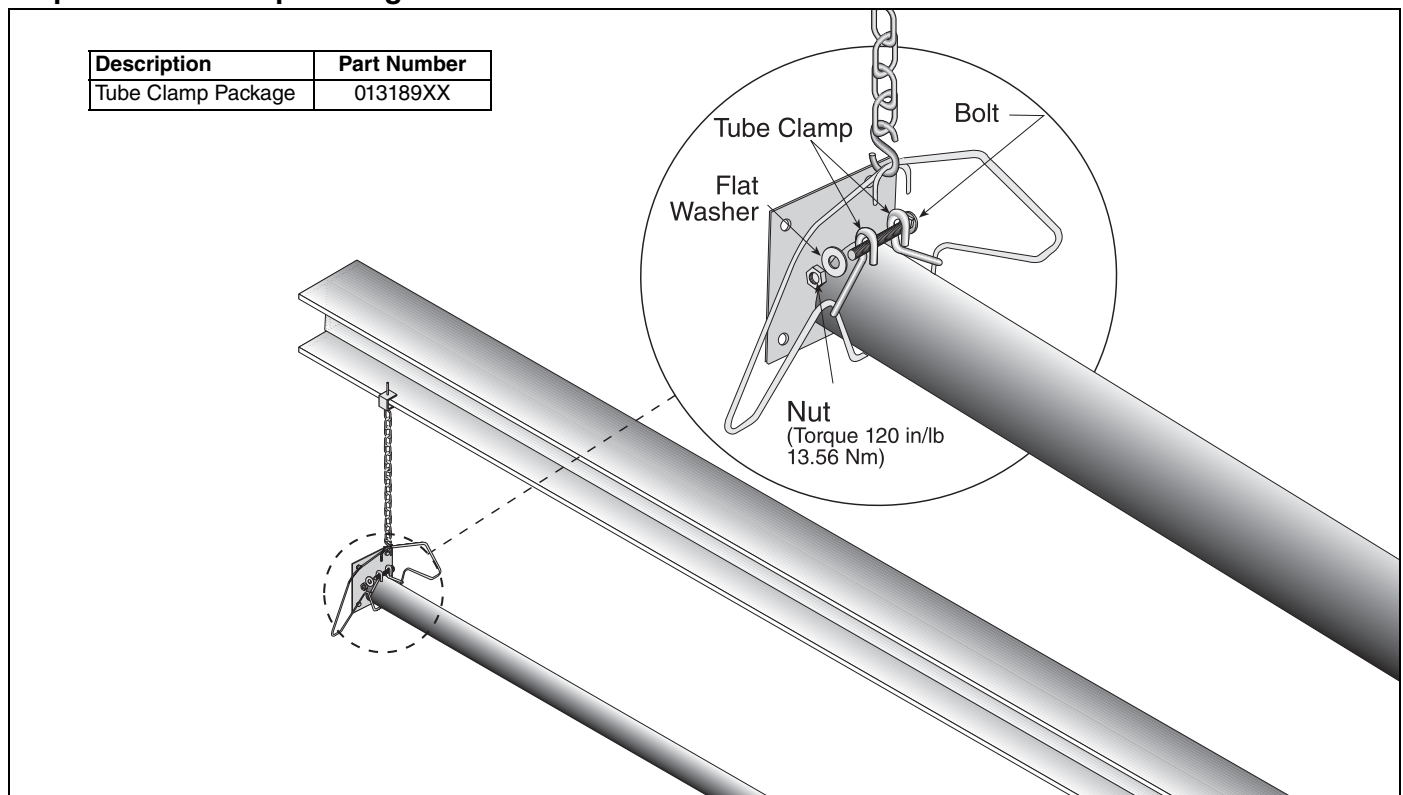
FIGURE 19: Linear Heater Layout Overview (Continued)



Step 6.2 Burner Tube Installation



Step 6.3 Tube Clamp Package Installation



Step 6.4 Coupling and Tube Assembly

A Close coupling and slide opposite end into tab. Position tab underneath guide rail.

B Insert wide end of slide bar/coupling lock into guide rail on opposite end of tabs. Slide the slide bar/coupling lock up the guide rail until snug (approximately 3" (8 cm) to 4" (10 cm)).

C Insert tubes into coupling until end of each tube rests against internal pins.

D Strike slide bar/coupling lock with mallet or hammer until tight.

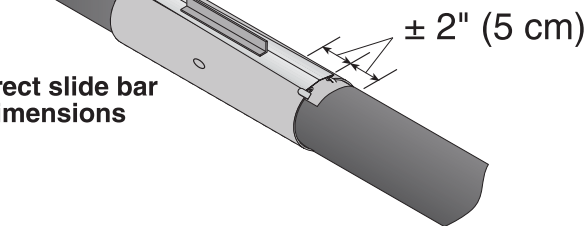
Description	Part Number
Coupling	01329600
Slide Bar/Coupling Lock	01329700
Tube	91409XXX

Step 6.4.1 Coupling and Tube Assembly (Continued)

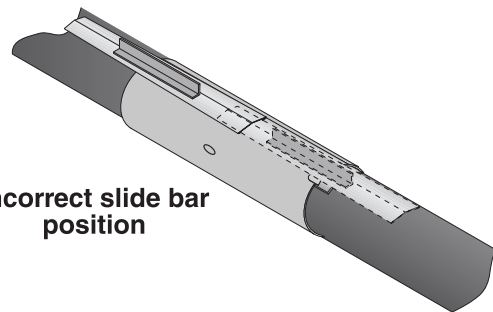
Tighten slide bar as shown below.

Be sure not to over tighten slide bar/coupling lock. Slide bar/coupling lock should be within tolerance listed below.

Correct slide bar dimensions



Incorrect slide bar position



• Repeat Step 6.4 A - D until all tubes are assembled. See Page 23, Section 6.4.2.

Step 6.4.2 Coupling and Tube Assembly (Continued)

Model	Tube Length Minimum
HED-40	10' (3 m)
HED-60	20' (6 m)
HED-80	20' (6 m)
HED-100	30' (9 m)
HED-125	40' (12 m)
HED-150	50' (15 m)
HED-175	60' (18 m)

Step 6.5 Turbulator Installation

Install turbulator as specified in the "Turbulator Installation" charge below. Turbulator is not required on the HED-175.

Turbulator Installation	
Model	Tube Section
HED-40	1st 10' Section
HED-60	2nd 10' Section
HED-80	2nd 10' Section
HED-100	3rd 10' Section
HED-125	4th 10' Section
HED-150	5th 10' Section
HED-175	N/A

Description	Part Number
Turbulator Adapter	03051503
Turbulator Section	03051504
Turbulator Section (stainless)	03051505
Tube	91409XXX

Turbulator Section

Turbulator Adapter

Tab

Turbulator Section (stainless) used in HED-40 heaters must be in the section of tube nearest to the burner.

Pull String

Fold tab around outside of tube nearest to the vent to hold turbulator in place. Where a vent sleeve is used, do not fold tab.

Step 6.6 Reflector Installation

⚠ **WARNING**



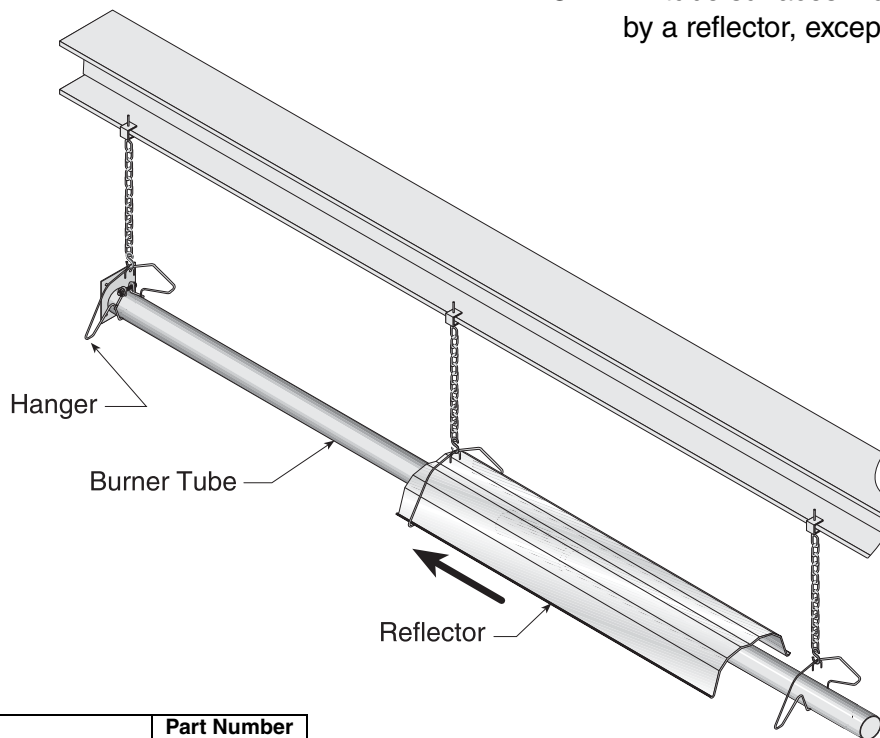
Fire Hazard

Support reflector with reflector hanger and support strap.

Reflector must not touch tube.

Failure to follow these instructions can result in death, injury or property damage.

NOTE: All tube surfaces must be covered by a reflector, except for a U-Tube.



Description	Part Number
Tube/Reflector Hanger	030901XX
Burner Tube	03051XXX
Reflector - 96" (244cm)	027503XX

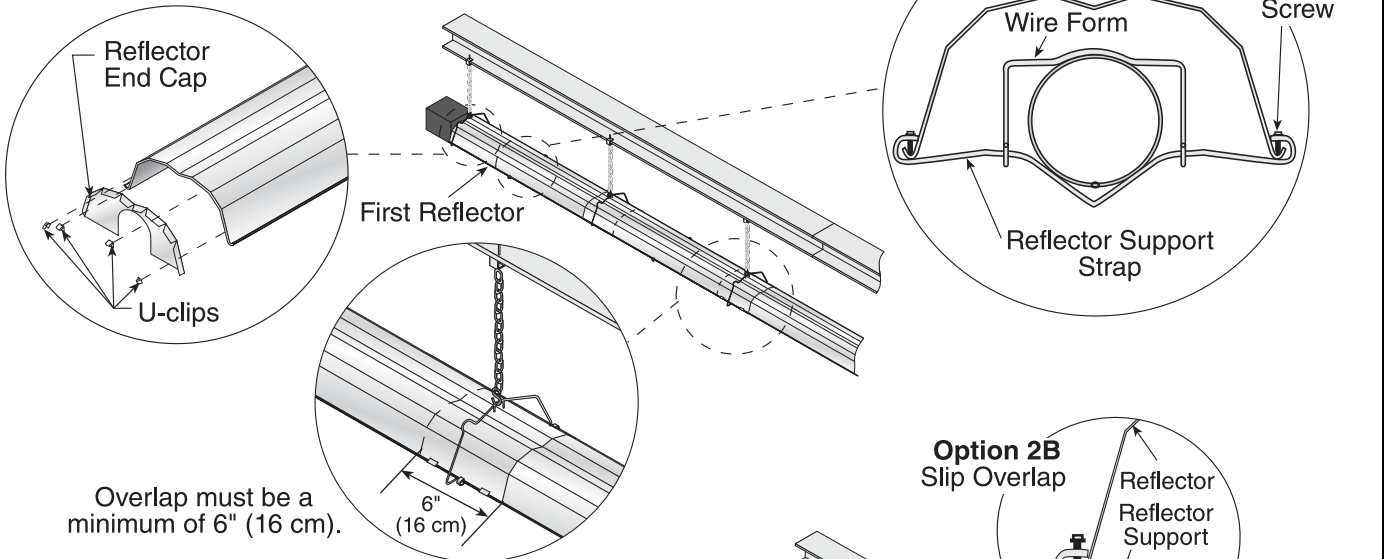
Step 6.6.1 Reflector, U-Clip and Reflector Support Installation

The pictorial drawings of the heater construction in *Section 6* are schematic only and provide a general guideline of where hangers, reflector supports and U-clips are to be installed.

To ensure proper expansion and contraction movement of the reflectors, a combination of U-clips and reflector supports are used. The positioning of reflector

supports and U-clips depends on the individual installation. Use either pop rivets or sheet metal screws instead of u-clips when installing end caps and joint pieces in areas where impact and high wind may be a factor. The following rules must be observed.

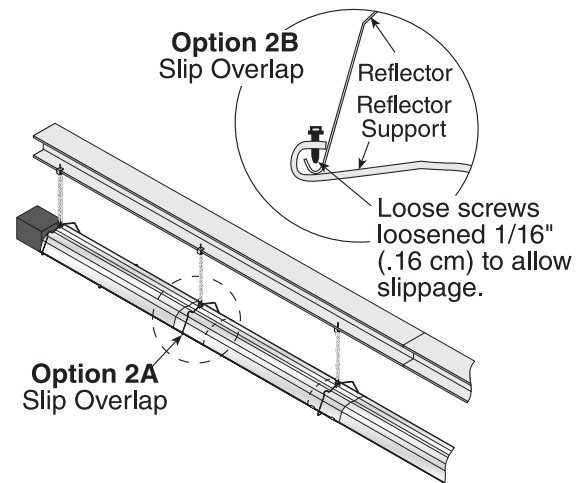
- Slide first reflector after burner a minimum 2" (4 cm) through first hanger and ensure reflector end cap is securely fastened via U-clips, pop rivets, or sheet metal screws. Position reflector support with tight screws in middle of first reflector.



- The overlap at the first and second reflector is a **slip overlap**. Thereafter, every third reflector joint is a slip overlap. A slip overlap is achieved by either:
 - both reflectors lay inside a hanger.

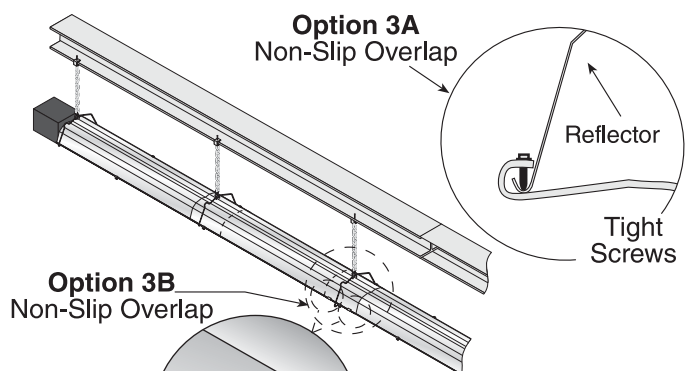
(No reflector support needed.)

- using a reflector support with loose screws at the reflector overlap.



- The remaining reflector overlaps require a **non-slip overlap** connection. To affix the reflectors together in a non-slip overlap either:
 - use reflector support and tight screws.
 - if both reflectors lay inside a hanger, u-clips or sheet metal screws may be used.

This section of three reflectors joined together must be affixed to the tube with at least one reflector support with tight screws.

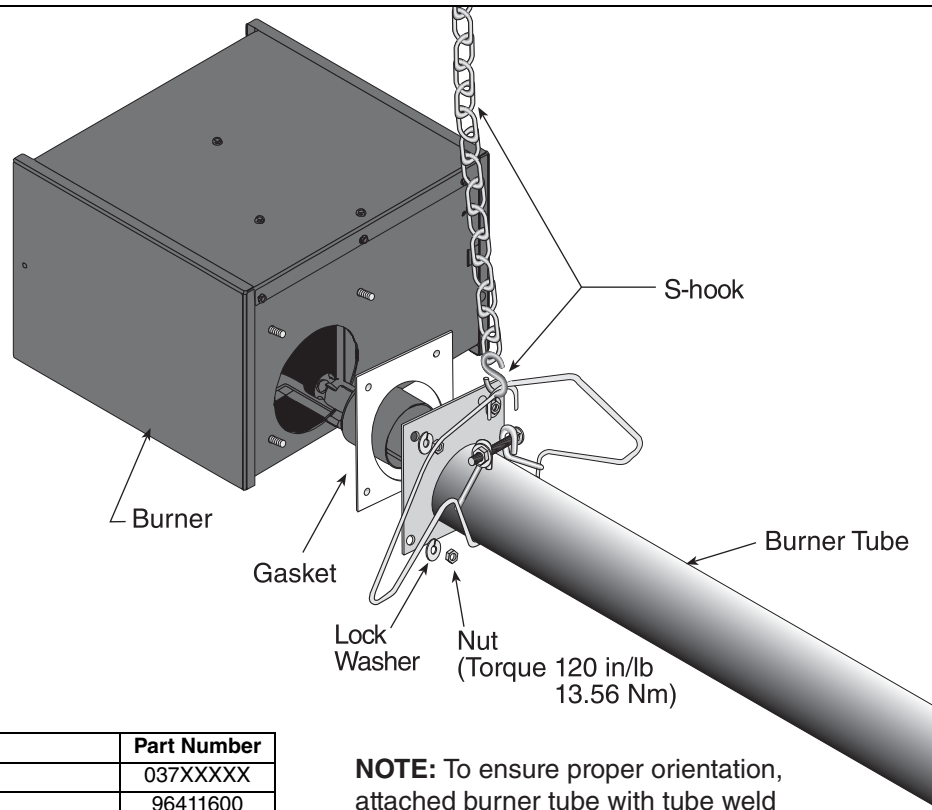


Description	Part Number
Reflector Support Package	030500XX
Wire Form	91908004
Reflector Support Strap	0305000X
Screw #8 x 3/4	94320812
U-Clip Package	91107720
Reflector End Cap	027508XX

NOTE: High efficiency reflectors should NOT be used in applications exposed to wind.

U-clip
(2 Clips per
Non-slip Overlap
Inside a Hanger)

Step 6.7 Burner Installation



Description	Part Number
Burner	037XXXXX
Lock Washer	96411600
Gasket	02568200

NOTE: To ensure proper orientation, attached burner tube with tube weld facing downward

SECTION 7: OPTIONAL HEATER ACCESSORIES**⚠ WARNING****Cut/Pinch Hazard**

Wear protective gear during installation, operation and service.

Edges are sharp.

Failure to follow these instructions can result in injury.

7.1 U-Tube Configuration

Heaters (except HED-40) are approved for optional U-Tube configurations.

The U-Tube may be installed in either a standard horizontal position, a 45° position or in an opposite 45° position as shown on *Page 7, Figure 7 through Figure 9*. When using a U-Tube configuration, the following additional rules must be adhered to:

- A minimum of 10' (3 m) on HED-60/80 and a minimum of 15' (4.5 m) on HED-100/125/150/175 is required between the burner and the U-Tube.
- The correct turbulator (See *Page 23, Figure 6.5*) must be installed in the last standard section of tube.
- The burner must never be operated in a tilted position.
- The heater must be properly supported at all locations. See *Page 29, Figure 21*.

FIGURE 20: U-Tube Heater Assembly Overview

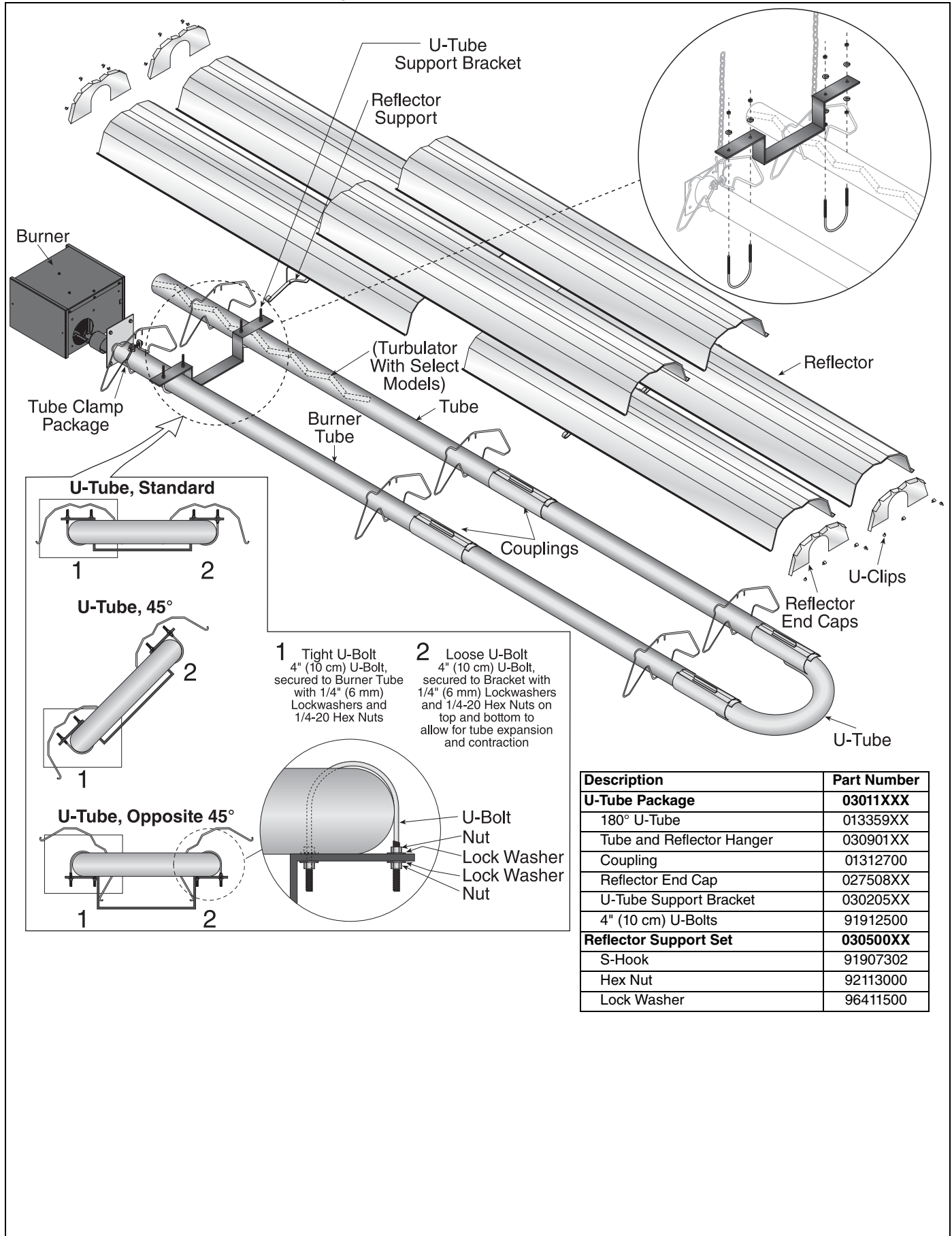


FIGURE 21: U-Tube Heater Layout Overview

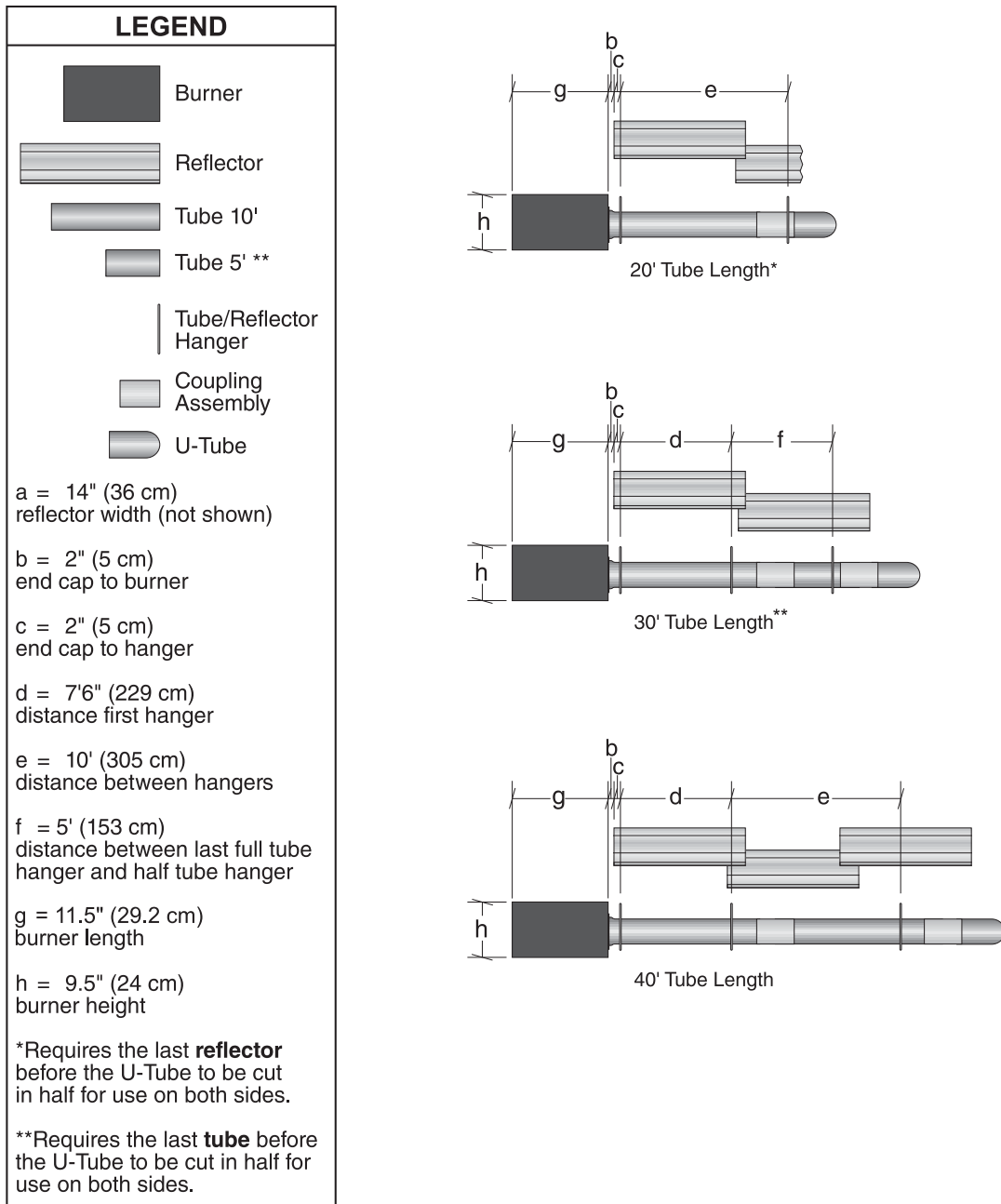
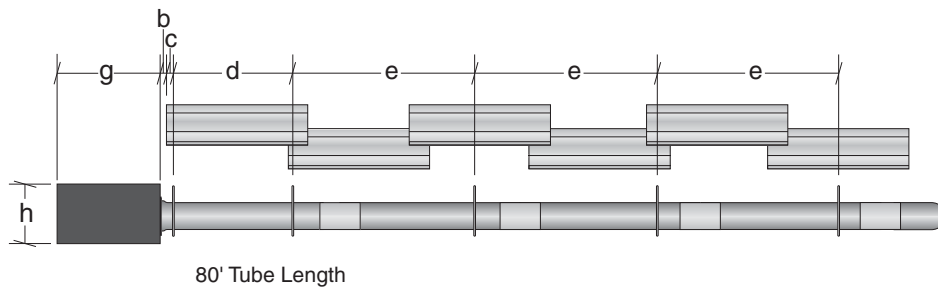
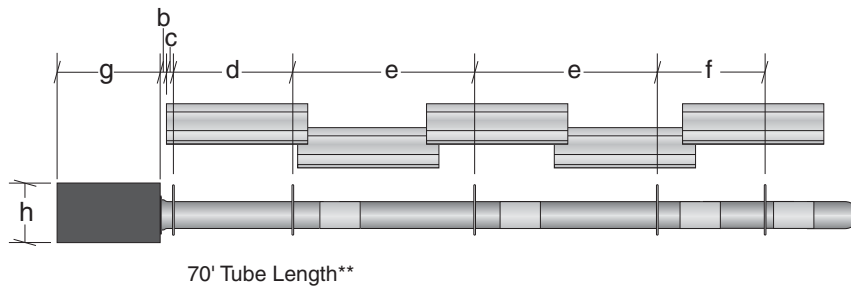
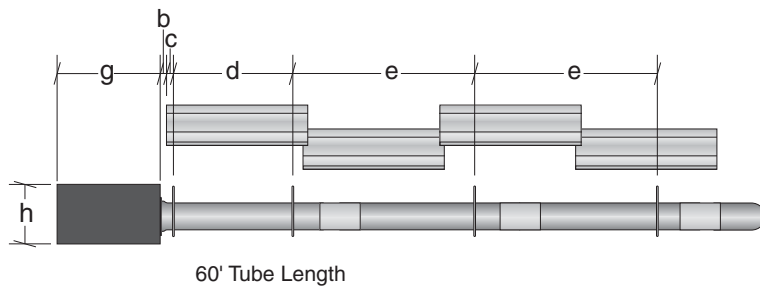
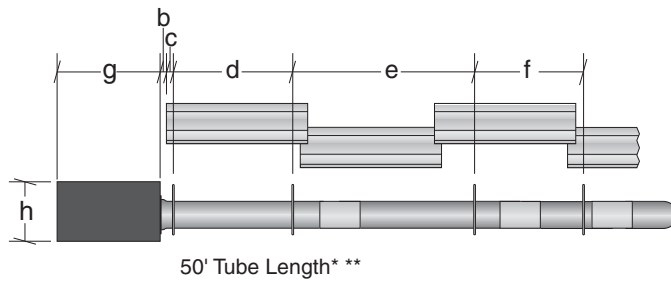


FIGURE 22: U-Tube Heater Layout Overview (Continued)



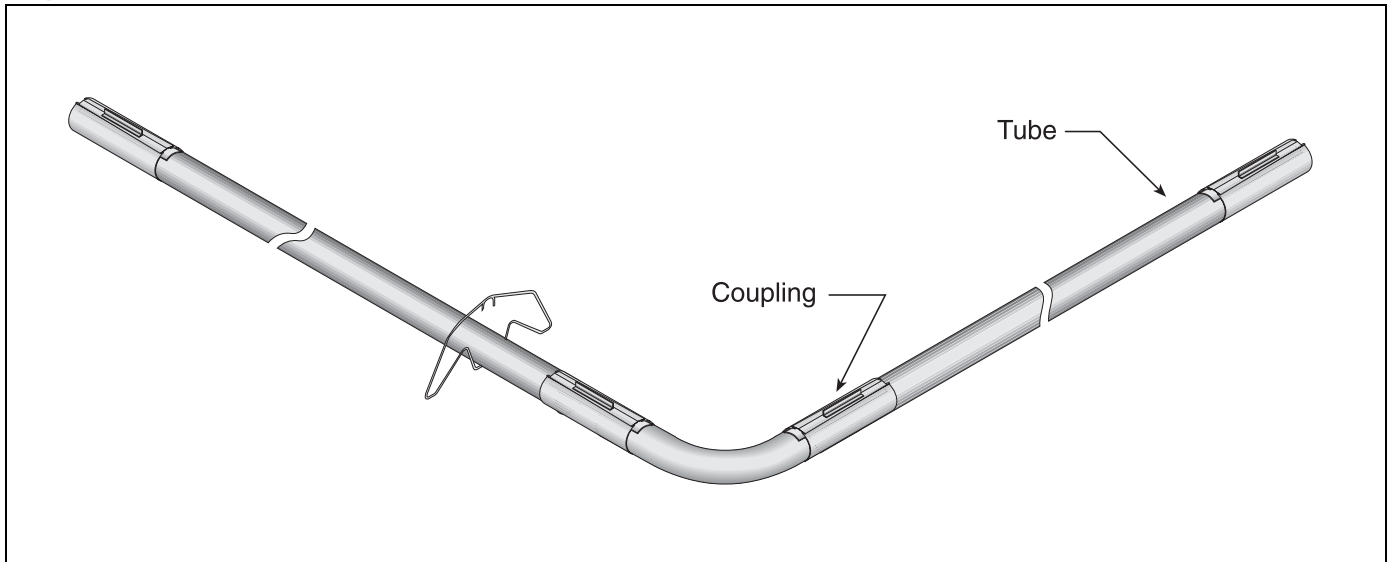
7.2 Elbow Package Configuration

Step 7.2.1 Elbow Installation

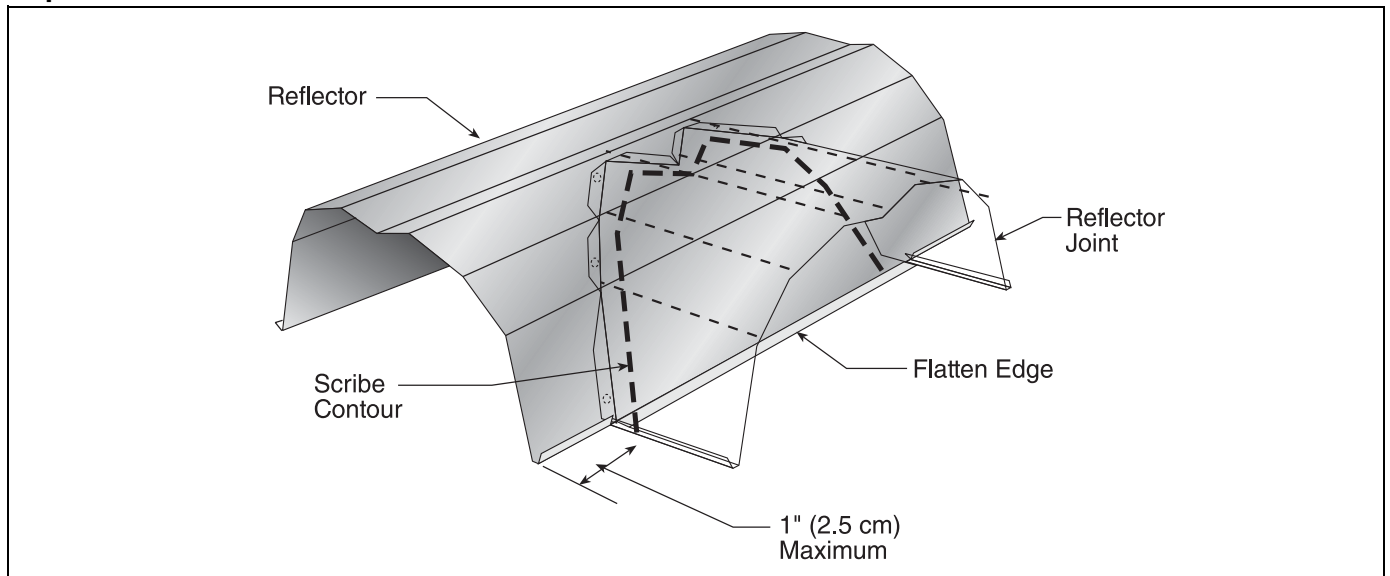
Description	Part Number
Elbow Package	027187XX
90° Elbow	01335801
Coupling	01312700
Reflector End Cap	0275080X
Reflector Joint Piece	0275090X
U-Clip Package	91107720

Minimum Distance Required Between Burner and Elbow	
Model	Minimum Distance
HED-40	N/A
HED-60	10' (3 m)
HED-80	10' (3 m)
HED-100	15' (4.5 m)
HED-125	15' (4.5 m)
HED-150	15' (4.5 m)
HED-175	15' (4.5 m)

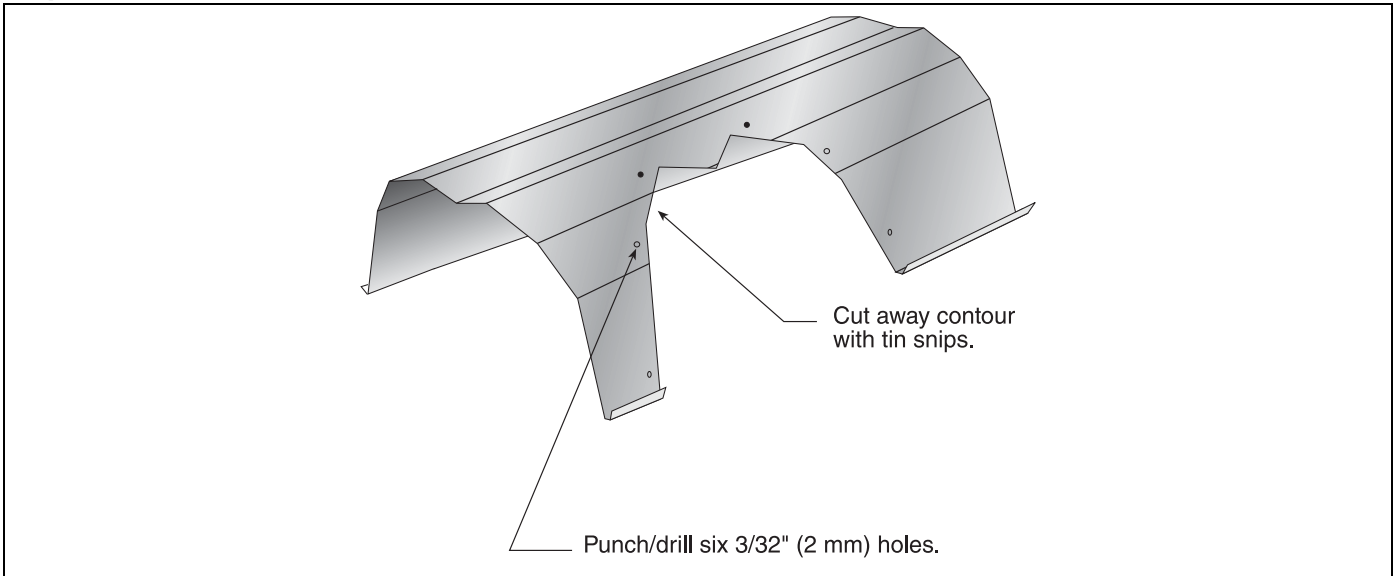
Step 7.2.2 Elbow Installation



Step 7.2.3 Reflector Joint Installation



Step 7.2.4 Reflector Joint Installation



Step 7.2.5 Reflector Joint Detail

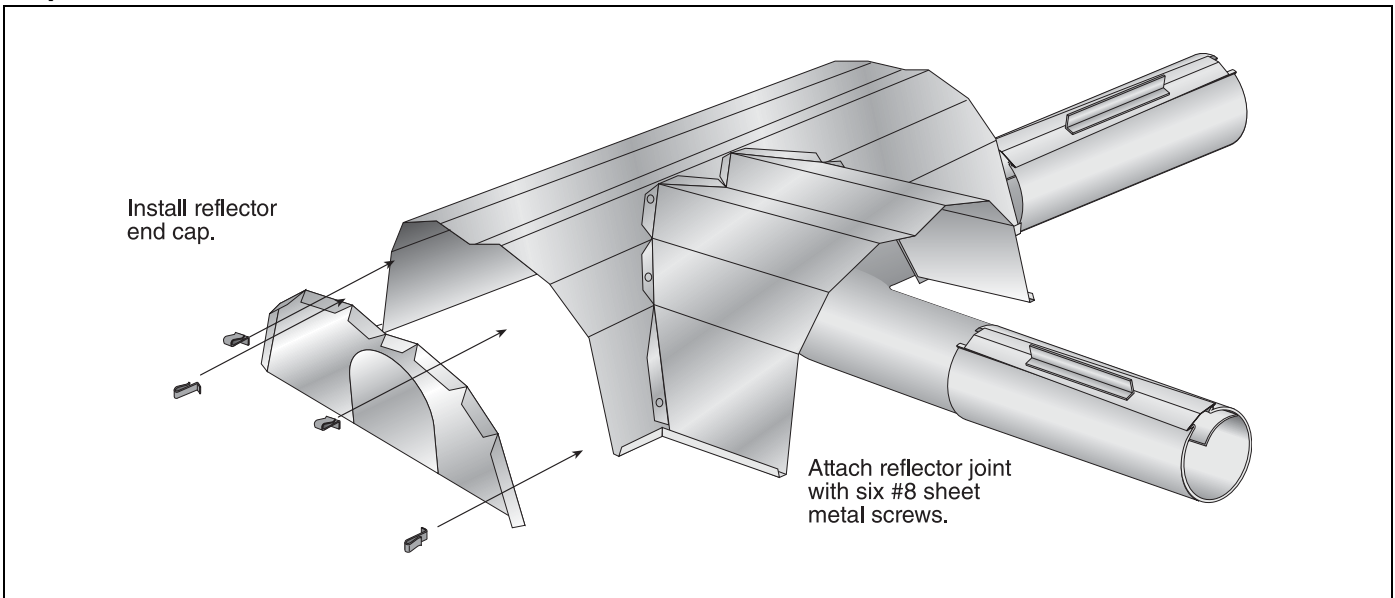
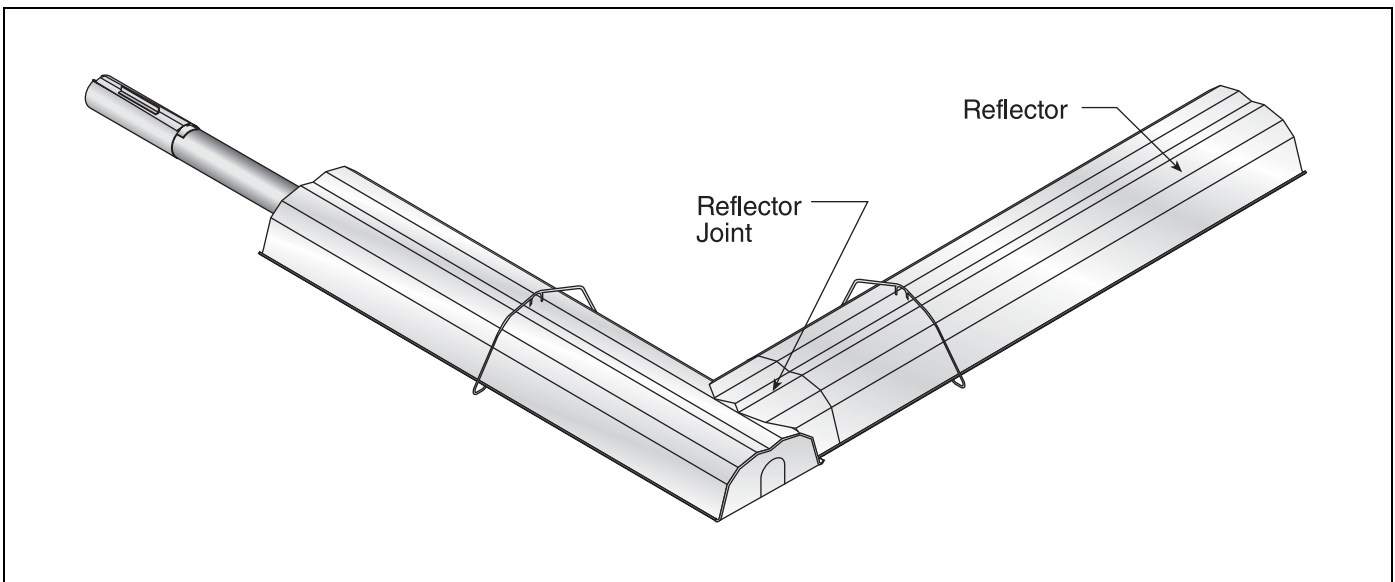
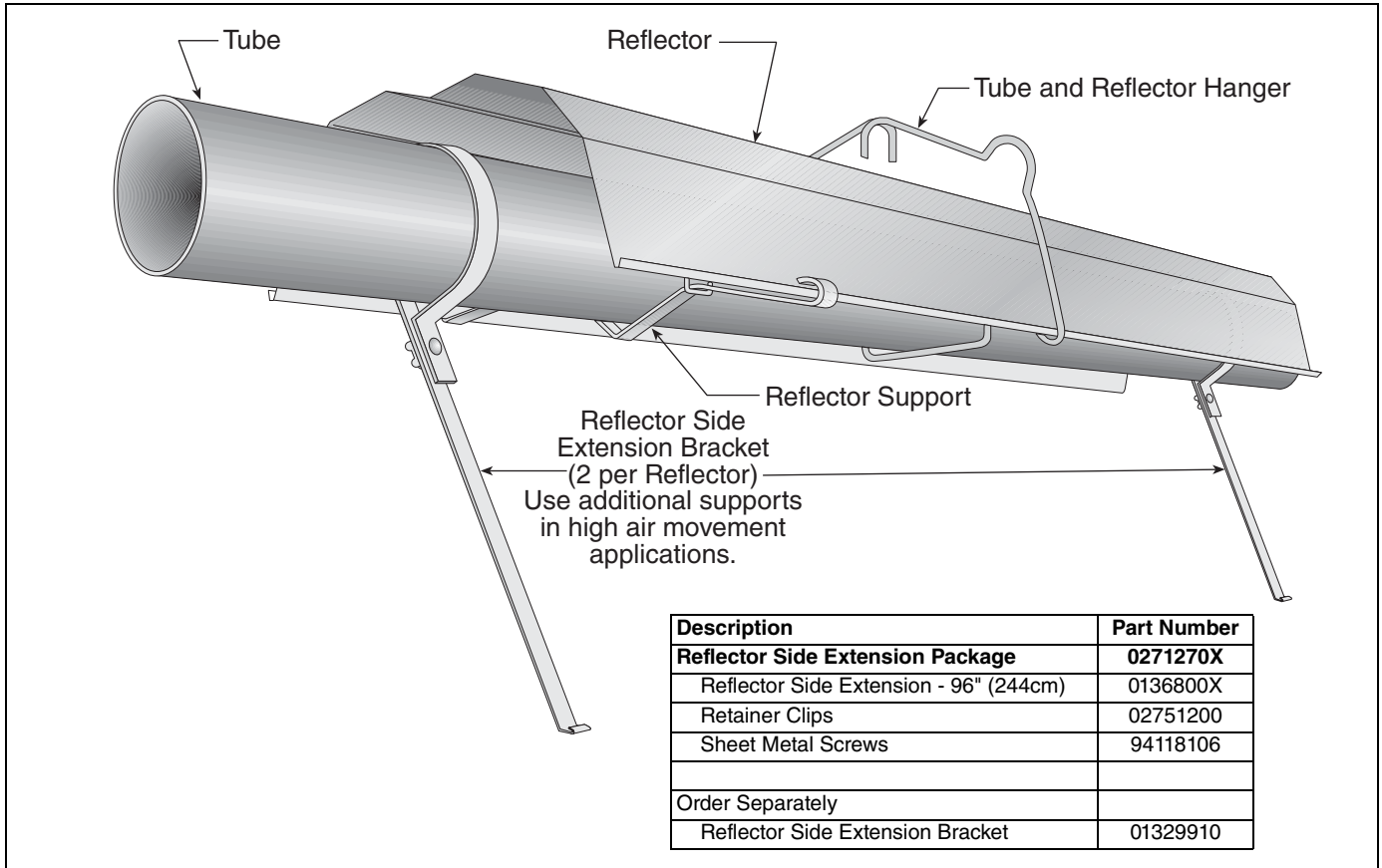


FIGURE 23: Reflector Joint Detail

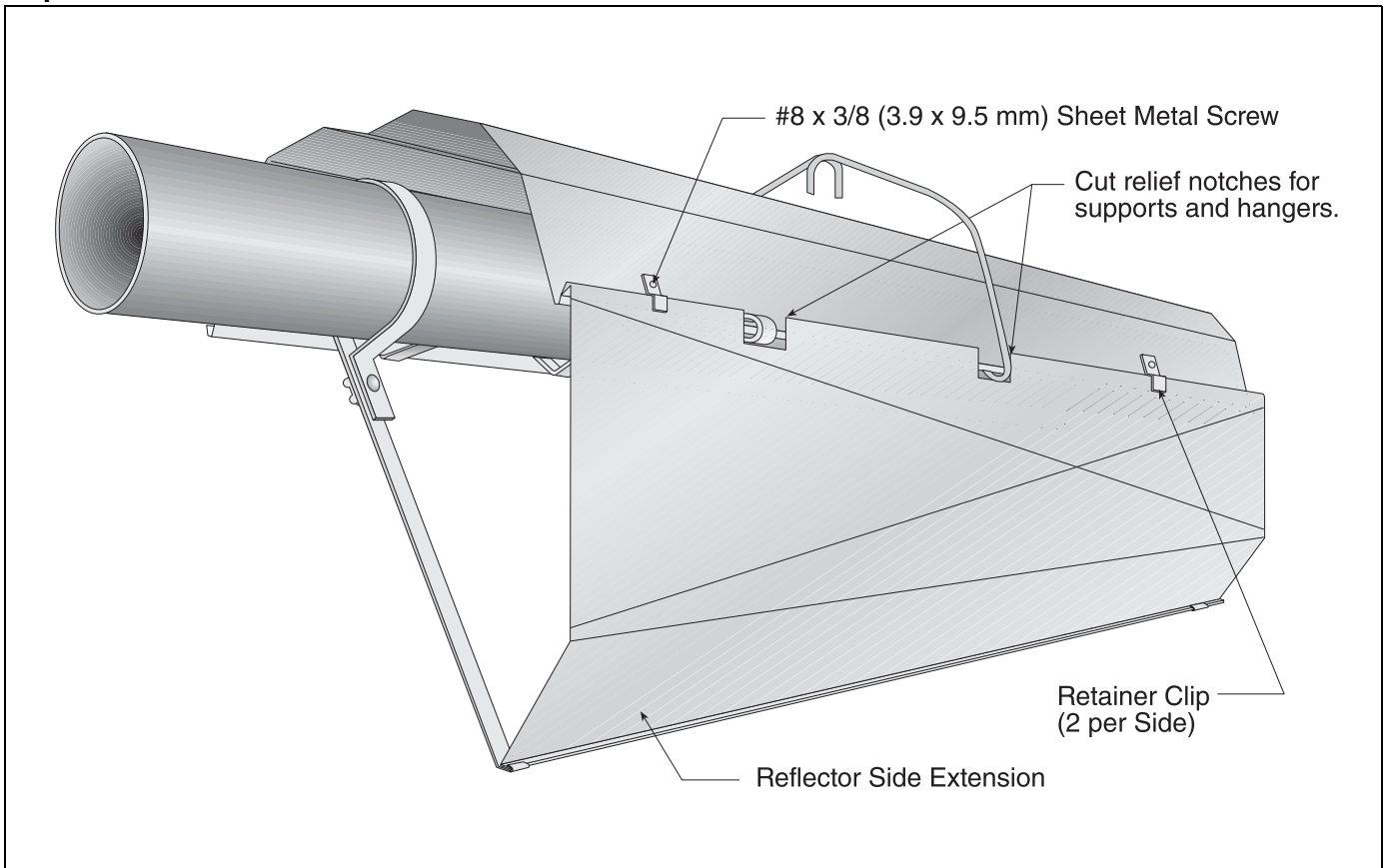


7.3 Reflector Side Extension

Step 7.3.1 Bracket Installation

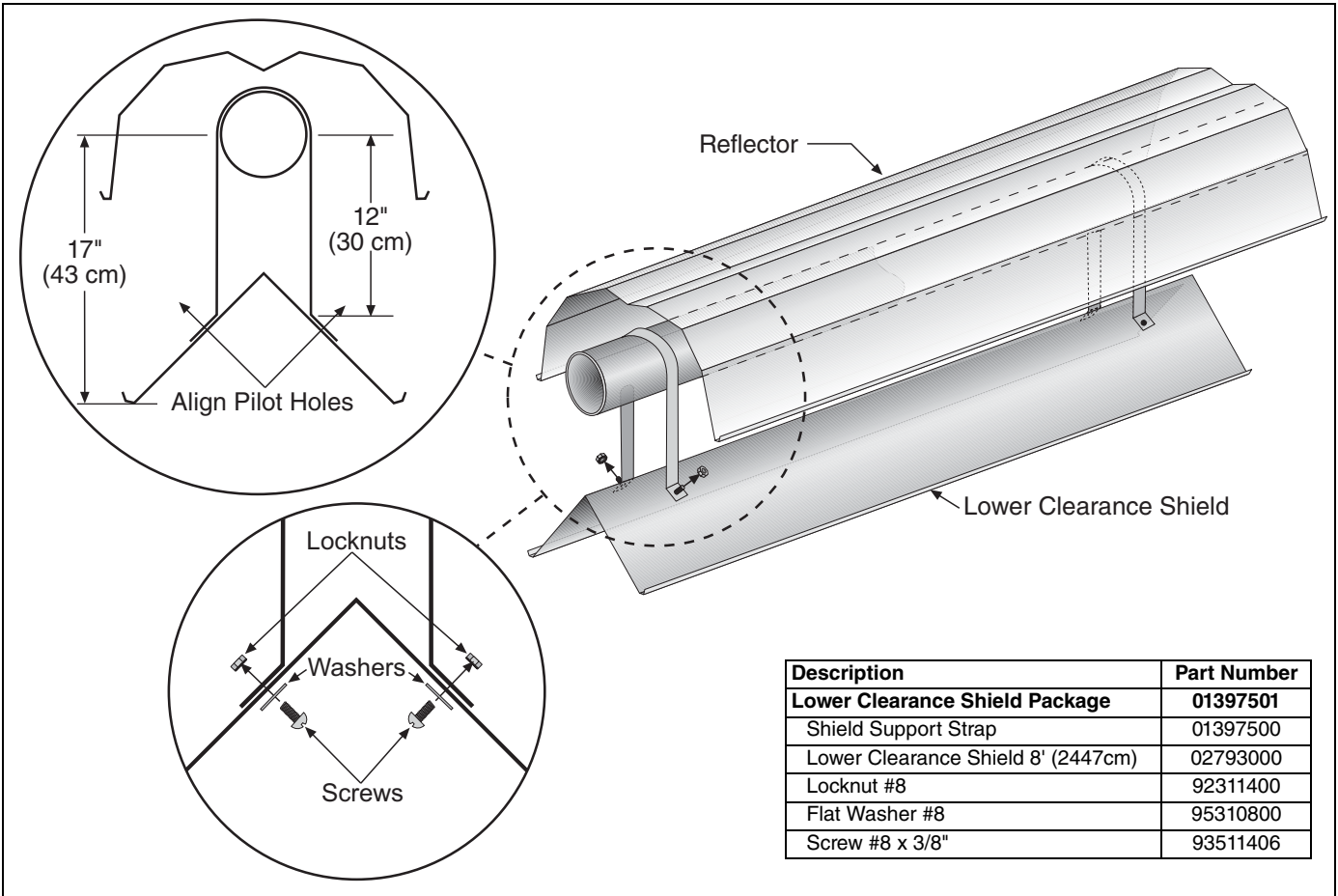


Step 7.3.2 Side Reflector Installation



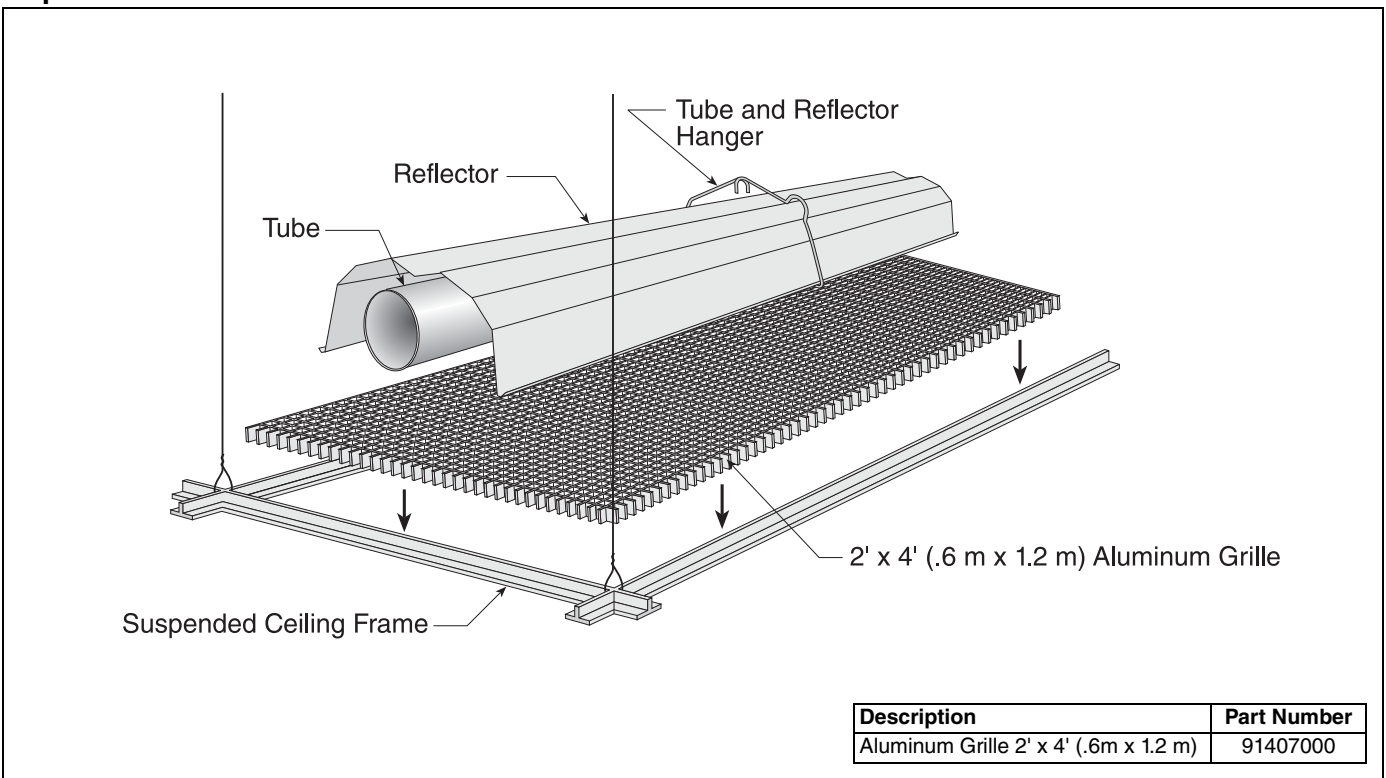
7.4 Lower Clearance Shield Installation

Step 7.4.1 Shield Support Strap Assembly

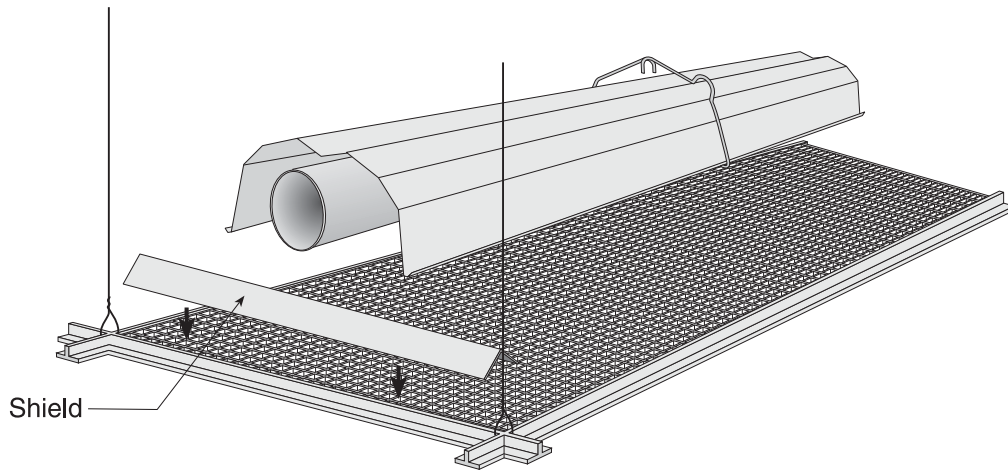


7.5 Two-Foot Decorative Grille Installation

Step 7.5.1 Grille Installation



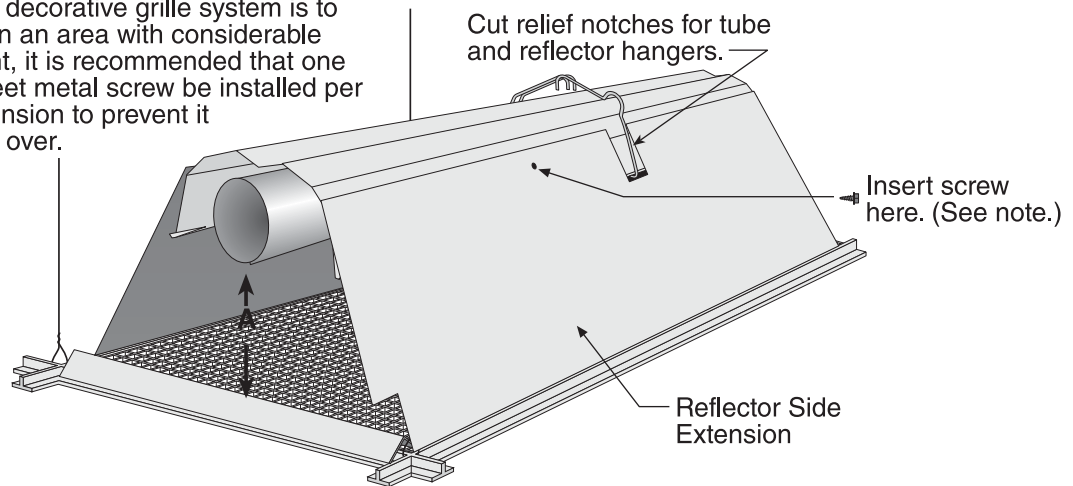
Step 7.5.2 Frame Shield Installation



Description	Part Number
Deco Grille Shield - 24" (61cm)	01365900

Step 7.5.3 Reflector Side Extension Installation for Decorative Grilles

NOTE: If the decorative grille system is to be installed in an area with considerable air movement, it is recommended that one #8 x 3/8" sheet metal screw be installed per reflector extension to prevent it from blowing over.



Distance "A"		Extension	
Minimum	Maximum	Part No.	Width
2" (4 cm)	6" (15 cm)	013704XX	8" (20 cm)
6" (15 cm)	10" (26 cm)	013704XX	12" (30 cm)
10" (26 cm)	14" (37 cm)	013704XX	16" (40 cm)

Description	Part Number
Reflector Side Extension	013704XX

7.6 Protective Grille Installation

Step 7.6.1 Silicone Cap Installation

Grille Finger

Silicone Cap

NOTE: Protective grille available for use with standard reflector ONLY.

Description	Part Number
Grille Section	08050001
Grille End Cap	08050002
Silicone Cap	91915951-6P

Step 7.6.2 Grille End Cap Installation

A

Grille

Grille End Cap

B

C

Pull outward.

D

Bend up 90°.

Step 7.6.3 Grille Installation

Reflector

40"
(101 cm)

Grille

Final Grille Section

Grille End Cap

SECTION 8: VENTING

! WARNING**Carbon Monoxide Hazard**

Heaters installed unvented must be interlocked with sufficient building exhaust.

Heaters must be installed according to the installation manual.

Failure to follow these instructions can result in death or injury.

! WARNING**Cut/Pinch Hazard**

Wear protective gear during installation, operation and service.

Edges are sharp.

Failure to follow these instructions can result in injury.

8.1 General Venting Requirements

This heater must be vented in accordance with the rules contained in this manual and with the following national codes and any state, provincial or local codes which may apply:

United States: Refer to National Fuel Gas Code NFPA 54/ANSI Z223.1 - latest revision.

Canada: Refer to Natural Gas and Propane Installation Code CSA B149.1 - latest revision.

Exhaust end of heater will accept a 4" (10 cm) vent pipe using the vent adapter (P/N 90502700). To prevent leakage of condensation, install the vent adapter with the seam on top and seal the joint using a high temperature silicone sealant.

Any portion of vent pipe passing through a combustible wall must have an approved thimble to conform with the above listed codes.

Vent pipe must be sloped downward away from the burner 1/2" (1 cm) for every 20' (6 m).

The heater may be individually vented or common vented. When venting horizontally, a maximum of two heaters can be commonly vented. See Page 41, Section 8.9. When venting vertically, a maximum of four heaters can be commonly vented. See Page 42, Section 8.10.

The heater may also be installed unvented in certain circumstances according to building ventilation codes. Refer to the above codes and Page 37, Section 8.2 for further information. Unvented operation also requires compliance with the clearances to combustibles given on Page 8, Figure 12.

The bottom of the vent or air intake terminal shall not be located less than 1' (.3 m) above grade level.

The vent shall not terminate less than 7' (2.1 m) above grade where located adjacent to public walkways.

Vent terminal must be installed at a height sufficient to prevent blockage by snow and building materials protected from degradation by flue gasses.

Secure all joints with #8 x 3/8 sheet metal screws. Seal all joints with high temperature silicone sealant.

Vent terminal must be beyond any combustible overhang.

8.1.1 United States Requirements

Vent must terminate at least 3' (.9 m) above any forced air inlet located within 10' (3.1 m).

Vent must terminate at least 4' (1.2 m) below, 4' (1.2 m) horizontally from, or 1' (.3 m) above any door, operable window, or gravity air inlet into any building.

8.1.2 Canadian Requirements

The vent shall not terminate within 6' (1.8 m) of a mechanical air supply inlet to any building.

The vent shall not terminate within 3' (.9 m) of a window or door that can be opened in any building, any non-mechanical air supply inlet to any building, or of the combustion air inlet of any other appliance.

8.2 Unvented Operation

Sufficient ventilation must be provided in the amount of 4 cfm per 1000 Btu/h firing rate (United States); 3 cfm per 1000 Btu/h firing rate (Canada).

Use of optional outside combustion air is not recommended with unvented heaters.

If exhaust fans are used to supply ventilation air, an interlock switch must be used to prevent the heater from coming on when the fans are off. This may be done using a pressure switch.

8.3 Horizontal Venting

In noncombustible walls only, vent terminal (P/N 02537801-1P) may be used.

For 4" (10 cm) vents in either combustible or noncombustible walls, use Tjernlund VH1-4 (P/N 90502100) or equivalent insulated vent terminal. Follow the manufacturer's instructions for proper installation.

For 6" (15 cm) common vents in either combustible or noncombustible walls, use Tjernlund VH1-6 (P/N 90502101) or equivalent insulated vent terminal. Follow the manufacturer's instructions for proper installation.

8.4 Vertical Venting

For 4" (10 cm), an approved vent cap (P/N 90502300) must be used.

For 6" (15 cm) common vent, an approved vent cap (P/N 90502302) must be used.

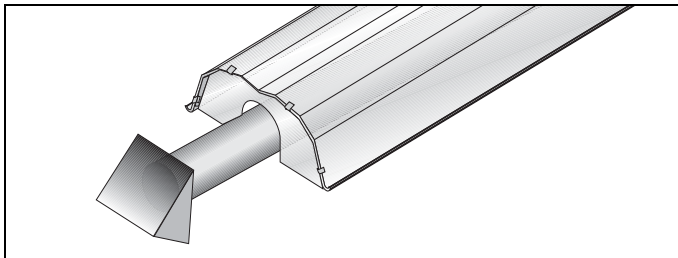
For common vertical venting of more than two heaters, See *Page 42, Section 8.10*.

A vent shall not extend less than 2' (.6m) above the highest point where it passes through a flat roof of a building.

8.5 Unvented Operation Tube Termination

Turndown type vent terminal with a screen must be installed at the exhaust end of the tube. Vent terminal design shall not incorporate backdraft flap.

FIGURE 24: Tube Termination



8.6 Length Requirements

The maximum vent length allowed is 45' (13.7 m).
The maximum outside air supply duct length allowed is 45' (13.7 m).

The total vent length, plus outside air duct length, plus any extensions to minimum heat exchanger lengths, cannot exceed 65' (19.8 m).

Vent length should be limited to less than 20' (6 m). If using vent lengths greater than 20' (6 m), condensation will form in the vent pipe. Insulation and additional sealing measures (high temperature silicone at all seams) are required. Optional heat exchanger beyond minimum lengths is considered as vent length for length determination.

Subtract 15' (4.6 m) of maximum allowed vent or duct length per vent elbow if more than two are used.

8.6.1 Vent Material Recommendations

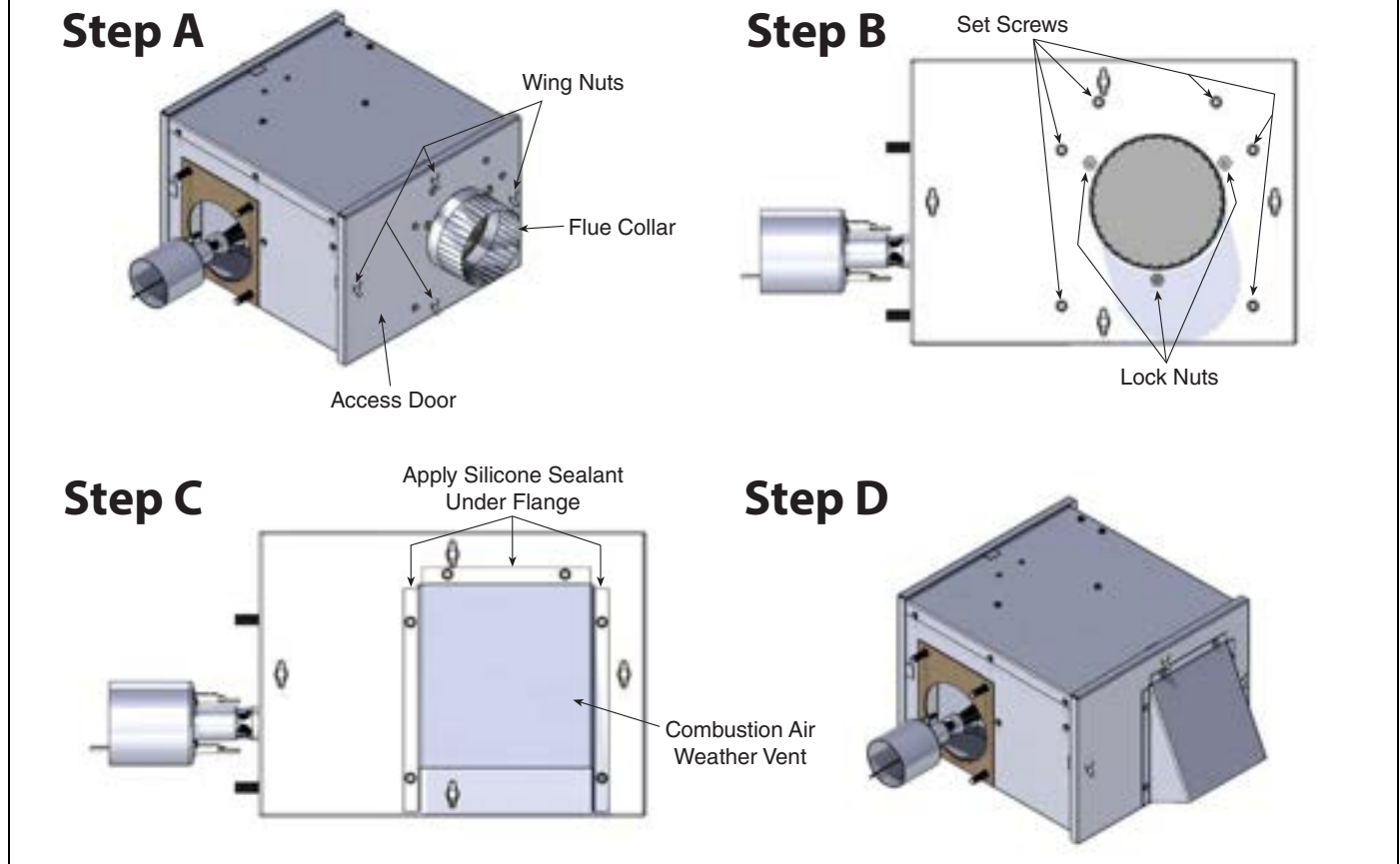
Vent recommendations:

1. Porcelain coated tubing 4" (10 cm) O.D. (P/N 9141030D)
2. Heat treated aluminized tubing 4" (10 cm) O.D. (P/N 91409408)
Heat treated aluminized tubing 6" (15 cm) O.D. (P/N E0009105)
3. Single wall flue pipe - minimum 26 ga. (Supplied by others)

NOTE: 4" (10 cm) O.D. Porcelain coated tubing (P/N 914030D), 4" (10 cm) O.D. Heat treated aluminized tubing (P/N 91409408), and 6" (15 cm) O.D. Heat treated aluminized tubing (P/N E0009105) are equivalent to single wall flue pipe.

FIGURE 25: Combustion Air Weather Vent (P/N 03700009)

To be installed in place of flue collar for installations without fresh air vent pipe.



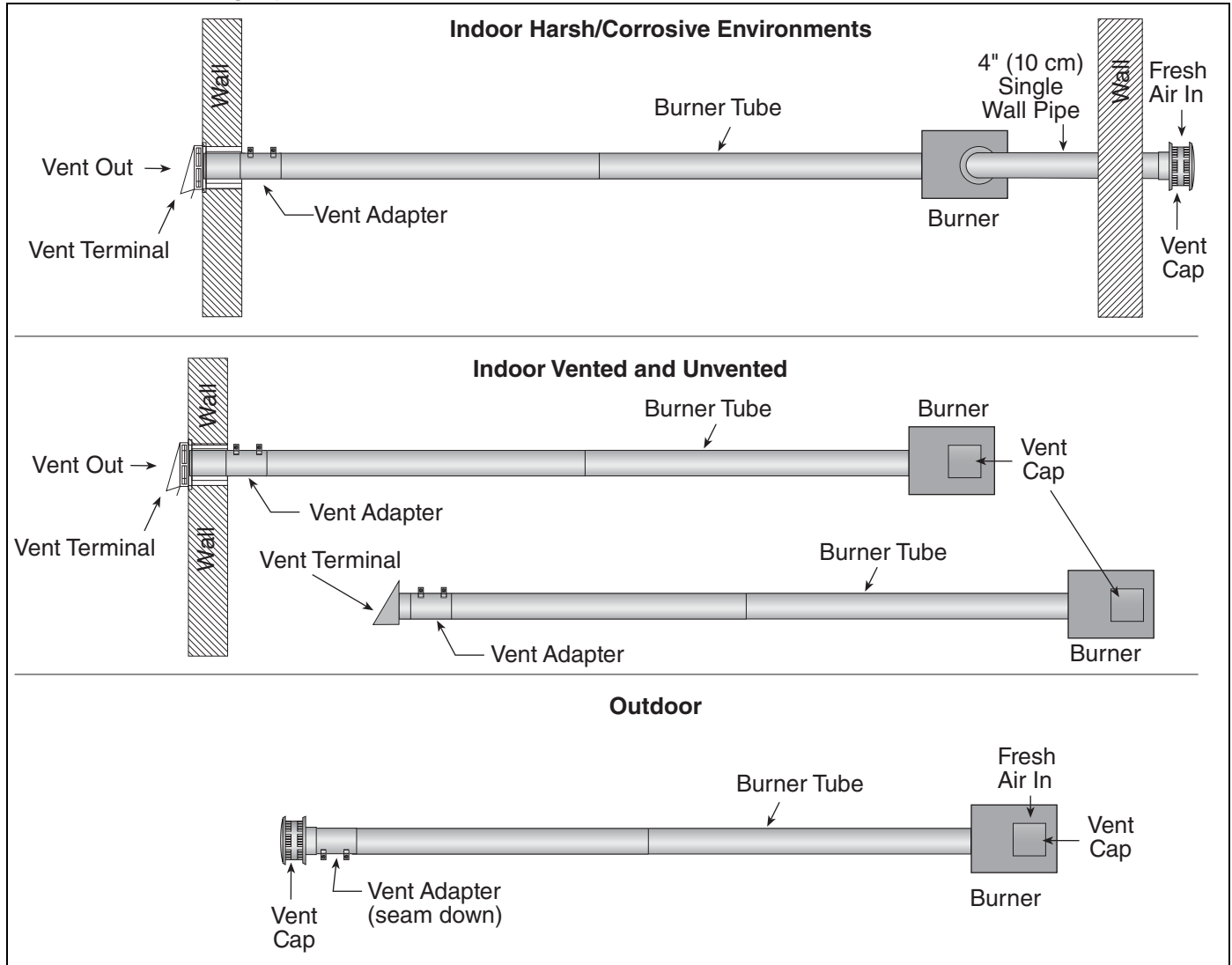
Step A: Remove blower side access door from burner by unscrewing the 4 wing nuts as shown. Carefully remove door to gain access to combustion blower.

Step B: Unscrew 3 lock nuts along with 6 set screws from blower side door as shown. Pull combustion blower from access door and remove flue collar. While keeping blower gasket and bird screen in place, replace combustion blower and tighten locknuts previously removed in step A.

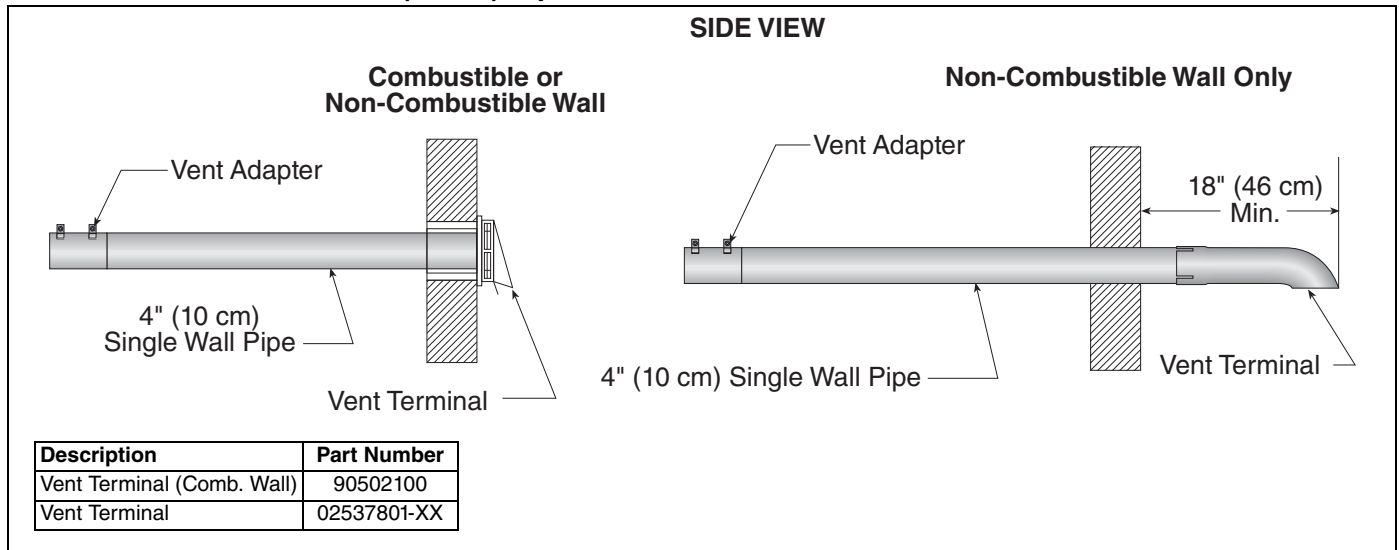
Step C: Apply silicone sealant around Combustion Air Weather Vent flange. Carefully align 6 pre-drilled holes on weather vent flange to 6 holes on access door. Tighten 6 set screws previously removed in step 2 to secure weather vent to burner door.

Step D: Reinstall access door and tighten wing nuts.

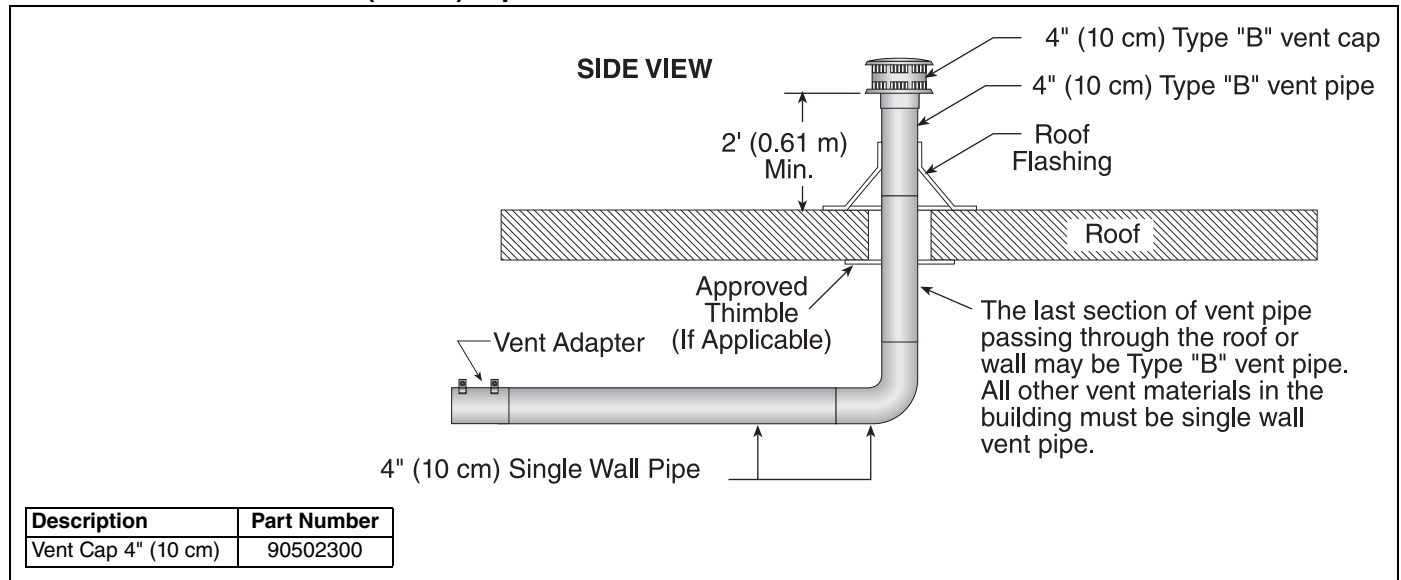
FIGURE 26: Venting Options



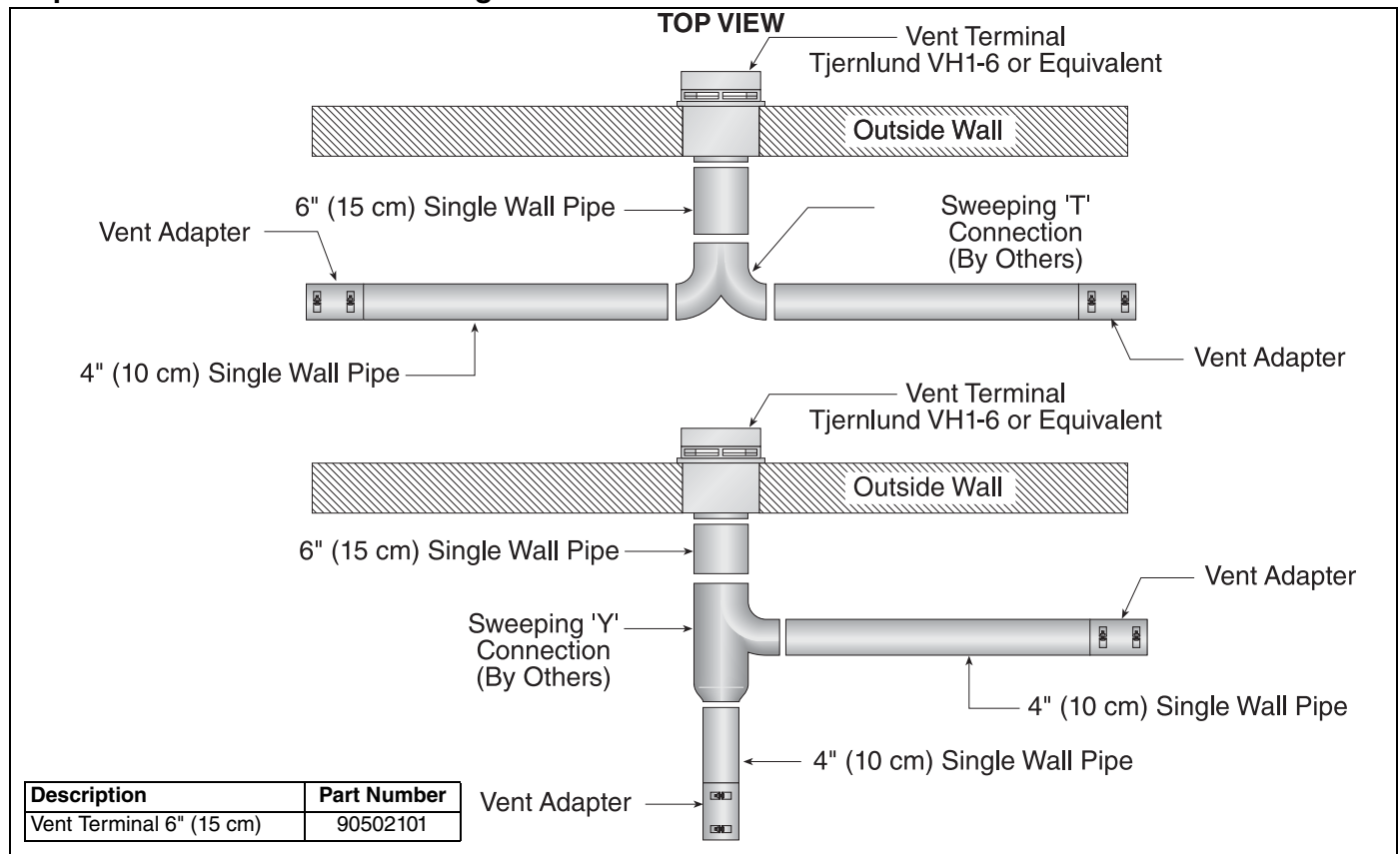
8.7 Horizontal Ventilation 4" (10 cm) Pipe



8.8 Vertical Ventilation 4" (10 cm) Pipe



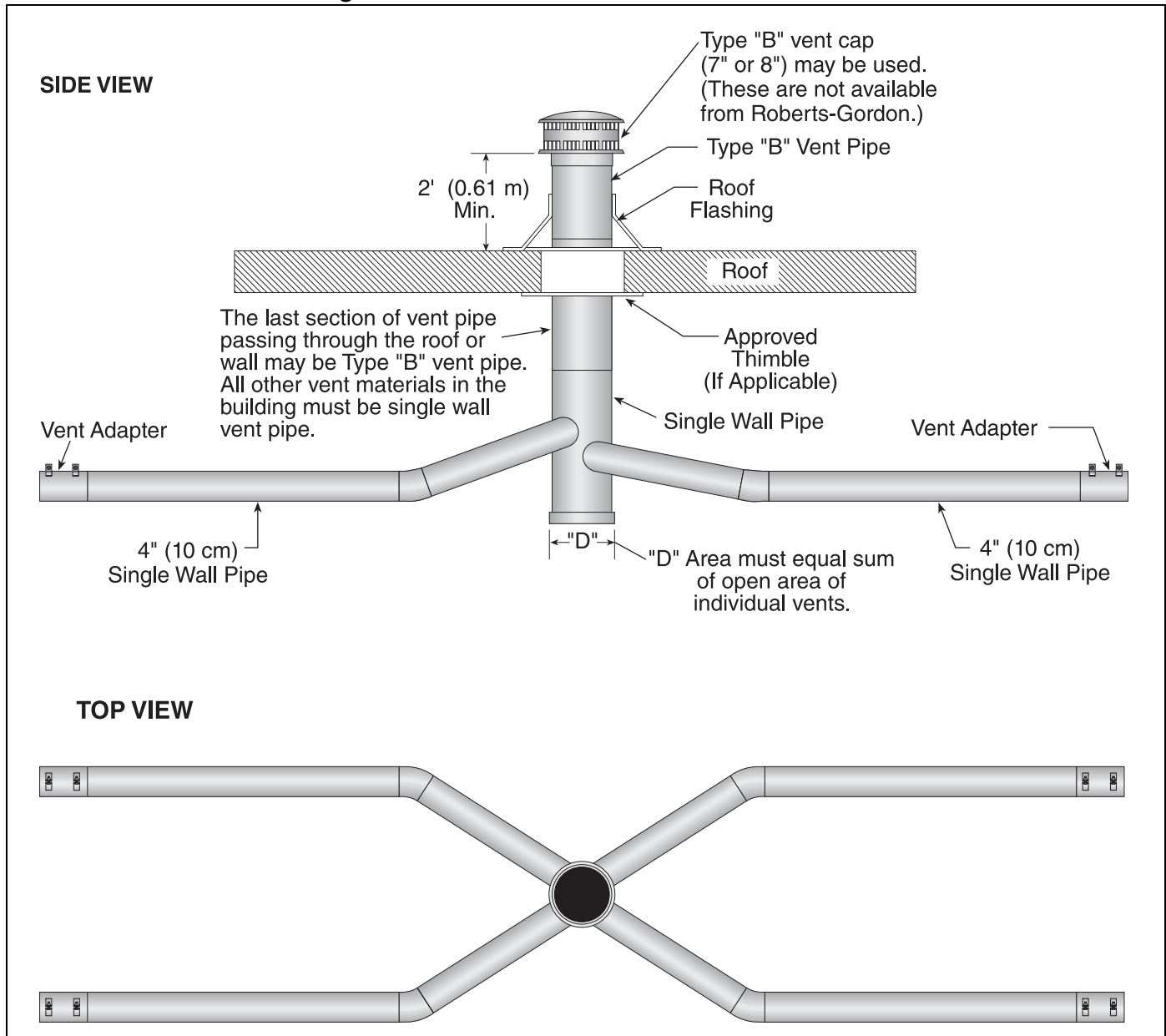
Step 8.9 Common Sidewall Venting



Requirements:

- Maximum of two heaters can be commonly vented through a side wall.
- Heaters must be of the same BTU output.
- Heaters must be controlled by a common thermostat.

8.10 Common Vertical Venting



Requirements:

- Maximum of four heaters can be commonly vented through the roof.
- Heaters must be of the same BTU output.
- Heaters must be controlled by a common thermostat.
- Connections to a common stack must be positioned to avoid direct opposition between streams of combustion gases.

8.11 Outside Combustion Air Supply

IMPORTANT: If the building has a slight negative pressure or corrosive contaminants, such as halogenated hydrocarbons, are present in the air, an outside combustion air supply to the heater is required. Seal all combustion air pipe joints.

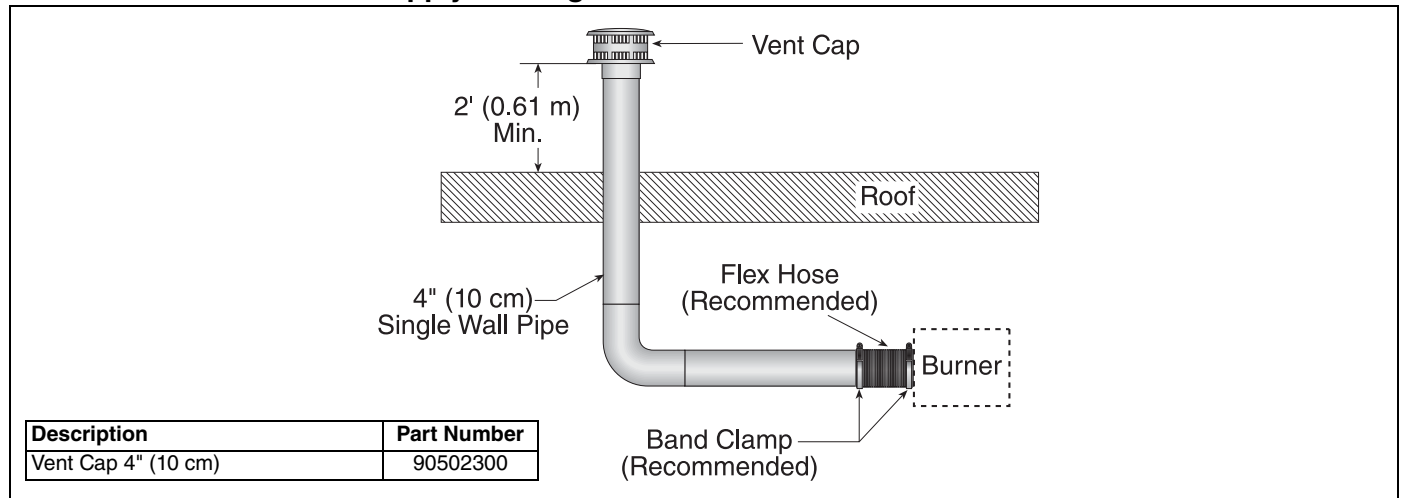
Use of optional outside combustion air is not recommended with unvented heaters.

The air supply duct may have to be insulated to prevent condensation on the outer surface. The outside air terminal must not be more than 1' (31 cm) above the vent termination while maintaining a minimum distance of 3' (93 cm) for both vertical and horizontal venting.

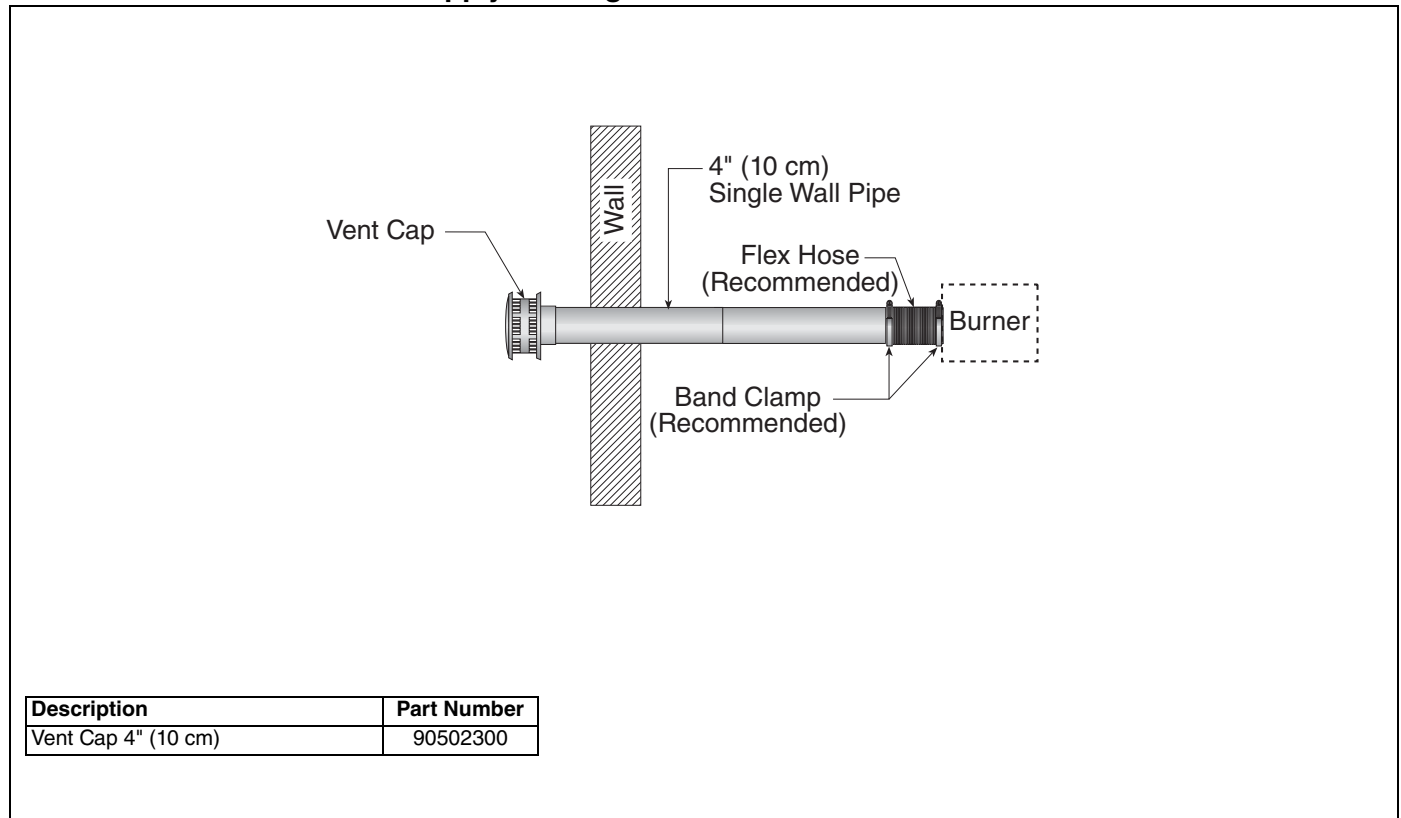
8.11.1 Length Requirements

Follow the constraints listed on *Page 38, Section 8.6.*

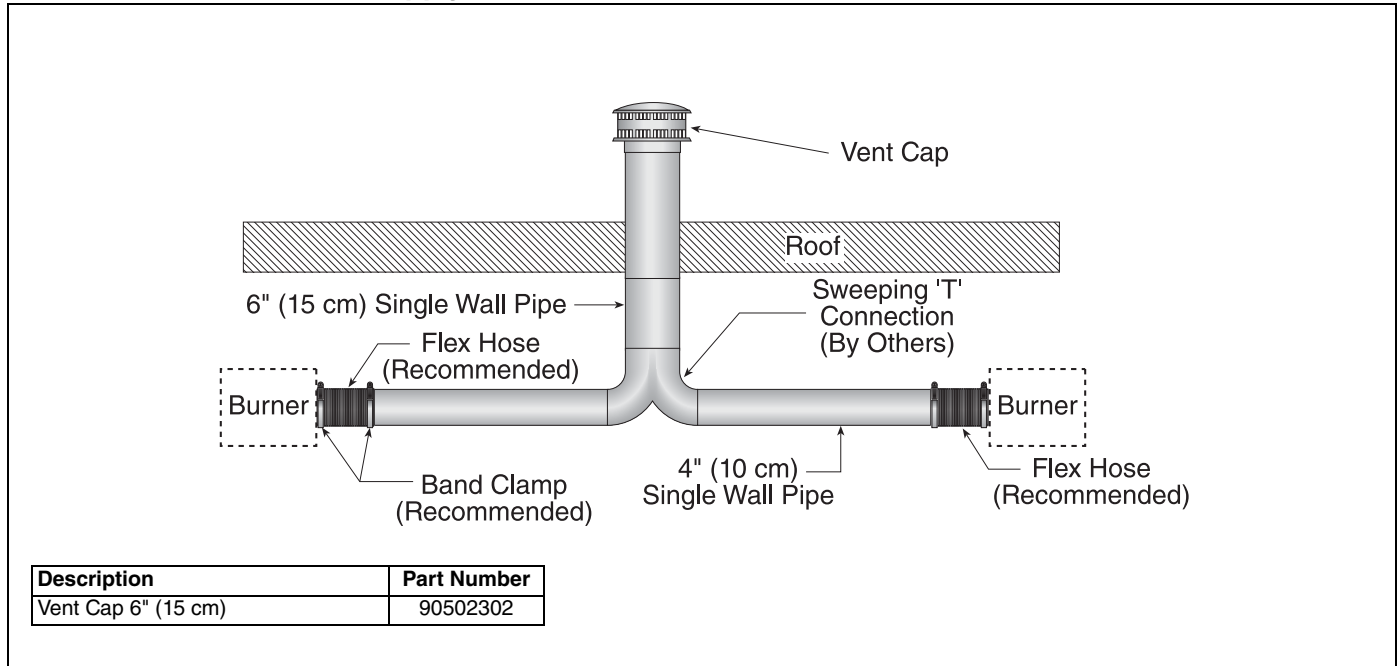
8.11.2 Vertical Outside Air Supply for Single Heater Installation



8.11.3 Horizontal Outside Air Supply for Single Heater Installation



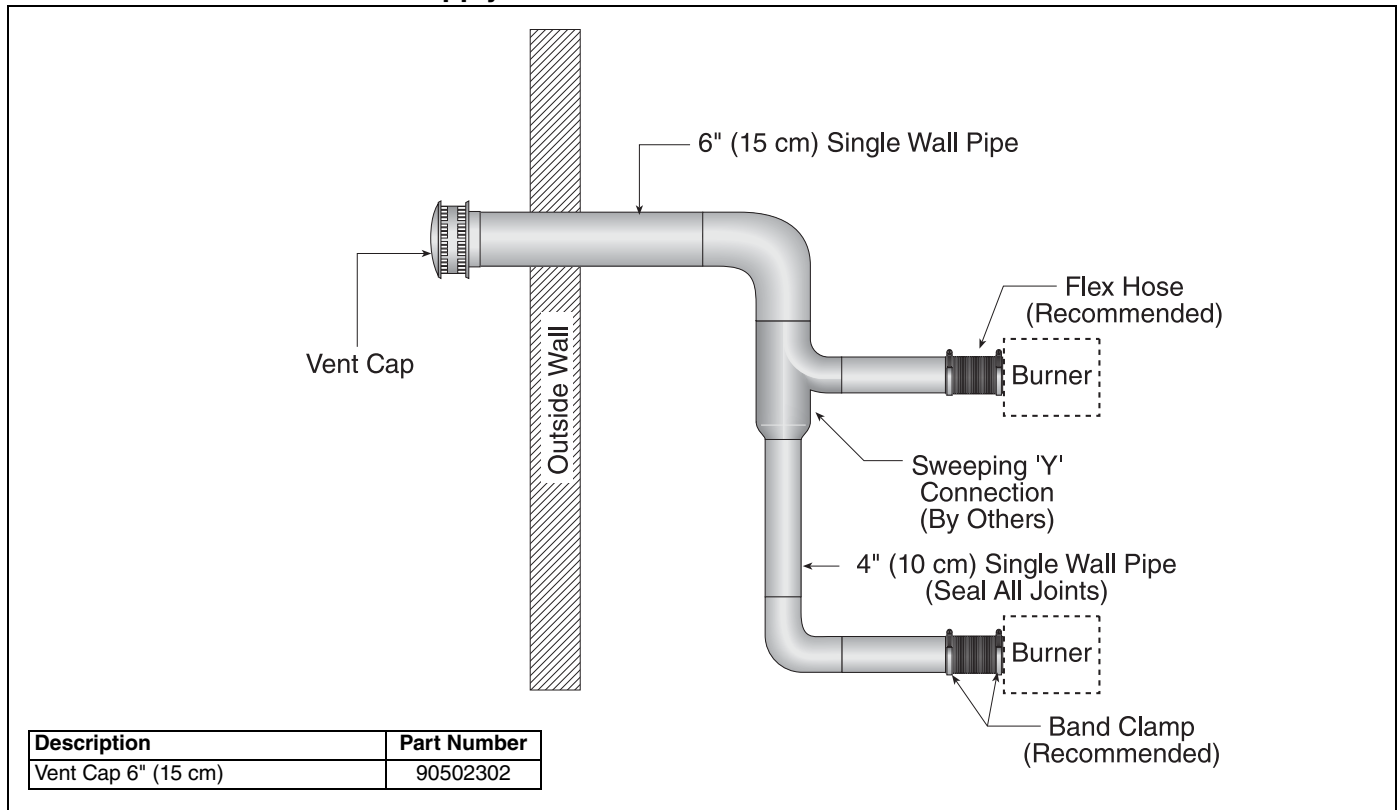
8.11.4 Vertical Outside Air Supply for Double Heater Installation



Requirements:

- Heaters must be controlled by a common thermostat.

8.11.5 Horizontal Outside Air Supply for Double Heater Installation



Requirements:

- Heaters must be controlled by a common thermostat.

SECTION 9: GAS PIPING

! WARNING**Fire Hazard**

Tighten gas hose fittings to connect gas supply according to Figure 23.

Gas hose can crack when twisted.

Gas hose moves during normal operation.

Use only 36" (91 cm) long connector of 1/2" or 3/4" nominal ID.

Connector supplied with heater for U.S. models (not with Canadian models).

Failure to follow these instructions can result in death, injury or property damage.

! WARNING**Explosion Hazard**

Leak test all components of gas piping before operation.

Gas can leak if piping is not installed properly.

Do not high pressure test gas piping with heater connected.

Failure to follow these instructions can result in death, injury or property damage.

There is an expansion of the tube with each firing cycle. This will cause the burner to move with respect to the gas line. This can cause a gas leak resulting in an unsafe condition if the gas connection is not made in strict accordance with *Figure 27*.

Meter and service must be large enough to handle all the burners being installed plus any other connected load. The gas line which feeds the system must be large enough to supply the required gas with a maximum pressure drop of 1/2" wc. When gas piping is not included in the layout drawing, the local gas supplier will usually help in planning the gas piping.

Gas lines must meet applicable codes:

United States: The Flexible Stainless Steel Gas Hose (US models) supplied with the heater is certified per the Standard for Connectors for Gas Appliances, ANSI Z21.24/CSA 6.10 - latest revision.

Canada: The Rubber Type 1 Gas Hose (Canadian models) optional with the heater is certified as being in compliance with the Standard for Elastomeric Composite Hose and Hose Couplings for Conducting Propane and Natural Gas, CAN/CGA 8.1 - Latest revision.

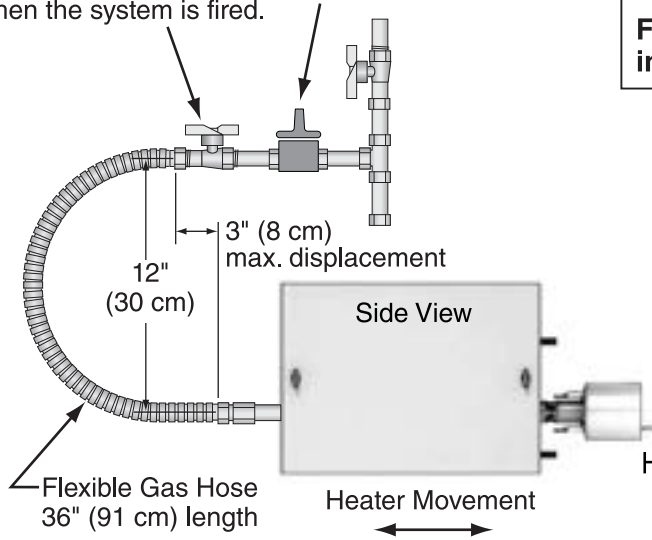
- **Check the pipe and tubing ends for leaks before placing heating equipment into service. When checking for gas leaks, use a soap and water solution; never use an open flame.**

Install the gas hose as shown in *Figure 27*. The gas hose accommodates expansion of the heating system and allows for easy installation and service of the burner. Before connecting the burners to the supply system, verify that all high pressure testing of the gas piping has been completed.

FIGURE 27: Gas Connection with Flexible Gas Hose

CORRECT POSITIONS

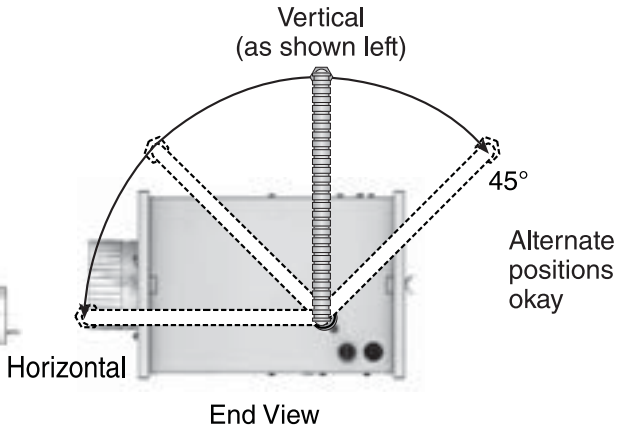
Shut-Off Valve (included with gas hose) must be parallel to burner gas inlet. The 3" (8 cm) displacement shown is for the cold condition. This displacement may reduce when the system is fired. High Gas Pressure Regulator to be installed upstream of flexible gas hose if inlet pressure exceeds maximum allowance.



CAUTION
Product Damage Hazard

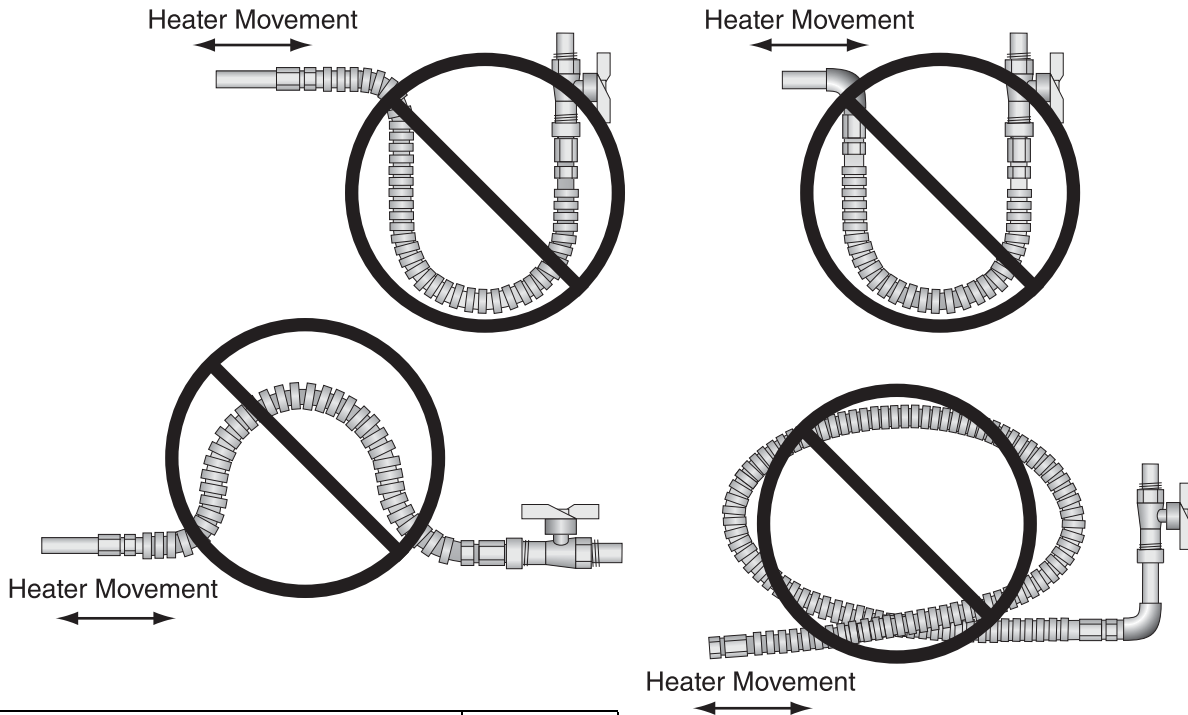
Hold gas nipple securely with pipe wrench when attaching gas hose.

Failure to follow these instructions can result in product damage.



Description	Part Number
High Pressure Regulator - 2 psi	90207600
High Pressure Regulator - 5 psi	90207601

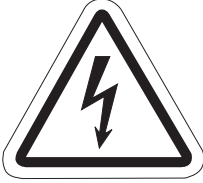
INCORRECT POSITIONS (WRONG INSTALLATION)



Description	Part Number
3/4" Flexible Stainless Steel Gas Hose (US Models)	91412204
1/2" Rubber Type 1 Gas Hose (Canadian Models)	91412206
3/4" Rubber Type 1 Gas Hose (Canadian Models)	91412207

SECTION 10: WIRING

⚠ DANGER



Electrical Shock Hazard

Disconnect electric before service.

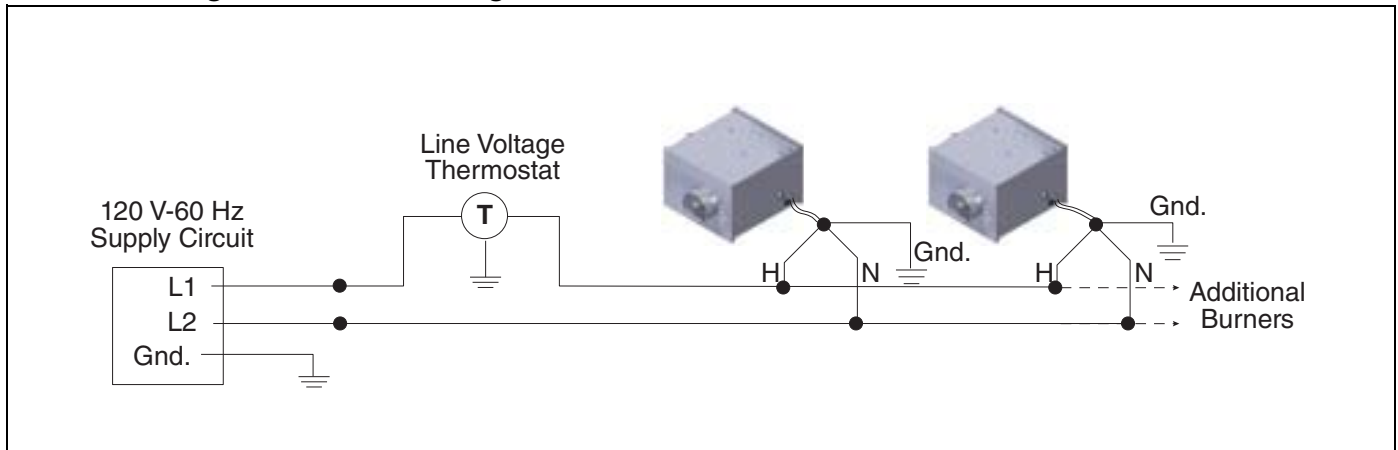
Heater must be properly earthed.

Failure to follow these instructions can result in death or electrical shock.

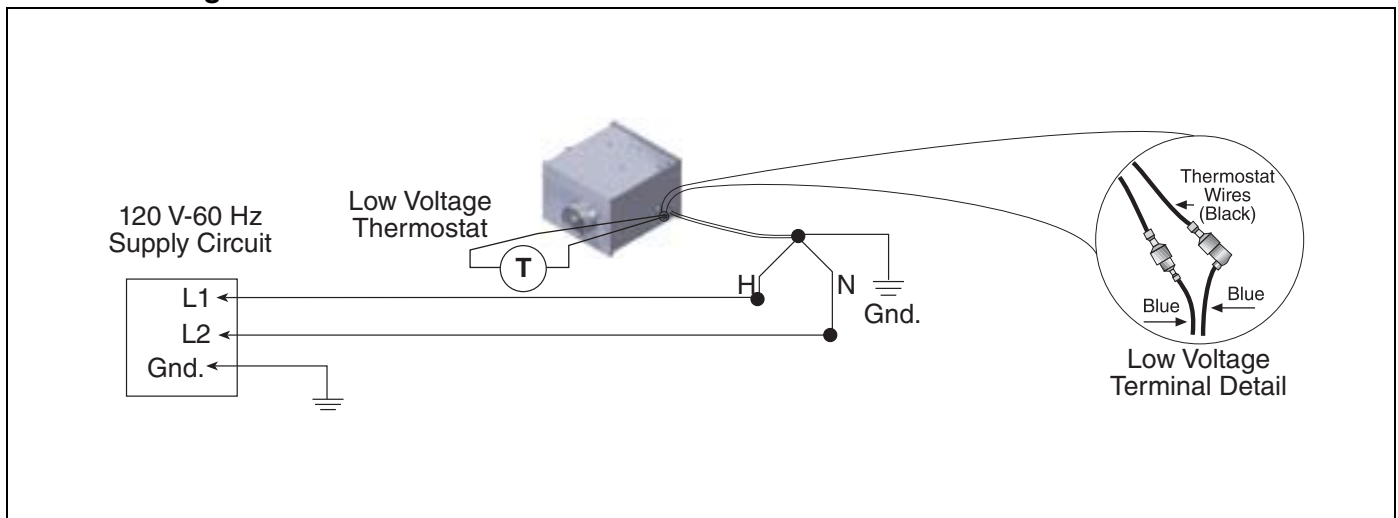
Heaters can be controlled using several methods. Normally thermostats are used to control the heaters but they can also be controlled by an Energy

Management System. *Section 10.1* below illustrates the connection for heaters controlled by a line voltage thermostat. **NOTE:** In order to use line voltage thermostats, the low voltage terminal located at the back of each burner must be connected as shown in the detail. For a single heater on a low voltage thermostat, See *Section 10.2* below. To control multiple heaters on one low voltage thermostat, See *Page 48, Section 10.3*. **NOTE:** In order to control multiple heaters on one low voltage thermostat, the low voltage terminals on each heater must be connected as shown in detail. Heater must be grounded in accordance with applicable codes: **United States:** refer to National Electrical Code® NFPA 70 - latest revision **Canada:** refer to Canadian Electrical Code, CSA C22.1 Part I - latest revision. If any of the original internal wiring must be replaced, it must be replaced with wiring materials having a temperature rating of at least 105° C and 600 V.

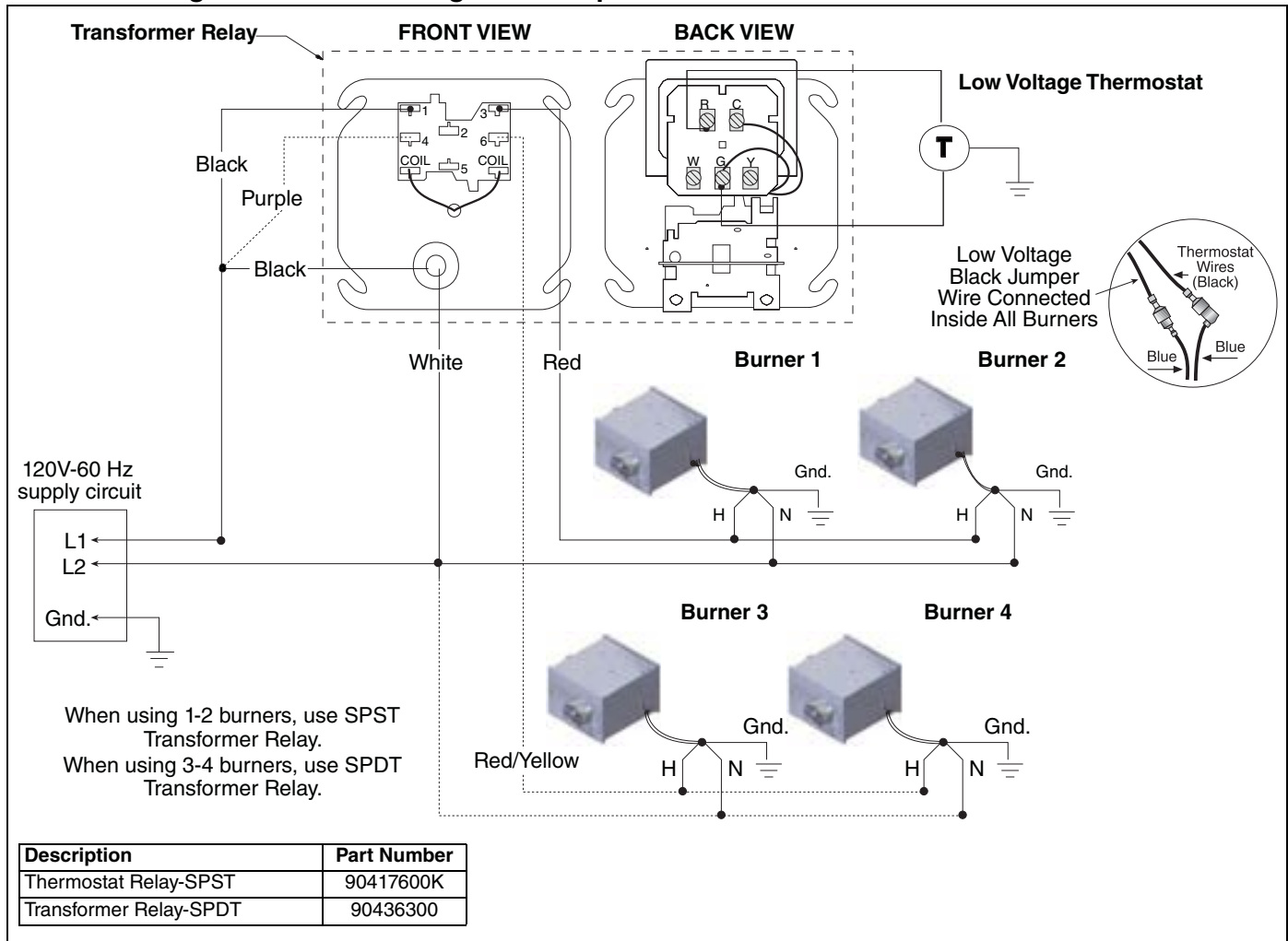
10.1 Line Voltage Thermostat Wiring



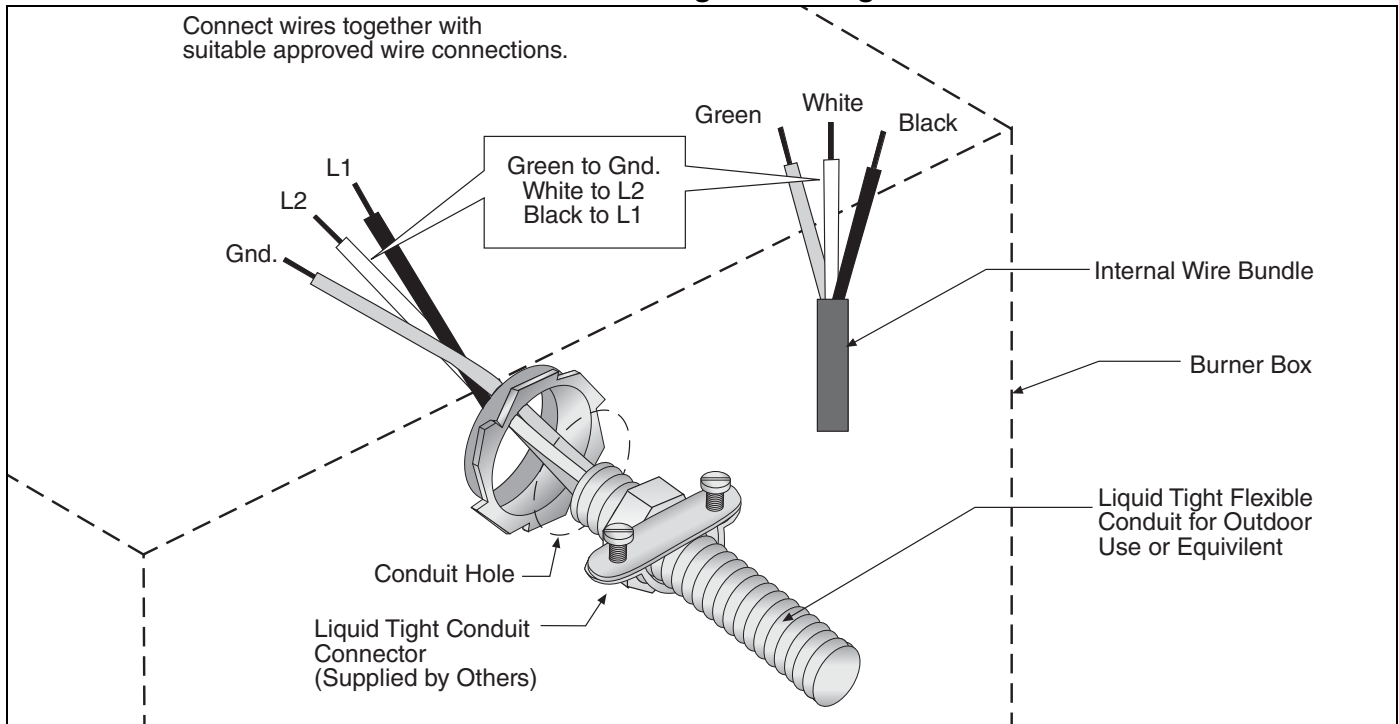
10.2 Low Voltage Thermostat with One Burner



10.3 Low Voltage Thermostat Wiring with Multiple Burners



10.4 Electrical Connection to the Burner Box Using Line Voltage Thermostat on Control

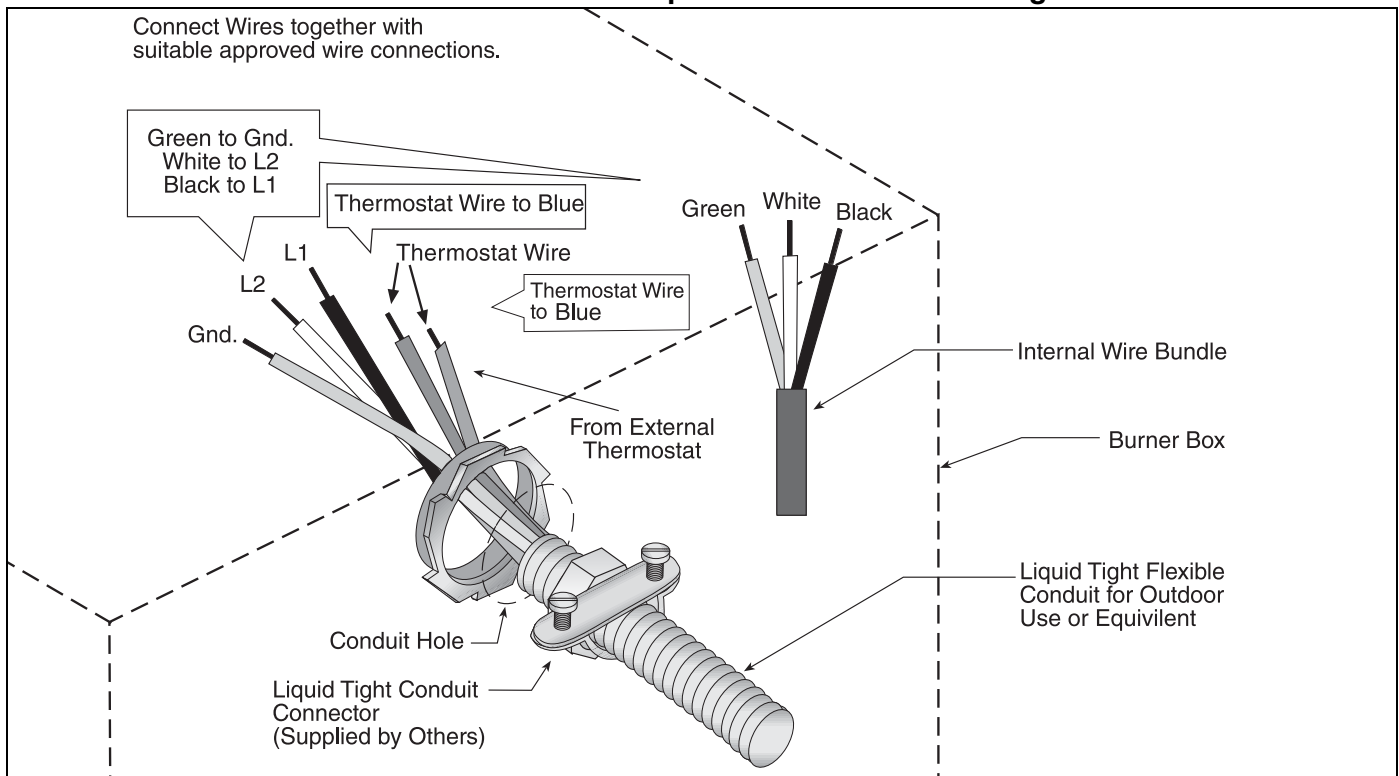


10.5 For External Thermostat Connection

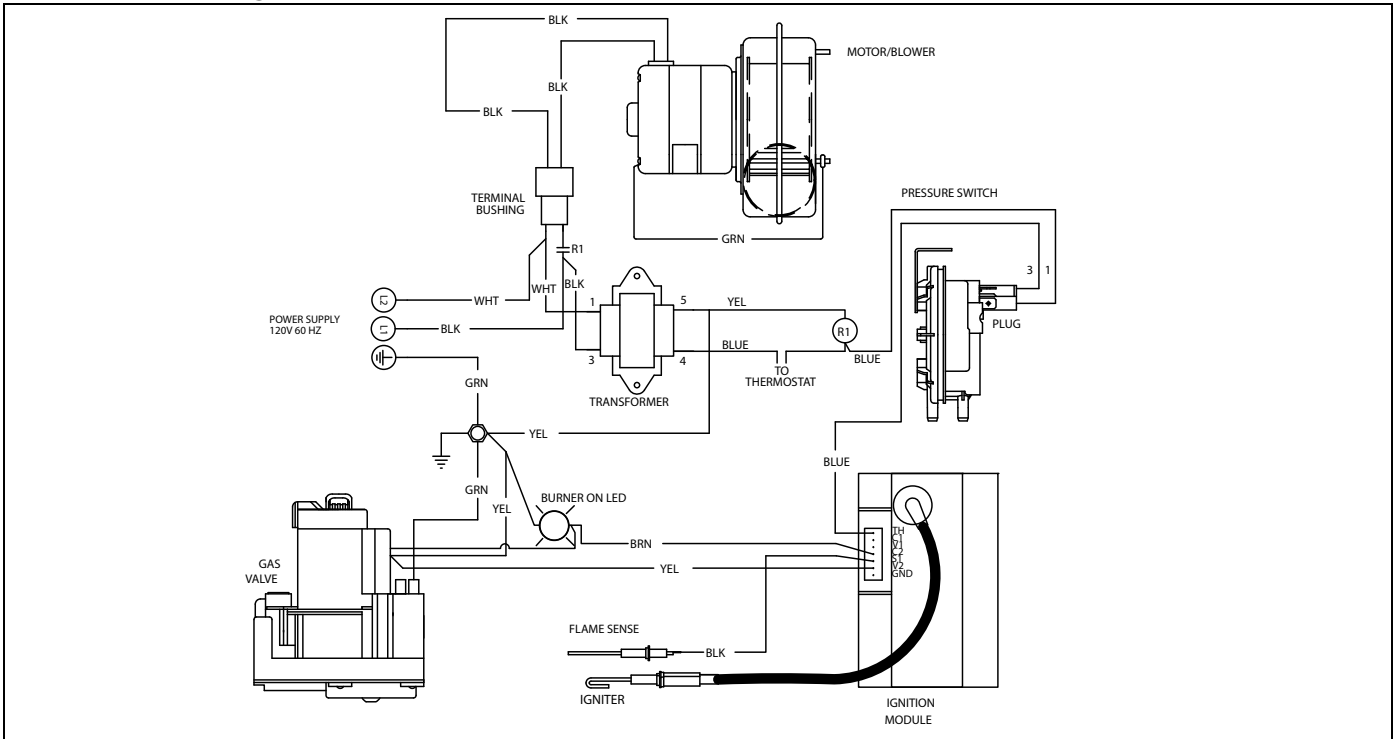
Run two wires from low voltage thermostat through conduit as shown. The blue wire from the R1 relay and the blue wire from the transformer have 1/4" (6 mm) blade female electrical terminals, which are connected by a black jumper wire. Cut the female

connections off the ends of the 2 blue wires and strip the ends approximately 1/2" (1.3 cm). Connect these 2 wires to the thermostat wires using suitable wire connectors.

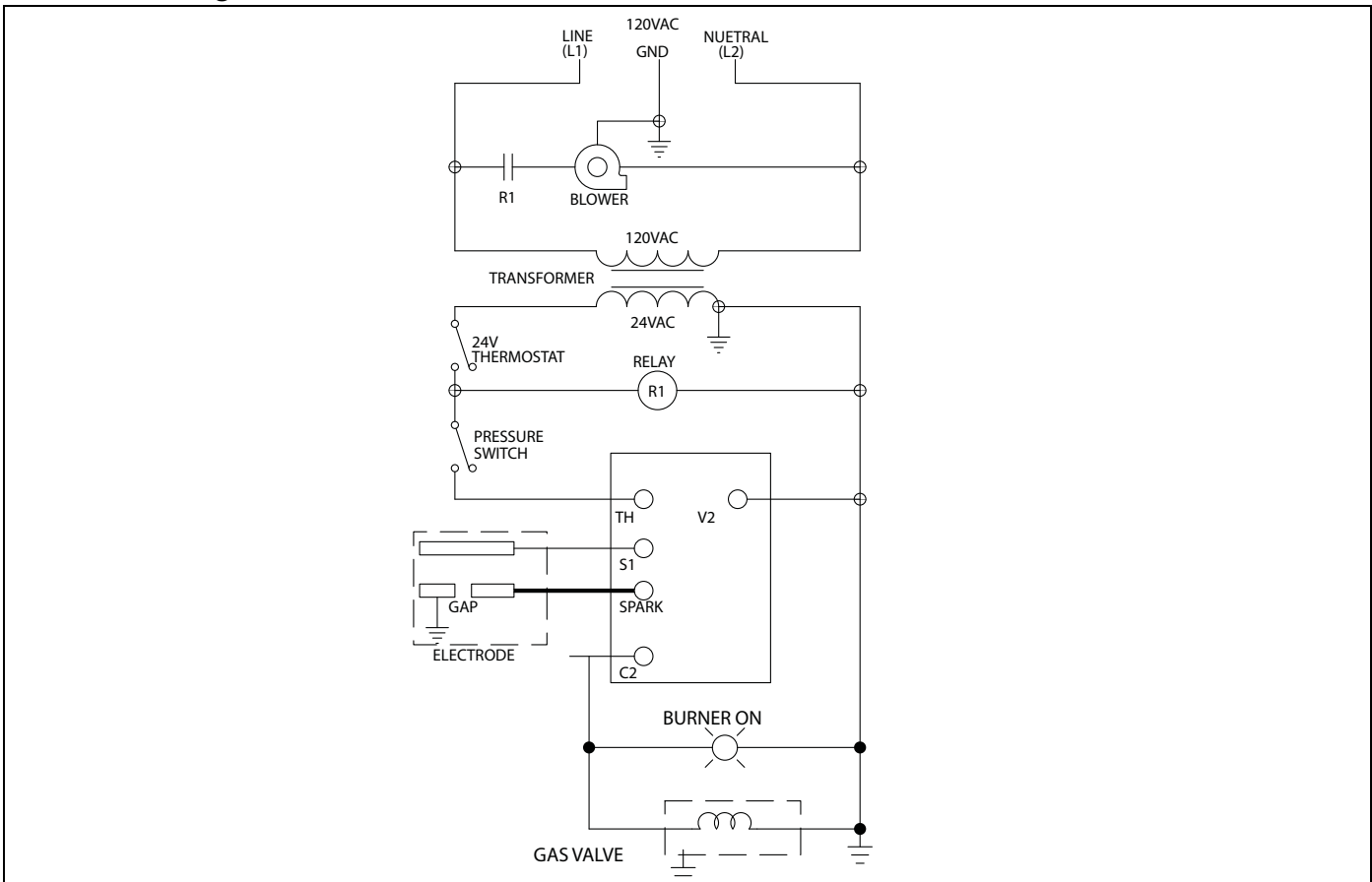
10.6 Electrical Connection to Burner Box with Optional External Low Voltage Thermostat







10.7 Internal Wiring



10.8 Ladder Diagram



SECTION 11: OPERATION AND MAINTENANCE

⚠ DANGER	⚠ WARNING		
			
Electrical Shock Hazard Disconnect electric before service. Heater must be connected to a properly grounded electrical source.	Explosion Hazard Turn off gas supply to heater before service.	Burn Hazard Allow heater to cool before service. Tubing may still be hot after operation.	Cut/Pinch Hazard Wear protective gear during installation, operation and service. Edges are sharp.
Failure to follow these instructions can result in death, electric shock, injury or property damage.			

This heater is equipped with a direct spark ignition system.

11.1 Sequence of Operation

4. Turn the thermostat up. When the thermostat calls for heat, the blower motor will energize.
5. When the motor approaches nominal running RPM, the pressure switch closes and activates the ignition module.
6. After a 45 second prepurge, the ignition module then opens the gas valve and energizes the spark igniter.
7. When the flame is established, the sparking sequence ceases.
8. If the flame is not established during the ignition sequence, the ignition module closes the gas valve and purge begins. Module will try 2 additional times for ignition (with purges in between trials). If ignition is not established, the module will lockout.
9. If the flame extinguishes during operation, the ignition module will attempt the multiple trial sequence described in step 5. If ignition is not re-established, the module will lockout for one hour or until reset.
10. After lockout, the control can be reset by turning down thermostat for five seconds, and then raising it again to desired temperature, or by disconnecting power and then reconnecting.

11. When thermostat is satisfied, all power to the unit is shut off.

11.2 To Shut Off Heater

Set thermostat to lowest setting.

Turn OFF electric power to heater.

Turn OFF manual gas valve in the heater supply line.

11.3 To Start Heater

Turn gas valve and electric power OFF and wait five minutes for unburned gases to vent from heater.

Turn ON main gas valve.

Turn ON electric power.

Set thermostat to desired temperature. Burner should light automatically.

11.4 Pre-Season Maintenance and Annual Inspection

To ensure your safety and years of trouble-free operation of the heating system, service and annual inspections must be done by a contractor qualified in the installation and service of gas-fired heating equipment.

Turn off gas and electric supplies before performing service or maintenance. Allow heater to cool before servicing.

Before every heating season, a contractor qualified in the installation and service of gas-fired heating equipment must perform a thorough safety inspection of the heater.

For best performance, the gas, electrical, thermostat connections, tubing, venting, suspensions and over-

all heater condition should be thoroughly inspected.

NOTE: Gas flow and burner ignition are among the first things that should be inspected.

Please see *Page 52, Section 11.5* for suggested items to inspect.

11.5 Maintenance Checklist

Installation Code and Annual Inspections:

All installation and service of ROBERTS GORDON® equipment must be performed by a contractor qualified in the installation and service of equipment sold and supplied by Roberts-Gordon LLC and


conform to all requirements set forth in the ROBERTS GORDON® manuals and all applicable governmental authorities pertaining to the installation, service, operation and labeling of the equipment.





To help facilitate optimum performance and safety, Roberts-Gordon LLC recommends that a qualified contractor conduct, at a minimum, annual inspections of your ROBERTS GORDON® equipment and perform service where necessary, using only replacement parts sold and supplied by Roberts-Gordon LLC

The Vicinity of the Heater	<p>Do not store or use flammable objects, liquids or vapors near the heater. Immediately remove these items if they are present.</p> <p><i>See Page 5, Section 3.</i></p>
Vehicles and Other Objects	<p>Maintain the clearances to combustibles.</p> <p>Do not hang anything from, or place anything on, the heater.</p> <p>Make sure nothing is lodged underneath the reflector, in between the tubes or in the decorative or protective grilles (included with select models).</p> <p>Immediately remove objects in violation of the clearances to combustibles.</p> <p><i>See Page 5, Section 3.</i></p>
Reflector	<p>Support reflector with reflector hanger and support strap.</p> <p>Reflector must not touch tube.</p> <p>Make sure there is no dirt, sagging, cracking or distortion.</p> <p>Do not operate if there is sagging, cracking or distortion.</p> <p>Make sure reflectors are correctly overlapped. <i>See Page 25, Section 6.6.1.</i></p> <p>Clean outside surface with a damp cloth.</p>
Vent Pipe	<p>Venting must be intact. Using a flashlight, look for obstructions, cracks on the pipe, gaps in the sealed areas or corrosion.</p> <p>The area must be free of dirt and dust. Clean as required.</p> <p>Remove any carbon deposits or scale using a wire brush.</p> <p><i>See Page 37, Section 8.</i></p>
Outside Air Inlet	<p>Inlet must be intact. Look for obstructions, cracks on the pipe, gaps in the sealed areas or corrosion.</p> <p>The area must be free of dirt and dust. Clean and reinstall as required.</p>
Tubes	<p>Make sure there are no cracks.</p> <p>Make sure tubes are connected and suspended securely.</p> <p><i>See Page 15, Section 6.</i></p> <p>Make sure there is no sagging, bending or distortion.</p> <p>Clean or replace as required.</p>
Gas Line	<p>Check for gas leaks. <i>See Page 45, Section 9.</i></p>
Burner Observation Window	<p>Make sure it is clean and free of cracks or holes.</p> <p>Clean and replace as required.</p>

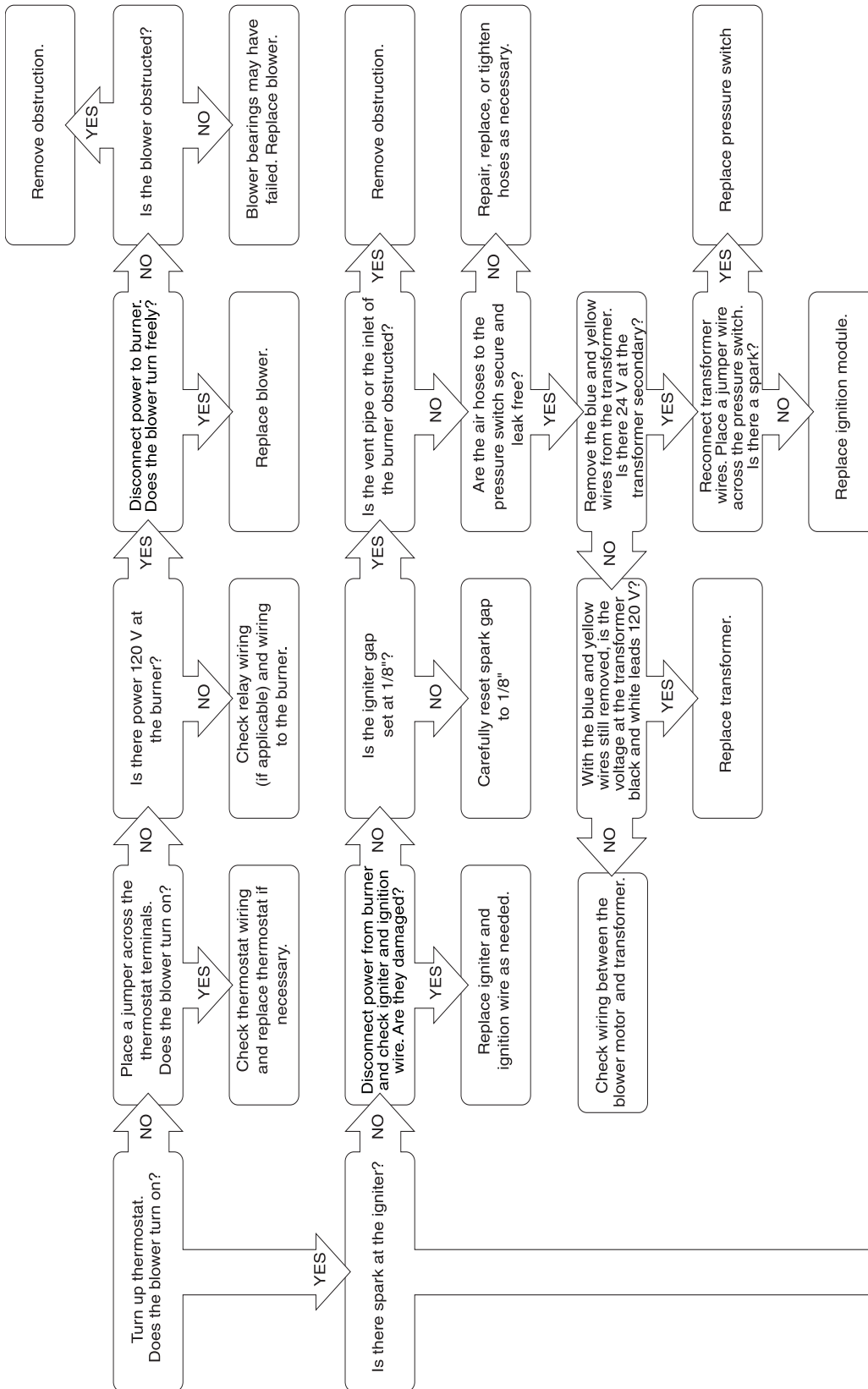
Blower Scroll, Wheel and Motor	Compressed air or a vacuum cleaner may be used to clean dust and dirt.
Burner Cup and Orifice	Clear of obstructions (even spider webs will cause problems). Carefully remove any dust and debris from the burner.
Electrode	Replace if there are cracked ceramics, excessive carbon residue, or erosion of the electrode. The electrode gap should be 1/8" (3.2 mm).
Thermostat	There should be no exposed wire or damage to the thermostat. <i>See Page 47, Section 10.</i>
Suspension Points	Make sure the heater is hanging securely. Look for signs of wear on the chain or ceiling. <i>See Page 16, Figure 15.</i>
Decorative and Protective Grille (optional)	The grille must be securely attached. Check that the side reflector extensions are installed correctly and secured in place if necessary. (Decorative grille only.) <i>See Page 34, Section 7.5 and Page 36, Section 7.6.</i> Make sure shield is installed correctly and secured in place if necessary. (Decorative grille only.) <i>See Page 35, Section 7.5.2.</i>
Lower Clearance Shield (optional)	The lower shield must be securely attached. Inspect shield support straps and lower clearance shield anchor points. <i>See Page 34, Section 7.4.</i> Make sure shield is installed correctly and secured in place if necessary. <i>See Page 34, Section 7.4.</i>
Wall Tag	If wall tag is present, make sure it is legible and accurate. Please contact Roberts-Gordon LLC or your ROBERTS GORDON® independent distributor, if you need a wall tag. <i>See Page 4, Section 2.1.</i>
Safety Labels	Product safety signs or labels should be replaced by the product user when they are no longer legible. Please contact Roberts-Gordon LLC or your ROBERTS GORDON® independent distributor to obtain replacement signs or labels. <i>See Page 2, Figure 1 through Page 3, Figure 2.</i>

SECTION 12: TROUBLESHOOTING

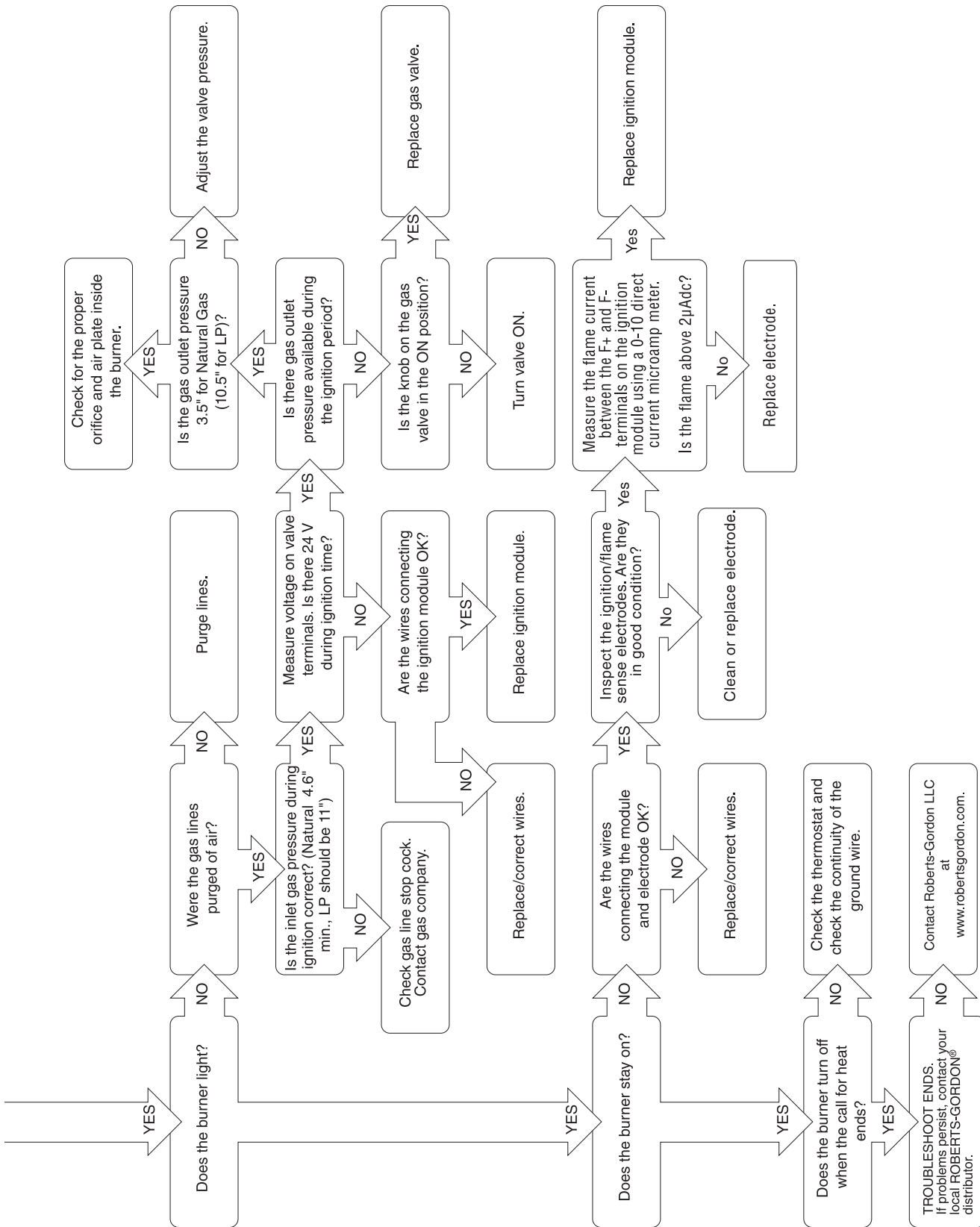
⚠ DANGER

Electrical Shock Hazard
<p>Disconnect electric before service.</p> <p>Heater must be properly earthed.</p> <p>Failure to follow these instructions can result in death or electrical shock.</p>

⚠ WARNING			
			
Fire Hazard	Explosion Hazard	Burn Hazard	Cut/Pinch Hazard
<p>Keep all flammable objects, liquids and vapors the minimum required clearances to combustibles away from heater.</p> <p>Some objects will catch fire or explode when placed close to heater.</p>	<p>Turn off gas supply to heater before service.</p>	<p>Allow heater to cool before service.</p> <p>Tubing may still be hot after operation.</p>	<p>Wear protective gear during installation, operation and service.</p> <p>Edges are sharp.</p>
Failure to follow these instructions can result in death, injury or property damage.			

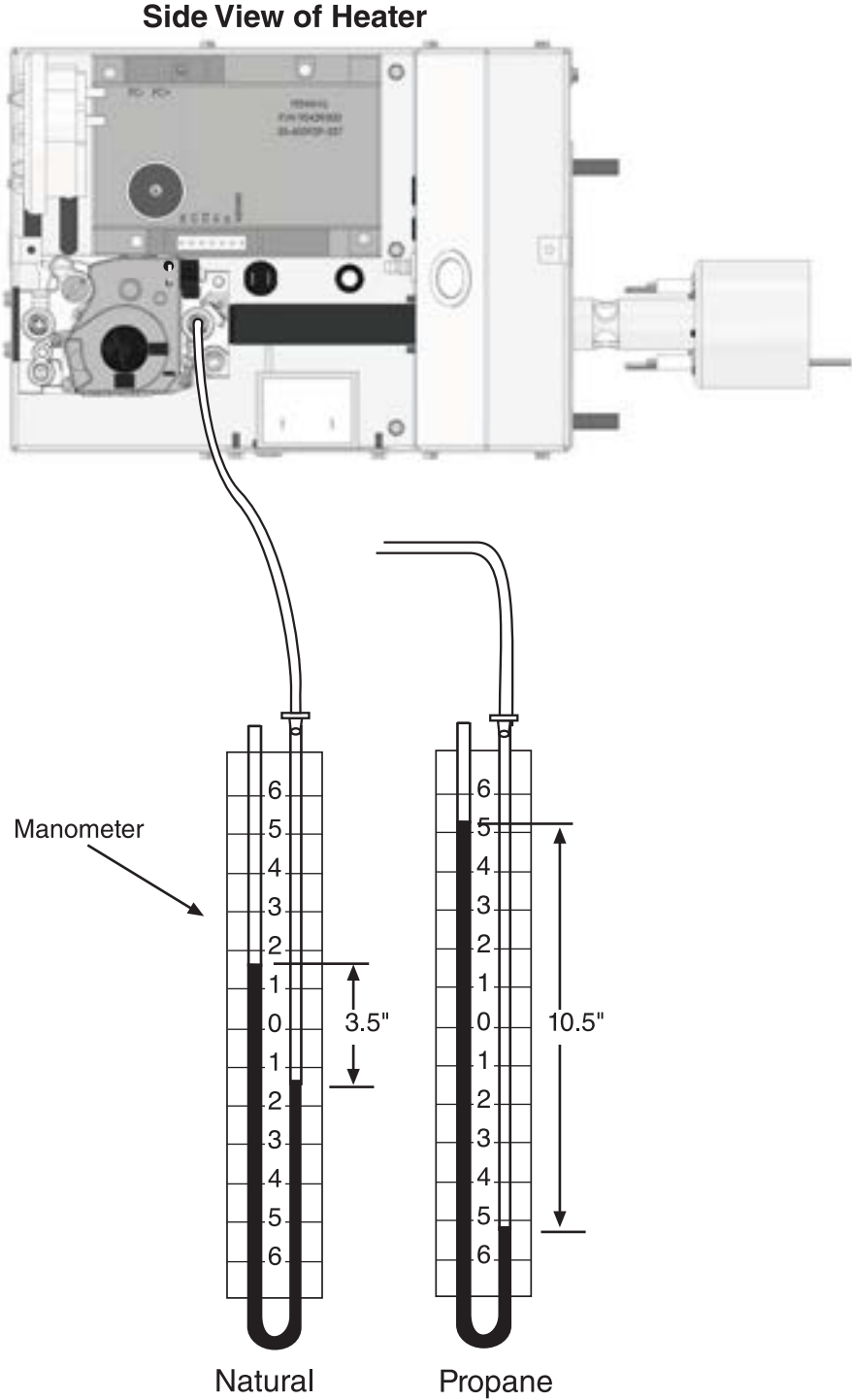
12.1 Troubleshooting Flow Chart



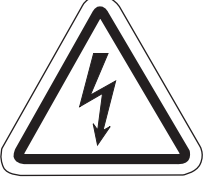



Module Diagnostic Codes:	
LED	Problem
4 second steady flash at start of cycle	Normal
Steady on	Microprocessor failure within module
Three flashes	Ignition lockout Lockout of module after 3 tries
	Solution
	Wait for valve to open
	Replace module
	Recycle unit: check for spark and valve opening and replace:if none, replace module



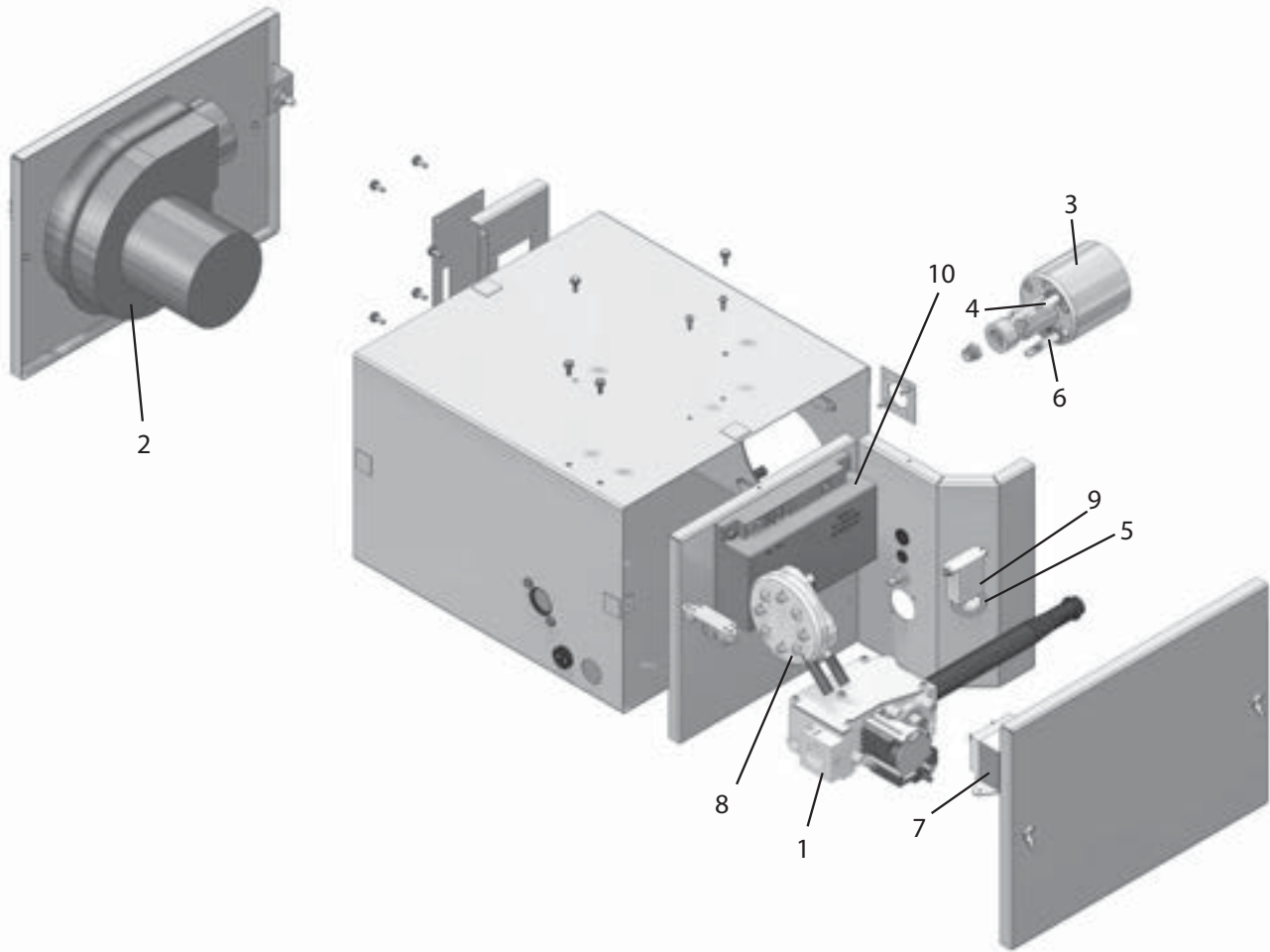
12.2 Manifold Gas Pressure Setting



SECTION 13: REPLACEMENT PARTS

⚠ DANGER	⚠ WARNING		
			
Electrical Shock Hazard	Explosion Hazard	Fire Hazard	Carbon Monoxide Hazard
<p>Use only genuine ROBERTS GORDON® replacement parts per this installation, operation and service manual.</p> <p>Failure to follow these instructions can result in death, electric shock, injury or property damage.</p>			

See warnings and important information before removing or replacing parts. After any maintenance or repair work, always test fire the heater in accordance with the start-up instructions on *Page 51, Section 11* to help ensure all safety systems are in working order before leaving the heater to operate. Minor faults may be traced by using the troubleshooting charts on *Page 54, Section 12 through Page 57, Figure 12.2*.

FIGURE 28: Burner Exploded View

	Description	Part Number
1	Gas Valve (Natural)	90032510
1	Gas Valve (LP)	90032512
	Tube Gasket (Not Shown)	92700025
	Blower Inlet Gasket (Not Shown)	03050900
2	Motor and Blower Assembly	90708600-P
	Air Adapter Collar (Not Shown)	91911700
	Combustion Air Weather Vent (Not Shown)	03700009
3	Burner Cup Assembly	03600051
4	Igniter	90439102
5	Mica Window Assembly	02553203
6	Flame Sensor	90439300
7	Transformer	90436900K
8	Pressure Switch:	
	(80, 100, 125, 150, 175)	90439803K
	(40)	90439807K
	(60)	90439805K
	LED Burner Status Light (Not Shown)	91316103
9	24 Vac Relay	90447140
10	DSI Ignition Module	90439500K

SECTION 14: GENERAL SPECIFICATIONS

14.1 Material Specifications

14.1.1 Reflectors

.024 Aluminum
(optional .024 Stainless Steel Type 304)

14.2 Heater Specifications

14.2.1 Ignition

Fully automatic, three-try, direct spark, electronic ignition control, 100% safety shut-off.

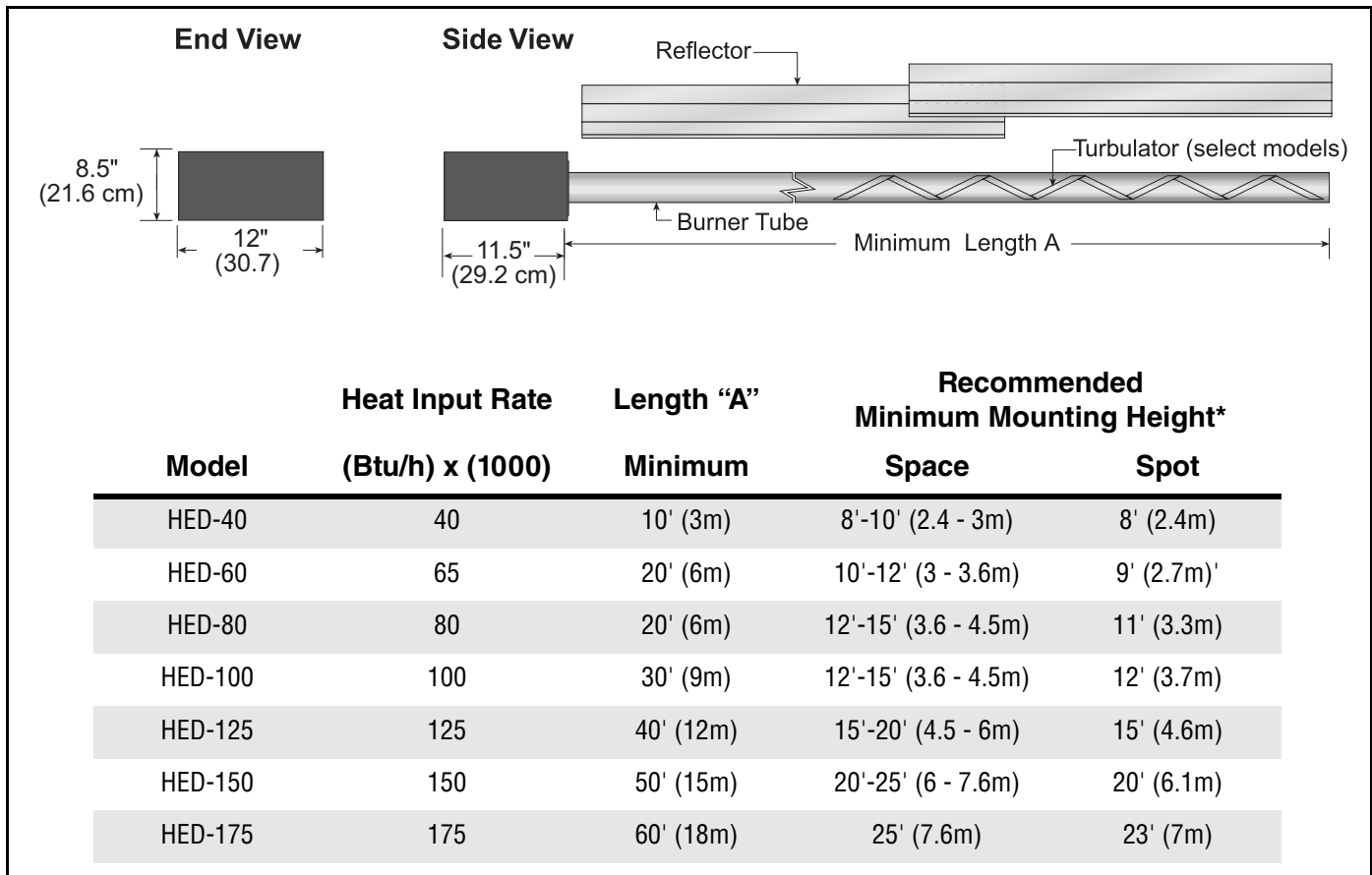
14.3 Suspension Specifications

Hang heater with materials with a minimum working load of 75 lbs (33 kg). See Page 16, Figure 15.

14.4 Controls Specifications

Time switches, thermostats, etc. can be wired into the electrical supply. External controls supplied as an optional extra.

General Specifications for the heaters are as follows:



*See Page 5, Section 3 for clearances to combustibles.

GAS PRESSURE AT MANIFOLD:

Natural Gas: 3.5" wc
LP Gas: 10.5" wc

PIPE CONNECTION:

1/2" NPT (for 40, 60, 80, 100, 125)
3/4" NPT (for 150 & 175)

DIMENSIONS:

Vent Connection Size: 4" (10 cm)
Outside Air Connection Size: 4" (10 cm)
Refer to figure above for dimensional information.

GAS INLET PRESSURE:

Natural Gas:
for 40,60,80,100,125,150 4.6" wc Minimum
for 175 5.0" wc Minimum
14.0" wc Maximum
LP Gas:
11.0" wc Minimum
14.0" wc Maximum

ELECTRICAL RATING (ALL MODELS):

120 V - 60 Hz., 1.0 A

SECTION 15: THE ROBERTS GORDON® COMPLETE™ HED WARRANTY**ROBERTS-GORDON WILL PAY FOR:**

Within 36 months from date of purchase by buyer or 42 months from date of shipment by Roberts-Gordon LLC (whichever occurs first), replacement parts will be provided free of charge for any part of the product which fails due to a manufacturing or material defect.

Roberts-Gordon LLC will require the part in question to be returned to the factory. Roberts-Gordon LLC will, at its sole discretion, repair or replace after determining the nature of the defect and disposition of part in question.

ROBERTS GORDON® Replacement Parts are warranted for a period of 12 months from date of shipment from Roberts-Gordon LLC or the remaining ROBERTS GORDON® COMPLETE™ HED warranty.

ROBERTS-GORDON WILL NOT PAY FOR:

Service trips, service calls and labor charges.

Shipment of replacement parts.

Claims where the total price of the goods have not been paid.

Damage due to:

- Improper installation, operation or maintenance.
- Misuse, abuse, neglect, or modification of the ROBERTS GORDON® COMPLETE™ HED in any way.
- Use of the ROBERTS GORDON® COMPLETE™ HED for other than its intended purpose.
- Incorrect gas or electrical supply, accident, fire, floods, acts of God, war, terrorism, or other casualty.
- Improper service, use of replacement parts or accessories not specified by Roberts-Gordon.
- Failure to install or maintain the ROBERTS GORDON® COMPLETE™ HED as directed in the Installation, Operation and Service manual.
- Relocation of the ROBERTS GORDON® COMPLETE™ HED after initial installation
- The use of the ROBERTS GORDON® COMPLETE™ HED in a corrosive atmosphere containing contaminants.
- The use of the ROBERTS GORDON® COMPLETE™ HED in the vicinity of a combustible or explosive material.
- Any defect in the ROBERTS GORDON® COMPLETE™ HED arising from a drawing, design, or specification supplied by or on behalf of the consumer.
- Damage incurred during shipment. Claim must be filed with carrier.

WARRANTY IS VOID IF:

The ROBERTS GORDON® COMPLETE™ HED is not installed by a contractor qualified in the installation and service of gas fired heating equipment.

You cannot prove original purchase date and required annual maintenance history.

The data plate and/or serial number are removed, defaced, modified or altered in any way.

The ownership of the ROBERTS GORDON® COMPLETE™ HED is moved or transferred. This warranty is nontransferable.

Roberts-Gordon is not permitted to inspect the damaged controller and/or component parts.

READ YOUR INSTALLATION, OPERATION AND SERVICE MANUAL

If you have questions about your controller, contact your installing professional. Should you need Replacement Parts or have additional questions, call or write:

Roberts-Gordon LLC

1250 William Street

P.O. Box 44

Buffalo, New York 14240-0044

Telephone: +1.716.852.4400

Fax: +1.716.852.0854

Toll Free: 800.828.7450

www.robertsgordon.com

Roberts-Gordon LLC's liability, and your exclusive remedy, under this warranty or any implied warranty (including the implied warranties of merchantability and fitness for a particular purpose) is limited to providing replacement parts during the term of this warranty. Some jurisdictions do not allow limitations on how long an implied warranty lasts, so this limitation may not apply to you. There are no rights, warranties or conditions, expressed or implied, statutory or otherwise, other than those contained in this warranty.

Roberts-Gordon LLC shall in no event be responsible for incidental or consequential damages or incur liability for damages in excess of the amount paid by you for the ROBERTS GORDON® COMPLETE™ HED.

Some jurisdictions do not allow the exclusion or limitation of incidental or consequential damages, so this limitation or exclusion may not apply to you. This warranty gives you specific legal rights, and you may also have other rights which vary from jurisdiction to jurisdiction.

Roberts-Gordon shall not be responsible for failure to perform under the terms of this warranty if caused by circumstances out of its control, including but not limited to war, fire, flood, strike, government or court orders, acts of God, terrorism, unavailability of supplies, parts or power. No person is authorized to assume for Roberts-Gordon any other warranty, obligation or liability.

LIMITATIONS ON AUTHORITY OF REPRESENTATIVES:

No representative of Roberts-Gordon LLC, other than an Executive Officer, has authority to change or extend these provisions. Changes or extensions shall be binding only if confirmed in writing by Roberts-Gordon LLC's duly authorized Executive Officer.

OWNER WARRANTY REGISTRATION CARD

Mail or Fax to:
Roberts Gordon LLC • 1250 William Street, P.O. Box 44 • Buffalo, NY 14240-0044 • Phone: 716-852-4400 • Fax: 716-852-0854
Toll Free: 800-828-7450 • www.robertsgordon.com

About the Owner:

Name: _____
Address: _____ City: _____ State: _____ Zip Code: _____
Phone: _____ Fax: _____ E-mail: _____

About the Installer:

Name: _____
Address: _____ City: _____ State: _____ Zip Code: _____
Phone: _____ Fax: _____ E-mail: _____

Purchased From (if different than installer):

Name: _____
Address: _____ City: _____ State: _____ Zip Code: _____
Phone: _____ Fax: _____ E-mail: _____

About your Heater:

Model#: _____ Serial #: _____ Fuel: _____ Installation Date: _____

Type of Installation (check one):

Automotive Manufacturing Warehouse Recreational Aircraft
 Public Building Office Retail Agricultural Other _____

Installation Code and Annual Inspections: All installation and service of ROBERTS GORDON® equipment must be performed by a contractor qualified in the installation and service of equipment sold and supplied by Roberts-Gordon LLC and conform to all requirements set forth in the ROBERTS GORDON® manuals and all applicable governmental authorities pertaining to the installation, service, operation and labeling of the equipment.

To help facilitate optimum performance and safety, Roberts-Gordon LLC recommends that a qualified contractor conduct, at a minimum, annual inspections of your ROBERTS GORDON® equipment and perform service where necessary, using only replacement parts sold and supplied by Roberts-Gordon LLC.

These products are not for residential use.

This product is intended to assist licensed professionals in the exercise of their professional judgment.

©2017 Roberts-Gordon LLC - All rights reserved. No part of this work covered by the copyrights herein may be reproduced or copied in any form or by any means – graphic, electronic, or mechanical, including photocopying, recording, taping, or information storage and retrieval systems – without written permission of Roberts Gordon LLC.
Printed in the U.S.A.

Attach this information to a wall near the ROBERTS GORDON® heater.

ROBERTS GORDON®

Infrared Heating

Read the Installation, Operation, and Service Manual thoroughly before installation, operation, or service.

Know your model number and installed configuration.

Model number and installed configuration are found on the burner and in the Installation, Operation and Service Manual.

Write the largest clearance dimensions with permanent ink according to your model number and configuration in the open spaces below.

OPERATING INSTRUCTIONS

1. STOP! Read all safety instructions on this information sheet.
2. Open the manual gas valve in the heater supply line.
3. Turn on electric power to the heater.
4. Set the thermostat to desired setting.

TO TURN OFF THE HEATER

1. Set the thermostat to off or the lowest setting.

IF THE HEATER WILL NOT OPERATE, TO ENSURE YOUR SAFETY, FOLLOW THESE INSTRUCTIONS TO SHUT DOWN YOUR HEATER

1. Set the thermostat to off or the lowest setting.
2. Turn off electric power to the heater.
3. Turn off the manual gas valve in the heater supply line.
4. Call your registered installer/contractor qualified in the installation and service of gas-fired heating equipment.

⚠ WARNING



Fire Hazard

Keep all flammable objects, liquids and vapors the minimum required clearances to combustibles away from heater.

Some objects will catch fire or explode when placed close to heater.

Failure to follow these instructions can result in death, injury or property damage.

**Maintain _____ clearance
to the side and
_____ clearance below
the heater from vehicles
and combustible materials.**

Roberts-Gordon LLC
1250 William Street
P.O. Box 44
Buffalo, NY 14240-0044 USA
Telephone: +1.716.852.4400
Fax: +1.716.852.0854
Toll Free: 800.828.7450

Installation Code and Annual Inspections:

All installation and service of ROBERTS GORDON® equipment must be performed by a contractor qualified in the installation and service of equipment sold and supplied by Roberts-Gordon and conform to all requirements set forth in the ROBERTS GORDON® manuals and all applicable governmental authorities pertaining to the installation, service, operation and labeling of the equipment. To help facilitate optimum performance and safety, Roberts-Gordon recommends that a qualified contractor conduct, at a minimum, annual inspections of your ROBERTS GORDON® equipment and perform service where necessary, using only replacement parts sold and supplied by Roberts-Gordon.

Further Information: Applications, engineering and detailed guidance on systems design, installation and equipment performance is available through ROBERTS GORDON® representatives. Please contact us for any further information you may require, including the Installation, Operation and Service Manual.

This product is not for residential use.

© 2017 Roberts-Gordon LLC

All rights reserved. No part of this work covered by the copyrights herein may be reproduced or copied in any form or by any means – graphic, electronic, or mechanical, including photocopying, recording, taping, or information storage and retrieval systems – without written permission of Roberts-Gordon LLC.

www.robertsgordon.com

P/N 91037912 Rev. K