

Vantage® II

Gas-Fired, Low Intensity Unitary Heater

Installation, Operation & Service Manual

CTH2-40
CTH2-60
CTH2-80
CTH2-100
CTH2-125
CTH2-150
CTH2-175

FOR YOUR SAFETY

If you smell gas:

1. Open windows.
2. **DO NOT** try to light any appliance.
3. **DO NOT** use electrical switches.
4. **DO NOT** use any telephone in your building.
5. Extinguish any open flame.
6. Leave the building.
7. Immediately call your local gas supplier after leaving the building. Follow the gas supplier's instructions.
8. If you cannot reach your gas supplier, call the Fire Department.

WARNING



Fire Hazard

Keep all flammable objects, liquids and vapors the minimum required clearances to combustibles away from heater.

Some objects will catch fire or explode when placed close to heater.

Failure to follow these instructions can result in death, injury or property damage.

WARNING

Improper installation, adjustment, alteration, service or maintenance can result in death, injury or property damage. Read the Installation, Operation and Service Manual thoroughly before installing or servicing this equipment.

Installation must be done by a contractor qualified in the installation and service of gas-fired heating equipment or your gas supplier.

Installer

Please take the time to read and understand these instructions prior to any installation. Installer must give a copy of this manual to the owner.

Owner

Keep this manual in a safe place in order to provide your serviceman with necessary information.



Roberts-Gordon LLC

1250 William Street
P.O. Box 44
Buffalo, New York 14240-0044
Telephone: +1.716.852.4400
Fax: +1.716.852.0854
Toll Free: 800.828.7450

www.rg-inc.com
www.radiantheaters.com

TABLE OF CONTENTS

SECTION 1: Heater Safety	1	SECTION 9: Gas Piping	40
1.1 Manpower Requirements	1	SECTION 10: Wiring	42
1.2 Safety Labels and Their Placement	1	10.1 Line Voltage Thermostat Wiring.....	42
1.3 California Proposition 65	1	10.2 Low Voltage Thermostat with One Burner	42
SECTION 2: Installer Responsibility	4	10.3 Low Voltage Thermostat Wiring with Multiple Burners.	43
2.1 Wall Tag	4	10.4 Internal Wiring.....	43
2.2 Corrosive Chemicals.....	4	10.5 Ladder Diagram	44
2.3 National Standards and Applicable Codes	4	10.6 Electrical Connection to the Burner	44
SECTION 3: Clearances to Combustibles	5	SECTION 11: Operation and Maintenance	45
3.1 Required Clearances to Combustibles.....	5	11.1 Sequence of Operation	45
SECTION 4: National Standards and Applicable Codes	9	11.2 To Shut Off Heater.....	45
4.1 Gas Codes.....	9	11.3 To Start Heater	45
4.2 Aircraft Hangars	9	11.4 Pre-Season Maintenance and Annual Inspection....	45
4.3 Public Garages	9	11.5 Maintenance Checklist	46
4.4 Electrical	9	SECTION 12: Troubleshooting	48
4.5 Venting.....	9	12.1 Honeywell SmartValve® II Troubleshooting	49
4.6 High Altitude	9	12.2 Troubleshooting Flow Chart	50
SECTION 5: Major Components	10	12.3 Manifold Gas Pressure Setting	52
5.1 Standard Parts List	11	SECTION 13: Replacement Parts	53
SECTION 6: Heater Installation	13	SECTION 14: General Specifications	56
6.1 Burner Tube Installation	18	14.1 Material Specifications.....	56
6.2 Tube Clamp Package Installation.....	18	14.2 Heater Specifications.....	56
6.3 Coupling and Tube Assembly.....	19	14.3 Suspension Specifications.....	56
6.4 Turbulator Installation	20	14.4 Controls Specifications	56
6.5 Reflector Installation	21	SECTION 15: The ROBERTS GORDON® VANTAGE® II	
6.6 Burner Installation.....	23	Warranty	57
SECTION 7: Optional Heater Accessories	24		
7.1 U-Tube Configuration.....	24		
7.2 Elbow Package Configuration.....	28		
7.3 Reflector Side Extension	30		
7.4 Lower Clearance Shield Installation	31		
7.5 Two-Foot Decorative Grille Installation	31		
7.6 Protective Grille Installation	33		
SECTION 8: Venting	34		
8.1 General Venting Requirements.....	34		
8.2 Unvented Operation.....	34		
8.3 Horizontal Venting.....	35		
8.4 Vertical Venting	35		
8.5 Unvented Operation Tube Termination	35		
8.6 Length Requirements	35		
8.7 Horizontal Ventilation 4" (10 cm) Pipe.....	35		
8.8 Vertical Ventilation 4" (10 cm) Pipe.....	36		
8.9 Common Sidewall Venting.....	36		
8.10 Common Vertical Venting	37		
8.11 Outside Combustion Air Supply	38		

© 2012 Roberts-Gordon LLC

All rights reserved. No part of this work covered by the copyrights herein may be reproduced or copied in any form or by any means - graphic, electronic, or mechanical, including photocopying, recording, taping or information storage and retrieval systems - without the written permission of Roberts-Gordon LLC.

TABLE OF FIGURES

Figure 1: Top and Bottom Panel Label Placement	2
Figure 2: Side and Back Panel Label Placement	3
Figure 3: Standard Reflector	5
Figure 4: One Side Reflector	6
Figure 5: Two Side Reflectors	6
Figure 6: 45° Tilt Reflector	6
Figure 7: U-Tube, Standard Reflector	7
Figure 8: U-Tube, 45°	7
Figure 9: U-Tube, Opposite 45° Reflector	7
Figure 10: 2-Foot Deco Grille and Protective Grille	8
Figure 11: Lower Clearance Shield*	8
Figure 12: Venting	8
Figure 13: Major Component Descriptions	10
Figure 14: Critical Hanger Placement	14
Figure 15: Linear Heater Assembly Overview	15
Figure 16: Linear Heater Layout Overview	16
Figure 17: Linear Heater Layout Overview (Continued)	17
Figure 18: U-Tube Heater Assembly Overview	25
Figure 19: U-Tube Heater Layout Overview	26
Figure 20: U-Tube Heater Layout Overview (Continued)	27
Figure 21: Reflector Joint Detail	29
Figure 22: Tube Termination	35
Figure 23: Gas Connection with Flexible Gas Hose	41

LIST OF TABLES

Table 1: Contents of the Burner Carton	11
Table 2: Contents of Core and Extension Packages	11
Table 3: Component Package Guide	12

SECTION 1: HEATER SAFETY



Your Safety is Important to Us!
This symbol is used throughout the manual to notify you of possible fire, electrical or burn hazards. Please pay special attention when reading and following the warnings in these sections.

Installation, service and annual inspection of heater must be done by a contractor qualified in the installation and service of gas-fired heating equipment.

Read this manual carefully before installation, operation or service of this equipment.

This heater is designed for heating nonresidential indoor spaces. Do not install in residential spaces. These instructions, the layout drawing, local codes and ordinances, and applicable standards that apply to gas piping, electrical wiring, venting, etc. must be thoroughly understood before proceeding with the installation.

Protective gear is to be worn during installation, operation and service. Thin sheet metal parts, including the aluminum reflector portion of the heater and the various venting components, have sharp edges. To prevent injury, the use of work gloves is recommended. The use of gloves will also prevent the transfer of body oils from the hands to the surface of the reflector.

Before installation, check that the local distribution conditions, nature of gas and pressure, and adjustment of the appliance are compatible.

This heater must be applied and operated under the general concepts of reasonable use and installed using best building practices.

This appliance is not intended for use by persons (including children) with reduced physical, sensory or mental capabilities, or lack of experience and knowledge, unless they have been given supervision or instruction concerning use of the appliance by a person responsible for their safety. Children should be supervised to ensure that they do no play with the appliance.

For additional copies of the Installation, Operation and Service Manual, please contact Roberts-Gordon LLC.

1.1 Manpower Requirements

To prevent personal injury and damage to the heater, two persons will be required for installation.

1.2 Safety Labels and Their Placement

Product safety signs or labels should be replaced by the product user when they are no longer legible. Please contact Roberts-Gordon or your ROBERTS GORDON® independent distributor to obtain replacement signs or labels. See *Page 2, Figure 1 through Page 3, Figure 2*.

1.3 California Proposition 65

In accordance with California Proposition 65 requirements, a warning label must be placed in a highly visible location on the outside of the equipment (i.e., near equipment's serial plate). See label placement drawing on *Page 2, Figure 1* for label location. Avoid placing label on areas with extreme heat, cold, corrosive chemicals or other elements. To order additional labels, please contact Roberts-Gordon LLC or your ROBERTS GORDON® independent distributor.

FIGURE 1: Top and Bottom Panel Label Placement

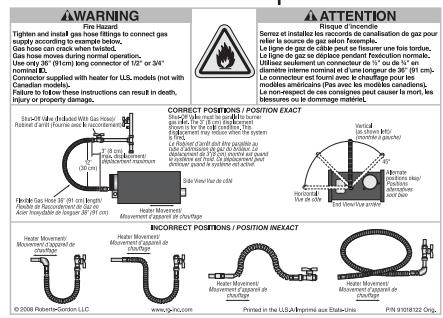
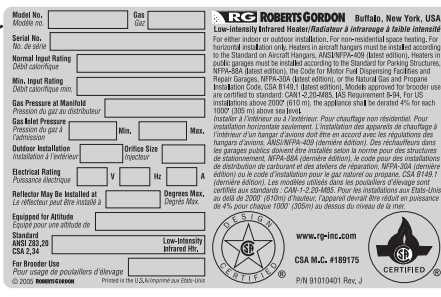
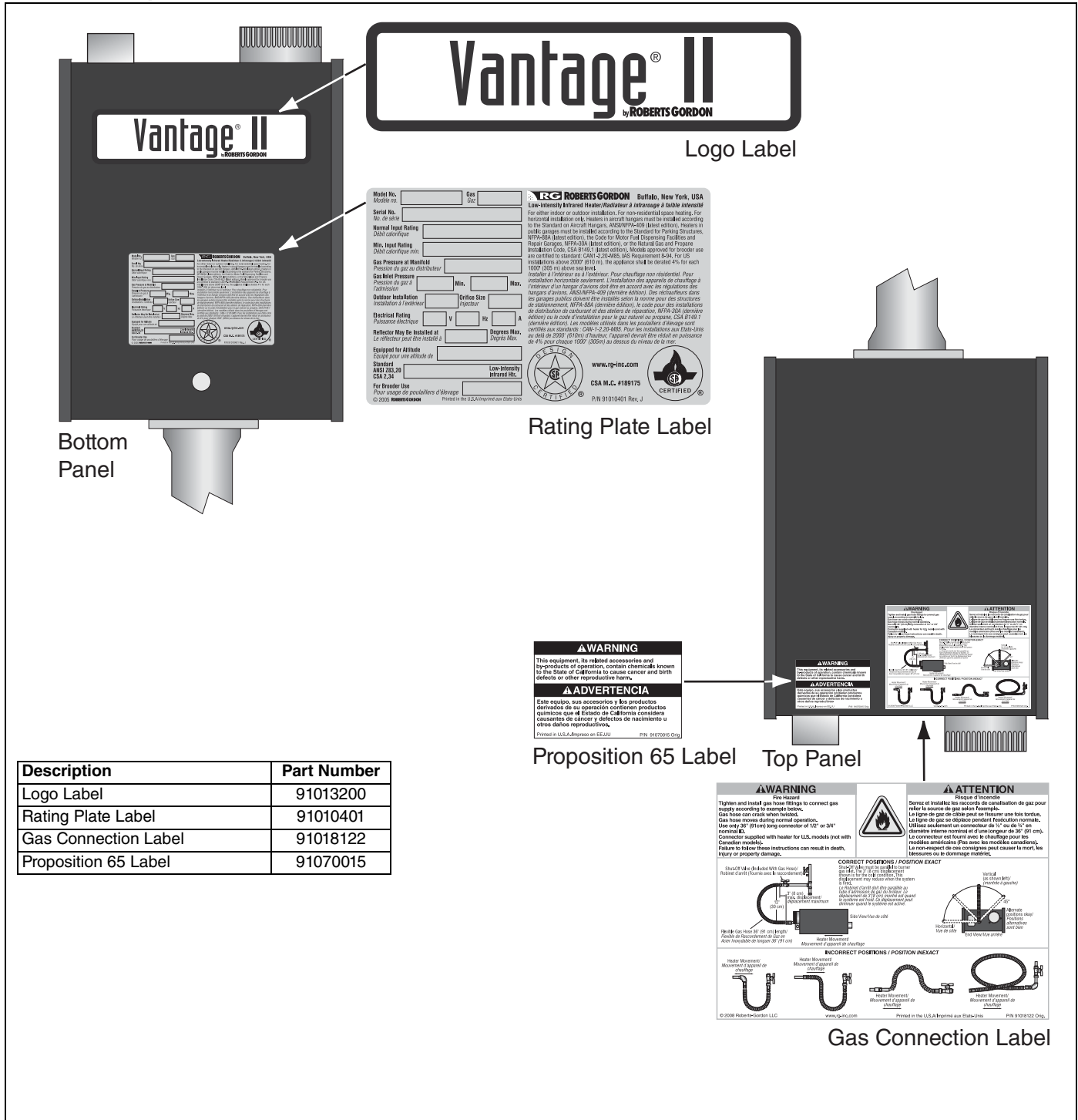
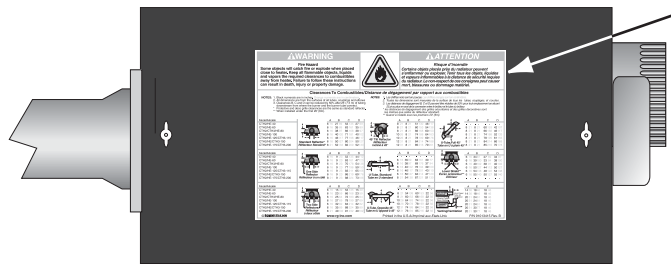


FIGURE 2: Side and Back Panel Label Placement



Control Side Panel

WARNING
Fire Hazard
Some objects will catch fire or explode when placed close to heater. Keep all flammable objects, liquids and vapors the required clearances to combustibles away from heater. Failure to follow these instructions can result in death, injury or property damage.

Clearances To Combustibles
Distances de dégagement par rapport aux combustibles

NOTES: 1. Back numbers are in inches. 2. All dimensions given from the surfaces of all tubes, couplings and elbows. 3. Clearances to combustibles are based on 150 °F (65 °C) minimum clearance from where the burner and the burner tube connect. 4. Protective and safety grille clearances are the same as standard labeling. 5. When installed under the first 20" (50cm).

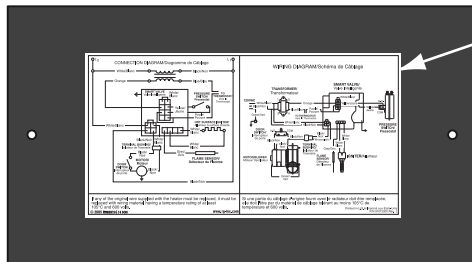
Model/Modèle	A	B	C	D
CTHNE-40	6" 157	53" 134	27" 69	27" 69
CTHNE-60	6" 152	63" 160	27" 69	27" 69
CTHNECTH3E-80	6" 152	63" 160	27" 69	27" 69
CTHNE-100	6" 152	71" 180	40" 102	40" 102
CTHNE-125CTH3-115	6" 152	77" 195	46" 117	46" 117
CTHNECTH3-150	6" 152	80" 203	50" 127	50" 127
CTHNE-175CTH3-200	6" 152	82" 208	52" 133	52" 133

ATTENTION
Risque d'incendie
Certains objets placés près du radiateur peuvent s'enflammer ou exploser. Tenir tous les objets, liquides et vapeurs inflammables à la distance de sécurité requise du radiateur. Le non-respect de ces consignes peut causer mort, blessures ou dommage matériel.

Clearances To Combustibles
Distances de dégagement par rapport aux combustibles

NOTES: 1. Les chiffres sont en pouces. 2. Toutes les dimensions sont mesurées de la surface de tous les tubes, couplages et coudes. 3. Les distances de dégagement à combustibles sont basées sur 65 °C (150 °F) minimum de la distance de sécurité requise entre le brûleur et le tube du brûleur. 4. Les distances de dégagement à combustibles des grilles de protection et des grilles de sécurité sont les mêmes que celles de l'étiquette standard. 5. Quand installé sous les premiers 20" (50cm).

Model/Modèle	A	B	C	D
CTHNE-40	6" 157	53" 134	27" 69	27" 69
CTHNE-60	6" 152	63" 160	27" 69	27" 69
CTHNECTH3E-80	6" 152	63" 160	27" 69	27" 69
CTHNE-100	6" 152	71" 180	40" 102	40" 102
CTHNE-125CTH3-115	6" 152	77" 195	46" 117	46" 117
CTHNECTH3-150	6" 152	80" 203	50" 127	50" 127
CTHNE-175CTH3-200	6" 152	82" 208	52" 133	52" 133

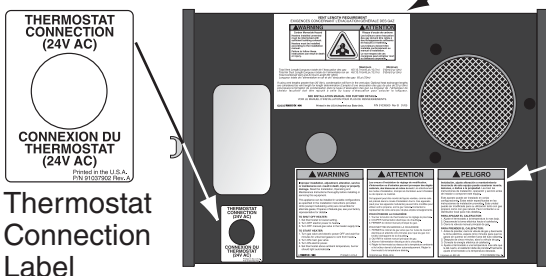


Control Side Panel (Inside)

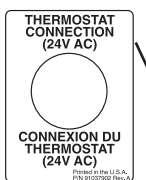
CONNECTION DIAGRAM / Diagramme de Câblage

WIRING DIAGRAM / Schéma de Câblage

Wiring Label



Back Panel



Thermostat Connection Label

VENT LENGTH REQUIREMENT
EXIGENCES CONCERNANT L'ÉVACUATION GÉNÉRALE DES GAZ

WARNING
Caution: Improper venting can result in death, injury or property damage. Read the installation, operation and maintenance instructions thoroughly before installing or servicing this equipment.

This appliance can be installed in variable configurations as specified in the installation instructions provided. Units located in residential units are compatible for alternate gas, propane or natural gas, see your factory representative for details.

TO SHUT OFF HEATER:
1. Shut thermostat to lowest setting.
2. Turn OFF electric power to heater.
3. Turn OFF manual gas valve in the heater supply line.
4. Turn OFF manual gas valve in the vent from heater.
5. Turn ON main gas valve.
6. Turn ON electric power.
7. Set thermostat above ambient temperature, burner should light automatically.

ATTENTION
Risque d'incendie ou d'explosion: Une évacuation des gaz incorrecte peut entraîner la mort, des blessures ou des dommages matériels. Lire attentivement les instructions de montage, d'entretien et de service avant d'installer ou de réparer cet appareil.

Cet appareil peut être installé en configurations variables comme spécifié dans les instructions de montage fournies. Les unités situées dans des unités résidentielles sont compatibles pour un gaz alternatif, propane ou gaz naturel, consultez votre représentant de la vente au détail pour plus de renseignements.

POUR ÉTEINDRE LA CHAUFFÈRE:
1. Tourner le bouton de thermostat sur le réglage le plus bas.
2. Couper l'alimentation électrique du chauffage.
3. FERMER le robinet de gaz manuel qui se trouve de l'électrique au chauffe-gaz.
4. FERMER le robinet de gaz manuel qui se trouve de l'électrique au chauffe-gaz.
5. Ouvrir le robinet principal du gaz.
6. Allumer l'alimentation électrique du chauffage.
7. Régler le thermostat au-dessus de la température ambiante et le brûleur devrait s'allumer automatiquement. Régler le thermostat à la température désirée.

Vent Length Label

WARNING
Improper installation, adjustment, alteration, service or maintenance can result in death, injury or property damage. Read the installation, operation and maintenance instructions thoroughly before installing or servicing this equipment.

This appliance can be installed in variable configurations as specified in the installation instructions provided. Units located in residential units are compatible for alternate gas, propane or natural gas, see your factory representative for details.

TO SHUT OFF HEATER:
1. Shut thermostat to lowest setting.
2. Turn OFF electric power to heater.
3. Turn OFF manual gas valve in the heater supply line.
4. Turn OFF manual gas valve in the vent from heater.
5. Turn ON main gas valve.
6. Turn ON electric power.
7. Set thermostat above ambient temperature, burner should light automatically.

ATTENTION
Les erreurs d'installation de réglage de modification, d'entretien ou d'entretien peuvent provoquer des décès, blessures, et dommages matériels. Lire attentivement les notices d'installation, d'opération et d'entretien avant d'installer ou de réparer cet appareil.

Cet appareil peut être monté de façon variable, comme spécifié dans les instructions de montage fournies. Les unités situées dans des unités résidentielles sont compatibles pour un gaz alternatif, propane ou gaz naturel, consultez votre représentant de la vente au détail pour plus de renseignements.

POUR ÉTEINDRE LA CHAUFFÈRE:
1. Tourner le bouton de thermostat sur le réglage le plus bas.
2. Couper l'alimentation électrique du chauffage.
3. FERMER le robinet de gaz manuel qui se trouve de l'électrique au chauffe-gaz.
4. FERMER le robinet de gaz manuel qui se trouve de l'électrique au chauffe-gaz.
5. Ouvrir le robinet principal du gaz.
6. Allumer l'alimentation électrique du chauffage.
7. Régler le thermostat au-dessus de la température ambiante et le brûleur devrait s'allumer automatiquement. Régler le thermostat à la température désirée.

PELIGRO
Instalación, ajuste, alteración o mantenimiento incorrecto de este equipo puede ocasionar muerte, lesiones, e daños a la propiedad. Lea las instrucciones de instalación, operación y servicio antes de instalar o componer este equipo.

Este aparato puede ser instalado en varias configuraciones como se especifica en las instrucciones de instalación provistas. Esta unidad puede ser modificada para ser compatible con gas alternativo como gas propano o gas natural. Consulte a su distribuidor local para más detalles.

PARA APAGAR EL CALENTADOR:
1. Apague el termostato a la temperatura más baja.
2. Desconecte la alimentación eléctrica al calentador.
3. Cierre la válvula manual principal de gas.
4. Apague el quemador, cierre la válvula de gas y desconecte la línea eléctrica, registre cómo cerrar para que sea posible su apertura en ventilar fuera del tubo del ventilador.
5. Encienda de nuevo el sistema de la válvula de gas.
6. Conecte la energía eléctrica al calentador.
7. Ajuste el termostato a una temperatura más alta que la del ambiente y el quemador debería prenderse automáticamente. Ajuste el termostato a la temperatura deseada.

Lighting Instruction Plate Label

Description	Part Number
Clearances to Combustibles Label	91013415
Wiring Label	91013300
Low Voltage Connection Label	91039700
Vent Length Label	91039500
Lighting Instruction Plate Label	91029602

SECTION 2: INSTALLER RESPONSIBILITY

The installer is responsible for the following:

- To install the heater, as well as the gas and electrical supplies, in accordance with applicable specifications and codes. Roberts-Gordon recommends the installer contact a local Building Inspector or Fire Marshal for guidance.
- To use the information given in a layout drawing and in the manual together with the cited codes and regulations to perform the installation.
- To install the heater in accordance with the clearances to combustibles.
- To furnish all needed materials not furnished as standard equipment.
- To plan location of supports.
- To provide access to burners for servicing on all sides for burner removal.
- To provide the owner with a copy of this installation, operation and service manual.
- To never use heater as support for a ladder or other access equipment and never hang or suspend anything from heater.
- To ensure there is adequate air circulation around the heater and to supply air for combustion, ventilation and distribution in accordance with local codes.
- To safely and adequately install heater using materials with a minimal working load of 75 lbs (33 kg).
- To ensure the heater is placed in a approved application.

2.1 Wall Tag

A laminated wall tag is available for the heater as a permanent reminder of the safety instructions and the importance of the required clearances to combustibles. Please contact Roberts-Gordon or your ROBERTS GORDON® independent distributor to obtain the wall tag. Affix the tag by peeling off the backing of the adhesive strips on the rear surface and position the tag on a wall near the heater (e.g. thermostat or ROBERTS GORDON® Controller).

A copy of the wall tag (P/N 91037912) is illustrated on the back cover. For an immediate solution, you may affix this copy on the wall near the heater.

Know your model number and installed configuration. Model number and installed configuration are found

on the burner and in the Installation, Operation and Service Manual. See Page 5, Figure 3 through Page 8, Figure 12. Write the proper clearance dimensions in permanent ink according to your model number and configuration in the open spaces on the tag.

2.2 Corrosive Chemicals


<p>Product Damage Hazard</p> <p>Do not use heater in area containing corrosive chemicals.</p> <p>Refer to appropriate Material Safety Data Sheets (MSDS).</p> <p>Failure to follow these instructions can result in product damage.</p>

Roberts-Gordon cannot be responsible for ensuring that all appropriate safety measures are undertaken prior to installation; this is entirely the responsibility of the installer. It is essential that the contractor, the sub-contractor, or the owner identifies the presence of combustible materials, corrosive chemicals or halogenated hydrocarbons* anywhere in the premises.

** **Halogenated Hydrocarbons** are a family of chemical compounds characterized by the presence of halogen elements (fluorine, chlorine, bromine, etc.). These compounds are frequently used in refrigerants, cleaning agents, solvents, etc. If these compounds enter the air supply of the burner, the life span of the heater components will be greatly reduced. An outside air supply must be provided to the burners whenever the presence of these compounds is suspected. Warranty will be invalid if the heater is exposed to halogenated hydrocarbons.*

2.3 National Standards and Applicable Codes

All appliances must be installed in accordance with the latest revision of the applicable standards and national codes. This refers also to the electric, gas and venting installation. Note: Additional standards for installations in Public Garages, Aircraft Hangars, etc. may be applicable.

SECTION 3: CLEARANCES TO COMBUSTIBLES

3.1 Required Clearances to Combustibles

Clearances are the required distances that combustible objects must be away from the heater to prevent serious fire hazards. Combustibles are materials that may catch on fire and include common items such as wood, paper, rubber, fabric, etc. **Maintain clearances to combustibles at all times for safety.**

Clearances for all heater models are located on the burner of the heater and *on Page 5, Figure 3 through Page 8, Figure 12* in this manual. Check the clearances on each burner for the model heater being installed to make sure the product is suitable for your application and the clearances are maintained. Read and follow the safety guidelines below:

- Keep gasoline or other combustible materials including flammable objects, liquids, dust or vapors away from this heater or any other appliance.
- The stated clearances to combustibles represents a surface temperature of 90° F (50°C) above room temperature. Building materials with a low heat tolerance (such as plastics, vinyl siding, canvas, triply, etc) may be subject to degradation at lower temperatures. It is the installer's responsibility to assure that adjacent materials are protected from degradation.
- Maintain clearances from heat sensitive equipment and workstations.
- Maintain clearances from vehicles parked below the heater.
- Maintain clearances from swinging and overhead doors, overhead cranes, vehicle lifts, partitions, storage racks, hoists, building construction, etc.

NOTE: 1. All dimensions are from the surfaces of all tubes, couplings and elbows.
2. Clearances B, C and D can be reduced by 50% after 25' (7.5 m) of tubing downstream from where the burner and burner tube connect.

⚠ WARNING



Fire Hazard

Keep all flammable objects, liquids and vapors the minimum required clearances to combustibles away from heater.

Some objects will catch fire or explode when placed close to heater.

Failure to follow these instructions can result in death, injury or property damage.

- In locations used for the storage of combustible materials, signs must be posted to specify the maximum permissible stacking height to maintain required clearances from the heater to the combustibles. Signs must be posted adjacent to the heater thermostat. In the absence of a thermostat, signs must be posted in a conspicuous location.
- Consult local Fire Marshal, Fire Insurance Carrier or other authorities for approval of proposed installation when there is a possibility of exposure to combustible airborne materials or vapors.
- Hang heater in accordance to the minimum suspension requirements *on Page 14, Figure 14*.
- If the radiant tubes must pass through the building structure, be sure that adequate sleeving and fire stop is installed to prevent scorching and/or fire hazard.

FIGURE 3: STANDARD REFLECTOR

	Model	(inches)				(centimeters)			
		A	B	C	D	A	B	C	D
	CTH2-40	6	27	53	27	16	69	135	69
	CTH2-60	6	35	63	35	16	89	161	89
	CTH2-80	6	38	66	38	16	97	168	97
	CTH2-100	6	40	71	40	16	102	181	102
	CTH2-125	6	46	77	46	16	117	196	117
	CTH2-150	6	50	80	50	16	127	204	127
	CTH2-175	8	52	82	52	21	133	209	133

NOTE: 1. All dimensions are from the surfaces of all tubes, couplings and elbows.
 2. Clearances B, C and D can be reduced by 50% after 25' (7.5 m) of tubing downstream from where the burner and burner tube connect.

FIGURE 4: ONE SIDE REFLECTOR

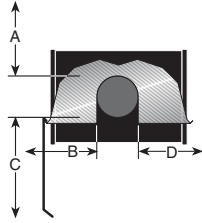
	Model	(inches)				(centimeters)			
		A	B	C	D	A	B	C	D
	CTH2-40	6	9	53	44	16	23	135	112
	CTH2-60	6	9	63	47	16	23	161	120
	CTH2-80	6	9	70	54	16	23	178	138
	CTH2-100	6	9	77	59	16	23	196	150
	CTH2-125	6	9	83	65	16	23	211	166
	CTH2-150	6	9	86	69	16	23	219	176
	CTH2-175	8	9	88	73	21	23	224	186

FIGURE 5: TWO SIDE REFLECTORS

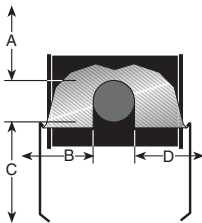
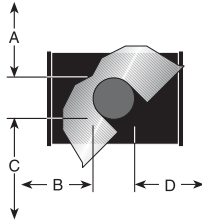
	Model	(inches)				(centimeters)			
		A	B	C	D	A	B	C	D
	CTH2-40	6	15	53	15	16	39	135	39
	CTH2-60	6	23	66	23	16	59	168	59
	CTH2-80	6	25	72	25	16	64	183	64
	CTH2-100	6	27	78	27	16	69	199	69
	CTH2-125	6	32	84	32	16	82	214	82
	CTH2-150	6	35	88	35	16	89	224	89
	CTH2-175	8	40	91	40	21	102	232	102

FIGURE 6: 45° TILT REFLECTOR

	Model	(inches)				(centimeters)			
		A	B	C	D	A	B	C	D
	CTH2-40	8	8	51	46	21	21	130	117
	CTH2-60	8	8	60	54	21	21	153	138
	CTH2-80	8	8	66	60	21	21	168	153
	CTH2-100	10	8	74	64	26	21	188	163
	CTH2-125	10	8	78	69	26	21	199	176
	CTH2-150	12	8	84	74	31	21	214	188
	CTH2-175	12	8	85	79	31	21	216	201

- NOTE:** 1. All dimensions are from the surfaces of all tubes, couplings and elbows.
 2. Clearances B, C and D can be reduced by 50% after 25' (7.5 m) of tubing downstream from where the burner and burner tube connect.

FIGURE 7: U-TUBE, STANDARD REFLECTOR

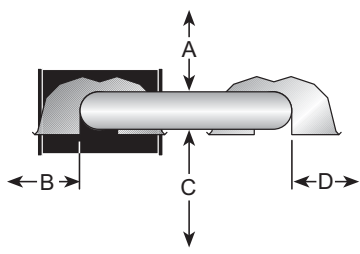
	Model	(inches)				(centimeters)			
		A	B	C	D	A	B	C	D
	CTH2-40	- UNAPPROVED -				- UNAPPROVED -			
	CTH2-60	6	35	63	30	16	89	161	77
	CTH2-80	6	38	69	37	16	97	176	94
	CTH2-100	6	40	76	39	16	102	194	100
	CTH2-125	6	46	79	43	16	117	201	110
	CTH2-150	6	50	84	47	16	127	214	120
	CTH2-175	8	54	87	51	21	138	221	130

FIGURE 8: U-TUBE, 45°

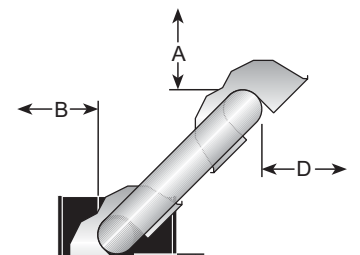
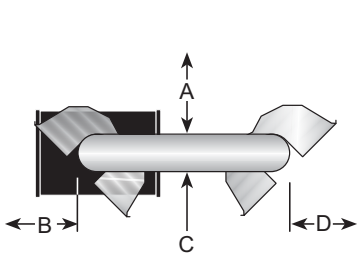
	Model	(inches)				(centimeters)			
		A	B	C	D	A	B	C	D
	CTH2-40	- UNAPPROVED -				- UNAPPROVED -			
	CTH2-60	8	8	60	42	21	21	153	107
	CTH2-80	8	8	66	46	21	21	168	117
	CTH2-100	8	8	74	52	21	21	188	133
	CTH2-125	8	8	78	61	21	21	199	155
	CTH2-150	8	8	84	66	21	21	214	168
	CTH2-175	8	8	85	70	21	21	216	178

FIGURE 9: U-TUBE, OPPOSITE 45° REFLECTOR

	Model	(inches)				(centimeters)			
		A	B	C	D	A	B	C	D
	CTH2-40	- UNAPPROVED -				- UNAPPROVED -			
	CTH2-60	8	54	60	22	21	138	153	56
	CTH2-80	8	60	66	22	21	153	168	56
	CTH2-100	10	64	74	22	26	163	188	56
	CTH2-125	10	70	78	22	26	178	199	56
	CTH2-150	12	74	84	22	31	188	214	56
	CTH2-175	12	76	85	22	31	194	216	56

NOTE: 1. All dimensions are from the surfaces of all tubes, couplings and elbows.
 2. Clearances B, C and D can be reduced by 50% after 25' (7.5 m) of tubing downstream from where the burner and burner tube connect.

FIGURE 10: 2-FOOT DECO GRILLE AND PROTECTIVE GRILLE

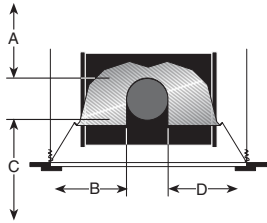
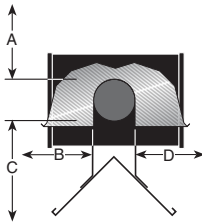
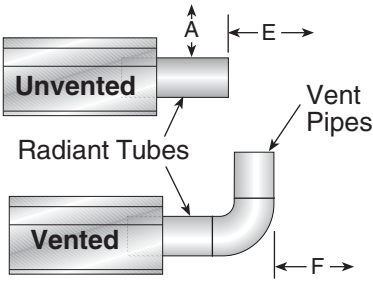
	Model	(inches)				(centimeters)			
		A	B	C	D	A	B	C	D
	CTH2-40	6	27	53	27	16	69	135	69
	CTH2-60	6	35	63	35	16	89	161	89
	CTH2-80	6	38	66	38	16	97	168	97
	CTH2-100	6	40	71	40	16	102	181	102
	CTH2-125	6	46	77	46	16	117	196	117
	CTH2-150	6	50	80	50	16	127	204	127
	CTH2-175	8	52	82	52	21	133	209	133

FIGURE 11: LOWER CLEARANCE SHIELD*

	Model	(inches)				(centimeters)			
		A	B	C	D	A	B	C	D
	CTH2-40	6	34	27	34	16	87	69	87
	CTH2-60	6	39	33	39	16	100	84	100
	CTH2-80	6	40	38	40	16	102	97	102
	CTH2-100	6	50	44	50	16	127	112	127
	CTH2-125	6	54	48	54	16	138	122	138
	CTH2-150	6	55	50	55	16	140	127	140
	CTH2-175	- UNAPPROVED -				- UNAPPROVED -			

*When installed in the first 10' (3 m).

FIGURE 12: VENTING

	Model	(inches)			(centimeters)		
		A	E	F	A	E	F
	CTH2-40	14	18	18	36	46	46
	CTH2-60	14	18	18	36	46	46
	CTH2-80	20	24	18	51	61	46
	CTH2-100	20	24	18	51	61	46
	CTH2-125	20	24	18	51	61	46
	CTH2-150	20	30	18	51	77	46
	CTH2-175	20	30	18	51	77	46

SECTION 4: NATIONAL STANDARDS AND APPLICABLE CODES

4.1 Gas Codes

The type of gas appearing on the nameplate must be the type of gas used. Installation must comply with national and local codes and requirements of the local gas company.

United States: Refer to National Fuel Gas Code NFPA 54/ANSI Z223.1 - latest revision.

Canada: Refer to Natural Gas and Propane Installation Code CSA B149.1 - latest revision.

4.2 Aircraft Hangars

Installation in aircraft hangars must be in accordance with the following codes:

United States: Refer to Standard for Aircraft Hangars, NFPA 409 - latest revision.

Canada: Refer to Natural Gas and Propane Installation Code CSA B149.1 - latest revision.

In aircraft storage and servicing areas, heaters shall be installed at least 10' (3 m) above the upper surface of wings or of engine enclosures of the highest aircraft which may be housed in the hangar. The measurement shall be made from the wing or engine enclosure (whichever is higher from the floor) to the bottom of the heater.

- In shops, offices and other sections of aircraft hangars communicating with aircraft storage or servicing areas, heaters shall be installed not less than 8' (2.4 m) above the floor.
- Suspended or elevated heaters shall be so located in all spaces of aircraft hangars that they shall not be subject to injury by aircraft, cranes, movable scaffolding or other objects. Provisions shall be made to assure accessibility to suspended heaters for recurrent maintenance purposes.

4.3 Public Garages

Installation in garages must be in accordance with the following codes:

United States: Refer to Standard for Parking Structures NFPA 88A - latest revision or the Code for Motor Fuel Dispensing Facilities and Repair Garages, NFPA 30A - latest revision.
Canada: Refer to Natural Gas and Propane Installation Code CSA B149.1 - latest revision.

- Heaters must not be installed less than 8' (2.4 m) above the floor. Minimum clearances to combustibles must be maintained from vehicles parked below the heater.
- When installed over hoists, minimum clearances to combustibles must be maintained from the upper most point of objects on the hoist.

4.4 Electrical

The heater must be electrically grounded in accordance with the following codes:

United States: Refer to National Electrical Code®, NFPA 70 - latest revision. Wiring must conform to the most current National Electrical Code®, local ordinances and any special diagrams furnished.

Canada: Refer to Canadian Electrical Code, CSA C22.1 Part 1 - latest revision.

4.5 Venting

The venting must be installed in accordance with the requirements within this manual and the following codes:

United States: Refer to National Fuel Gas Code NFPA 54/ANSI Z223.1 - latest revision.

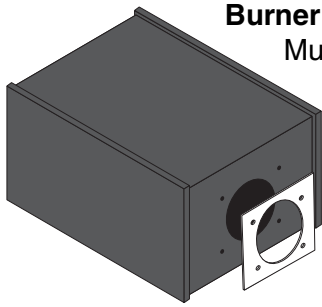
Canada: Refer to Natural Gas and Propane Installation Code CSA B149.1 - latest revision.

4.6 High Altitude

These heaters are approved for installations up to 2000' (610 m)(US), 4500' (1370 m)(Canada) without modification. Consult factory if US installation is above 2000' (610 m) or Canadian installation is above 4500' (1370 m).

SECTION 5: MAJOR COMPONENTS

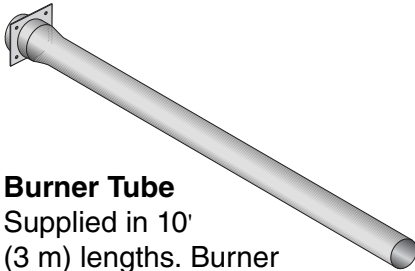
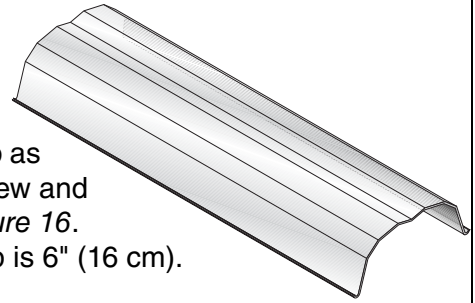
FIGURE 13: Major Component Descriptions



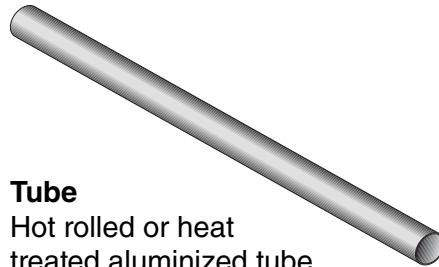
Burner with Tube Gasket
 Must be installed with the flame observation window facing down.

Reflector (Aluminum or Stainless Steel)

Alternate overlap as shown on overview and on Page 16, Figure 16. Minimum overlap is 6" (16 cm).



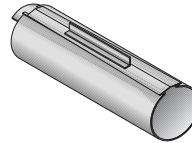
Burner Tube
 Supplied in 10' (3 m) lengths. Burner tube is always the first tube after the burner.



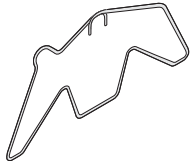
Tube
 Hot rolled or heat treated aluminized tube supplied in 10' (3 m) lengths.



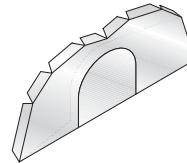
Tube and Reflector Hanger with Clamp Package
 Position this hanger no more than 4" (10 cm) away from the burner.



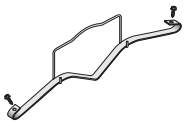
Coupling Assembly with Lock



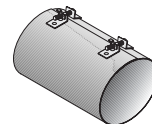
Tube and Reflector Hanger
 Suspend system from these hangers.



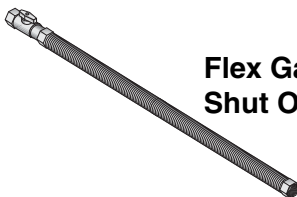
Reflector End Cap
 Punch out center section to accommodate tube.



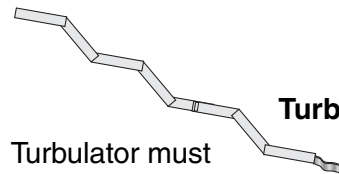
Reflector Support Strap & Wire Form



Vent Adapter



Flex Gas Line with Shut Off Cock



Turbulator

Turbulator must be installed in the last standard section of tube. Turbulator is not required on the CTH2-125/150/175. For installation see Page 20, Section 6.4.

5.1 Standard Parts List

Table 1: Contents of the Burner Carton

Part No.	Description	CTH2-40	CTH2-60	CTH2-80	CTH2-100	CTH2-125	CTH2-150	CTH2-175
030XXXXX	Burner Assembly (Rate and Fuel Varies)	1	1	1	1	1	1	1
02568200	Gasket (Burner to Burner Tube)	1	1	1	1	1	1	1
130100NA	Installation, Operation and Service Manual	1	1	1	1	1	1	1
94273914	Hex Head Bolts 5/16-18 Rolok	4	4	4	4	4	4	4
96411600	Split Lock washer	4	4	4	4	4	4	4
91201708	Pipe Nipple (Black) 1/2" NPT x 4"	1	1	1	1	1	1	1
91317300	1/4" Quick Disconnect (Wire)	2	2	2	2	2	2	2
*91412200	Flexible Stainless Steel Gas Hose - 1/2" NPT (US Models Only)	1	1	1	1	1		
*91412204	Flexible Stainless Steel Gas Hose - 3/4" NPT (US Models Only)	-	-	-	-	-	1	1
03051503	Turbulator Adapter	1	1	1	1	-	-	-
03051504	Turbulator Aluminized Steel	2	4	4	2	-	-	-
03051505	Turbulator Stainless Steel	1	-	-	-	-	-	-

*Canadian Models: Rubber (Type 1) Gas Hoses available as an accessory. See Page 40, Section 9.

Table 2: Contents of Core and Extension Packages

Part No.	Description	Core Packages								Extension Packages							
		Hot Rolled			Aluminized				Hot Rolled				Aluminized				
		20' (6m)	30' (9m)	40' (12m)	10' (3m)	20' (6m)	30' (9m)	40' (12m)	10' (3m)	20' (6m)	30' (9m)	40' (12m)	10' (3m)	20' (6m)	30' (9m)	40' (12m)	
91409300	Tube, Hot Rolled Steel, 10' (3 m)	1	2	3	-	-	-	-	1	2	3	4	-	-	-	-	
91409408	Tube, HT Aluminized, 10' (3 m)	-	-	-	-	1	2	3	-	-	-	-	1	2	3	4	
03051101	Burner Tube, ALUMI-THERM® Steel, 10' (3 m)	-	1	1	-	-	1	1	-	-	-	-	-	-	-	-	
03051601	Burner Tube, HT ALUMI-THERM® Steel, 10' (3 m)	1	-	-	1	1	-	-	-	-	-	-	-	-	-	-	
01312700	Coupling Assembly	1	2	3	-	1	2	3	1	2	3	4	1	2	3	4	
02750303	Standard Reflector, 8' (3.5 m)	3	4	6	2	3	4	6	2	3	4	6	2	3	4	6	
02750800	End Cap	2	2	2	2	2	2	2	-	-	-	-	-	-	-	-	
03090100	Tube and Reflector Hanger	3	4	5	2	3	4	5	1	2	3	4	1	2	3	4	
91907302	S-Hook	3	4	5	2	3	4	5	1	2	3	4	1	2	3	4	
03050010	Reflector Support Package (Strap, Wire Form, Screws)	2	3	5	1	2	3	5	2	3	4	6	2	3	4	6	
91107720	U-Clip Package	1	1	1	1	1	1	1	1	1	1	1	1	1	1	1	
90502700	Vent Adapter	1	1	1	1	1	1	1	-	-	-	-	-	-	-	-	
01318901	Tube Clamp Package	1	1	1	1	1	1	1	-	-	-	-	-	-	-	-	
	Part Number	CP20HRS	CP30HRS	CP40HRS	CP10ALUM	CP20ALUM	CP30ALUM	CP40ALUM	EXP10HRS	EXP20HRS	EXP30HRS	EXP40HRS	EXP10ALUM	EXP20ALUM	EXP30ALUM	EXP40ALUM	

Table 3: Component Package Guide

Model	Tubing Length	Core Packages	
	Minimum	Standard	Aluminized
CTH2-40	10' (3m)	-	CP10ALUM
CTH2-60	20' (6m)	CP20HRS	CP20ALUM
CTH2-80	20' (6m)	CP20HRS	CP20ALUM
CTH2-100	30' (9m)	CP30HRS	CP30ALUM
CTH2-125	40' (12m)	CP40HRS	CP40ALUM
CTH2-150	50' (15m)	CP30HRS + EXP20HRS	CP30ALUM + EXP20ALUM
CTH2-175	60' (18m)	CP30HRS + EXP30HRS	CP30ALUM + EXP30ALUM

Additional tubing length may be added to heater. Tubing must be heat-treated, aluminized or porcelain coated. Any additional tubing lengths are considered as vent length for length determination. Maximum venting length for minimum heater length is 45' (13.7 m) total.

SECTION 6: HEATER INSTALLATION**⚠ WARNING****Severe Injury Hazard**

Secure burner to burner tube with bolts and lockwashers.

Hang heater with materials with a minimum working load of 75 lbs (33 kg).

Failure to follow these instructions can result in death, injury or property damage.

Typical installation configurations are shown in *Figure 14*.

Expansion and contraction of the tube dictates that the minimum suspension lengths in the table on *Page 14, Figure 14* be maintained.

⚠ WARNING**Cut/Pinch Hazard**

Wear protective gear during installation, operation and service.

Edges are sharp.

Failure to follow these instructions can result in injury.

To ensure your safety, and comply with the terms of the warranty, all units must be installed in accordance with these instructions.

The gas or the electrical supply lines must not be used to support the heater.

Do not locate the gas or electric supply lines directly over the path of the flue products from the heater.

The heater must be installed in a location that is readily accessible for servicing.

The heaters must be installed in accordance with clearances to combustibles as indicated on the rating plate and in this instruction manual.

The minimum and maximum gas inlet pressures must be maintained as indicated on the rating plate.

FIGURE 14: Critical Hanger Placement

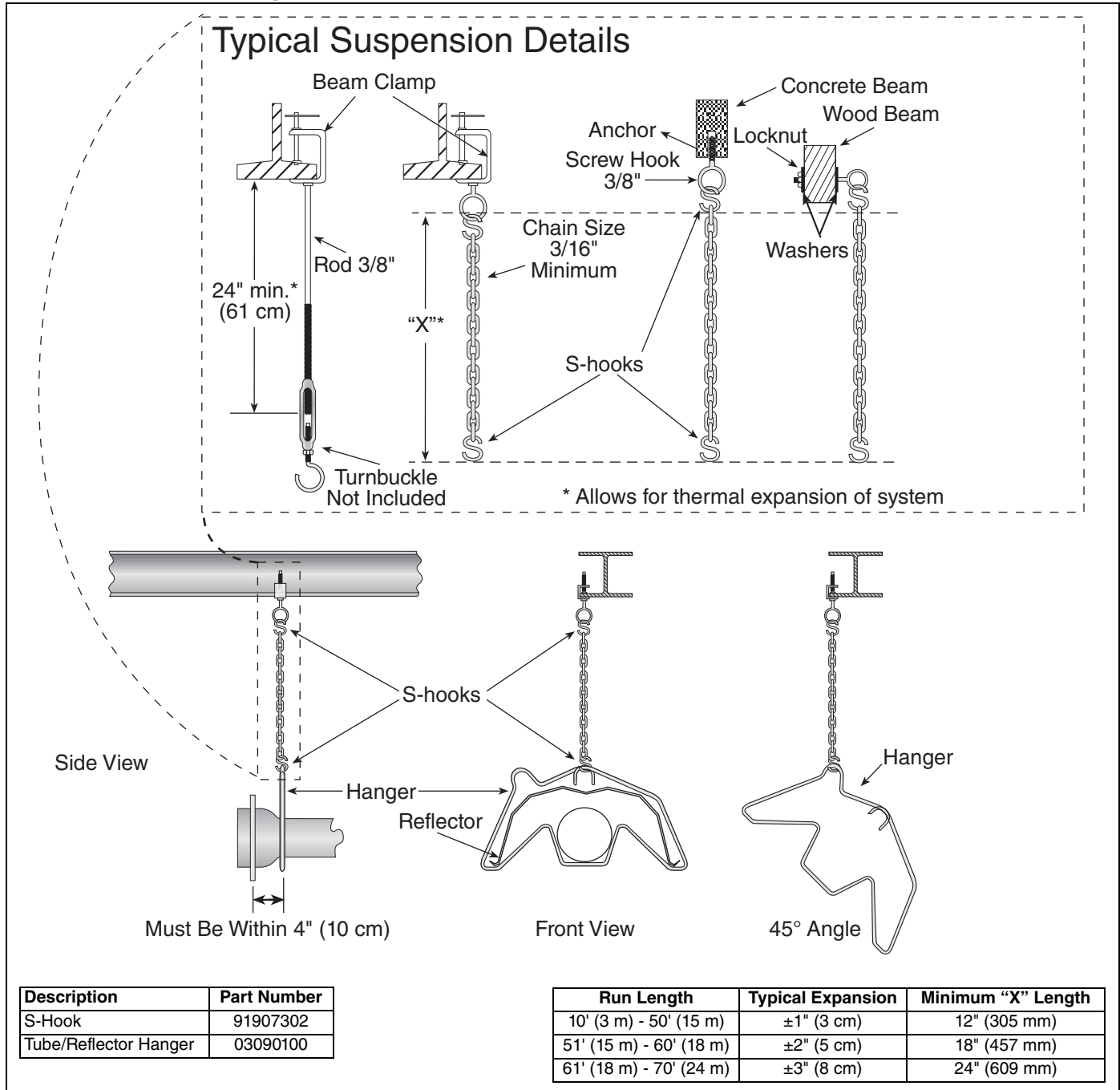


FIGURE 15: Linear Heater Assembly Overview

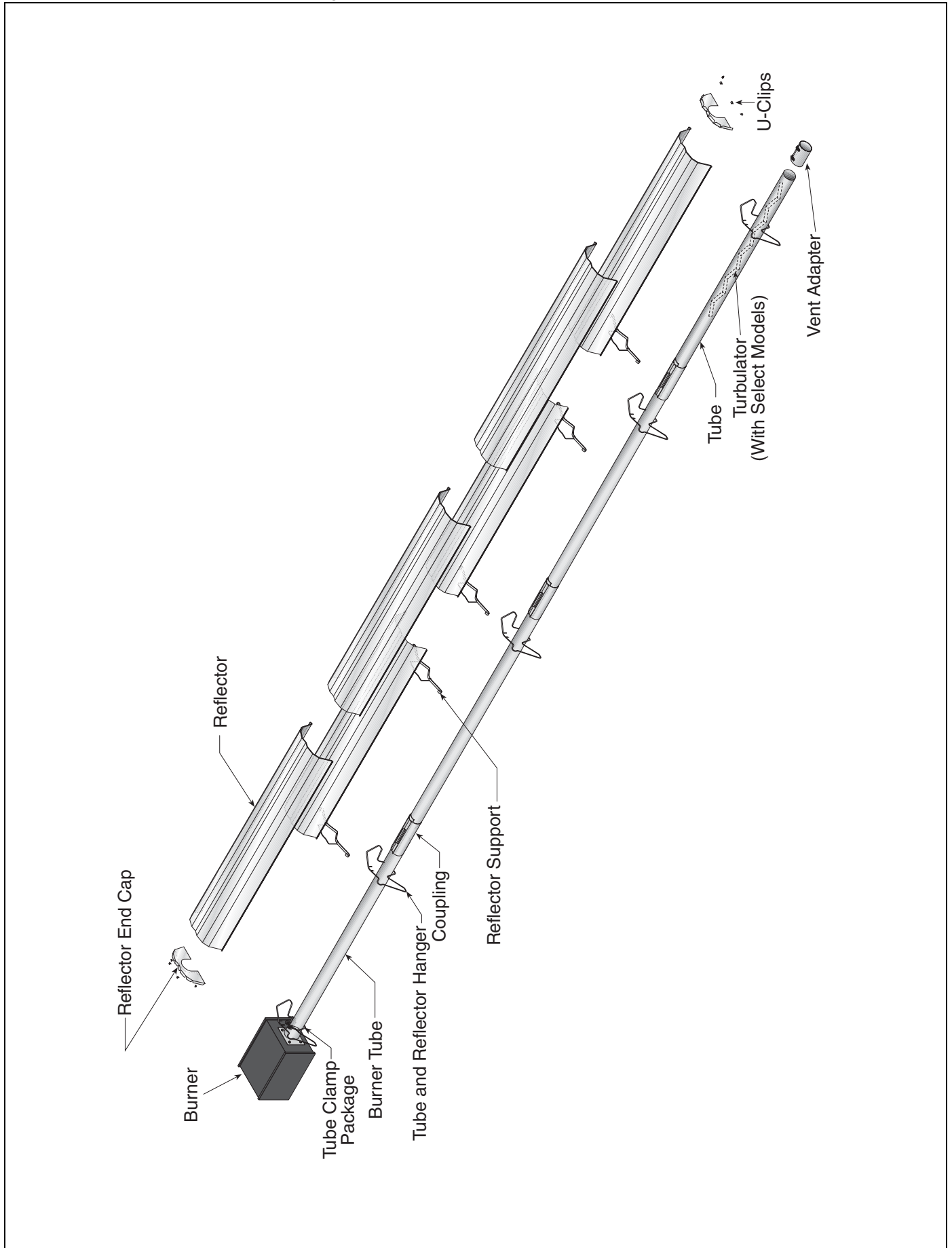








FIGURE 16: Linear Heater Layout Overview

LEGEND	
	Burner
	Reflector
	Tube
	Tube/Reflector Hanger
	Coupling Assembly
	Vent Adapter
<p>a = 14" (36 cm) reflector width (not shown)</p> <p>b = 2" (5 cm) end cap to burner</p> <p>c = 2" (5 cm) end cap to hanger</p> <p>d = 7'6" (229 cm) distance first hanger</p> <p>e = 10' (305 cm) distance between hangers</p> <p>f = 9.5" (24 cm) burner height</p> <p>g = 17.5" (44 cm) burner length</p>	

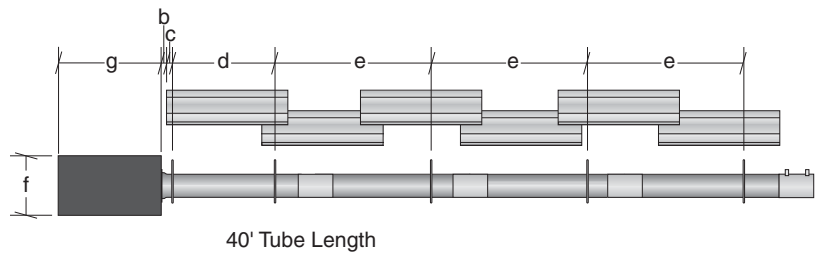
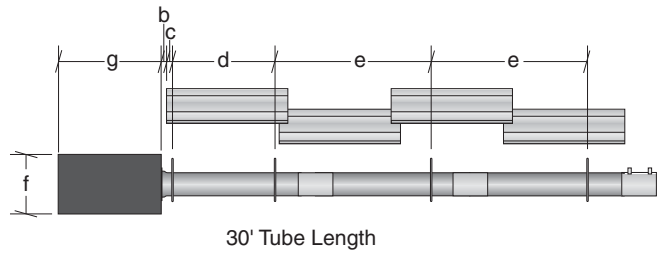
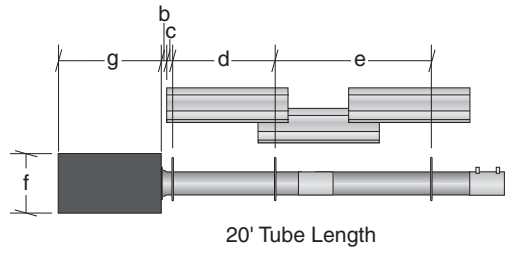
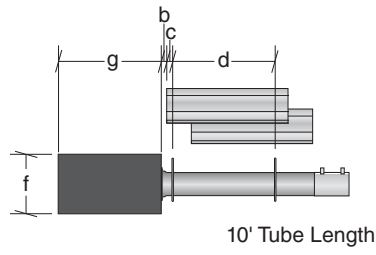
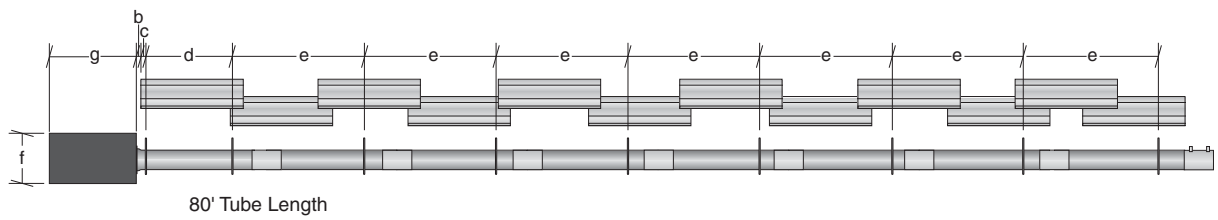
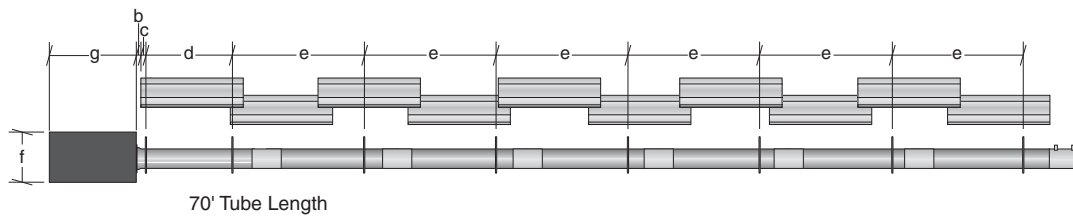
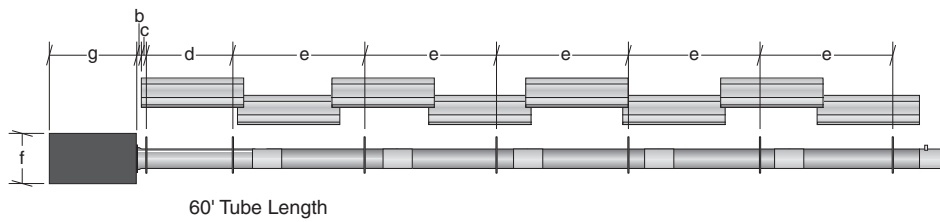
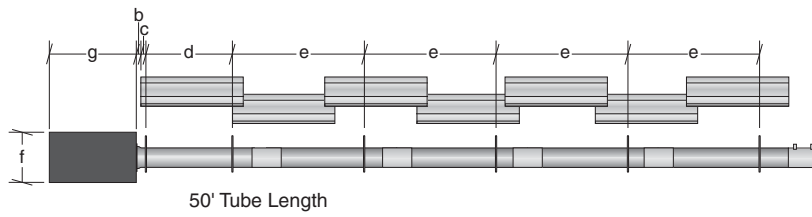


FIGURE 17: Linear Heater Layout Overview (Continued)



Step 6.1 Burner Tube Installation

NOTE:
 Tubing requires a downward slope of 1/2" (1.3 cm) per 20' (6 m) away from burner.

Offset mounting hole must be to the top.

Weld seam must be to the bottom of the tube.

7' 6" ± 1"
 (229 cm ± 25 cm)

Description	Part Number
Burner Tube	03051XXX
S-Hook	91907302
Tube/Reflector Hanger	03090100

Step 6.2 Tube Clamp Package Installation

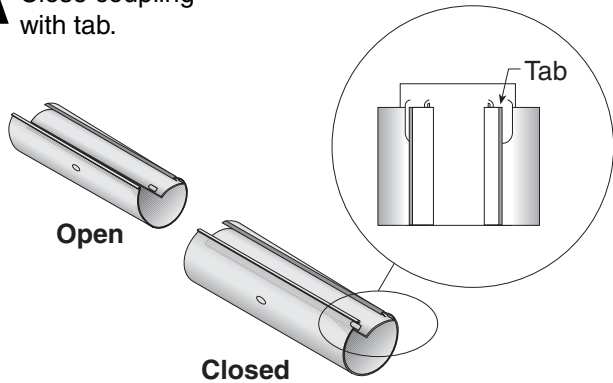
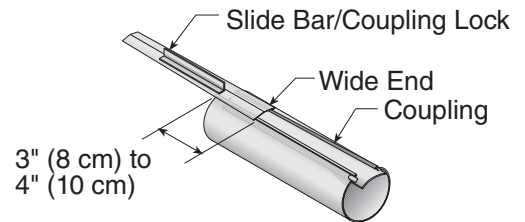
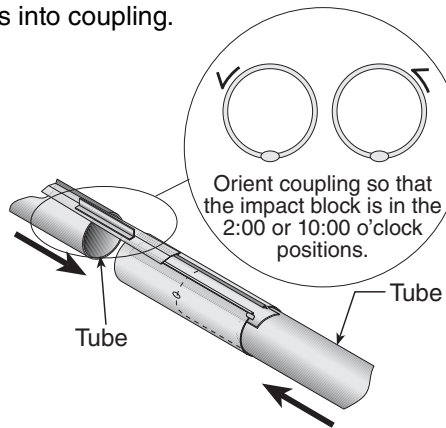
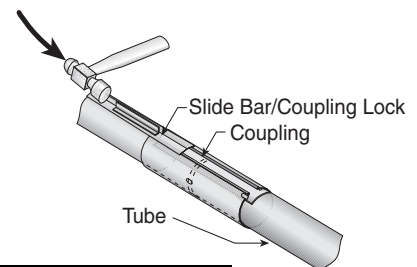
Tube Clamp

Bolt

Flat Washer

Nut
 (Torque 120 in/lb
 13.56 Nm)

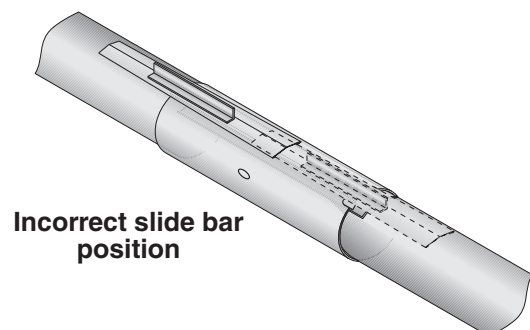
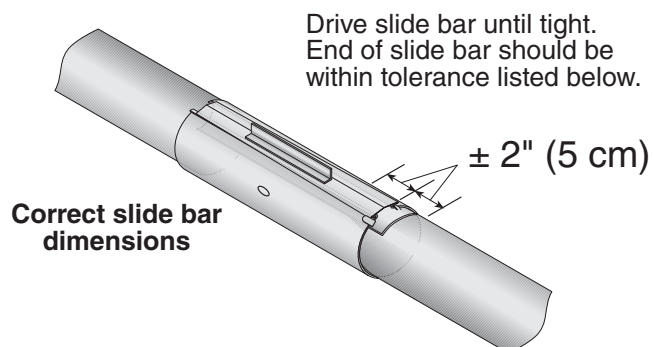
Description	Part Number
Tube Clamp Package	01318901
Tube Clamp	01396801
Bolt	97113940
Flat Washer	95211600
Nut	92113900

Step 6.3 Coupling and Tube Assembly**A** Close coupling with tab.**B** Start Slide bar/Coupling Lock onto coupling.**C** Insert tubes into coupling.**D** Tighten coupling to join tubes.

Description	Part Number
Coupling	01329600
Slide Bar/Coupling Lock	01329700
Tube	91409XXX

Step 6.3.1 Coupling and Tube Assembly (Continued)

Tighten slide bar as shown below.



- Repeat Step 6.3 A - D until all tubes are assembled. See Page 20, Section 6.3.2.

Step 6.3.2 Coupling and Tube Assembly (Continued)

Model	Tube Length Minimum
CTH2-40	10' (3 m)
CTH2-60	20' (6 m)
CTH2-80	20' (6 m)
CTH2-100	30' (9 m)
CTH2-125	40' 12 m)
CTH2-150	50' (15 m)
CTH2-175	60' (18 m)

Step 6.4 Turbulator Installation

Turbulator must be installed in the last standard section of tube. Turbulator is not required on the CTH2-125/150/175.

Turbulator Installation	
Model	Tube Section
CTH2-40	1st 10' Section
CTH2-60	2nd 10' Section
CTH2-80	2nd 10' Section
CTH2-100	3rd 10' Section
CTH2-125	N/A
CTH2-150	N/A
CTH2-175	N/A

Description	Part Number
Turbulator Adapter	03051503
Turbulator Section	03051504
Turbulator Section (stainless)	03051505
Tube	91409XXX

Turbulator Section (stainless) used in CTH2-40 heaters must be in the section of tube nearest to the burner.

Fold tab around outside of tube nearest to the vent to hold turbulator in place. Where a vent sleeve is used, do not fold tab.

Step 6.5 Reflector Installation

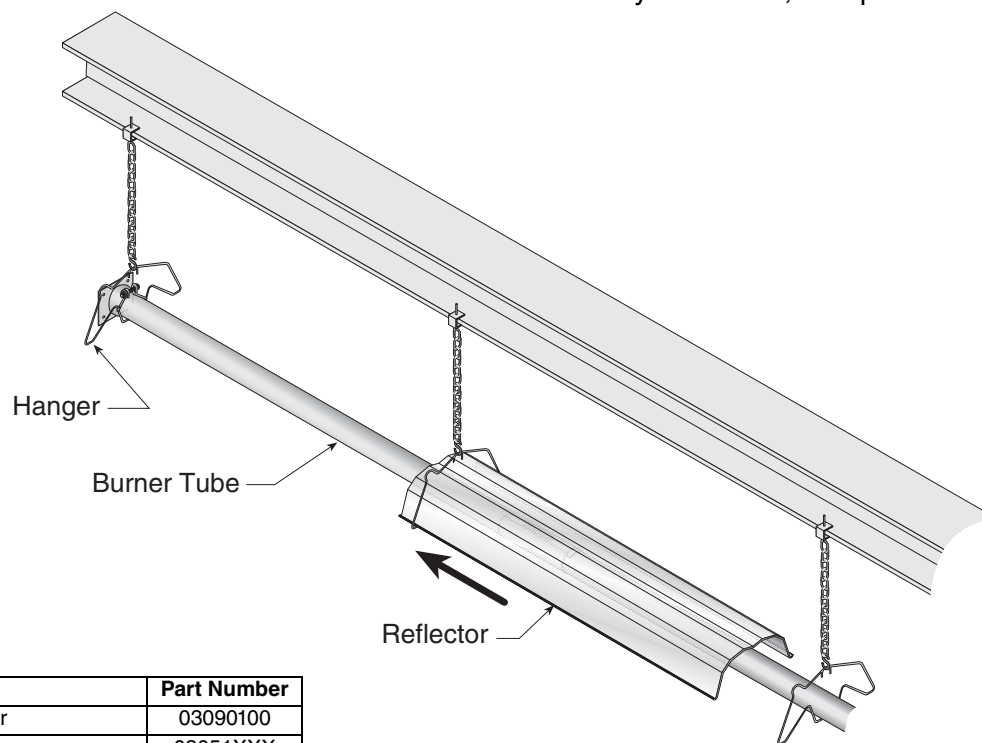
⚠ WARNING**Fire Hazard**

Support reflector with reflector hanger and support strap.

Reflector must not touch tube.

Failure to follow these instructions can result in death, injury or property damage.

NOTE: All tube surfaces must be covered by a reflector, except for a U-Tube.



Description	Part Number
Tube/Reflector Hanger	03090100
Burner Tube	03051XXX
Reflector	02750303

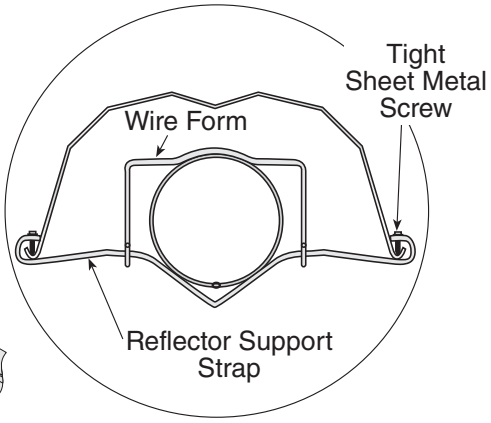
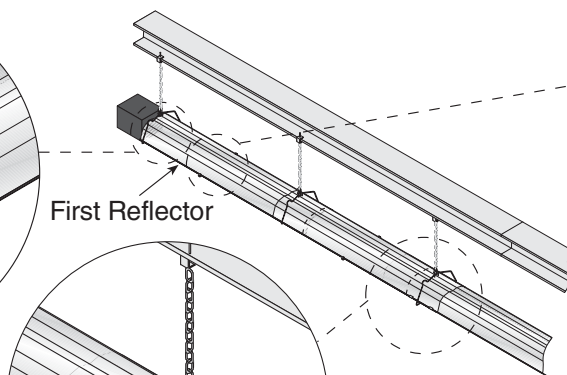
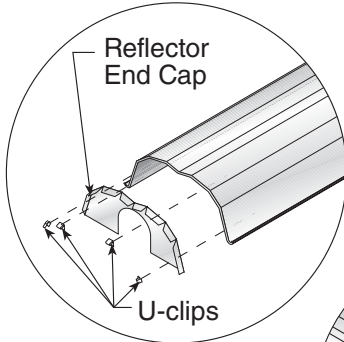
Step 6.5.1 Reflector, U-Clip and Reflector Support Installation

The pictorial drawings of the heater construction in Section 6 are schematic only and provide a general guideline of where hangers, reflector supports and U-clips are to be installed.

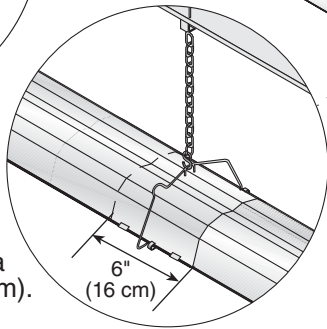
tor supports and U-clips depends on the individual installation. Use either pop rivets or sheet metal screws instead of u-clips when installing end caps and joint pieces in areas where impact and high wind may be a factor. The following rules must be observed.

To ensure proper expansion and contraction movement of the reflectors, a combination of U-clips and reflector supports are used. The positioning of reflector

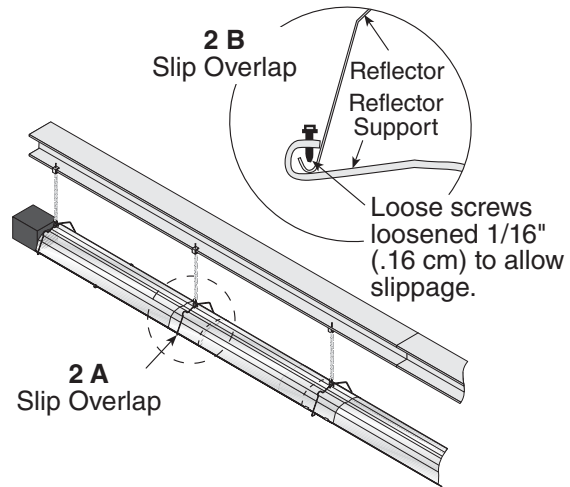
1. The first reflector after the burner must be affixed in the middle of the reflector with a reflector support and tight screws.



Overlap must be a minimum of 6" (16 cm).

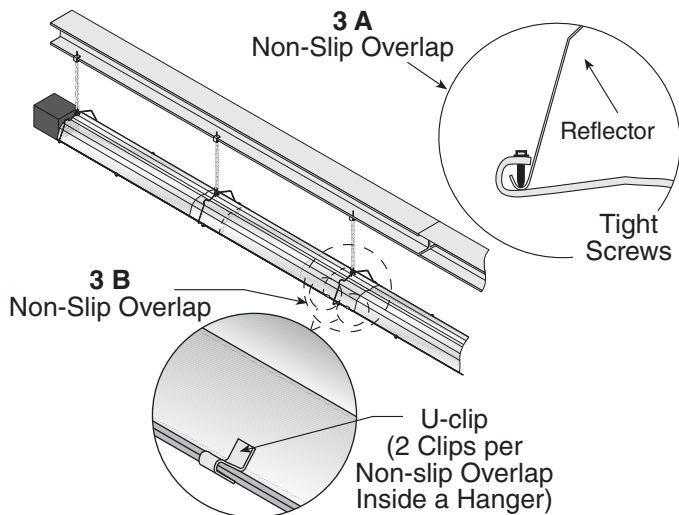


2. The overlap at the first and second reflector is a **slip overlap**. Thereafter, every third reflector joint is a slip overlap. A slip overlap is achieved by either:
 - a.) both reflectors lay inside a hanger. (No reflector support needed.)
 - b.) using a reflector support with loose screws at the reflector overlap.



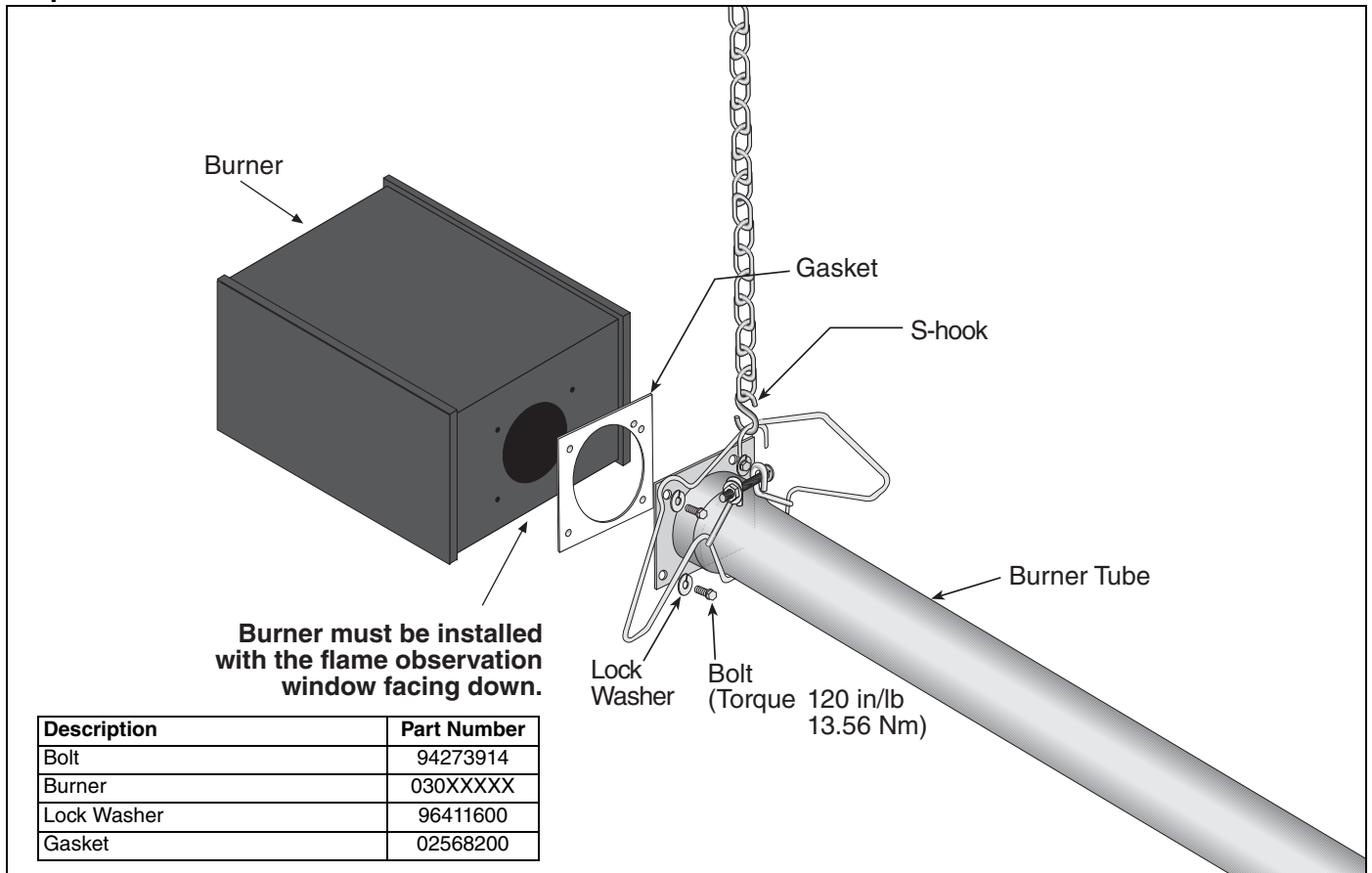
3. The remaining reflector overlaps require a **non-slip overlap** connection. To affix the reflectors together in a non-slip overlap either:
 - a.) use reflector support and tight screws.
 - b.) if both reflectors lay inside a hanger, u-clips or sheet metal screws may be used.

This section of three reflectors joined together must be affixed to the tube with at least one reflector support with tight screws.



Description	Part Number
Reflector Support Package	03050010
Wire Form	91908004
Reflector Support Strap	03050000
Screw #8 x 3/4	94320812
U-Clip Package	91107720
Reflector End Cap	027508XX

Step 6.6 Burner Installation



SECTION 7: OPTIONAL HEATER ACCESSORIES**! WARNING****Cut/Pinch Hazard**

Wear protective gear during installation, operation and service.

Edges are sharp.

Failure to follow these instructions can result in injury.

7.1 U-Tube Configuration

Heaters (except CTH2-40) are approved for optional U-Tube configurations.

The U-Tube may be installed in either a standard horizontal position, a 45° position or in an opposite 45° position as shown on *Page 7, Figure 7 through Figure 9*. When using a U-Tube configuration, the following additional rules must be adhered to:

- A minimum of 10' (3 m) on CTH2-60/80 and a minimum of 15' (4.5 m) on CTH2-100/125/150/175 is required between the burner and the U-Tube.
- The correct turbulator (*See Page 20, Figure 6.4*) must be installed in the last standard section of tube.
- The burner must never be operated in a tilted position.
- The heater must be properly supported at all locations. *See Page 26, Figure 19.*

FIGURE 18: U-Tube Heater Assembly Overview

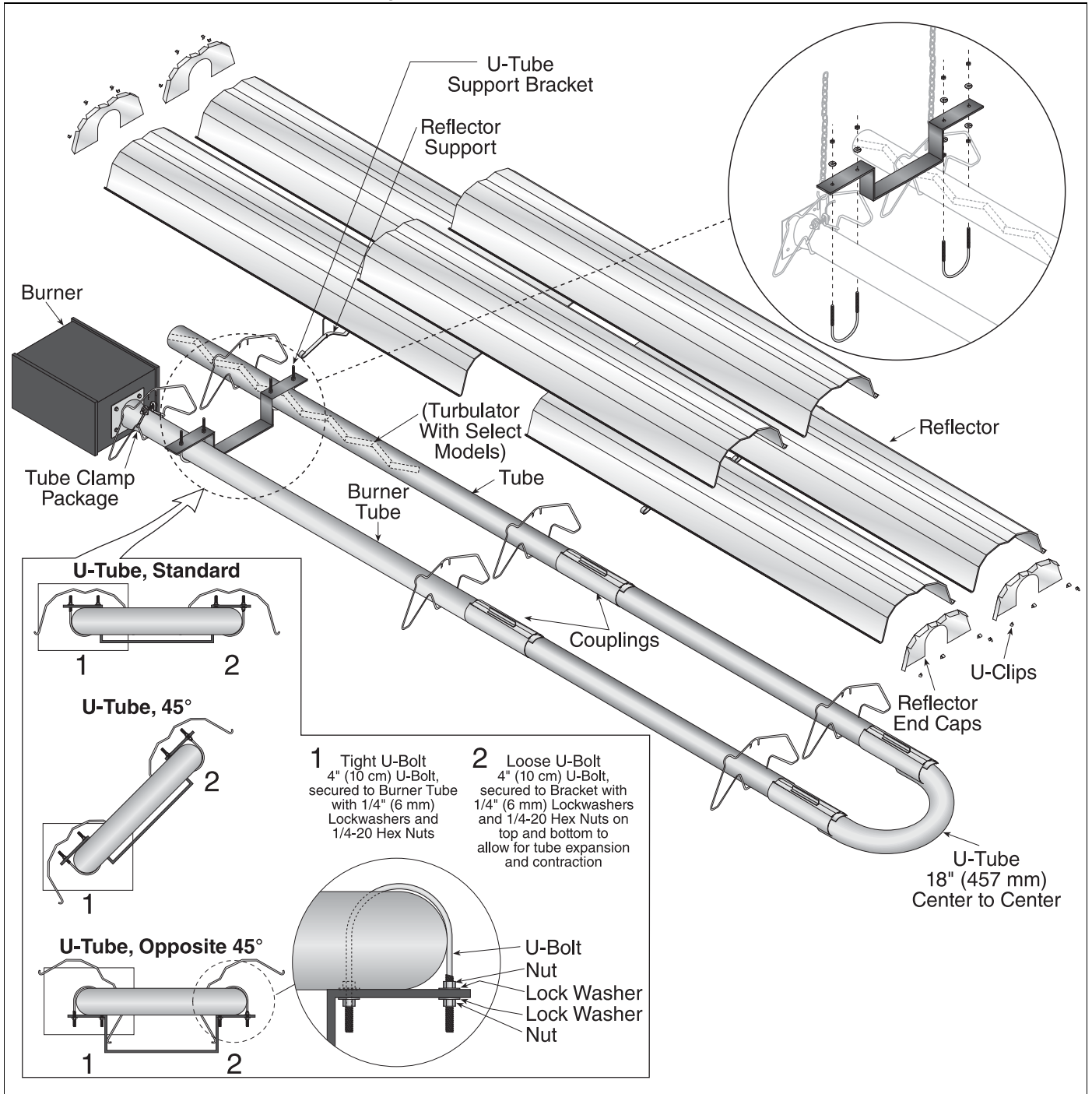
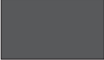








FIGURE 19: U-Tube Heater Layout Overview

LEGEND	
	Burner
	Reflector
	Tube 10'
	Tube 5' **
	Tube/Reflector Hanger
	Coupling Assembly
	U-Tube
<p>a = 14" (36 cm) reflector width (not shown)</p> <p>b = 2" (5 cm) end cap to burner</p> <p>c = 2" (5 cm) end cap to hanger</p> <p>d = 7'6" (229 cm) distance first hanger</p> <p>e = 10' (305 cm) distance between hangers</p> <p>f = 5' (153 cm) distance between last full tube hanger and half tube hanger</p> <p>g = 17.5" (44 cm) burner length</p> <p>h = 9.5" (24 cm) burner height</p> <p>*Requires the last reflector before the U-Tube to be cut in half for use on both sides.</p> <p>**Requires the last tube before the U-Tube to be cut in half for use on both sides.</p>	

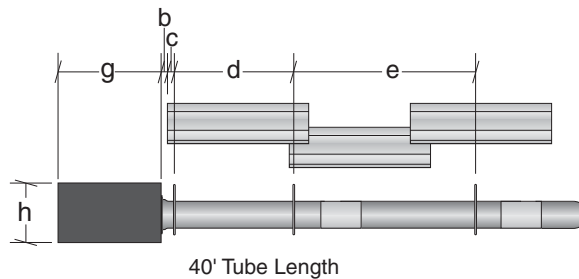
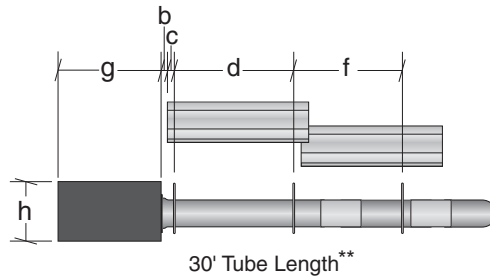
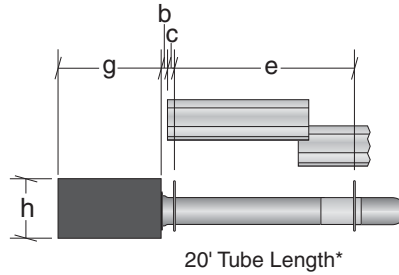
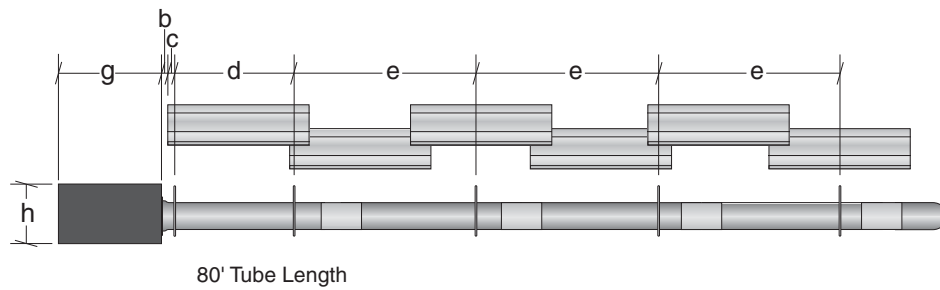
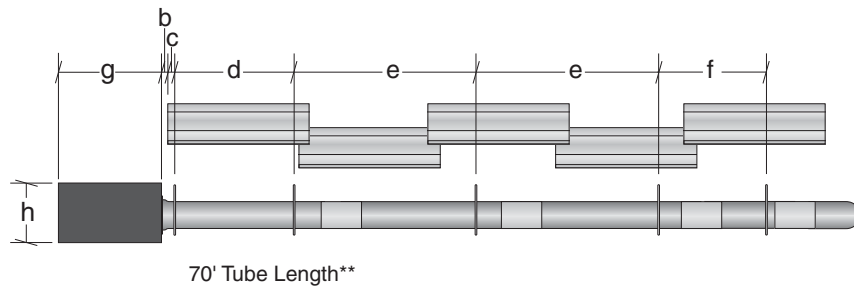
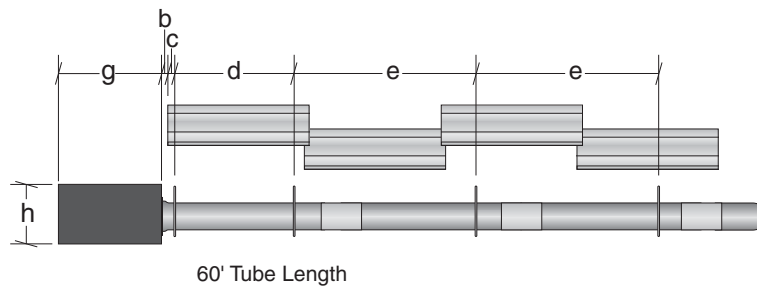
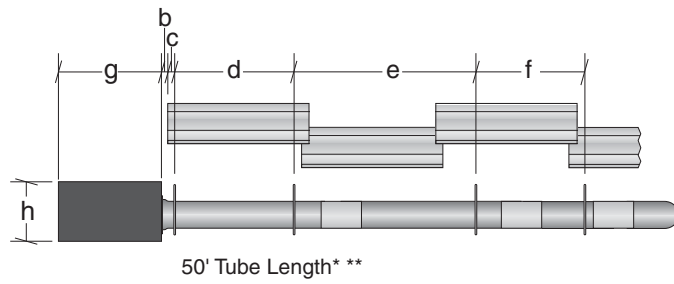
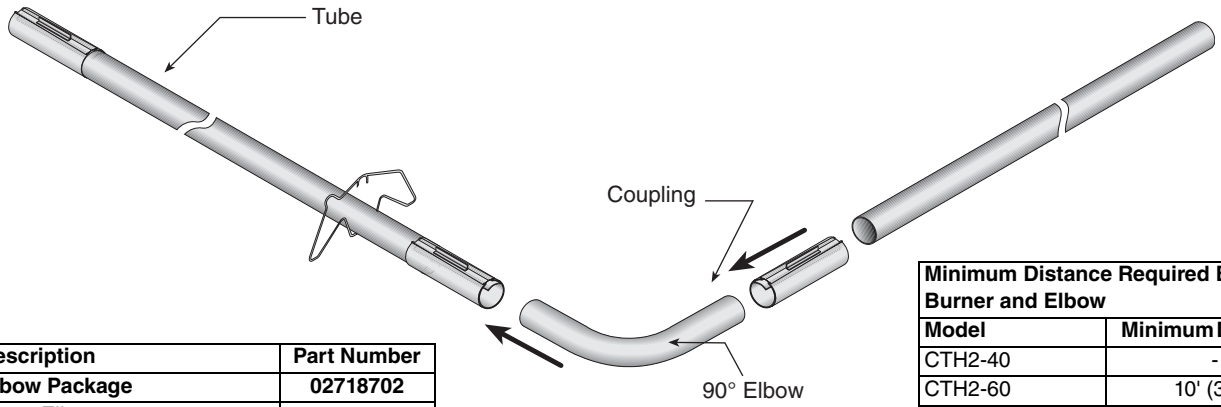


FIGURE 20: U-Tube Heater Layout Overview (Continued)



7.2 Elbow Package Configuration

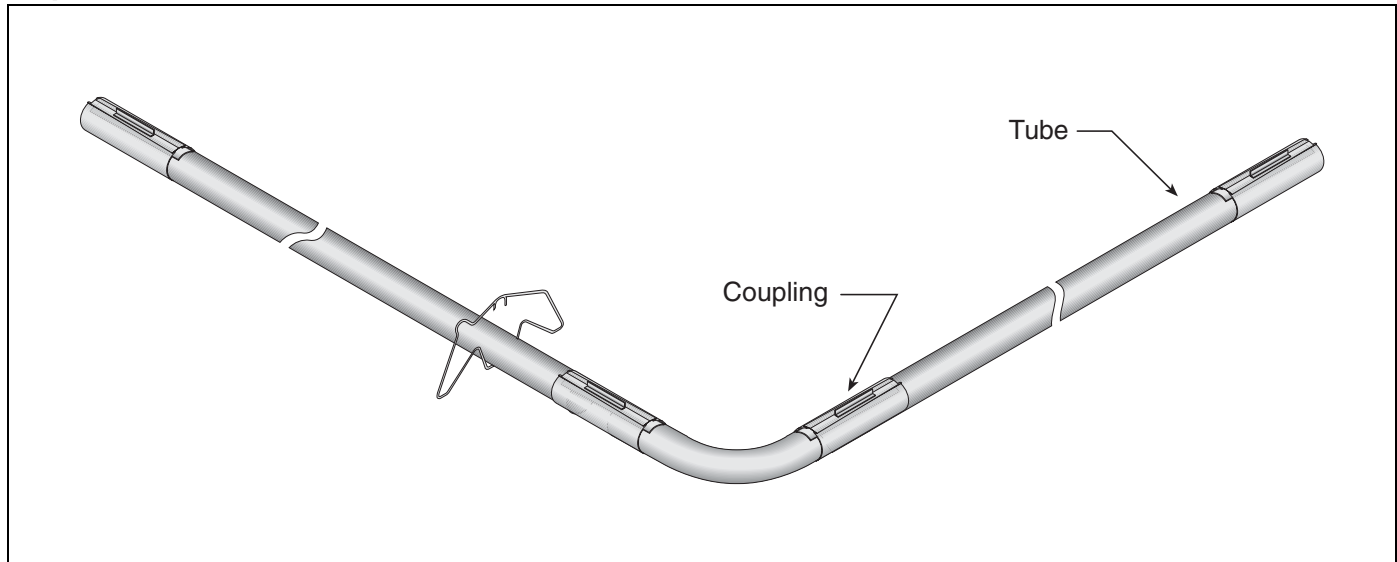
Step 7.2.1 Elbow Installation



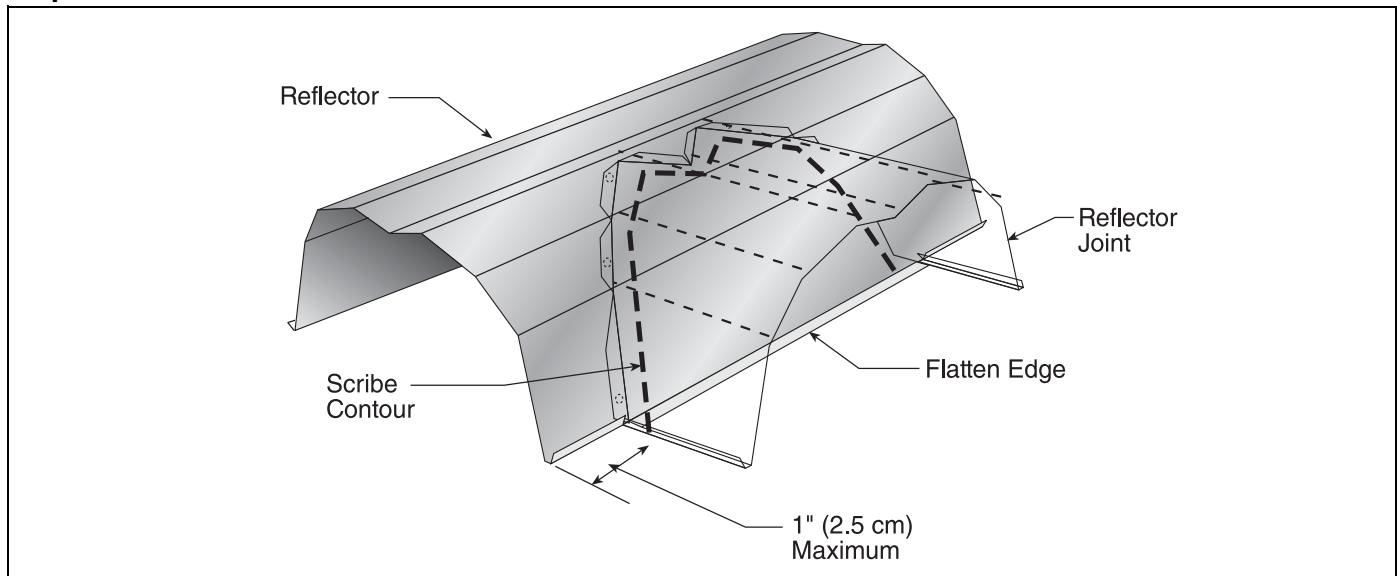
Description	Part Number
Elbow Package	02718702
90° Elbow	01335801
Coupling	01312700
Reflector End Cap	02750800
Reflector Joint Piece	02750900
U-Clip Package	91107720

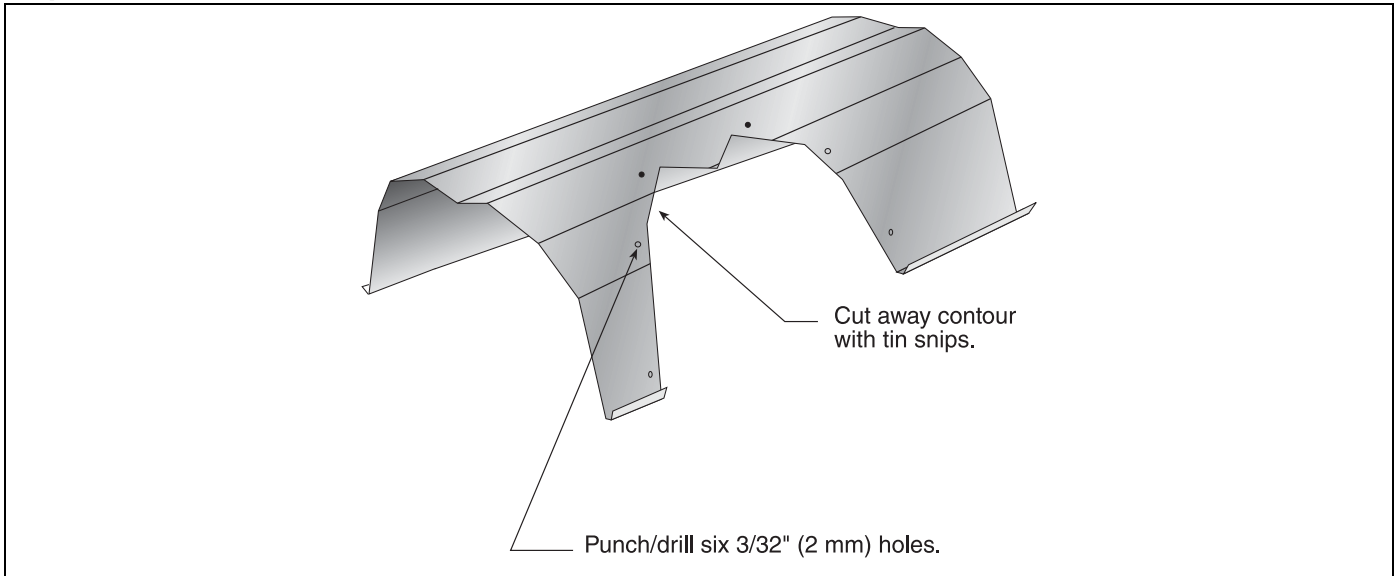
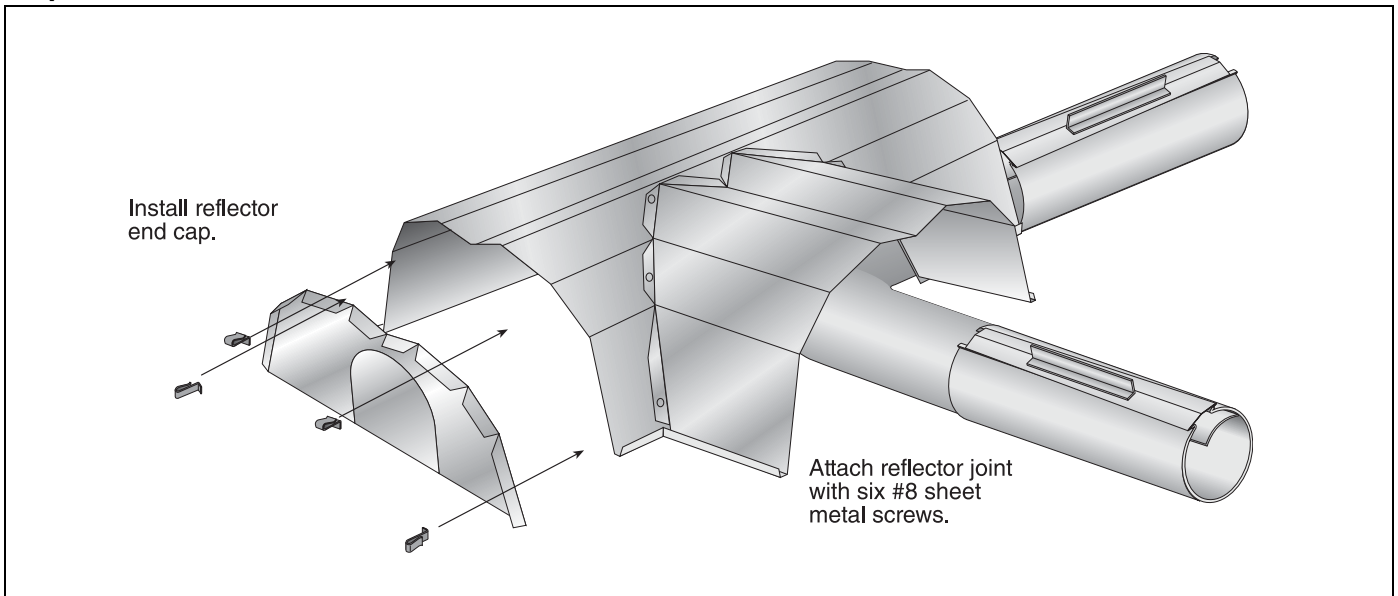
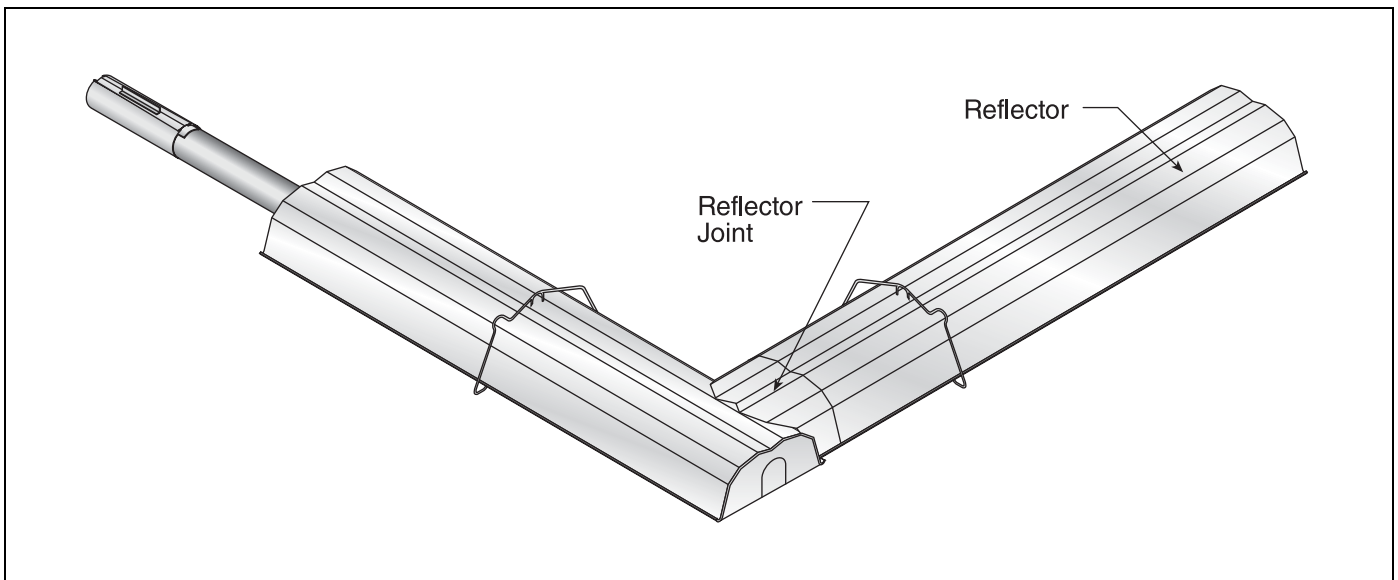
Minimum Distance Required Between Burner and Elbow	
Model	Minimum Distance
CTH2-40	-
CTH2-60	10' (3 m)
CTH2-80	10' (3 m)
CTH2-100	15' (4.5 m)
CTH2-125	15' (4.5 m)
CTH2-150	15' (4.5 m)
CTH2-175	15' (4.5 m)

Step 7.2.2 Elbow Installation



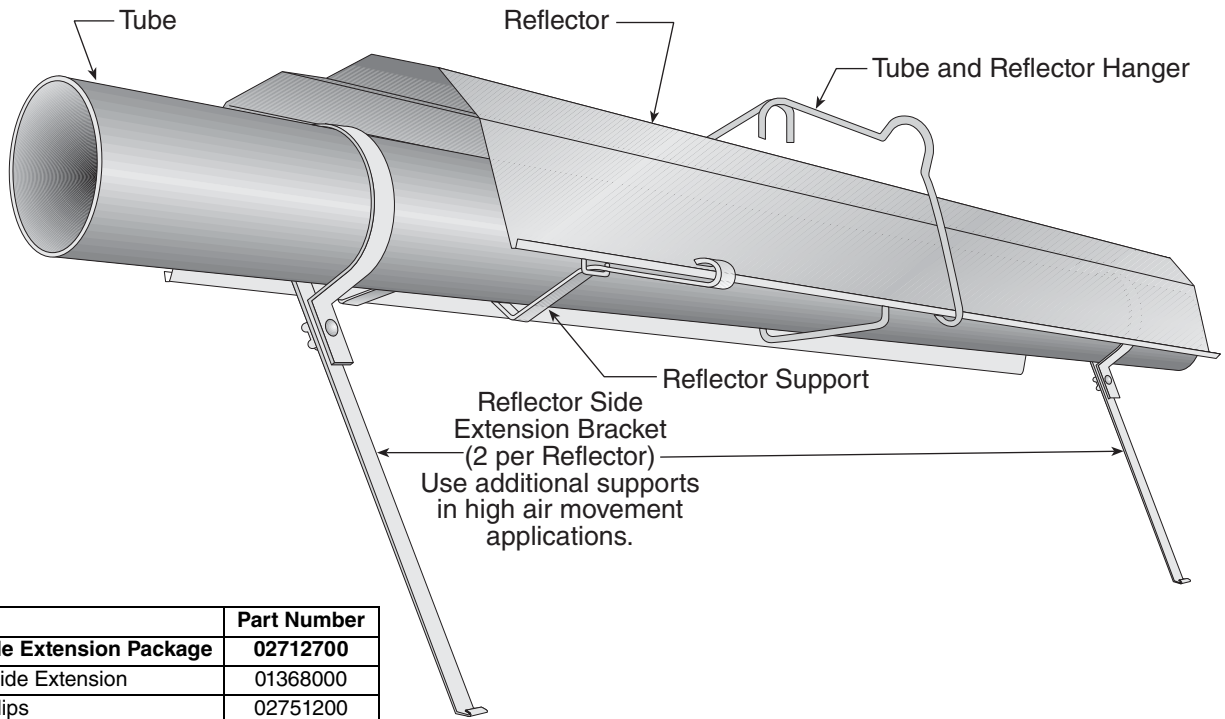
Step 7.2.3 Reflector Joint Installation



Step 7.2.4 Reflector Joint Installation**Step 7.2.5 Reflector Joint Detail****FIGURE 21: Reflector Joint Detail**

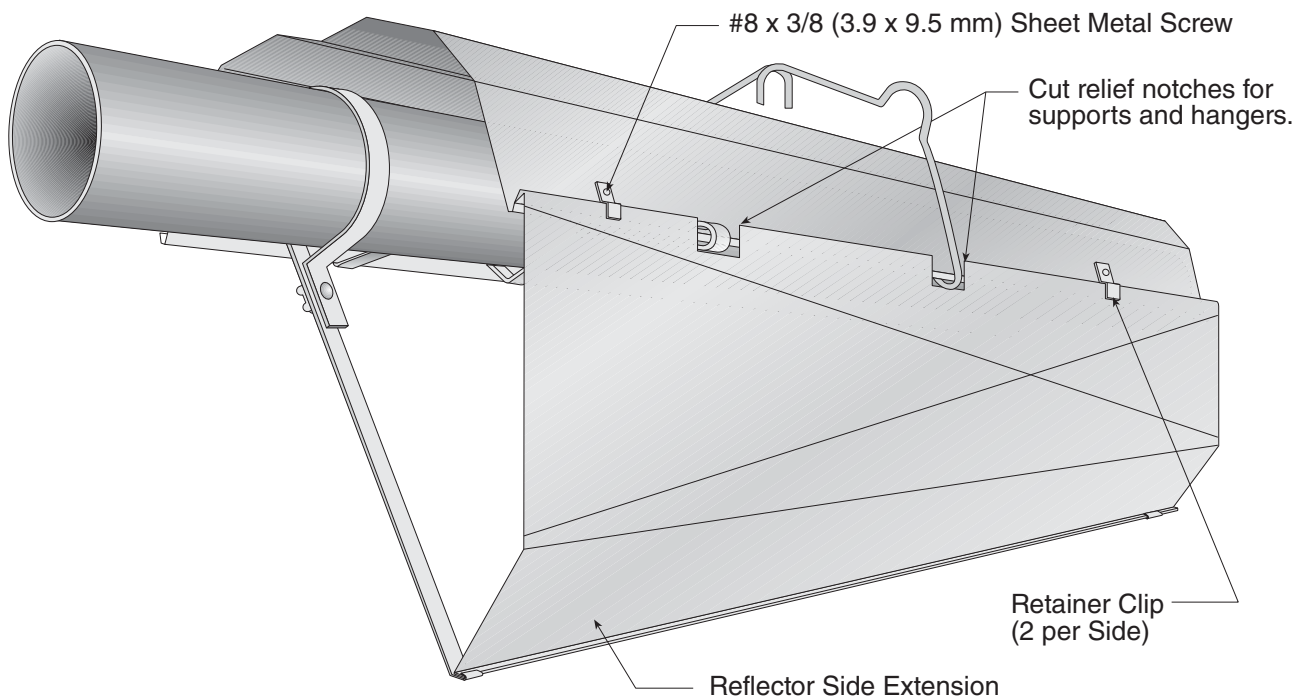
7.3 Reflector Side Extension

Step 7.3.1 Bracket Installation



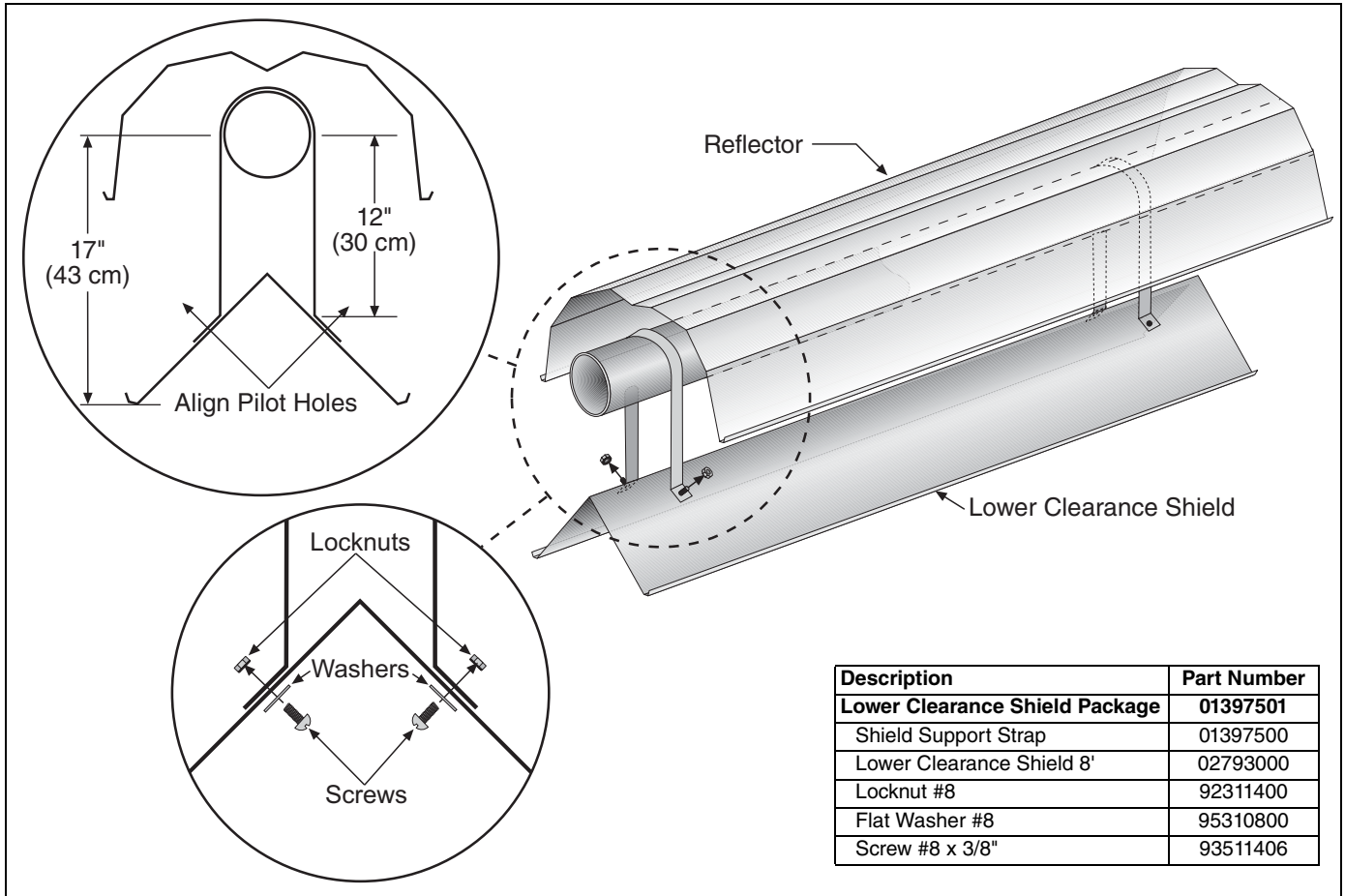
Description	Part Number
Reflector Side Extension Package	02712700
Reflector Side Extension	01368000
Retainer Clips	02751200
Sheet Metal Screws	94118106
Order Separately	
Reflector Side Extension	01329910

Step 7.3.2 Side Reflector Installation



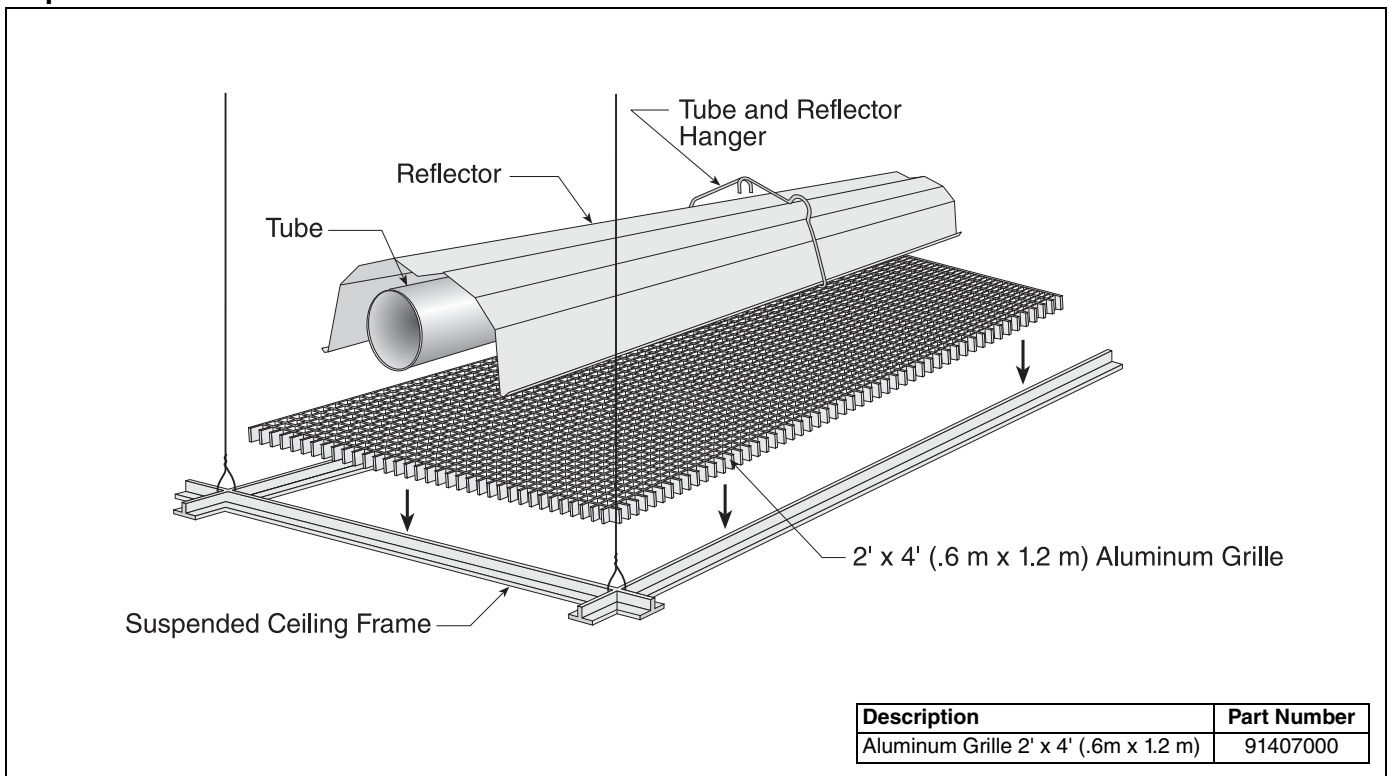
7.4 Lower Clearance Shield Installation

Step 7.4.1 Shield Support Strap Assembly

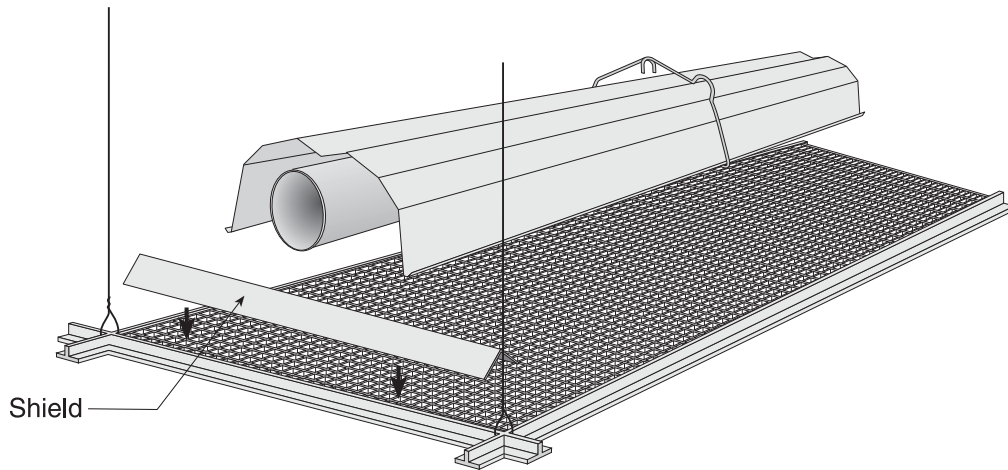


7.5 Two-Foot Decorative Grille Installation

Step 7.5.1 Grille Installation



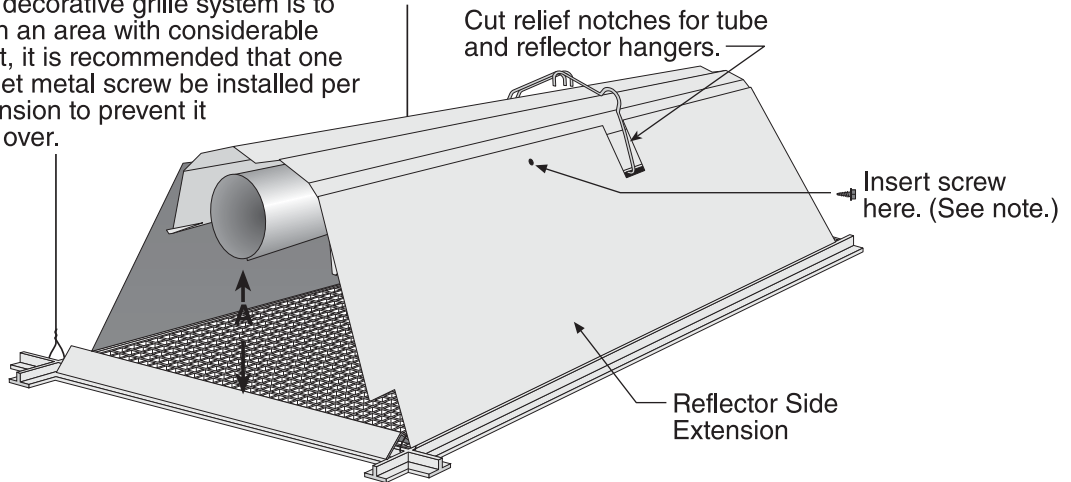
Step 7.5.2 Frame Shield Installation



Description	Part Number
Deco Grille Shield	01365900

Step 7.5.3 Reflector Side Extension Installation for Decorative Grilles

NOTE: If the decorative grille system is to be installed in an area with considerable air movement, it is recommended that one #8 x 3/8" sheet metal screw be installed per reflector extension to prevent it from blowing over.

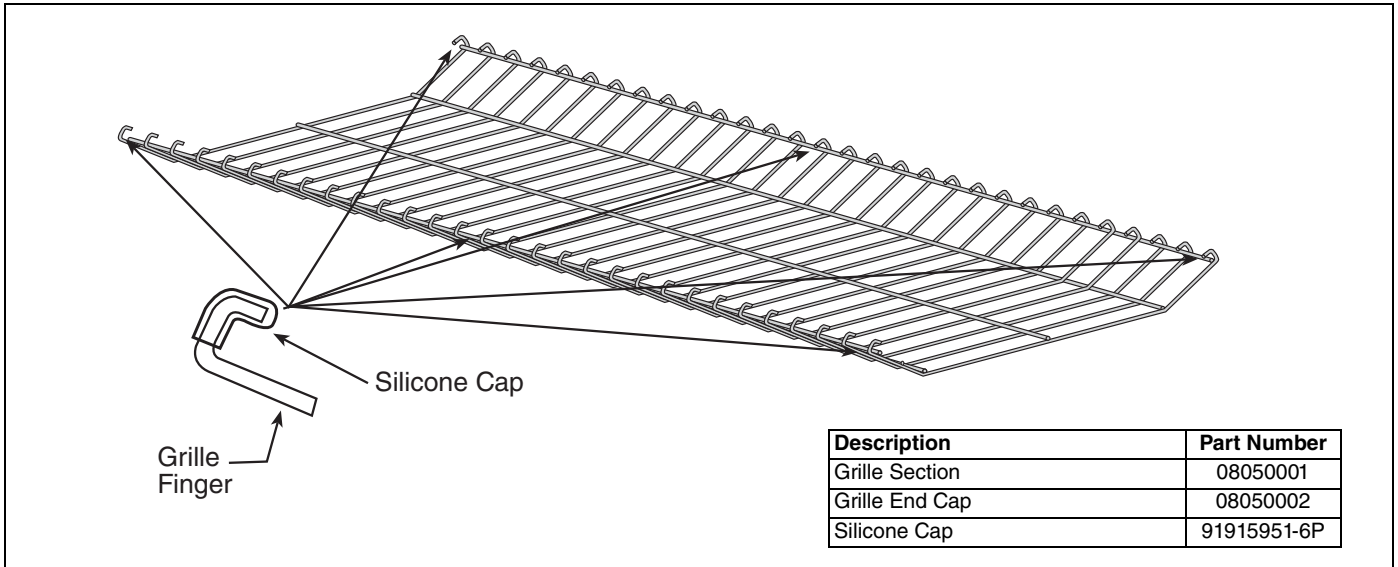


Distance "A"		Extension	
Minimum	Maximum	Part No.	Width
2" (4 cm)	6" (15 cm)	01370408	8" (20 cm)
6" (15 cm)	10" (26 cm)	01370412	12" (30 cm)
10" (26 cm)	14" (37 cm)	01370416	16" (40 cm)

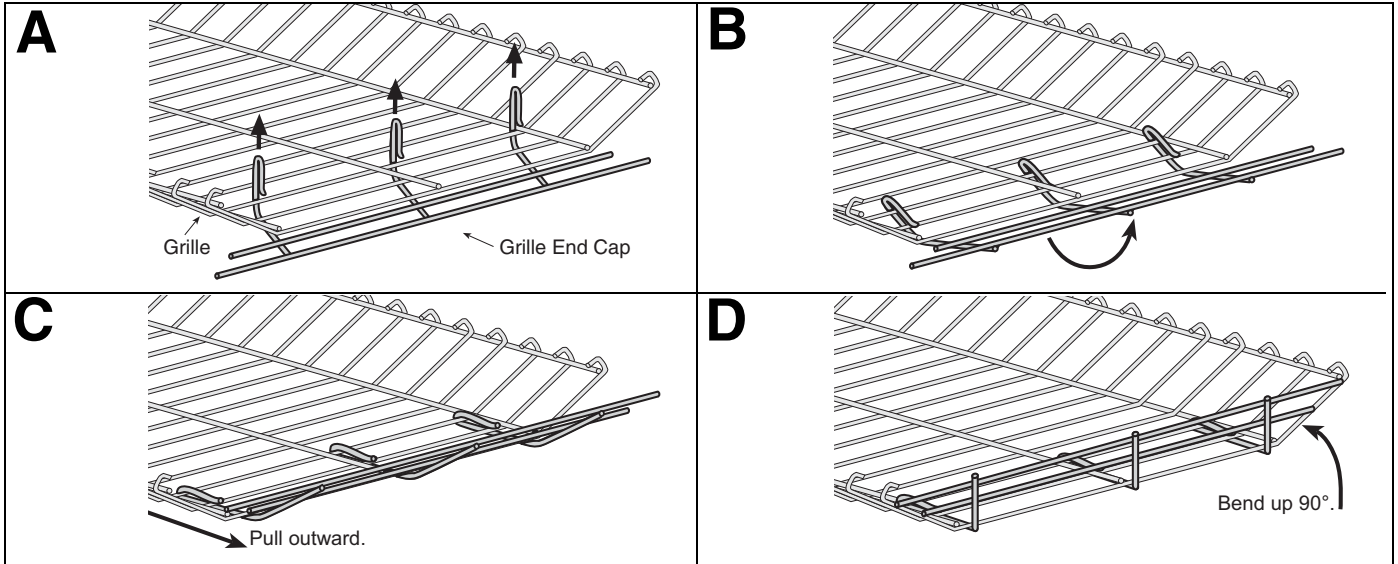
Description	Part Number
Reflector Side Extension	01370412

7.6 Protective Grille Installation

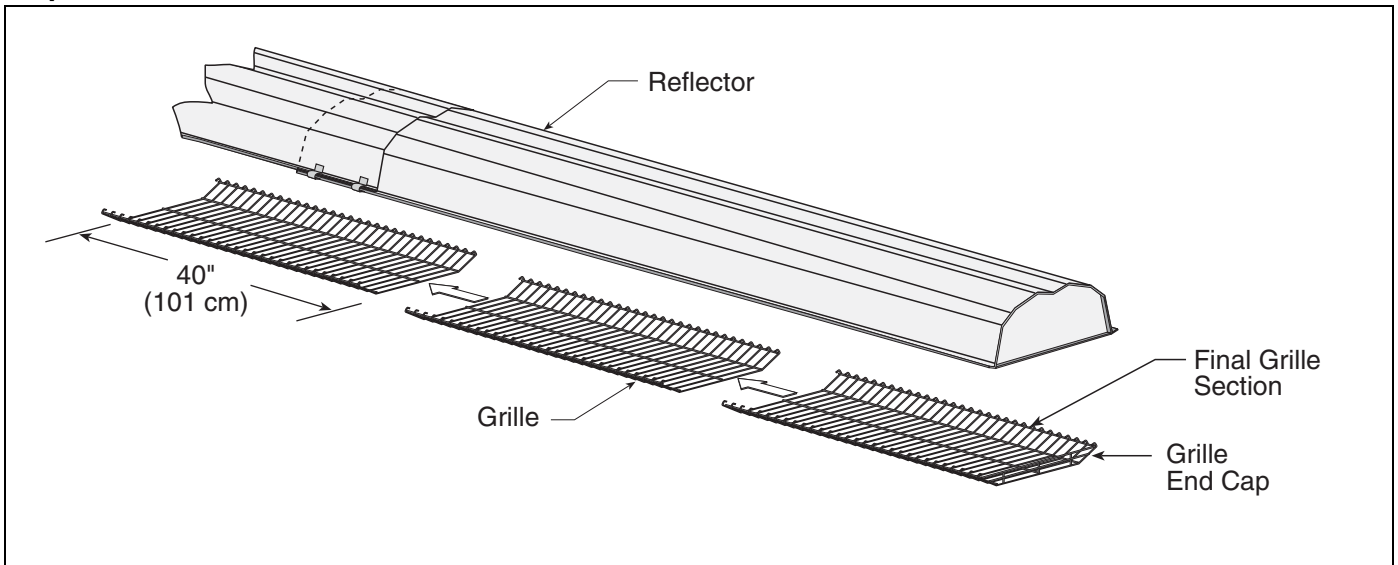
Step 7.6.1 Silicone Cap Installation




Step 7.6.2 Grille End Cap Installation



Step 7.6.3 Grille Installation



SECTION 8: VENTING

! WARNING

Carbon Monoxide Hazard
Heaters installed unvented must be interlocked with sufficient building exhaust.
Heaters must be installed according to the installation manual.
Failure to follow these instructions can result in death or injury.

! WARNING

Cut/Pinch Hazard
Wear protective gear during installation, operation and service.
Edges are sharp.
Failure to follow these instructions can result in injury.

8.1 General Venting Requirements

This heater must be vented in accordance with the rules contained in this manual and with the following national codes and any state, provincial or local codes which may apply:

United States: Refer to National Fuel Gas Code NFPA 54/ANSI Z223.1 - latest revision.

Canada: Refer to Natural Gas and Propane Installation Code CSA B149.1 - latest revision.

Exhaust end of heater will accept a 4" (10 cm) vent pipe using the vent adapter (P/N 90502700). To prevent leakage of condensation, install the vent adapter with the seam on top and seal the joint using a high temperature silicone sealant.

Any portion of vent pipe passing through a combustible wall must have an approved thimble to conform with the above listed codes.

Vent pipe must be sloped downward away from the burner 1/2" (1 cm) for every 20' (6 m).

The heater may be individually vented or common vented. When venting horizontally, a maximum of two heaters can be commonly vented. See Page 36, Section 8.9. When venting vertically, a maximum of four heaters can be commonly vented. See Page 37, Section 8.10.

The heater may also be installed unvented in certain circumstances according to building ventilation codes. Refer to the above codes and Page 34, Section 8.2 for further information. Unvented operation also requires compliance with the clearances to combustibles given on Page 8, Figure 12.

The bottom of the vent or air intake terminal shall not be located less than 1' (.3 m) above grade level.

The vent shall not terminate less than 7' (2.1 m) above grade where located adjacent to public walkways.

Vent terminal must be installed at a height sufficient to prevent blockage by snow and building materials protected from degradation by flue gasses.

Secure all joints with #8 x 3/8 sheet metal screws. Seal all joints with high temperature silicone sealant.

Vent terminal must be beyond any combustible overhang.

8.1.1 United States Requirements

Vent must terminate at least 3' (.9 m) above any forced air inlet located within 10' (3.1 m).

Vent must terminate at least 4' (1.2 m) below, 4' (1.2 m) horizontally from, or 1' (.3 m) above any door, operable window, or gravity air inlet into any building.

8.1.2 Canadian Requirements

The vent shall not terminate within 6' (1.8 m) of a mechanical air supply inlet to any building.

The vent shall not terminate within 3' (.9 m) of a window or door that can be opened in any building, any non-mechanical air supply inlet to any building, or of the combustion air inlet of any other appliance.

8.2 Unvented Operation

Sufficient ventilation must be provided in the amount of 4 cfm per 1000 Btu/h firing rate (United States); 3 cfm per 1000 Btu/h firing rate (Canada).

Use of optional outside combustion air is not recommended with unvented heaters.

If exhaust fans are used to supply ventilation air, an interlock switch must be used to prevent the heater from coming on when the fans are off. This may be done using a pressure switch.

8.3 Horizontal Venting

In noncombustible walls only, vent terminal (P/N 02537801-1P) may be used.

For 4" (10 cm) vents in either combustible or noncombustible walls, use Tjernlund VH1-4 (P/N 90502100) or equivalent insulated vent terminal. Follow the manufacturer's instructions for proper installation.

For 6" (15 cm) common vents in either combustible or noncombustible walls, use Tjernlund VH1-6 (P/N 90502101) or equivalent insulated vent terminal. Follow the manufacturer's instructions for proper installation.

8.4 Vertical Venting

For 4" (10 cm), an approved vent cap (P/N 90502300) must be used.

For 6" (15 cm) common vent, an approved vent cap (P/N 90502302) must be used.

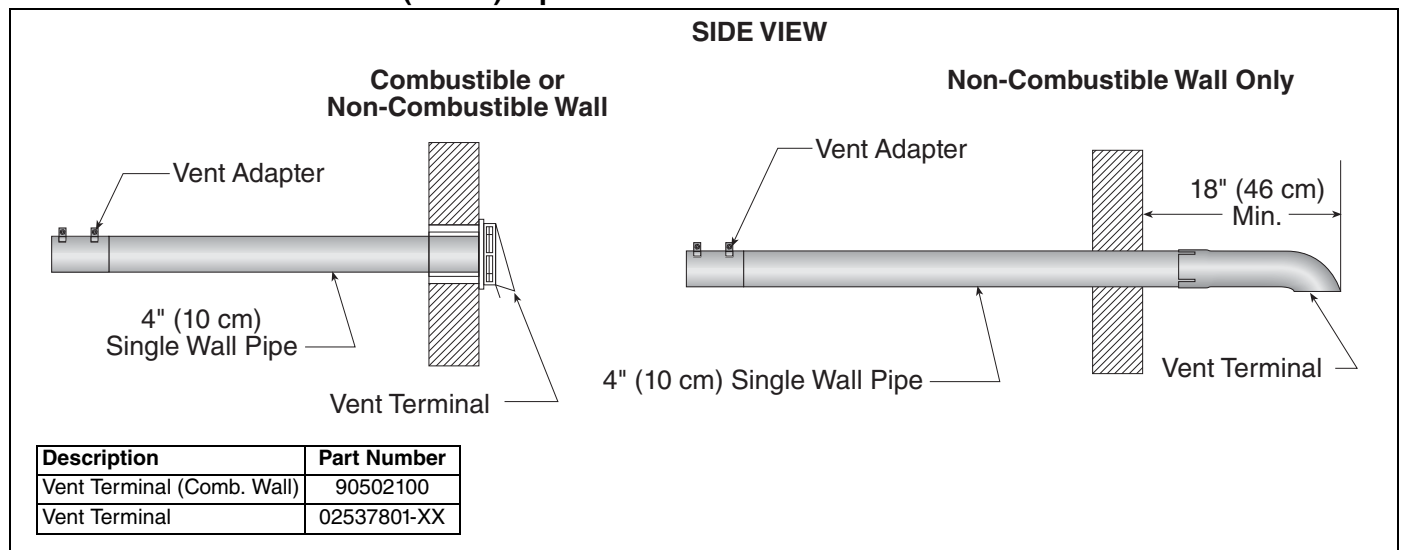
For common vertical venting of more than two heaters, See Page 37, Section 8.10.

A vent shall not extend less than 2' (.6m) above the highest point where it passes through a flat roof of a building.

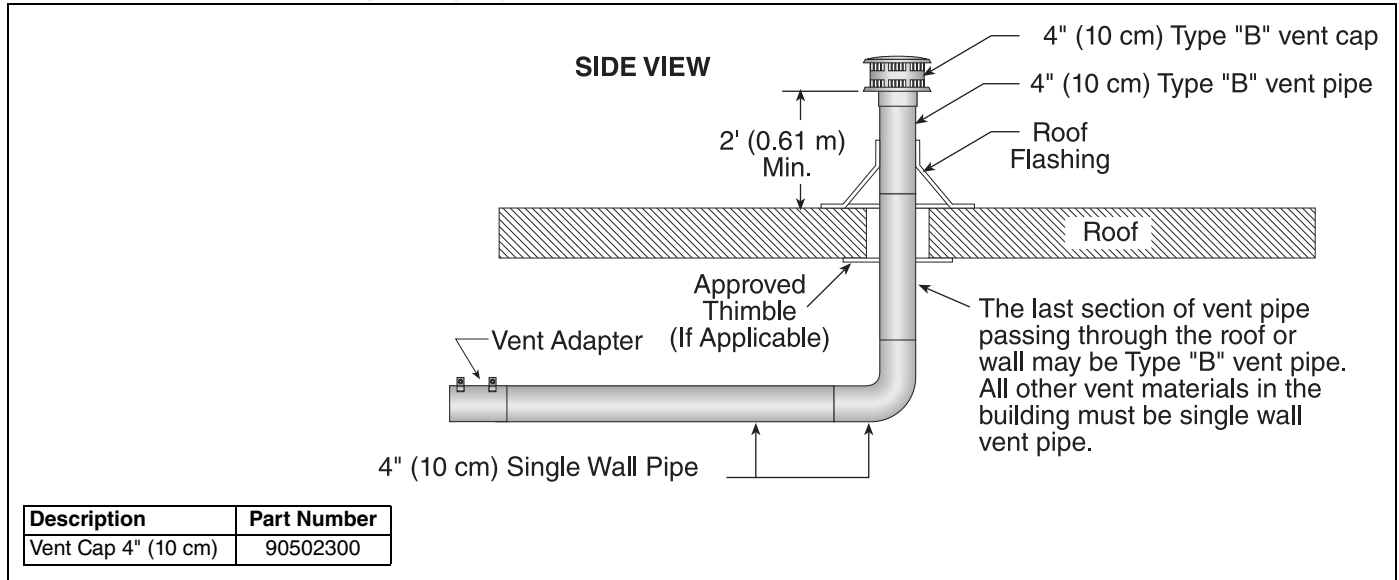
8.5 Unvented Operation Tube Termination

Turndown type vent terminal with a screen must be installed at the exhaust end of the tube. Vent terminal design shall not incorporate backdraft flap.

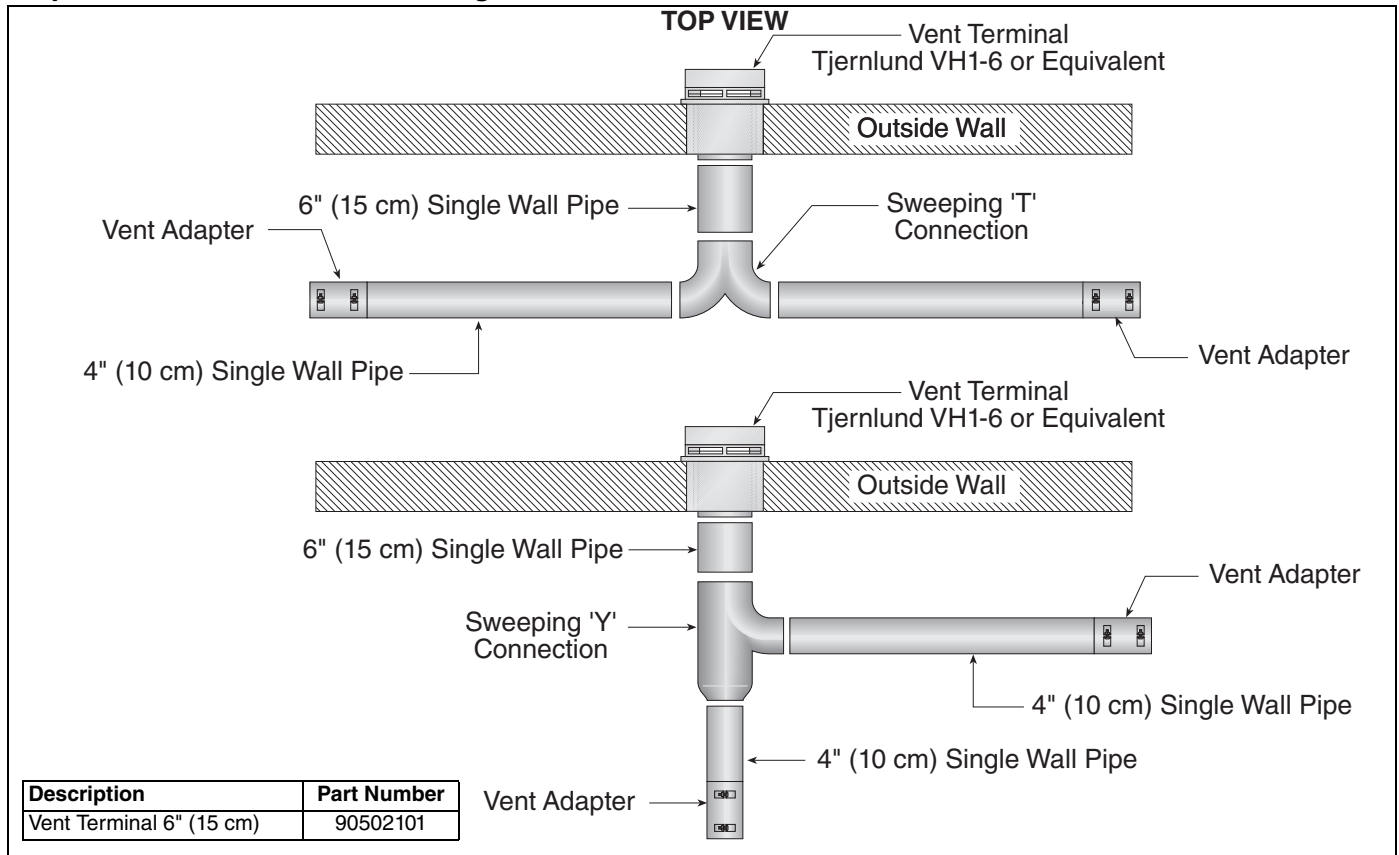
8.7 Horizontal Ventilation 4" (10 cm) Pipe



8.8 Vertical Ventilation 4" (10 cm) Pipe



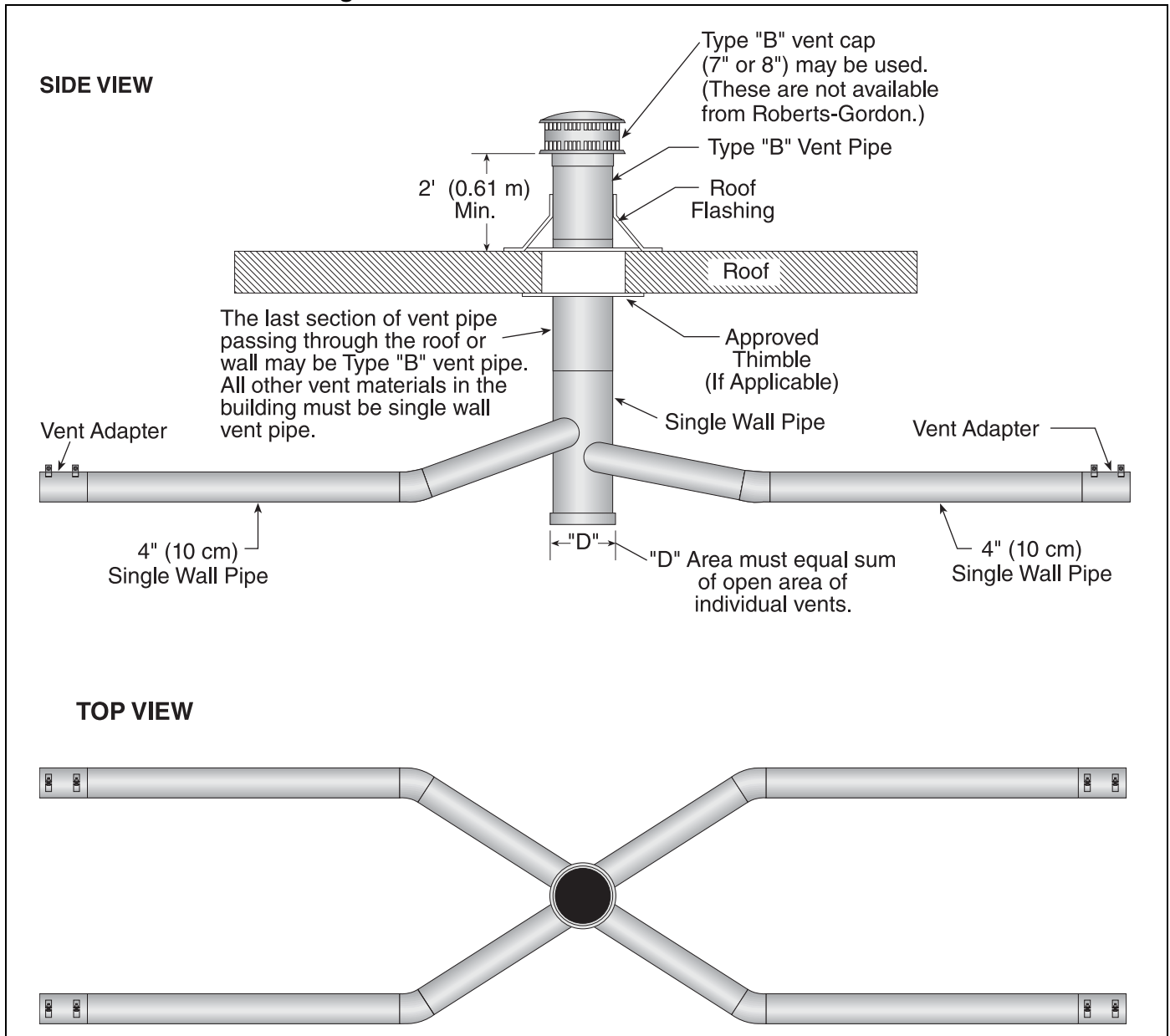
Step 8.9 Common Sidewall Venting



Requirements:

- Maximum of two heaters can be commonly vented through a side wall.
- Heaters must be of the same BTU output.
- Heaters must be controlled by a common thermostat.

8.10 Common Vertical Venting



Requirements:

- Maximum of four heaters can be commonly vented through the roof.
- Heaters must be of the same BTU output.
- Heaters must be controlled by a common thermostat.
- Connections to a common stack must be positioned to avoid direct opposition between streams of combustion gases.

8.11 Outside Combustion Air Supply

IMPORTANT: If the building has a slight negative pressure or corrosive contaminants, such as halogenated hydrocarbons, are present in the air, an outside combustion air supply to the heater is required. Seal all combustion air pipe joints.

Use of optional outside combustion air is not recom-

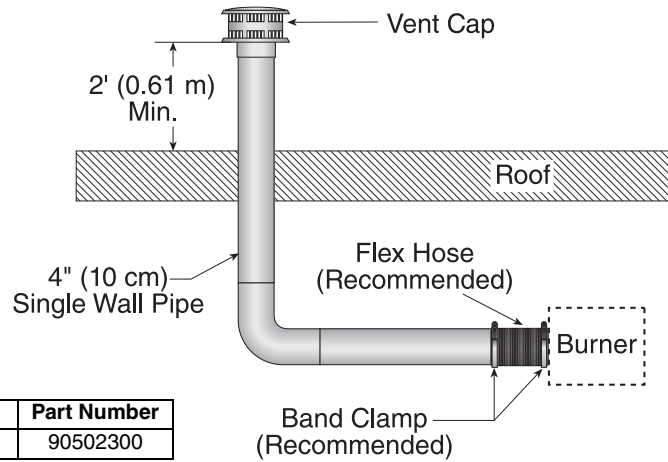
mended with unvented heaters.

The air supply duct may have to be insulated to prevent condensation on the outer surface. The outside air terminal must not be more than 1' (31 cm) above the vent terminal.

8.11.1 Length Requirements

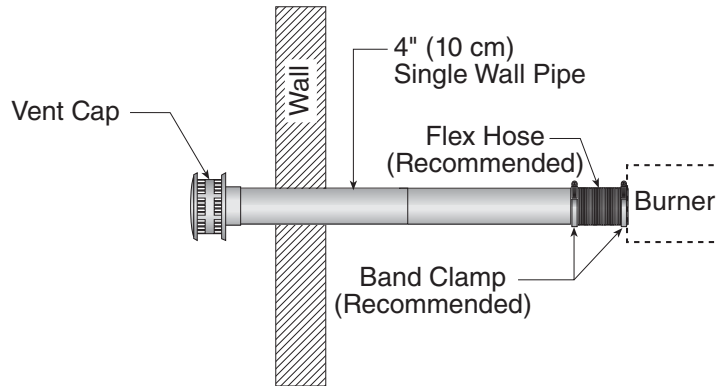
Follow the constraints listed on Page 35, Section 8.6.

8.11.2 Vertical Outside Air Supply for Single Heater Installation



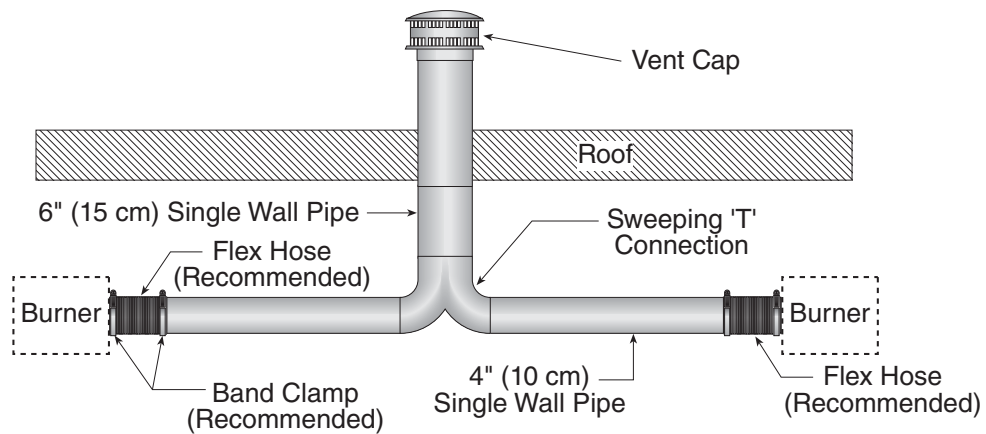
Description	Part Number
Vent Cap 4" (10 cm)	90502300

8.11.3 Horizontal Outside Air Supply for Single Heater Installation



Description	Part Number
Vent Cap 4" (10 cm)	90502300

8.11.4 Vertical Outside Air Supply for Double Heater Installation

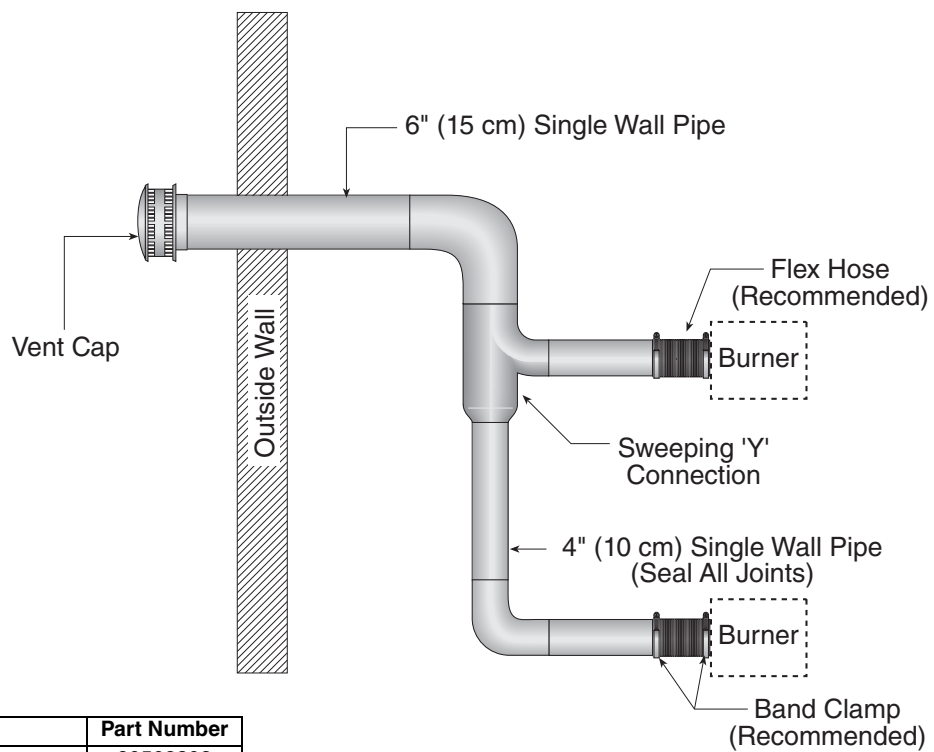


Description	Part Number
Vent Cap 6" (15 cm)	90502302

Requirements:

- Heaters must be controlled by a common thermostat.

8.11.5 Horizontal Outside Air Supply for Double Heater Installation




Description	Part Number
Vent Cap 6" (15 cm)	90502302

Requirements:

- Heaters must be controlled by a common thermostat.

SECTION 9: GAS PIPING

! WARNING



Fire Hazard

Tighten gas hose fittings to connect gas supply according to Figure 23.

Gas hose can crack when twisted.


Gas hose moves during normal operation.

Use only 36" (91 cm) long connector of 1/2" or 3/4" nominal ID.

Connector supplied with heater for U.S. models (not with Canadian models).

Failure to follow these instructions can result in death, injury or property damage.

! WARNING



Explosion Hazard

Leak test all components of gas piping before operation.

Gas can leak if piping is not installed properly.

Do not high pressure test gas piping with heater connected.

Failure to follow these instructions can result in death, injury or property damage.

There is an expansion of the tube with each firing cycle. This will cause the burner to move with respect to the gas line. This can cause a gas leak resulting in an unsafe condition if the gas connection is not made in strict accordance with *Figure 23*.

Meter and service must be large enough to handle all the burners being installed plus any other connected load. The gas line which feeds the system must be large enough to supply the required gas with a maximum pressure drop of 1/2" wc. When gas piping is not included in the layout drawing, the local gas supplier will usually help in planning the gas piping.

Gas lines must meet applicable codes:

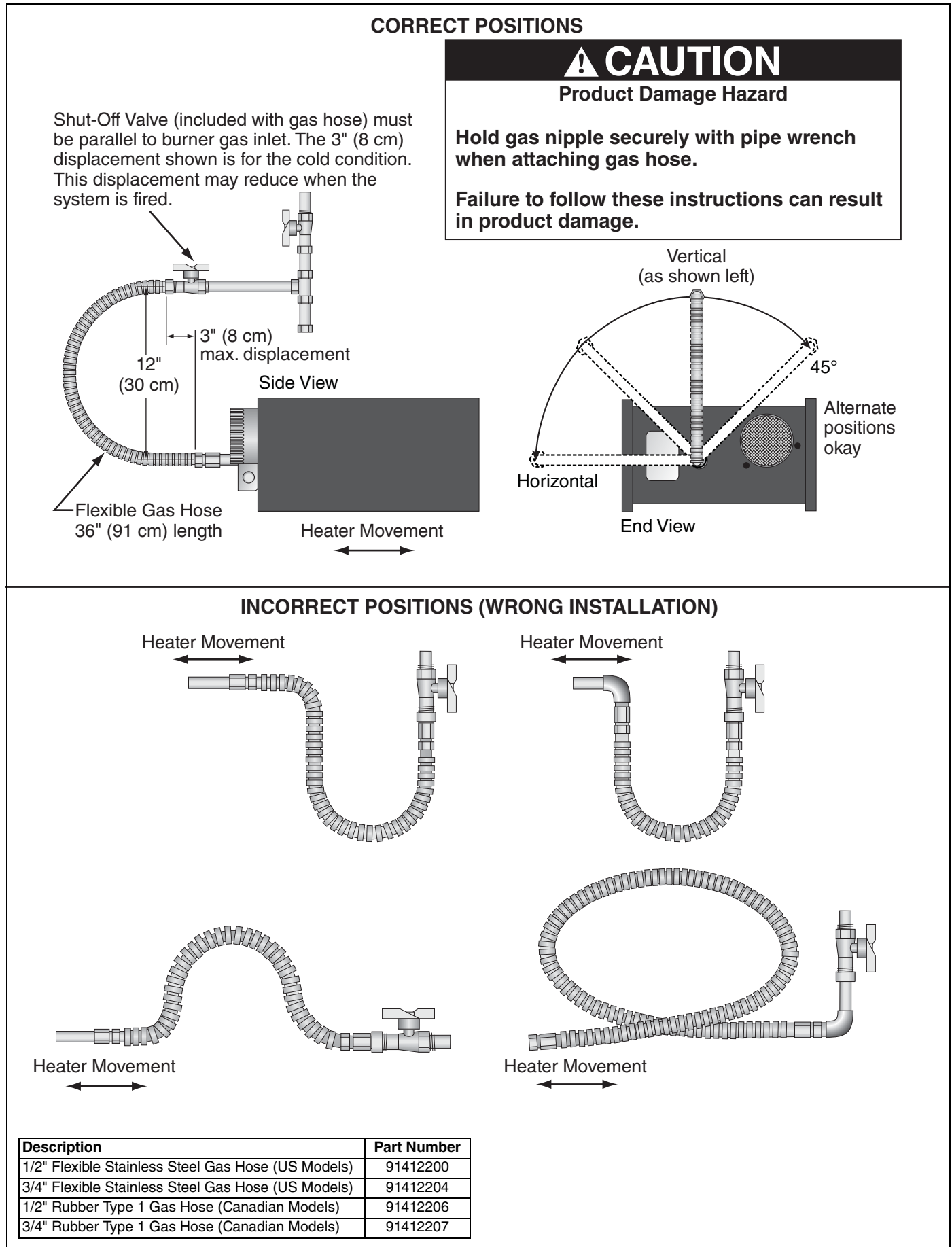
United States: The Flexible Stainless Steel Gas Hose (US models) supplied with the heater is certified per the Standard for Connectors for Gas Appliances, ANSI Z21.24/CSA 6.10 - latest revision.

Canada: The Rubber Type 1 Gas Hose (Canadian models) optional with the heater is certified as being in compliance with the Standard for Elastomeric Composite Hose and Hose Couplings for Conducting Propane and Natural Gas, CAN/CGA 8.1 - Latest revision.

- **Check the pipe and tubing ends for leaks before placing heating equipment into service. When checking for gas leaks, use a soap and water solution; never use an open flame.**

Install the gas hose as shown in *Figure 23*. The gas hose accommodates expansion of the heating system and allows for easy installation and service of the burner. Before connecting the burners to the supply system, verify that all high pressure testing of the gas piping has been completed.

FIGURE 23: Gas Connection with Flexible Gas Hose



SECTION 10: WIRING

⚠ DANGER



Electrical Shock Hazard

Disconnect electric before service.

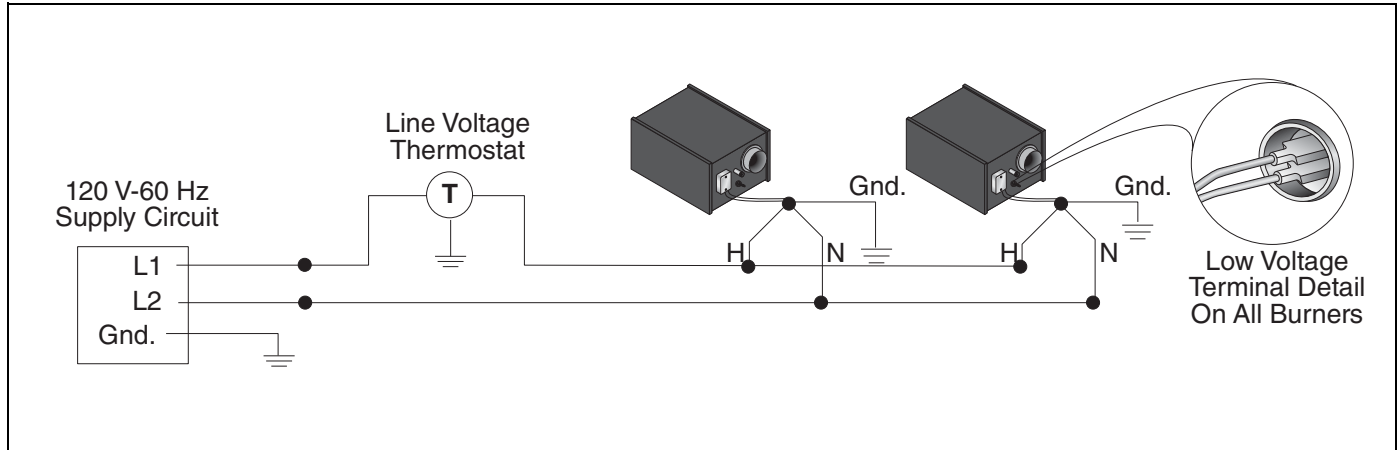
Heater must be properly grounded.

Failure to follow these instructions can result in death or electrical shock.

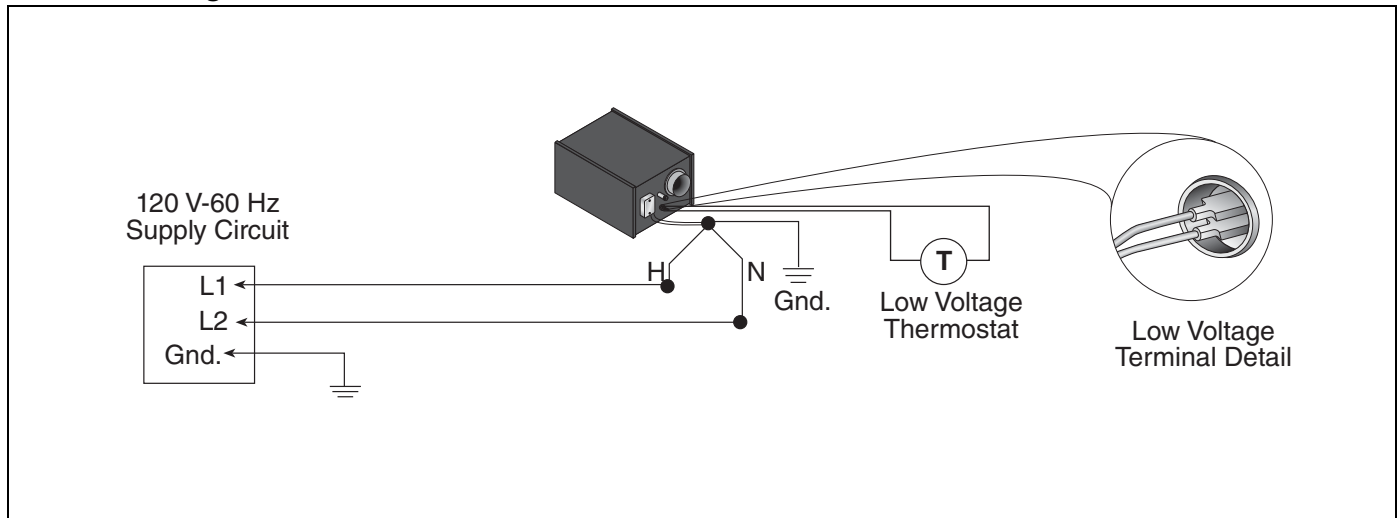
Management System. *Section 10.1* below illustrates the connection for heaters controlled by a line voltage thermostat. NOTE: In order to use line voltage thermostats, the low voltage terminal located at the back of each burner must be connected as shown in the detail. For a single heater on a low voltage thermostat, See *Section 10.2* below. To control multiple heaters on one low voltage thermostat, See *Page 43, Section 10.3*. NOTE: In order to control multiple heaters on one low voltage thermostat, the low voltage terminals on each heater must be connected as shown in detail. Heater must be grounded in accordance with applicable codes: **United States:** refer to National Electrical Code® NFPA 70 - latest revision **Canada:** refer to Canadian Electrical Code, CSA C22.1 Part I - latest revision. If any of the original internal wiring must be replaced, it must be replaced with wiring materials having a temperature rating of at least 105° C and 600 V.

Heaters can be controlled using several methods. Normally thermostats are used to control the heaters but they can also be controlled by an Energy

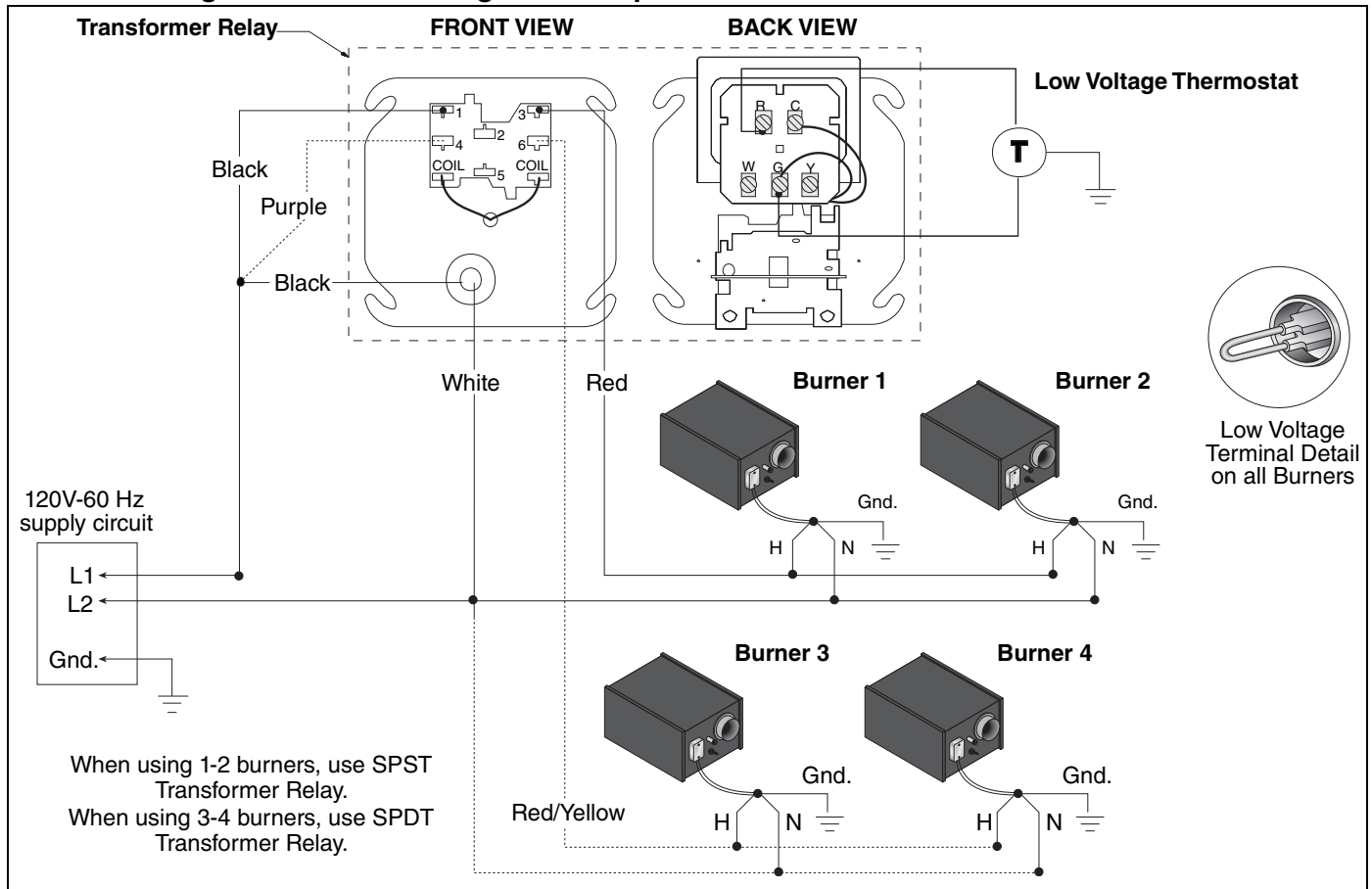
10.1 Line Voltage Thermostat Wiring



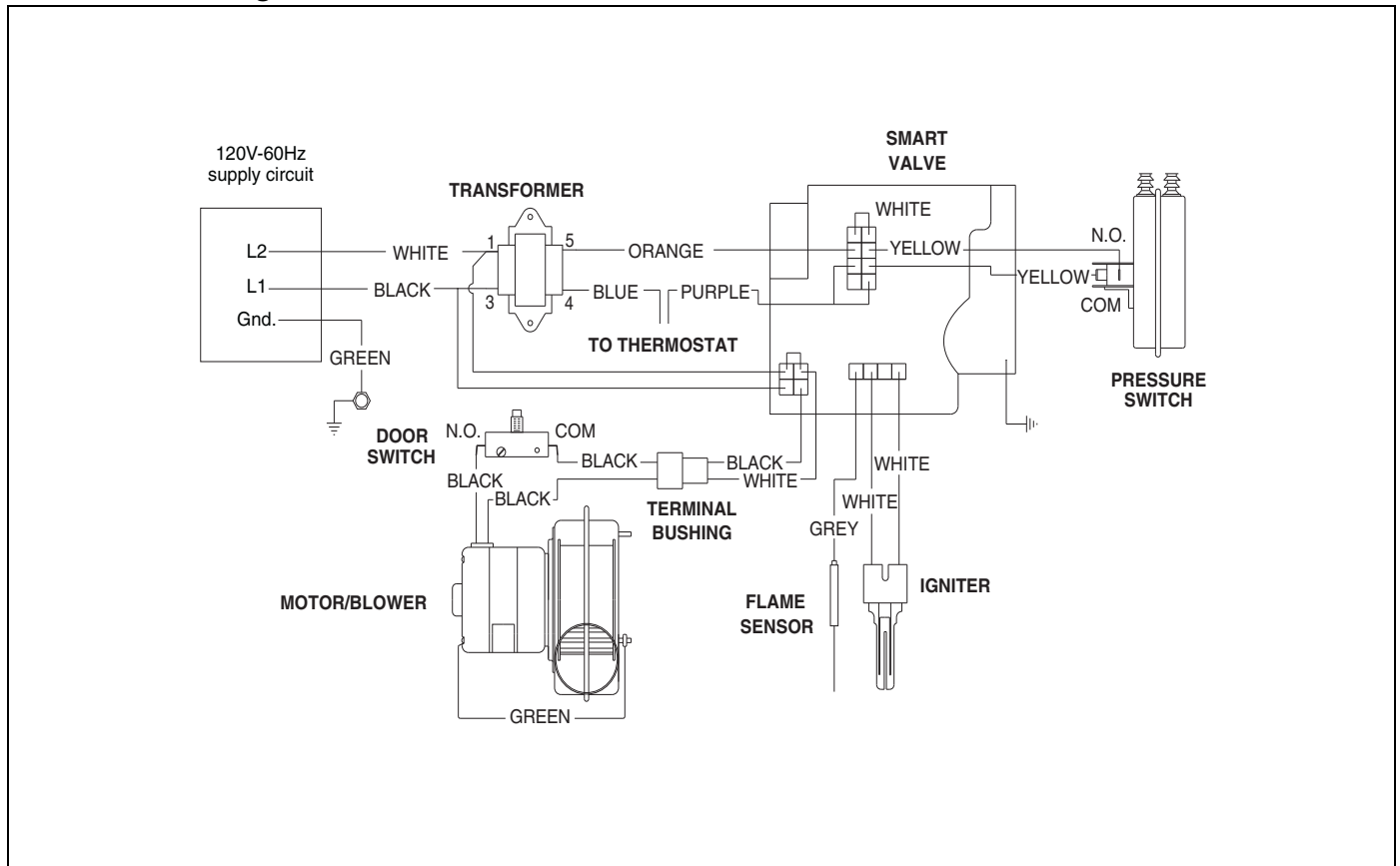
10.2 Low Voltage Thermostat with One Burner



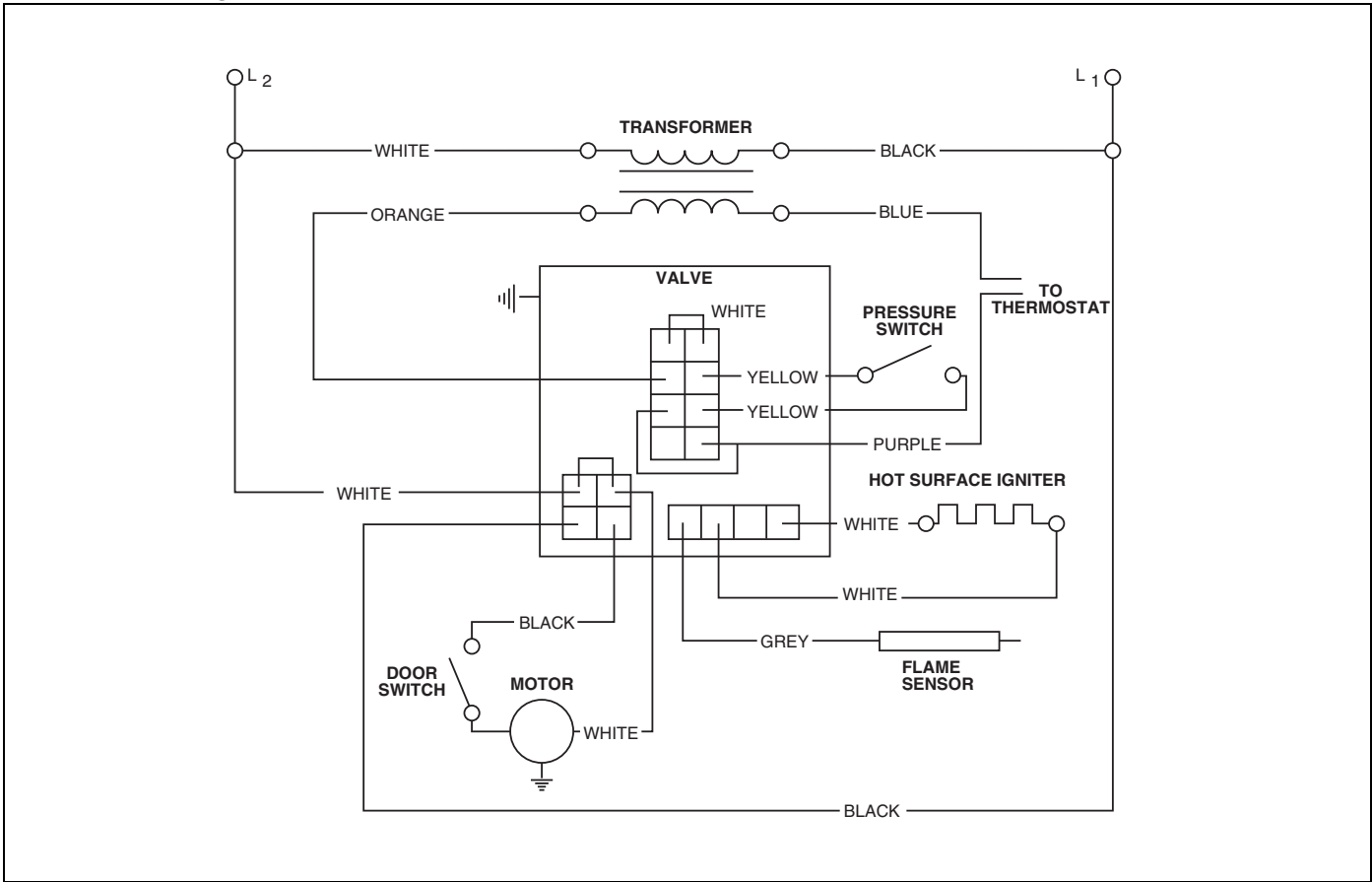
10.3 Low Voltage Thermostat Wiring with Multiple Burners



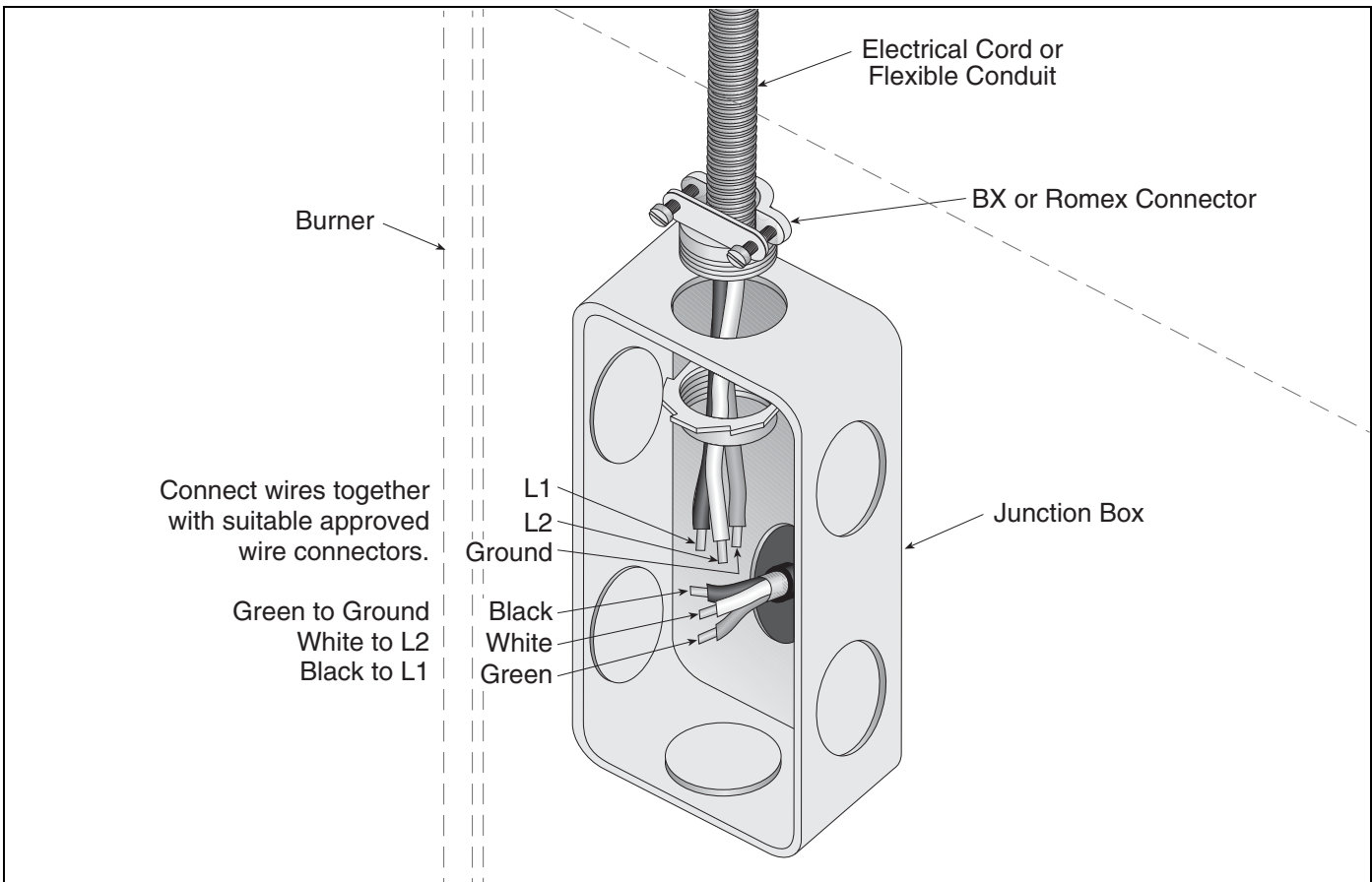
10.4 Internal Wiring







10.5 Ladder Diagram



10.6 Electrical Connection to the Burner



SECTION 11: OPERATION AND MAINTENANCE

⚠ DANGER	⚠ WARNING		
			
Electrical Shock Hazard Disconnect electric before service. Heater must be connected to a properly grounded electrical source.	Explosion Hazard Turn off gas supply to heater before service.	Burn Hazard Allow heater to cool before service. Tubing may still be hot after operation.	Cut/Pinch Hazard Wear protective gear during installation, operation and service. Edges are sharp.
Failure to follow these instructions can result in death, electric shock, injury or property damage.			

This heater is equipped with a hot-surface ignition system.

11.1 Sequence of Operation

1. Turn the thermostat up. When the thermostat calls for heat, the SmartValve® II will energize. After a short period, power is supplied to the blower motor.
2. When the motor approaches nominal running RPM, the pressure switch closes and signals the ignition module/SmartValve® II.
3. The ignition module/SmartValve® II then energizes the hot-surface igniter for a timed warm-up period (approximately 45 to 60 seconds). After the warm-up period, the gas valve is energized.
4. If a flame is detected, the gas valve remains open and the igniter is de-energized. When the call for heat is satisfied and the system control mechanism de-energizes the burner line voltage supply, the gas is turned off.
5. If no flame is detected by the flame sensing rod, the igniter is de-energized and the module/SmartValve® II will close and a purge period begins. After the purge, the module/SmartValve® II acts to power the igniter for a second warm-up period and a second trial for ignition period. If flame is still not established, a third purge, warm-up, and trial cycle begins. After four trials, the module/SmartValve® II will lockout for one hour or until reset.
6. If the flame extinguishes during operation, the igniter module will provide multiple trial sequences described in step 5. If ignition is not re-established, the module/SmartValve® II will lockout for one hour or until reset.
7. After lockout, reset by turning down thermostat for five seconds, and then raising it again to desired temperature, or by disconnecting power and then reconnecting.

11.2 To Shut Off Heater

Set thermostat to lowest setting.

Turn OFF electric power to heater.

Turn OFF manual gas valve in the heater supply line.

11.3 To Start Heater

Turn gas valve and electric power OFF and wait five minutes for unburned gases to vent from heater.

Turn ON main gas valve.

Turn ON electric power.

Set thermostat to desired temperature. Burner should light automatically.

11.4 Pre-Season Maintenance and Annual Inspection

To ensure your safety and years of trouble-free operation of the heating system, service and annual inspections must be done by a contractor qualified in the installation and service of gas-fired heating equipment.

Turn off gas and electric supplies before performing

service or maintenance. Allow heater to cool before servicing.

Before every heating season, a contractor qualified in the installation and service of gas-fired heating equipment must perform a thorough safety inspection of the heater.

For best performance, the gas, electrical, thermostat connections, tubing, venting, suspensions and overall heater condition should be thoroughly inspected.

NOTE: Gas flow and burner ignition are among the first things that should be inspected.

Please see *Page 46, Section 11.5* for suggested items to inspect.

Installation Code and Annual Inspections:

All installation and service of ROBERTS GORDON® equipment must be performed by a contractor qualified in the installation and service of equipment sold and supplied by Roberts-Gordon LLC and conform to all requirements set forth in the ROBERTS GORDON® manuals and all applicable governmental authorities pertaining to the installation, service, operation and labeling of the equipment.


To help facilitate optimum performance and safety, Roberts-Gordon LLC recommends that a qualified contractor conduct, at a minimum, annual inspections of your ROBERTS GORDON® equipment and perform service where necessary, using only replacement parts sold and supplied by Roberts-Gordon LLC





11.5 Maintenance Checklist

The Vicinity of the Heater	<p>Do not store or use flammable objects, liquids or vapors near the heater. Immediately remove these items if they are present.</p> <p><i>See Page 5, Section 3.</i></p>
Vehicles and Other Objects	<p>Maintain the clearances to combustibles.</p> <p>Do not hang anything from, or place anything on, the heater.</p> <p>Make sure nothing is lodged underneath the reflector, in between the tubes or in the decorative or protective grilles (included with select models).</p> <p>Immediately remove objects in violation of the clearances to combustibles.</p> <p><i>See Page 5, Section 3.</i></p>
Reflector	<p>Support reflector with reflector hanger and support strap.</p> <p>Reflector must not touch tube.</p> <p>Make sure there is no dirt, sagging, cracking or distortion.</p> <p>Do not operate if there is sagging, cracking or distortion.</p> <p>Make sure reflectors are correctly overlapped. <i>See Page 22, Section 6.5.1.</i></p> <p>Clean outside surface with a damp cloth.</p>
Vent Pipe	<p>Venting must be intact. Using a flashlight, look for obstructions, cracks on the pipe, gaps in the sealed areas or corrosion.</p> <p>The area must be free of dirt and dust. Clean as required.</p> <p>Remove any carbon deposits or scale using a wire brush.</p> <p><i>See Page 34, Section 8.</i></p>
Outside Air Inlet	<p>Inlet must be intact. Look for obstructions, cracks on the pipe, gaps in the sealed areas or corrosion.</p> <p>The area must be free of dirt and dust. Clean and reinstall as required.</p>
Tubes	<p>Make sure there are no cracks.</p> <p>Make sure tubes are connected and suspended securely.</p> <p><i>See Page 13, Section 6.</i></p> <p>Make sure there is no sagging, bending or distortion.</p> <p>Clean or replace as required.</p>

Gas Line	Check for gas leaks. <i>See Page 40, Section 9.</i>
Burner Observation Window	Make sure it is clean and free of cracks or holes. Clean and replace as required.
Blower Scroll, Wheel and Motor	Compressed air or a vacuum cleaner may be used to clean dust and dirt.
Burner Cup and Orifice	Clear of obstructions (even spider webs will cause problems). Carefully remove any dust and debris from the burner.
Hot-Surface Igniter	Replace if cracked or broken.
Thermostat	There should be no exposed wire or damage to the thermostat. <i>See Page 42, Section 10.</i>
Suspension Points	Make sure the heater is hanging securely. Look for signs of wear on the chain or ceiling. <i>See Page 14, Figure 14.</i>
Decorative and Protective Grille (optional)	The grille must be securely attached. Check that the side reflector extensions are installed correctly and secured in place if necessary. (Decorative grille only.) <i>See Page 31, Section 7.5 and Page 33, Section 7.6.</i> Make sure shield is installed correctly and secured in place if necessary. (Decorative grille only.) <i>See Page 32, Section 7.5.2.</i>
Lower Clearance Shield (optional)	The lower shield must be securely attached. Inspect shield support straps and lower clearance shield anchor points. <i>See Page 31, Section 7.4.</i> Make sure shield is installed correctly and secured in place if necessary. <i>See Page 31, Section 7.4.</i>
Wall Tag	If wall tag is present, make sure it is legible and accurate. Please contact Roberts-Gordon LLC or your ROBERTS GORDON® independent distributor, if you need a wall tag. <i>See Page 4, Section 2.1.</i>
Safety Labels	Product safety signs or labels should be replaced by the product user when they are no longer legible. Please contact Roberts-Gordon LLC or your ROBERTS GORDON® independent distributor to obtain replacement signs or labels. <i>See Page 2, Figure 1 through Page 3, Figure 2.</i>

SECTION 12: TROUBLESHOOTING

⚠ DANGER

Electrical Shock Hazard
<p>Disconnect electric before service.</p> <p>Heater must be properly grounded.</p> <p>Failure to follow these instructions can result in death or electrical shock.</p>

⚠ WARNING			
			
Fire Hazard	Explosion Hazard	Burn Hazard	Cut/Pinch Hazard
<p>Keep all flammable objects, liquids and vapors the minimum required clearances to combustibles away from heater.</p> <p>Some objects will catch fire or explode when placed close to heater.</p>	<p>Turn off gas supply to heater before service.</p>	<p>Allow heater to cool before service.</p> <p>Tubing may still be hot after operation.</p>	<p>Wear protective gear during installation, operation and service.</p> <p>Edges are sharp.</p>
Failure to follow these instructions can result in death, injury or property damage.			

12.1 Honeywell SmartValve® II Troubleshooting

This heater is supplied with the Honeywell SmartValve® II control system. This system is equipped with a diagnostic function that will assist in performing troubleshooting. The LED (Light Emitting Diode) indicator at the top of the SmartValve® II control will flash in various patterns to indicate status. The LED status indication chart provided below gives a summary of possible faults.

LED Status	Indicates
Off	No power to the control
Bright-Dim	Normal Operation. This indication shows whenever the system is powered, unless some abnormal event has occurred.
2 Flashes	Pressure switch remains closed longer than 30 seconds after a call for heat begins (pressure switch stuck closed). The SmartValve® II checks the status of the pressure switch contacts and must see a change in the contact with every firing cycle. Placing a jumper at the switch out of sequence will result in a fault, with the LED indicator flashing 2 times.
3 Flashes	Pressure switch remains open longer than 30 seconds after combustion air blower is energized. Check for correct blower operation, blower intake obstructions, pressure switch tubing and wiring.
4 Flashes	Limit string open, 2" white jumper wire on valve is loose.
5 Flashes	Flame signal sensed out of proper sequence.
6 Flashes	System Lockout. Flame sensing circuit is not functioning properly. Perform the checks following the "Does the burner stay lit?" bubble in the troubleshooting flow chart on Page 50, Section 12.2.

WARNING



Electrical Shock Hazard

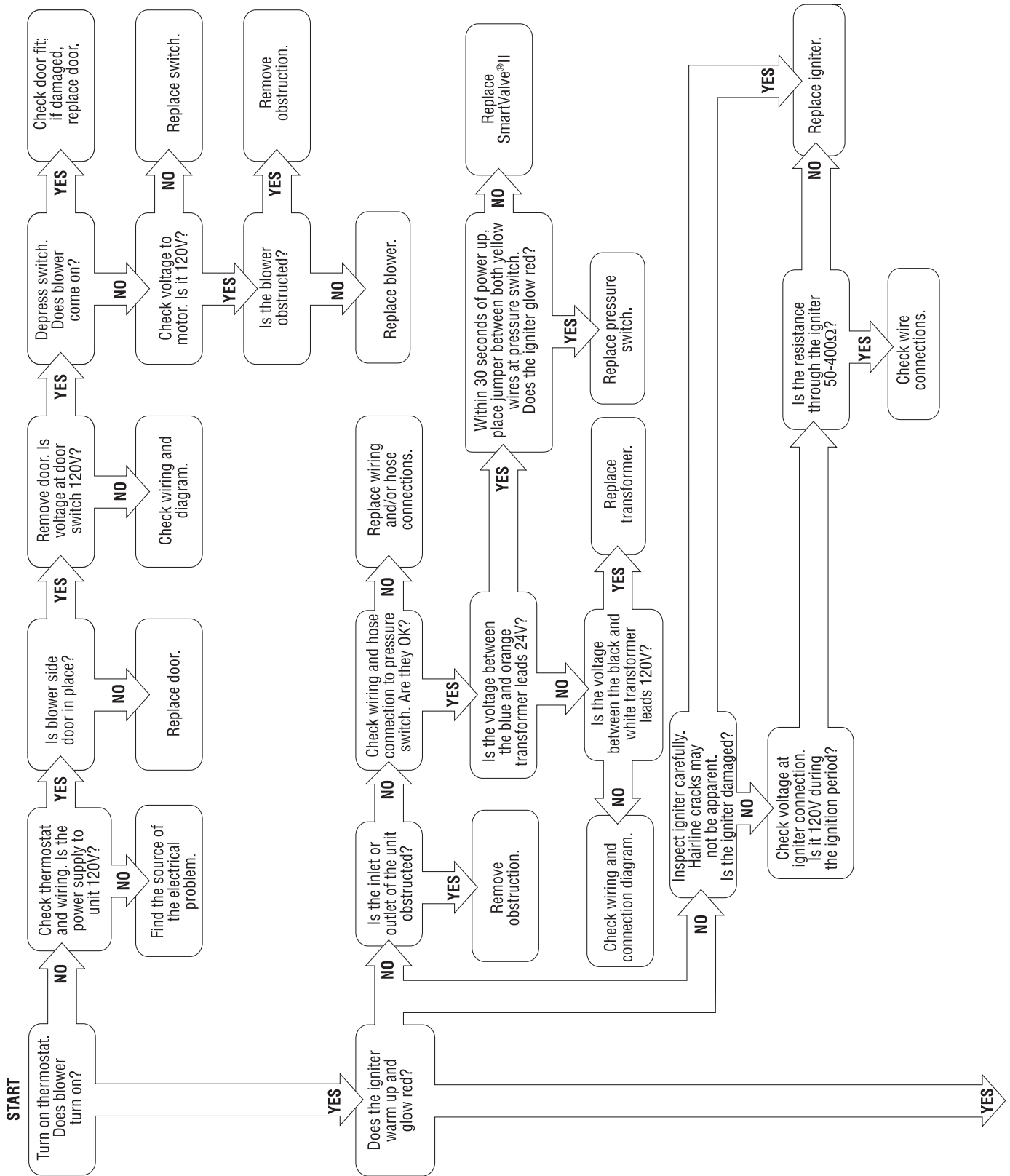
Do not disconnect ground leads inside heater.

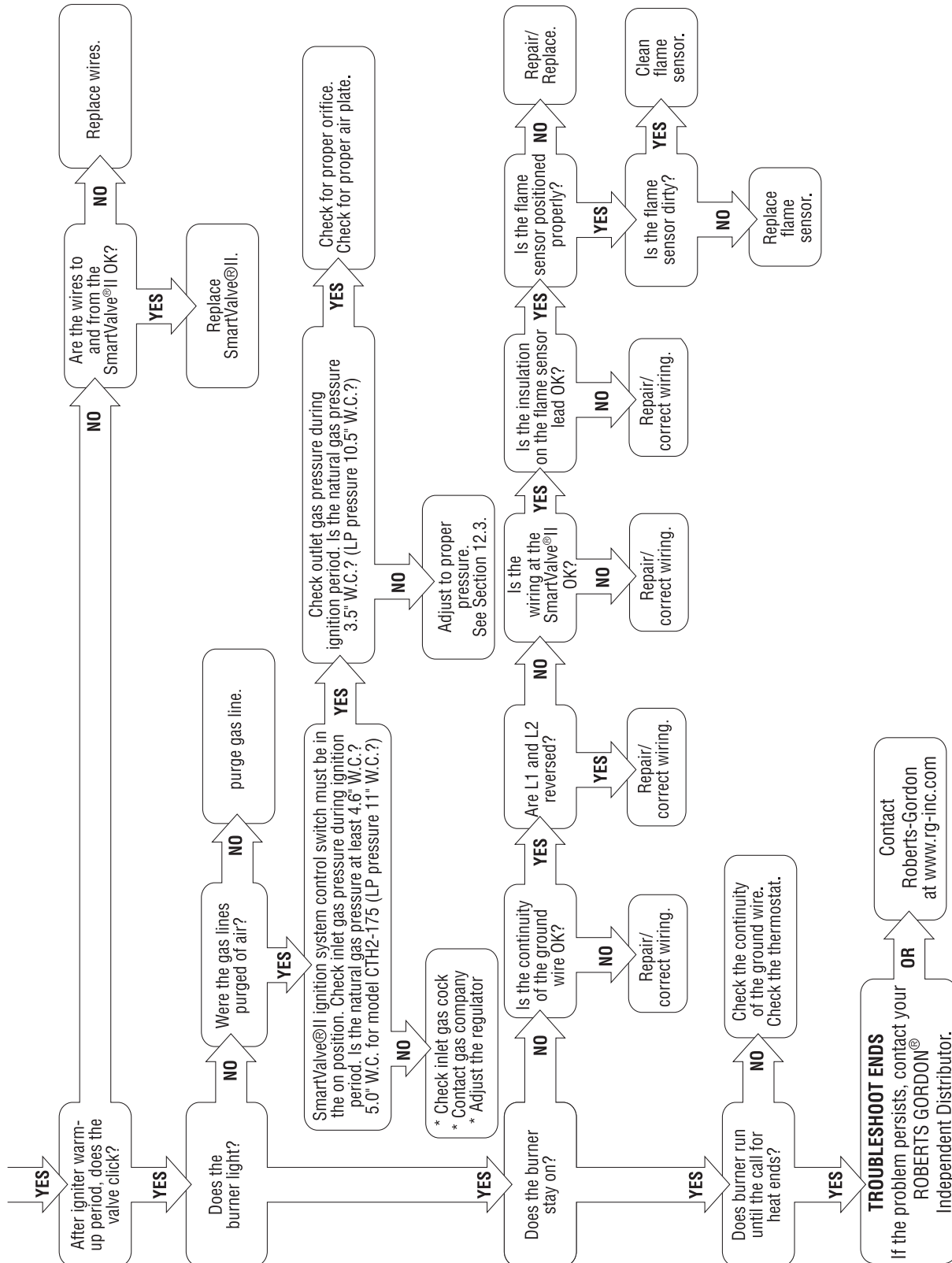
Do not interchange grounded and ungrounded leads on transformer or ignition module.

Failure to follow these instructions can result in death or electrical shock.

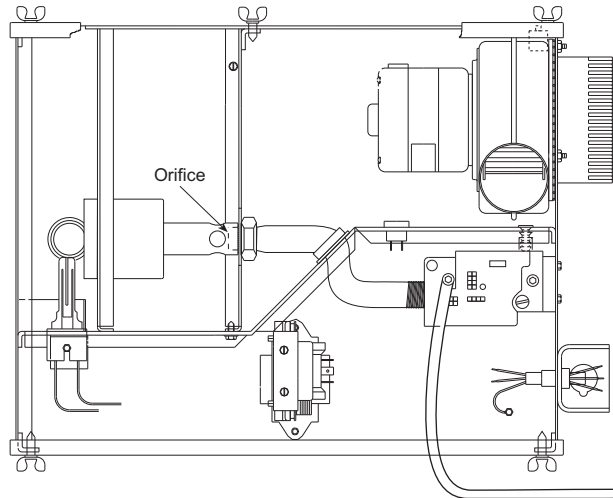
Page 52, Section 12.3 will provide the information needed to test the manifold gas pressure setting. Page 50, Section 12.2 will guide you through several troubleshooting steps to determine possible problems with the systems.

12.2 Troubleshooting Flow Chart



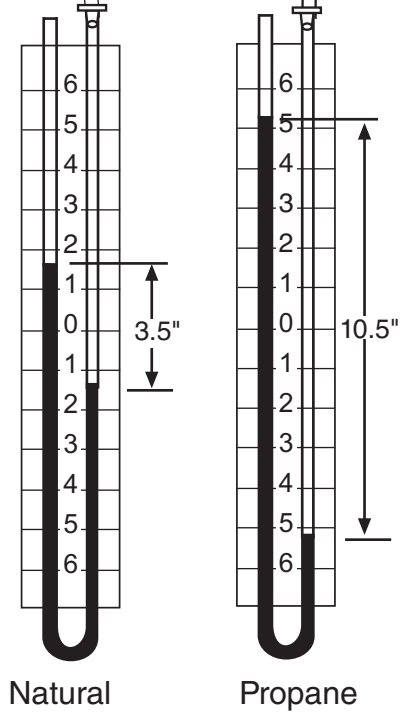


12.3 Manifold Gas Pressure Setting



Top View of Heater

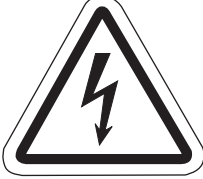



Manometer

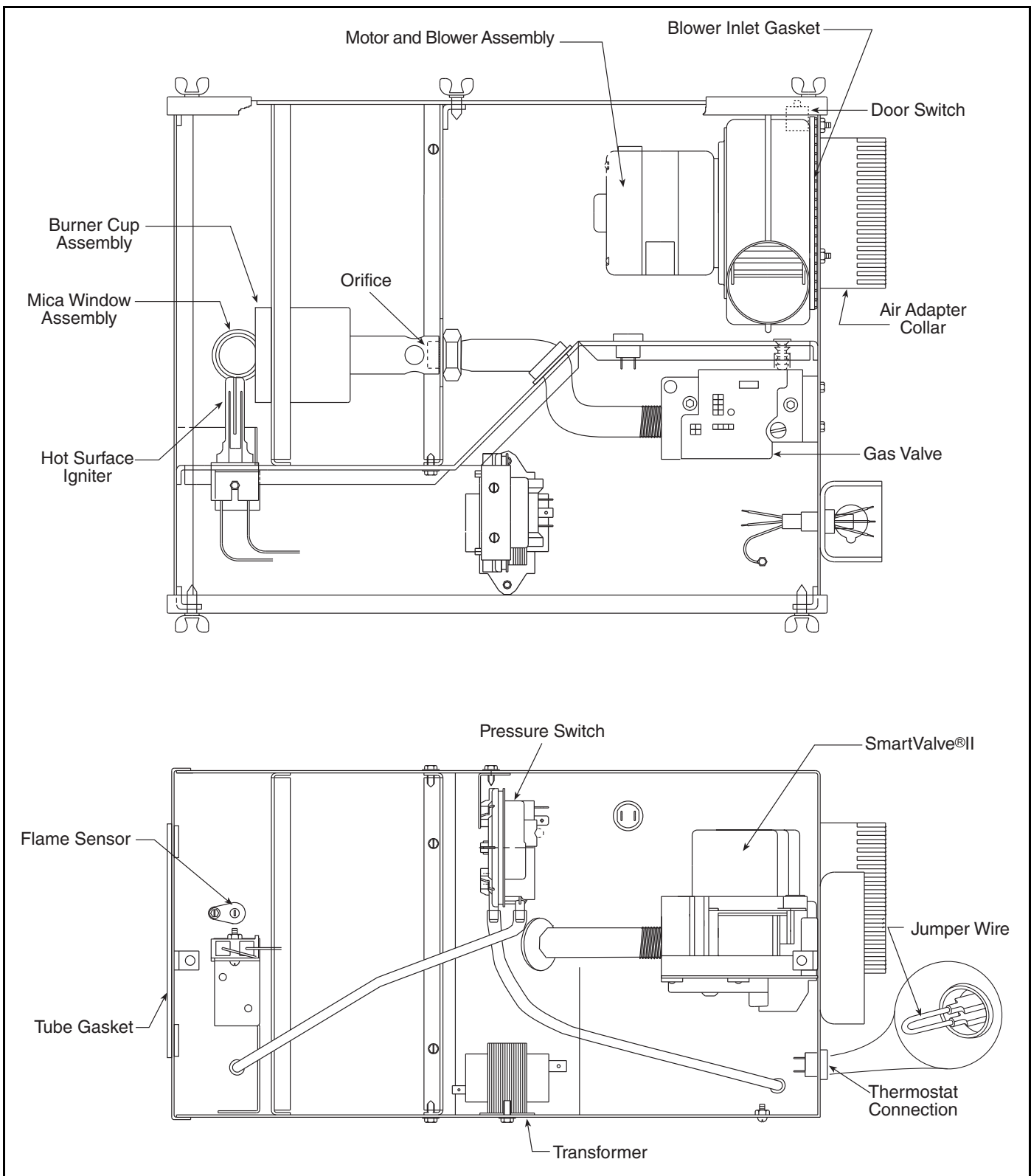


Natural

Propane

SECTION 13: REPLACEMENT PARTS

⚠ DANGER		⚠ WARNING	
			
Electrical Shock Hazard	Explosion Hazard	Fire Hazard	Carbon Monoxide Hazard
Use only genuine ROBERTS GORDON® replacement parts per this installation, operation and service manual.			
Failure to follow these instructions can result in death, electric shock, injury or property damage.			



Description	Part Number
Gas Valve (Natural)	90068300
Gas Valve (LP)	90068302
Tube Gasket	02568200
Blower Inlet Gasket	03050900
Motor and Blower Assembly	90708600-P
Air Adapter Collar	91911700
Door Switch	90436800
Burner Cup Assembly	03020100
Hot Surface Igniter	90436603K
Mica Window Assembly	02553203
Flame Sensor	90439300
Transformer	90436900K
Thermostat Connection	91317900
Jumper Wire	03090900
Pressure Switch:	
(175)	90439802K
(100)	90439803K
(80,150)	90439810K
(40, 60, 125)	90439805K

SECTION 14: GENERAL SPECIFICATIONS

14.1 Material Specifications

14.1.1 Reflectors

.024 Aluminum
(optional .024 Stainless Steel Type 304)

14.2 Heater Specifications

14.2.1 Ignition

Honeywell® SmartValve® II combines gas valve and hot surface electronic ignition control. Fully automatic, four-try, 100% shut-off, prepurge, auto reset, LED indicator status.

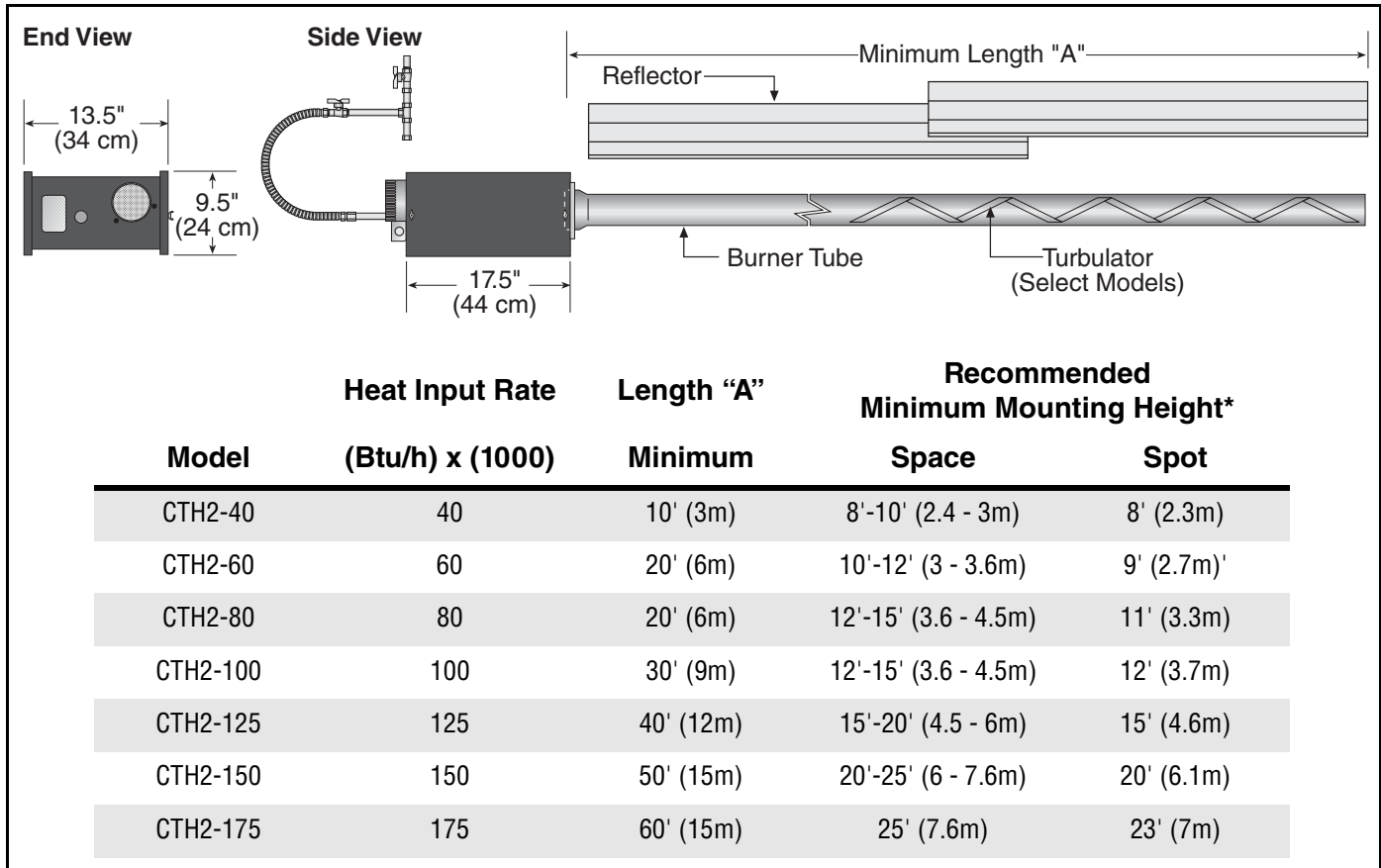
14.3 Suspension Specifications

Hang heater with materials with a minimum working load of 75 lbs (33 kg). See Page 14, Figure 14.

14.4 Controls Specifications

Time switches, thermostats, etc. can be wired into the electrical supply. External controls supplied as an optional extra.

General Specifications for the heaters are as follows:



*See Page 5, Section 3 for clearances to combustibles.

GAS PRESSURE AT MANIFOLD:

Natural Gas: 3.5" wc
LP Gas: 10.5" wc

PIPE CONNECTION:

1/2" NPT (for 40, 60, 80, 100, 125)
3/4" NPT (for 150 & 175)

DIMENSIONS:

Vent Connection Size: 4" (10 cm)
Outside Air Connection Size: 4" (10 cm)
Refer to figure above for dimensional information.

GAS INLET PRESSURE:

Natural Gas:
for 40,60,80,100,125,150 4.6" wc Minimum
for 175 5.0" wc Minimum
14.0" wc Maximum
LP Gas:
11.0" wc Minimum
14.0" wc Maximum

ELECTRICAL RATING (ALL MODELS):

120 V - 60 Hz., 1.0 A (run) 5.0 A (Start)

SECTION 15: THE ROBERTS GORDON® VANTAGE® II WARRANTY**ROBERTS-GORDON WILL PAY FOR:**

Within 36 months from date of purchase by buyer or 42 months from date of shipment by Roberts-Gordon LLC (whichever occurs first), replacement parts will be provided free of charge for any part of the product which fails due to a manufacturing or material defect.

Roberts-Gordon LLC will require the part in question to be returned to the factory. Roberts-Gordon LLC will, at its sole discretion, repair or replace after determining the nature of the defect and disposition of part in question.

ROBERTS GORDON® Replacement Parts are warranted for a period of 12 months from date of shipment from Roberts-Gordon LLC or the remaining ROBERTS GORDON® VANTAGE® II warranty.

ROBERTS-GORDON WILL NOT PAY FOR:

Service trips, service calls and labor charges.

Shipment of replacement parts.

Claims where the total price of the goods have not been paid.

Damage due to:

- Improper installation, operation or maintenance.
- Misuse, abuse, neglect, or modification of the ROBERTS GORDON® VANTAGE® II in any way.
- Use of the ROBERTS GORDON® VANTAGE® II for other than its intended purpose.
- Incorrect gas or electrical supply, accident, fire, floods, acts of God, war, terrorism, or other casualty.
- Improper service, use of replacement parts or accessories not specified by Roberts-Gordon.
- Failure to install or maintain the ROBERTS GORDON® VANTAGE® II as directed in the Installation, Operation and Service manual.
- Relocation of the ROBERTS GORDON® VANTAGE® II after initial installation
- The use of the ROBERTS GORDON® VANTAGE® II in a corrosive atmosphere containing contaminants.
- The use of the ROBERTS GORDON® VANTAGE® II in the vicinity of a combustible or explosive material.
- Any defect in the ROBERTS GORDON® VANTAGE® II arising from a drawing, design, or specification supplied by or on behalf of the consumer.
- Damage incurred during shipment. Claim must be filed with carrier.

WARRANTY IS VOID IF:

The ROBERTS GORDON® VANTAGE® II is not installed by a contractor qualified in the installation and service of gas fired heating equipment.

You cannot prove original purchase date and required annual maintenance history.

The data plate and/or serial number are removed, defaced, modified or altered in any way.

The ownership of the ROBERTS GORDON® VANTAGE® II is moved or transferred. This warranty is nontransferable.

Roberts-Gordon is not permitted to inspect the damaged controller and/or component parts.

READ YOUR INSTALLATION, OPERATION AND SERVICE MANUAL

If you have questions about your controller, contact your installing professional. Should you need Replacement Parts or have additional questions, call or write:

Roberts-Gordon LLC

1250 William Street

P.O. Box 44

Buffalo, New York 14240-0044

Telephone: +1.716.852.4400

Fax: +1.716.852.0854

Toll Free: 800.828.7450

www.rg-inc.com

www.radiantheaters.com

Roberts-Gordon LLC's liability, and your exclusive remedy, under this warranty or any implied warranty (including the implied warranties of merchantability and fitness for a particular purpose) is limited to providing replacement parts during the term of this warranty. Some jurisdictions do not allow limitations on how long an implied warranty lasts, so this limitation may not apply to you. There are no rights, warranties or conditions, expressed or implied, statutory or otherwise, other than those contained in this warranty.

Roberts-Gordon LLC shall in no event be responsible for incidental or consequential damages or incur liability for damages in excess of the amount paid by you for the ROBERTS GORDON® VANTAGE® II. Some jurisdictions do not allow the exclusion or limitation of incidental or consequential damages, so this limitation or exclusion may not apply to you. This warranty gives you specific legal rights, and you may also have other rights which vary from jurisdiction to jurisdiction.

Roberts-Gordon shall not be responsible for failure to perform under the terms of this warranty if caused by circumstances out of its control, including but not limited to war, fire, flood, strike, government or court orders, acts of God, terrorism, unavailability of supplies, parts or power. No person is authorized to assume for Roberts-Gordon any other warranty, obligation or liability.

LIMITATIONS ON AUTHORITY OF REPRESENTATIVES:

No representative of Roberts-Gordon LLC, other than an Executive Officer, has authority to change or extend these provisions. Changes or extensions shall be binding only if confirmed in writing by Roberts-Gordon LLC's duly authorized Executive Officer.



OWNER WARRANTY REGISTRATION CARD

Mail or Fax to:
Roberts Gordon LLC • 1250 William Street, P.O. Box 44 • Buffalo, NY 14240-0044 • Phone: 716-852-4400 • Fax: 716-852-0854
Toll Free: 800-828-7450 • www.rg-inc.com

About the Owner:

Name: _____
Address: _____ City: _____ State: _____ Zip Code: _____
Phone: _____ Fax: _____ E-mail: _____

About the Installer:

Name: _____
Address: _____ City: _____ State: _____ Zip Code: _____
Phone: _____ Fax: _____ E-mail: _____

Purchased From (if different than installer):

Name: _____
Address: _____ City: _____ State: _____ Zip Code: _____
Phone: _____ Fax: _____ E-mail: _____

About your Heater:

Model#: _____ Serial #: _____ Fuel: _____ Installation Date: _____

Type of Installation (check one):

- Automotive Manufacturing Warehouse Recreational Aircraft
- Public Building Office Retail Agricultural Other _____

Installation Code and Annual Inspections: All installation and service of ROBERTS GORDON® equipment must be performed by a contractor qualified in the installation and service of equipment sold and supplied by Roberts-Gordon LLC and conform to all requirements set forth in the ROBERTS GORDON® manuals and all applicable governmental authorities pertaining to the installation, service, operation and labeling of the equipment.

To help facilitate optimum performance and safety, Roberts-Gordon LLC recommends that a qualified contractor conduct, at a minimum, annual inspections of your ROBERTS GORDON® equipment and perform service where necessary, using only replacement parts sold and supplied by Roberts-Gordon LLC.

These products are not for residential use.

This product is intended to assist licensed professionals in the exercise of their professional judgment.

© 2012 Roberts-Gordon LLC - All rights reserved. No part of this work covered by the copyrights herein may be reproduced or copied in any form or by any means – graphic, electronic, or mechanical, including photocopying, recording, taping, or information storage and retrieval systems – without written permission of Roberts Gordon LLC. Printed in the U.S.A.

Attach this information to a wall near the ROBERTS GORDON[™] heater.



Read the Installation, Operation, and Service Manual thoroughly before installation, operation, or service.

Know your model number and installed configuration.

Model number and installed configuration are found on the burner and in the Installation, Operation and Service Manual.

Write the largest clearance dimensions with permanent ink according to your model number and configuration in the open spaces below.

OPERATING INSTRUCTIONS

1. STOP! Read all safety instructions on this information sheet.
2. Open the manual gas valve in the heater supply line.
3. Turn on electric power to the heater.
4. Set the thermostat to desired setting.

TO TURN OFF THE HEATER

1. Set the thermostat to off or the lowest setting.

IF THE HEATER WILL NOT OPERATE, TO ENSURE YOUR SAFETY, FOLLOW THESE INSTRUCTIONS TO SHUT DOWN YOUR HEATER

1. Set the thermostat to off or the lowest setting.
2. Turn off electric power to the heater.
3. Turn off the manual gas valve in the heater supply line.
4. Call your registered installer/contractor qualified in the installation and service of gas-fired heating equipment.

⚠ WARNING



Fire Hazard

Keep all flammable objects, liquids and vapors the minimum required clearances to combustibles away from heater.

Some objects will catch fire or explode when placed close to heater.

Failure to follow these instructions can result in death, injury or property damage.

**Maintain _____ clearance
to the side and
_____ clearance below
the heater from vehicles
and combustible materials.**

Roberts-Gordon LLC
1250 William Street
P.O. Box 44
Buffalo, NY 14240-0044 USA
Telephone: +1.716.852.4400
Fax: +1.716.852.0854
Toll Free: 800.828.7450

Roberts-Gordon Europe Limited
Unit A, Kings Hill Business Park
Darlaston Road, Wednesbury
West Midlands WS10 7SH UK
Telephone: +44 (0)121 506 7700
Fax: +44 (0)121 506 7701

Service Telephone: +44 (0)121 506 7709
Service Fax: +44 (0)121 506 7702
E-mail: uksales@rg-inc.com
E-mail: export@rg-inc.com

Installation Code and Annual Inspections:

All installation and service of ROBERTS GORDON[®] equipment must be performed by a contractor qualified in the installation and service of equipment sold and supplied by Roberts-Gordon and conform to all requirements set forth in the ROBERTS GORDON[®] manuals and all applicable governmental authorities pertaining to the installation, service, operation and labeling of the equipment. To help facilitate optimum performance and safety, Roberts-Gordon recommends that a qualified contractor conduct, at a minimum, annual inspections of your ROBERTS GORDON[®] equipment and perform service where necessary, using only replacement parts sold and supplied by Roberts-Gordon.

Further Information: Applications, engineering and detailed guidance on systems design, installation and equipment performance is available through ROBERTS GORDON[®] representatives. Please contact us for any further information you may require, including the Installation, Operation and Service Manual.

This product is not for residential use.

© 2012 Roberts-Gordon LLC All rights reserved. No part of this work covered by the copyrights herein may be reproduced or copied in any form or by any means – graphic, electronic, or mechanical, including photocopying, recording, taping, or information storage and retrieval systems – without written permission of Roberts-Gordon LLC.