

CORAYVAC[®] AND COMPLETE[™] MODULATING HEATING CONTROL

Modulating, Zoning
and Building
Automation Systems



Enhanced Controls for Increased Energy Efficiency

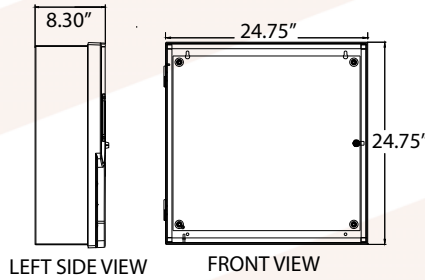
- CORAYVAC[®] Modulating Heating control provides additional fuel savings by measuring outdoor air temperature to match system input to the building heat-loss
- Capable of operating up to two heating systems and four heating zones
- Total heating system management through touchscreen, off-site connectivity, or pre-programmed thermostats
- Durable enclosures for increased longevity



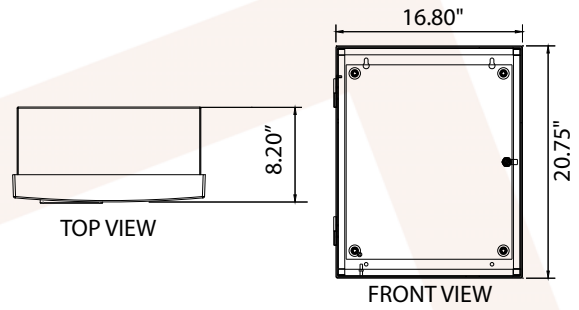
www.robertsgordon.com

THE INDUSTRY LEADER
RADIANT
EFFICIENCY[™]

ROBERTS GORDON® THE EXCLUSIVE PRODUCER OF CORAYVAC™



CORAYVAC® MODULATING HEATING CONTROL
[70 lbs.] [31.7 kg.]



COMPLETE™ MODULATING HEATING CONTROL
[40 lbs.] [18.1 kg.]

MODULATING HEATING CONTROLS	
Controller Electrical Rating	120 V (+/- 10%) 1ø, 60Hz, 20 Amps (controller ONLY, VFD powered separate of controller)
Construction	14 gauge powder coated steel, hinged door, removable knockouts
Control Board Operating Temperature Range	-20 °F to 140 °F (-29° to 60°C); 10 to 95% relative humidity, non-condensing
Zoning Capabilities	Up to 4 Zones per controller Up to 2 ROBERTS GORDON® infrared heating systems (Any combination of CORAYVAC® system(s), or unitary heater(s)) per controller
Status Indication	6 - visual (LED) status of power to 4 - zones and 2 - systems
Listing	
Enclosure	508A, UL Type 1
Control Board	UL-916 (Canadian Std C22.2 No. 205-M1983), CE, FCC Part 15-Subpart B - Class A. BTL (BACnet Test Labs) - BACnet Building Controller (B-BC) - BTL Listed Product http://www.bacnetinternational.net/btl/index.php?m=47
Touchscreen	
Display	4.3 in. resistive touchscreen color LCD display with backlighting
Real-Time Clock	A 365-day real time clock/calendar chip
Listing	C UL US Listed 88F0, E143900, Type 1304TS
Communication Ports	
Port 1	Configurable for ARC156 or EIA-485 (2-wire). Built-in support for BACnet (MS/TP or ARC156), N2, and Modbus
Port 2a	Configurable for EIA-232 or EIA-485 (2-wire or 4-wire). Network protocol selectable for BACnet (MS/TP or PTP), Modbus, N2, LonWorks SLTA, or modem
Port 2b	For LonWorks option Card. Rnet port: Interface with a BACview5, BACview6, RS sensors, or local laptop and Equipment Touch
Battery	CR123A, 10 year life, 720 cumulative hours of power outage. NOTE: Battery for time keeping purposes and saving trend data during power outages.
Universal Inputs	Twelve universal inputs: 0-5 VDC; 0-10 VDC; 0-20 mA; Thermistor (10k ohm type II); 1K ohm RTD; Dry Contact
Universal Outputs	Eight universal outputs: 0-10 VDC; 0-20 mA; Relay; HOA (hand/off/auto) switches for all outputs
Analog Outputs	6 analog outputs; AO's 1 and 2 are configurable for 0-10 V or 0-20 mA; AO's 3 through 6 are 0-10 V only
Optional Card Port	Port 2b: LonWorks Option Card for connection to Free Topology LON networks (TP/FT-10 chan.)
Protocols	<ul style="list-style-type: none"> • BACnet over ARC156 • BACnet MS/TP • BACnet PTP • BACnet over IP • BACnet over Ethernet • Modbus • N2 • LonWorks (LonWorks card required)
Temperature Units	°F
VFD Electrical Rating	1HP VFD, 115V, 60Hz, 1ø, 4.3A 1HP VFD, 230V, 60Hz, 1ø, 4.3A 2HP VFD, 230V, 60Hz, 1ø, 7A 1HP VFD, 460V, 60Hz, 3ø, 2.2A 2HP VFD, 460V, 60Hz, 3ø, 4.1A 1HP VFD, 230V, 60Hz, 3ø, 4.3A 2HP VFD, 230V, 60Hz, 3ø, 7A (VFD ONLY, Controller powered separate of VFD)

Roberts-Gordon, LLC
1250 William Street
P.O. Box 44
Buffalo, NY 14240-0044 USA
Telephone: 716.852.4400
www.robertsgordon.com

Further Information: Applications, engineering and detailed guidance on systems design, installation and product performance is available through ROBERTS GORDON® representatives. Please contact us for any further information you may require, including the Installation, Operation and Service Manual.

This product is not for residential use.
This document is intended to assist licensed professionals in the exercise of their professional judgement.