

# Blackheat™ BH

## The Economical Unitary Infrared Heater

### Installation, Operation & Service Manual

**BH-40****BH-125****BH-60****BH-140****BH-80****BH-150****BH-100****BH-175****BH-115****BH-200****FOR YOUR SAFETY***If you smell gas:*

1. Open windows.
2. **DO NOT** try to light any appliance.
3. **DO NOT** use electrical switches.
4. **DO NOT** use any telephone in your building.
5. Extinguish any open flame.
6. Leave the building.
7. Immediately call your local gas supplier after leaving the building. Follow the gas supplier's instructions.
8. If you cannot reach your gas supplier, call the Fire Department.

**⚠ WARNING****Fire Hazard**

Keep all flammable objects, liquids and vapors the minimum required clearances to combustibles away from heater.

Some objects will catch fire or explode when placed close to heater.

Failure to follow these instructions can result in death, injury or property damage.

**⚠ WARNING**

Improper installation, adjustment, alteration, service or maintenance can result in death, injury or property damage. Read the Installation, Operation and Service Manual thoroughly before installing or servicing this equipment.

Installation must be done by a contractor qualified in the installation and service of gas-fired heating equipment or your gas supplier.

**Installer**

Please take the time to read and understand these instructions prior to any installation. Installer must give a copy of this manual to the owner.

**Owner**

Keep this manual in a safe place in order to provide your serviceman with necessary information.

**Roberts-Gordon LLC**

1250 William Street  
P.O. Box 44  
Buffalo, New York 14240-0044  
Telephone: +1.716.852.4400  
Fax: +1.716.852.0854  
Toll Free: 800.828.7450

[www.rg-inc.com](http://www.rg-inc.com)  
[www.radiantheaters.com](http://www.radiantheaters.com)



## TABLE OF CONTENTS

<b>SECTION 1: Heater Safety</b> .....	1	8.11 Outside Combustion Air Supply .....	39
1.1 Manpower Requirements .....	1	<b>SECTION 9: Gas Piping</b> .....	<b>41</b>
1.2 Safety Labels and Their Placement .....	1	<b>SECTION 10: Wiring</b> .....	<b>43</b>
1.3 California Proposition 65 .....	1	10.1 Line Voltage Thermostat Wiring.....	43
<b>SECTION 2: Installer Responsibility</b> .....	<b>4</b>	10.2 Low Voltage Thermostat Wiring .....	44
2.1 Wall Tag .....	4	10.3 Internal Wiring.....	45
2.2 Corrosive Chemicals.....	4	10.4 Ladder Diagram .....	46
2.3 National Standards and Applicable Codes .....	4	10.5 Electrical Connection to the Burner .....	46
<b>SECTION 3: Clearances to Combustibles</b> .....	<b>5</b>	<b>SECTION 11: Operation and Maintenance</b> .....	<b>47</b>
3.1 Required Clearances to Combustibles.....	5	11.1 Sequence of Operation .....	47
<b>SECTION 4: National Standards and Applicable Codes</b> ...	<b>10</b>	11.2 To Shut Off Heater.....	47
4.1 Gas Codes.....	10	11.3 To Start Heater .....	47
4.2 Aircraft Hangars .....	10	11.4 Pre-Season Maintenance and Annual Inspection....	47
4.3 Public Garages .....	10	11.5 Maintenance Checklist .....	48
4.4 Electrical .....	10	<b>SECTION 12: Troubleshooting</b> .....	<b>50</b>
4.5 Venting.....	10	12.1 Troubleshooting Flow Chart.....	51
4.6 High Altitude .....	10	12.2 Manifold Gas Pressure Setting .....	53
<b>SECTION 5: Major Components</b> .....	<b>11</b>	<b>SECTION 13: Replacement Parts</b> .....	<b>54</b>
5.1 Standard Parts List .....	12	<b>SECTION 14: General Specifications</b> .....	<b>57</b>
<b>SECTION 6: Heater Installation</b> .....	<b>14</b>	14.1 Material Specifications.....	57
6.1 Burner Tube Installation .....	18	14.2 Heater Specifications.....	57
6.2 Tube Clamp Package Installation.....	19	14.3 Suspension Specifications.....	57
6.3 Coupling and Tube Assembly.....	19	14.4 Controls Specifications .....	57
6.4 Turbulator Installation .....	21	<b>SECTION 15: The ROBERTS GORDON® BLACKHEAT™ BH</b>	
6.5 Reflector Installation .....	22	<b>Warranty</b> .....	<b>59</b>
6.6 Burner Installation.....	24		
<b>SECTION 7: Optional Heater Accessories</b> .....	<b>25</b>		
7.1 U-Tube Configuration.....	25		
7.2 Elbow Package Configuration.....	28		
7.3 Reflector Side Extension .....	31		
7.4 Lower Clearance Shield Installation .....	32		
7.5 Two-Foot Decorative Grille Installation .....	32		
7.6 Protective Grille Installation .....	34		
<b>SECTION 8: Venting</b> .....	<b>35</b>		
8.1 Venting.....	35		
8.2 Unvented Operation.....	36		
8.3 Horizontal Venting.....	36		
8.4 Vertical Venting .....	36		
8.5 Unvented Operation Tube Termination .....	36		
8.6 Length Requirements .....	36		
8.7 Horizontal Ventilation 4" (10 cm) Pipe.....	36		
8.8 Vertical Ventilation 4" (10 cm) Pipe.....	37		
8.9 Common Side Wall Venting .....	37		
8.10 Common Vertical Venting .....	38		

© 2012 Roberts-Gordon LLC

All rights reserved. No part of this work covered by the copyrights herein may be reproduced or copied in any form or by any means - graphic, electronic, or mechanical, including photocopying, recording, taping or information storage and retrieval systems - without the written permission of Roberts-Gordon LLC.





---

## TABLE OF FIGURES

Figure 1: Top and Bottom Panel Label Placement .....	2
Figure 2: Side and Back Panel Label Placement .....	3
Figure 3: Standard Reflector .....	6
Figure 4: One Side Reflector .....	6
Figure 5: Two Side Reflectors .....	6
Figure 6: 45° Tilt Reflector .....	7
Figure 7: U-Tube, Standard Reflector .....	7
Figure 8: U-Tube, 45° .....	7
Figure 9: U-Tube, Opposite 45° Reflector .....	8
Figure 10: 2-Foot Deco Grille and Protective Grille .....	8
Figure 11: Lower Clearance Shield .....	8
Figure 12: Venting .....	9
Figure 13: Major Component Descriptions .....	11
Figure 14: Critical Hanger Placement .....	15
Figure 15: Linear Heater Assembly Overview .....	16
Figure 16: Linear Heater Layout Overview .....	17
Figure 17: Linear Heater Layout Overview (Continued) .....	18
Figure 18: U-Tube Heater Assembly Overview .....	26
Figure 19: U-Tube Heater Layout Overview .....	27
Figure 20: U-Tube Layout Overview (Continued) .....	28
Figure 21: Reflector Joint Detail .....	30
Figure 22: Tube Termination .....	36
Figure 23: Gas Connection with Flexible Gas Hose .....	42

## LIST OF TABLES

Table 1: Contents of BH-Series Burner Carton .....	12
Table 2: Contents of Core and Extension Packages .....	12
Table 3: BH-Series Component Package Guide .....	13



## SECTION 1: HEATER SAFETY



Your Safety is Important to Us!  
This symbol is used throughout the manual to notify you of possible fire, electrical or burn hazards. Please pay special attention when reading and following the warnings in these sections.

Installation, service and annual inspection of heater must be done by a contractor qualified in the installation and service of gas-fired heating equipment.

Read this manual carefully before installation, operation or service of this equipment.

This heater is designed for heating nonresidential indoor spaces. Do not install in residential spaces. These instructions, the layout drawing, local codes and ordinances, and applicable standards that apply to gas piping, electrical wiring, venting, etc. must be thoroughly understood before proceeding with the installation.

Protective gear is to be worn during installation, operation and service. Thin sheet metal parts, such as the reflector portion of the heater and the various venting components, have sharp edges. To prevent injury, the use of work gloves is recommended. The use of gloves will also prevent the transfer of body oils from the hands to the surface of the reflector.

Before installation, check that local distribution conditions, nature of gas and pressure, and adjustment of the appliance are compatible.

This heater must be applied and operated under the general concepts of reasonable use and installed using best building practices.

This appliance is not intended for use by persons (including children) with reduced physical, sensory or mental capabilities, or lack of experience and knowledge, unless they have been given supervision or instruction concerning use of the appliance by a person responsible for their safety. Children should be supervised to ensure that they do not play with the appliance.

For additional copies of the Installation, Operation and Service Manual, please contact Roberts-Gordon LLC.

### 1.1 Manpower Requirements

To prevent personal injury and damage to the heater, two persons will be required for installation.

### 1.2 Safety Labels and Their Placement

Product safety signs or labels should be replaced by the product user when they are no longer legible. Please contact Roberts-Gordon or your ROBERTS GORDON® independent distributor to obtain replacement signs or labels. See *Page 2, Figure 1 through Page 3, Figure 2*.

### 1.3 California Proposition 65

In accordance with California Proposition 65 requirements, a warning label must be placed in a highly visible location on the outside of the equipment (i.e., near equipment's serial plate). See label placement drawing on *Page 3, Figure 2* for label location. Avoid placing label on areas with extreme heat, cold, corrosive chemicals or other elements. To order additional labels, please contact Roberts-Gordon LLC or your ROBERTS GORDON® independent distributor.

FIGURE 1: Top and Bottom Panel Label Placement

**Top Panel**

**Gas Connection Label**

**Vent Length Label**

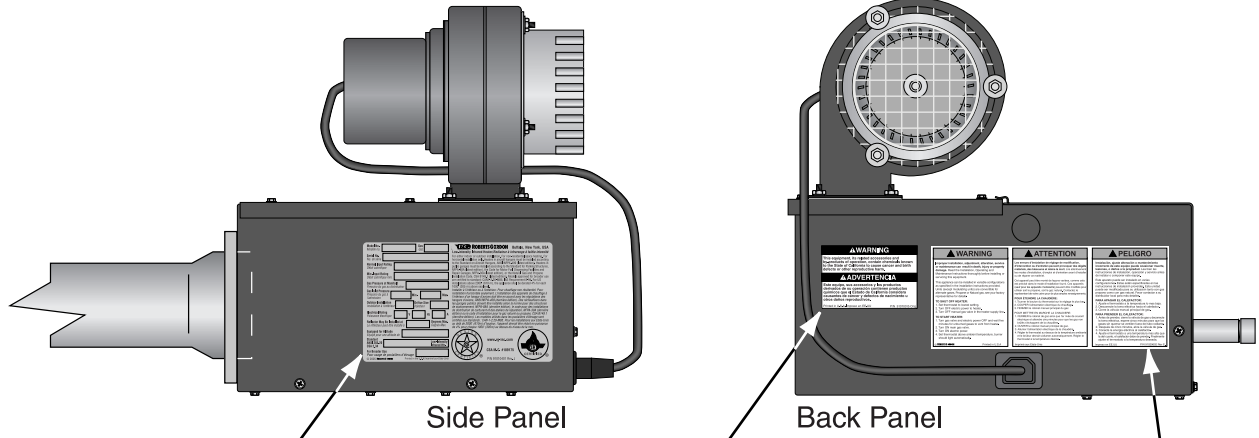
**Blackheat™ BH**  
by ROBERTS GORDON

**Logo Label**

**Bottom Panel**

Description	Part Number
Logo Label	91031101
Vent Length Label	91039500
Gas Connection Label	91018123

FIGURE 2: Side and Back Panel Label Placement



**Model No.** [ ] **Old** [ ] **Rate** [ ]

**Serial No.** [ ]

**Normal Input Rating** [ ]

**Min. Input Rating** [ ]

**Gas Pressure at Manifold** [ ]

**Gas Inlet Pressure** [ ]

**Outdoor Installation** [ ]

**Electrical Rating** [ ]

**Reflector May be Installed at** [ ]

**Standard** [ ] **Low Intensity Infrared** [ ]

**For Broader Use** [ ]

**ROBERTS GORDON** Buffalo, New York, USA

**Low-Intensity Infrared Heater/Radiateur à infrarouge à faible intensité**

For other indoor or outdoor installations. For non-residential space heating. For horizontal installation only. Heaters in aircraft hangars must be installed according to the Standard on Aircraft Hangars, ANI/NPA-430 (latest edition). Heaters in public garages must be installed according to the Standard for Public Structures, NFPA-55A (latest edition), the Code for Motor Fuel Dispensing Facilities and Repair Garages, NFPA-58A (latest edition), or the National Code and Properties Installation Code, CSA 5.165 (latest edition). Models approved for broader use are certified to standard CAN/CSA-C22.2-0.103 Requirement 6.46. For US installations above 2000' (610 m), the appliance shall be derated 4% for each 1000' (300 m) above sea level.

Installer à l'intérieur ou à l'extérieur. Pour chauffage non résidentiel. Pour installation horizontale seulement. L'installation des appareils de chauffage à l'intérieur d'un hangar d'avions doit être en accord avec les réglementations des hangars d'avions. ANI/NPA-430 (dernière édition). Une installation dans les garages publics doivent être installés selon le norme pour des structures de rassemblement. NFPA-55A (dernière édition). Code pour des installations de distribution de carburant et des ateliers de réparation. NFPA-58A (dernière édition) ou le code d'installation pour le gaz naturel ou propane. CSA 5.165 (dernière édition). Les modèles utilisés dans les installations d'énergie sont certifiés aux standards CAN/CSA-C22.2-0.103. Pour les installations au-dessus de 610 m au-dessus du niveau de la mer, l'appareil doit être réduit en puissance de 4% pour chaque 300 m au-dessus du niveau de la mer.

**www.rg-inc.com**

**CSA ILC, #19175**

**CERTIFIED**

Rating Plate Label

**WARNING**

This equipment, its related accessories and by-products of operation, contain chemicals known to the State of California to cause cancer and birth defects or other reproductive harm.

**ADVERTENCIA**

Este equipo, sus accesorios y los productos derivados de su operación contienen productos químicos que el Estado de California considera causantes de cáncer y defectos de nacimiento u otros daños reproductivos.

Printed in U.S.A./Imprimé en E.E.U.U. P/N 91070015

Proposition 65 Label

**WARNING**

Improper installation, adjustment, alteration, service or maintenance can result in fire, injury or property damage. Read the Installation, Operating and Maintenance Instructions thoroughly before installing or servicing this equipment.

**ATTENTION**

Les erreurs d'installation de réglage de modification d'entretien ou d'entretien peuvent provoquer des dégâts matériels, des blessures et même la mort. Lire attentivement les modes d'installation, d'opération et d'entretien avant d'installer ou de réparer cet appareil.

**PELIGRO**

Instalación, ajuste alteración o mantenimiento incorrecto de este equipo puede ocasionar muerte, lesiones, o daños a la propiedad. Lea bien las instrucciones de instalación, operación y mantenimiento antes de instalar o reparar este equipo.

**TO SHUT OFF HEATER:**

- Turn OFF electric power to heater.
- Turn OFF manual gas valve in the heater supply line.

**TO START HEATER:**

- Turn gas valve and electric power OFF and wait five minutes for exhausted gas to vent from heater.
- Turn ON main gas valve.
- Set thermostat above ambient temperature, burner should light automatically.

**POUR ÉTEINDRE LA CHAUDIÈRE:**

- Arrêter le courant électrique au chauffe.
- COUPER l'alimentation électrique du gaz.

**POUR METTRE EN MARCHÉ LA CHAUDIÈRE:**

- ARRÊTER le robinet du gaz ainsi que le réglage si plus tard.
- COUPER l'alimentation électrique de la chaudière.
- Appuyer l'interrupteur électronique de la chaudière.
- Ajuster le thermostat à une température supérieure à celle de la pièce afin de faire allumer automatiquement le brûleur.

**PARA APAGAR EL CALFACTOR:**

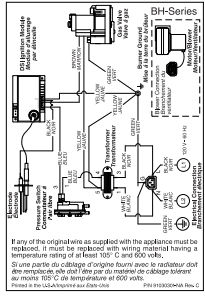
- Apagar el interruptor de la temperatura si más tarde.
- Desconectar la línea eléctrica hacia el calfacto.
- Cerrar el solenoide manual del suministro de gas.

**PARA PRENDER EL CALFACTOR:**

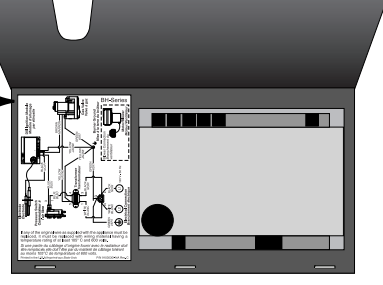
- Antes de prender, cerrar el solenoide de gas y desconectar la línea eléctrica, esperar cinco minutos para que los gases se hayan quemado y se ventilen fuera del área del calentador.
- Después de cinco minutos, abrir el solenoide de gas.
- Conectar la línea eléctrica al calfacto.
- Ajustar el termostato a una temperatura más alta que la del espacio, el calfacto debe de prenderse. El piloto debe de encenderse a la temperatura adecuada.

**CSA ILC/CSA** Printed in U.S.A. Imprimé aux États-Unis P/N 91029602

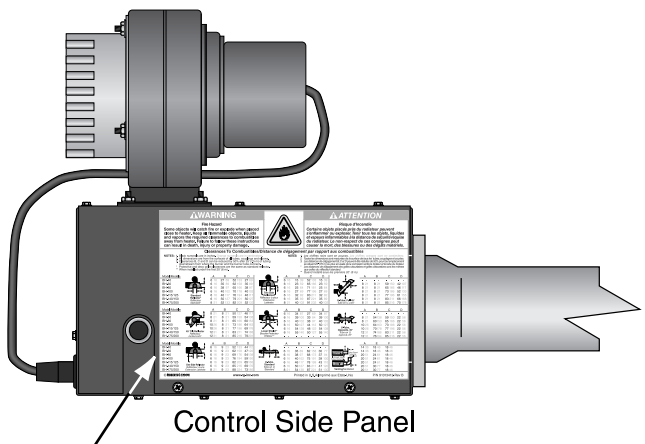
Lighting Instruction Label



Wiring Label



Control Door (Inside)



Control Side Panel

Description	Part Number
Rating Plate Label	91010401
Lighting Instruction Plate Label	91029602
Wiring Label	91030301
Clearances to Combustibles Label	91013412
Proposition 65 Label	91070015
Thermostat Connection Label (not shown)	91037902

**WARNING**

Fire Hazard

Some objects will catch fire or explode when placed close to heater. Keep all flammable objects, liquids and vapors the required clearances to combustibles away from heater. Failure to follow these instructions can result in death, injury or property damage.

**ATTENTION**

Risque d'incendie

Certains objets placés près du radiateur peuvent s'enflammer ou exploser. Tenez tous les objets, liquides et vapeurs inflammables à la distance de sécurité requise du radiateur. Le non-respect de ces consignes peut causer la mort, des blessures ou des dégâts matériels.

**Clearances to Combustibles/Distance de dégagement par rapport aux combustibles**

NOTES: 1. All dimensions are in inches. 2. All dimensions are in inches. 3. Clearances to combustibles shall be maintained at all times. 4. Protective and clear the clearances are the same as standard ratings.

NOTES: 1. Les chiffres sont en pouces. 2. Toutes les dimensions doivent être maintenues tout au long de l'installation et de l'opération. 3. Les distances de dégagement de cet équipement doivent être maintenues tout au long de l'installation et de l'opération. 4. Les distances de dégagement des objets inflammables et des liquides doivent être maintenues tout au long de l'installation et de l'opération.

Model/Modèle	A	B	C	D	A	B	C	D	A	B	C	D
BH-40	6 1/8	27 1/8	52 1/8	27 1/8	6 1/8	15 3/8	52 1/8	15 3/8	6 1/8	15 3/8	59 1/8	22 1/8
BH-80	6 1/8	35 1/8	62 1/8	35 1/8	6 1/8	23 1/8	62 1/8	23 1/8	6 1/8	23 1/8	69 1/8	22 1/8
BH-100	6 1/8	38 1/8	65 1/8	38 1/8	6 1/8	25 1/8	71 1/8	25 1/8	6 1/8	25 1/8	77 1/8	22 1/8
BH-115/125	6 1/8	42 1/8	73 1/8	42 1/8	6 1/8	27 1/8	77 1/8	27 1/8	6 1/8	27 1/8	83 1/8	22 1/8
BH-140/150	6 1/8	46 1/8	76 1/8	46 1/8	6 1/8	32 1/8	83 1/8	32 1/8	6 1/8	32 1/8	89 1/8	22 1/8
BH-175/200	6 1/8	50 1/8	79 1/8	50 1/8	6 1/8	35 1/8	87 1/8	35 1/8	6 1/8	35 1/8	93 1/8	22 1/8
BH-200	6 1/8	52 1/8	82 1/8	52 1/8	6 1/8	40 1/8	91 1/8	40 1/8	6 1/8	40 1/8	97 1/8	22 1/8
BH-40	6 1/8	9 3/8	52 1/8	44 1/8	6 1/8	34 7/8	27 1/8	34 7/8	6 1/8	34 7/8	27 1/8	34 7/8
BH-80	6 1/8	11 1/8	62 1/8	47 1/8	6 1/8	39 1/8	35 1/8	39 1/8	6 1/8	39 1/8	35 1/8	39 1/8
BH-100	6 1/8	11 1/8	65 1/8	50 1/8	6 1/8	40 1/8	38 7/8	40 1/8	6 1/8	40 1/8	38 7/8	40 1/8
BH-115/125	6 1/8	11 1/8	68 1/8	53 1/8	6 1/8	50 1/8	44 1/8	50 1/8	6 1/8	50 1/8	44 1/8	50 1/8
BH-140/150	6 1/8	11 1/8	71 1/8	56 1/8	6 1/8	54 1/8	48 1/8	54 1/8	6 1/8	54 1/8	48 1/8	54 1/8
BH-175/200	6 1/8	11 1/8	83 1/8	74 1/8	6 1/8	55 1/8	50 1/8	55 1/8	6 1/8	55 1/8	50 1/8	55 1/8
BH-40	6 1/8	9 3/8	52 1/8	44 1/8	6 1/8	35 1/8	28 1/8	35 1/8	6 1/8	35 1/8	28 1/8	35 1/8
BH-80	6 1/8	9 3/8	69 1/8	54 1/8	6 1/8	38 7/8	37 3/8	38 7/8	6 1/8	38 7/8	37 3/8	38 7/8
BH-100	6 1/8	9 3/8	76 1/8	59 1/8	6 1/8	40 1/8	37 3/8	40 1/8	6 1/8	40 1/8	37 3/8	40 1/8
BH-115/125	6 1/8	9 3/8	82 1/8	66 1/8	6 1/8	46 1/8	38 7/8	46 1/8	6 1/8	46 1/8	38 7/8	46 1/8
BH-140/150	6 1/8	9 3/8	85 1/8	69 1/8	6 1/8	50 1/8	37 3/8	50 1/8	6 1/8	50 1/8	37 3/8	50 1/8
BH-175/200	6 1/8	9 3/8	93 1/8	79 1/8	6 1/8	54 1/8	37 3/8	54 1/8	6 1/8	54 1/8	37 3/8	54 1/8

© ROBERTS GORDON www.rg-inc.com Printed in U.S.A./Imprimé aux États-Unis P/N 91013412-Rev B

Clearances to Combustibles Label

## SECTION 2: INSTALLER RESPONSIBILITY

The installer is responsible for the following:

- To install the heater, as well as the gas and electrical supplies, in accordance with applicable specifications and codes. Roberts-Gordon LLC recommends the installer contact a local Building Inspector or Fire Marshal for guidance.
- To use the information given in a layout drawing and in the manual together with the cited codes and regulations to perform the installation.
- To install the heater in accordance with the clearances to combustibles.
- To furnish all needed materials not furnished as standard equipment.
- To plan location of supports.
- To provide access on all sides for burner servicing and removal.
- To provide the owner with a copy of this Installation, Operation and Service Manual.
- To never use heater as a support for a ladder or other access equipment and never hang or suspend anything from heater.
- To ensure there is adequate air circulation around the heater and to supply air for combustion, ventilation and distribution in accordance with local codes.
- To safely and adequately install heater using materials with a minimal working load of 75 lbs (33 kg).
- To ensure the heater is placed in an approved application.

### 2.1 Wall Tag

A laminated wall tag is available for the heater as a permanent reminder of the safety instructions and the importance of the required clearances to combustibles. Please contact Roberts-Gordon or your ROBERTS GORDON® independent distributor to obtain the wall tag. Affix the tag by peeling off the backing of the adhesive strips on the rear surface and position the tag on a wall near the heater (e.g. thermostat or ROBERTS GORDON® Controller).

A copy of the wall tag (P/N 91037912) is illustrated on the back cover. For an immediate solution, you may affix this copy on the wall near the heater.

Know your model number and installed configuration. Model number and installed configuration are found on the burner and in the Installation, Operation and Service Manual. See Page 6, Figure 3 through Page 9, Figure 12. Write the proper clearance dimensions in

permanent ink according to your model number and configuration in the open spaces on the tag.

### 2.2 Corrosive Chemicals


<p><b>Product Damage Hazard</b></p> <p><b>Do not use heater in area containing corrosive chemicals.</b></p> <p><b>Refer to appropriate Material Safety Data Sheets (MSDS).</b></p> <p><b>Failure to follow these instructions can result in product damage.</b></p>

Roberts-Gordon LLC cannot be responsible for ensuring that all appropriate safety measures are undertaken prior to installation; this is entirely the responsibility of the installer. It is essential that the contractor, the sub-contractor, or the owner identifies the presence of combustible materials, corrosive chemicals or halogenated hydrocarbons\* anywhere in the premises.

*\* **Halogenated Hydrocarbons** are a family of chemical compounds characterized by the presence of halogen elements (fluorine, chlorine, bromine, etc.). These compounds are frequently used in refrigerants, cleaning agents, solvents, etc. If these compounds enter the air supply of the burner, the life span of the heater components will be greatly reduced. An outside air supply must be provided to the burners whenever the presence of these compounds is suspected. Warranty will be invalid if the heater is exposed to halogenated hydrocarbons.*

### 2.3 National Standards and Applicable Codes

All appliances must be installed in accordance with the latest revision of the applicable standards and national codes. This refers also to the electric, gas and venting installation. Note: Additional standards for installations in public garages, aircraft hangars, etc. may be applicable.

## SECTION 3: CLEARANCES TO COMBUSTIBLES

### 3.1 Required Clearances to Combustibles

Clearances are the required distances that combustible objects must be away from the heater to prevent serious fire hazards. Combustibles are materials that may catch on fire and include common items such as wood, paper, rubber, fabric, etc.

**Maintain clearances to combustibles at all times for safety.**

Clearances for all heater models are located on the burner of the heater and on *Page 6, Figure 3 through Page 9, Figure 12* in this manual. Check the clearances on each burner for the model heater being installed to make sure the product is suitable for your application and the clearances are maintained. Read and follow the safety guidelines below:

- Keep gasoline or other combustible materials including flammable objects, liquids, dust or vapors away from this heater or any other appliance.
- The stated clearances to combustibles represents a surface temperature of 90° F (50° C) above room temperature. Building materials with a low heat tolerance (such as plastics, vinyl siding, canvas, tri-ply, etc) may be subject to degradation at lower temperatures. It is the installer's responsibility to assure that adjacent materials are protected from degradation.
- Maintain clearances from heat sensitive equipment and workstations.
- Maintain clearances from vehicles parked below the heater.
- Maintain clearances from swinging and overhead doors, overhead cranes, vehicle lifts, partitions, storage racks, hoists, building construction, etc.
- In locations used for the storage of combustible materials, signs must be posted to specify the maximum permissible stacking height to maintain required clearances from the heater to the combustibles. Signs must be posted adjacent to the heater thermostat. In the absence of a thermostat, signs must be posted in a conspicuous location.
- Consult local Fire Marshal, Fire Insurance Carrier or other authorities for approval of proposed installation when there is a possibility of exposure to combustible airborne materials or vapors.
- Hang heater in accordance to the minimum suspension requirements on *Page 15, Figure 14*.

## ! WARNING



### Fire Hazard

**Keep all flammable objects, liquids and vapors the minimum required clearances to combustibles away from heater.**

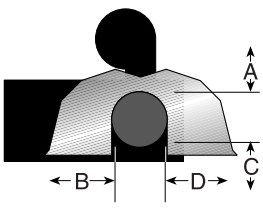
**Some objects will catch fire or explode when placed close to heater.**

**Failure to follow these instructions can result in death, injury or property damage.**

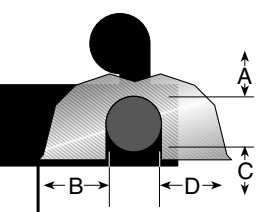
- If the radiant tubes must pass through the building structure, be sure that adequate sleeving and fire stop is installed to prevent scorching and/or fire hazard.

**NOTE:** 1. All dimensions are from the surfaces of all tubes, couplings and elbows.  
 2. Clearances B, C and D can be reduced by 50% after 25' (7.5 m) of tubing downstream from where the burner and burner tube connect.

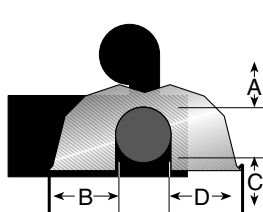
**FIGURE 3: Standard Reflector**

	Model	(inches)				(centimeters)			
		A	B	C	D	A	B	C	D
	BH-40	6	27	52	27	16	69	133	69
	BH-60	6	35	62	35	16	89	158	89
	BH-80	6	38	65	38	16	97	166	97
	BH-100	6	40	70	40	16	102	178	102
	BH-115/125	6	46	76	46	16	117	194	117
	BH-140/150	6	50	79	50	16	127	201	127
	BH-175/200	8	52	82	52	21	133	209	133

**FIGURE 4: One Side Reflector**

	Model	(inches)				(centimeters)			
		A	B	C	D	A	B	C	D
	BH-40	6	9	52	44	16	23	133	112
	BH-60	6	9	62	47	16	23	158	120
	BH-80	6	9	69	54	16	23	176	138
	BH-100	6	9	76	59	16	23	194	150
	BH-115/125	6	9	82	65	16	23	209	166
	BH-140/150	6	9	85	69	16	23	216	176
	BH-175/200	8	9	88	73	21	23	224	186

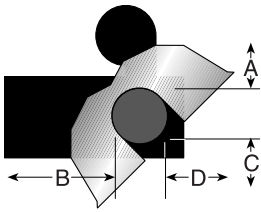
**FIGURE 5: Two Side Reflectors**

	Model	(inches)				(centimeters)			
		A	B	C	D	A	B	C	D
	BH-40	6	15	52	15	16	39	133	39
	BH-60	6	23	65	23	16	59	166	59
	BH-80	6	25	71	25	16	64	181	64
	BH-100	6	27	77	27	16	69	196	69
	BH-115/125	6	32	83	32	16	82	211	82
	BH-140/150	6	35	87	35	16	89	221	89
	BH-175/200	8	40	91	40	21	102	232	102

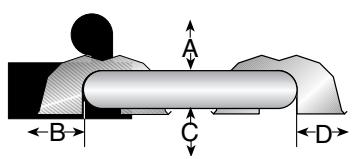


- NOTE:** 1. All dimensions are from the surfaces of all tubes, couplings and elbows.  
 2. Clearances B, C and D can be reduced by 50% after 25' (7.5 m) of tubing downstream from where the burner and burner tube connect.

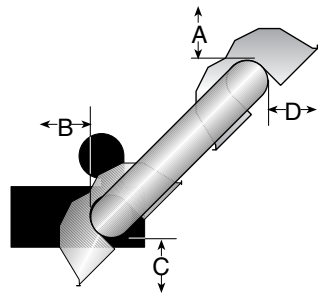
**FIGURE 6: 45° Tilt Reflector**

	Model	(inches)				(centimeters)			
		A	B	C	D	A	B	C	D
	BH-40	8	8	50	46	21	21	127	117
	BH-60	8	8	59	54	21	21	150	138
	BH-80	8	8	65	60	21	21	166	153
	BH-100	10	8	73	64	26	21	186	163
	BH-115/125	10	8	77	69	26	21	196	176
	BH-140/150	12	8	83	74	31	21	211	188
	BH-175/200	12	8	85	79	31	21	216	201

**FIGURE 7: U-Tube, Standard Reflector**

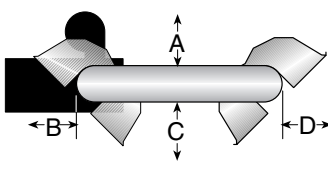
	Model	(inches)				(centimeters)			
		A	B	C	D	A	B	C	D
	BH-40	- UNAPPROVED -				- UNAPPROVED -			
	BH-60	6	35	62	30	16	89	158	77
	BH-80	6	38	68	37	16	97	173	94
	BH-100	6	40	75	39	16	102	191	100
	BH-115/125	6	46	78	43	16	117	199	110
	BH-140/150	6	50	83	47	16	127	211	120
	BH-175/200	8	54	87	51	21	138	221	130

**FIGURE 8: U-Tube, 45°**

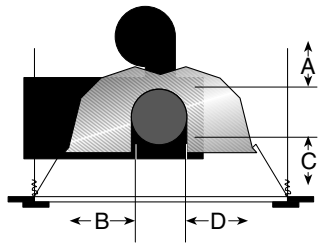
	Model	(inches)				(centimeters)			
		A	B	C	D	A	B	C	D
	BH-40	- UNAPPROVED -				- UNAPPROVED -			
	BH-60	8	8	59	42	21	21	150	107
	BH-80	8	8	65	46	21	21	166	117
	BH-100	8	8	73	52	21	21	186	133
	BH-115/125	8	8	77	61	21	21	196	155
	BH-140/150	8	8	83	66	21	21	211	168
	BH-175/200	8	8	85	70	21	21	216	178

**NOTE:** 1. All dimensions are from the surfaces of all tubes, couplings and elbows.  
 2. Clearances B, C and D can be reduced by 50% after 25' (7.5 m) of tubing downstream from where the burner and burner tube connect.

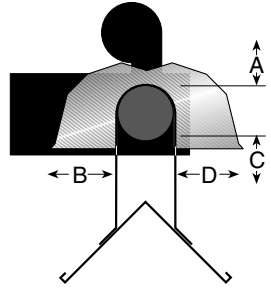
**FIGURE 9: U-Tube, Opposite 45° Reflector**

	Model	(inches)				(centimeters)			
		A	B	C	D	A	B	C	D
	BH-40	- UNAPPROVED -				- UNAPPROVED -			
	BH-60	8	54	59	22	21	138	150	56
	BH-80	8	60	65	22	21	153	166	56
	BH-100	10	64	73	22	26	163	186	56
	BH-115/125	10	70	77	22	26	178	196	56
	BH-140/150	12	74	83	22	31	188	211	56
	BH-175/200	12	76	85	22	31	194	216	56

**FIGURE 10: 2-Foot Deco Grille and Protective Grille**

	Model	(inches)				(centimeters)			
		A	B	C	D	A	B	C	D
	BH-40	6	27	52	27	16	69	133	69
	BH-60	6	35	62	35	16	89	158	89
	BH-80	6	38	65	38	16	97	166	97
	BH-100	6	40	70	40	16	102	178	102
	BH-115/125	6	46	76	46	16	117	194	117
	BH-140/150	6	50	79	50	16	127	201	127
	BH-175/200	8	52	82	52	21	133	209	133

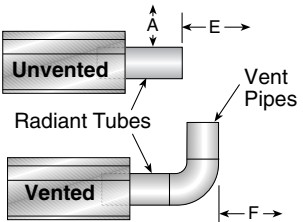
**FIGURE 11: Lower Clearance Shield\***

	Model	(inches)				(centimeters)			
		A	B	C	D	A	B	C	D
	BH-40	6	34	27	34	16	87	69	87
	BH-60	6	39	33	39	16	100	84	100
	BH-80	6	40	38	40	16	102	97	102
	BH-100	6	50	44	50	16	127	112	127
	BH-115/125	6	54	48	54	16	138	122	138
	BH-140/150	6	55	50	55	16	140	127	140
	BH-175/200	- UNAPPROVED -				- UNAPPROVED -			

\*When installed in the first 10' (3 m).

**NOTE:** 1. All dimensions are from the surfaces of all tubes, couplings and elbows.  
 2. Clearances B, C and D can be reduced by 50% after 25' (7.5 m) of tubing downstream from where the burner and burner tube connect.

**FIGURE 12: Venting**

	Model	(inches)			(centimeters)		
		A	E	F	A	E	F
	BH-40	14	18	18	36	46	46
	BH-60	14	18	18	36	46	46
	BH-80	20	24	18	51	61	46
	BH-100	20	24	18	51	61	46
	BH-115/125	20	24	18	51	61	46
	BH-140/150	20	30	18	51	77	46
	BH-175/200	20	30	18	51	77	46

## SECTION 4: NATIONAL STANDARDS AND APPLICABLE CODES

### 4.1 Gas Codes

The type of gas appearing on the nameplate must be the type of gas used. Installation must comply with national and local codes and requirements of the local gas company.

United States: Refer to National Fuel Gas Code NFPA 54/ANSI Z223.1 - latest revision.

Canada: Refer to Natural Gas and Propane Installation Code CSA B149.1 - latest revision.

### 4.2 Aircraft Hangars

Installation in aircraft hangars must be in accordance with the following codes:

United States: Refer to Standard for Aircraft Hangars, NFPA 409 - latest revision.

Canada: Refer to Natural Gas and Propane Installation Code CSA B149.1 - latest revision.

In aircraft storage and servicing areas, heaters shall be installed at least 10' (3 m) above the upper surface of wings or of engine enclosures of the highest aircraft which may be housed in the hangar. The measurement shall be made from the wing or engine enclosure (whichever is higher from the floor) to the bottom of the heater.

- In shops, offices and other sections of aircraft hangars communicating with aircraft storage or servicing areas, heaters shall be installed not less than 8' (2.4 m) above the floor.
- Suspended or elevated heaters shall be so located in all spaces of aircraft hangars that they shall not be subject to injury by aircraft, cranes, movable scaffolding or other objects. Provisions shall be made to assure accessibility to suspended heaters for recurrent maintenance purposes.

### 4.3 Public Garages

Installation in garages must be in accordance with the following codes:

United States: Refer to Standard for Parking Structures NFPA 88A - latest revision or the Code for Motor Fuel Dispensing Facilities and Repair Garages, NFPA 30A - latest revision.  
Canada: Refer to Natural Gas and Propane Installation Code CSA B149.1 - latest revision.

- Heaters must not be installed less than 8' (2.4 m) above the floor. Minimum clearances to combustibles must be maintained from vehicles parked below the heater.
- When installed over hoists, minimum clearances to combustibles must be maintained from the upper most point of objects on the hoist.

### 4.4 Electrical

The heater must be electrically grounded in accordance with the following codes:

United States: Refer to National Electrical Code®, NFPA 70 - latest revision. Wiring must conform to the most current National Electrical Code®, local ordinances and any special diagrams furnished.

Canada: Refer to Canadian Electrical Code, CSA C22.1 Part 1 - latest revision.

### 4.5 Venting

The venting must be installed in accordance with the requirements within this manual and the following codes:

United States: Refer to National Fuel Gas Code NFPA 54/ANSI Z223.1 - latest revision.

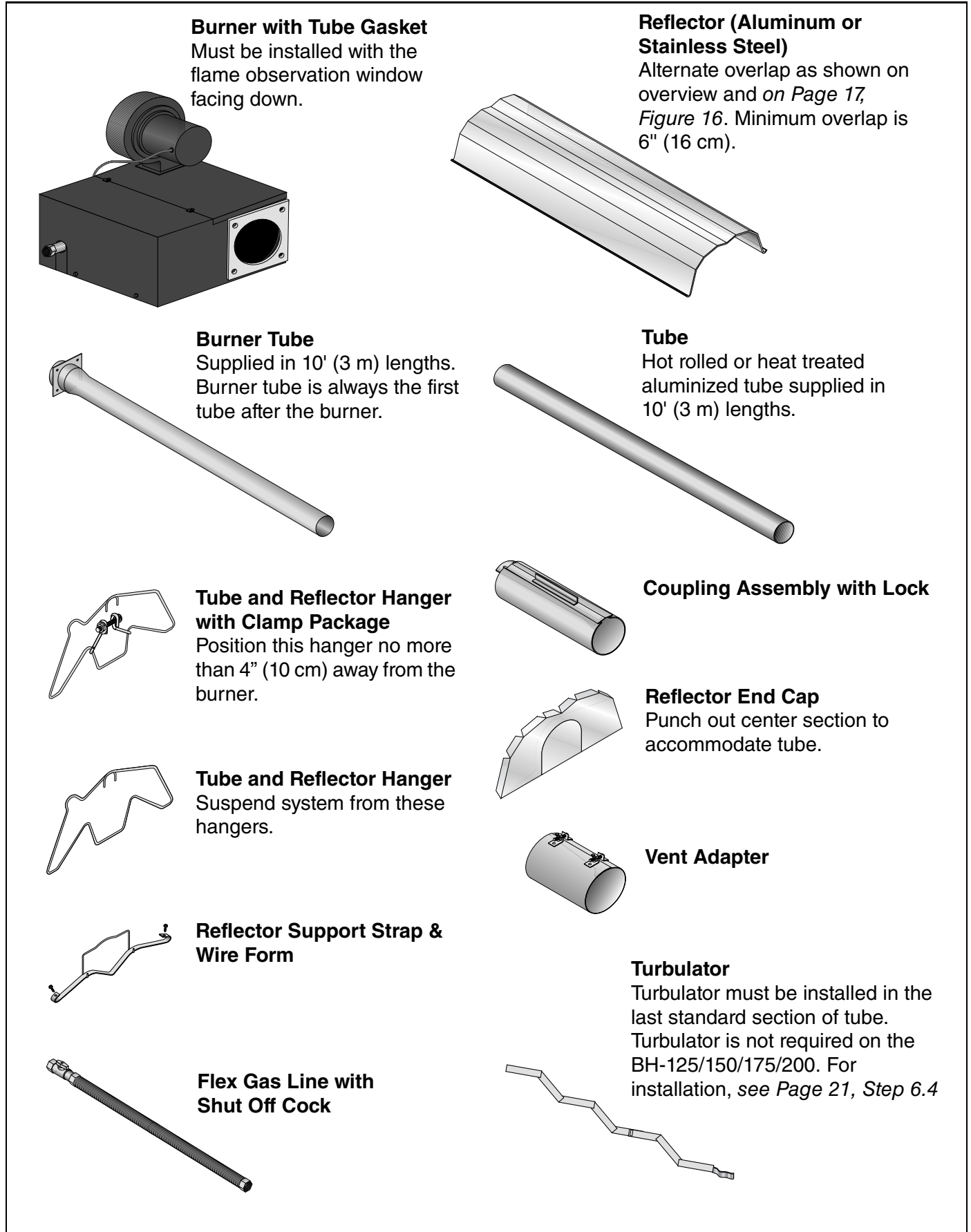
Canada: Refer to Natural Gas and Propane Installation Code CSA B149.1 - latest revision.

### 4.6 High Altitude

These heaters are approved for installations up to 2000' (610 m)(US), 4500' (1370 m)(Canada) without modification. Consult factory if US installation is above 2000' (610 m) or Canadian installation is above 4500' (1370 m).

## SECTION 5: MAJOR COMPONENTS

FIGURE 13: Major Component Descriptions



## 5.1 Standard Parts List

**Table 1: Contents of BH-Series Burner Carton**

Part No.	Description	BH-40	BH-60	BH-80	BH-100	BH-115	BH-125	BH-140	BH-150	BH-175	BH-200
ET71XXXXX	Burner (Rate and Fuel Varies)	1	1	1	1	1	1	1	1	1	1
90709700	Blower Assembly with Cord	1	1	1	1	1	1	1	1	1	1
02568200	Gasket (Burner to Burner Tube)	1	1	1	1	1	1	1	1	1	1
90709801	Gasket (Blower to Burner)	1	1	1	1	1	1	1	1	1	1
170102NA	Installation, Operation and Service Manual	1	1	1	1	1	1	1	1	1	1
91201708	Pipe Nipple (Black) 1/2" NPT x 4"	1	1	1	1	1	1	1	1	1	1
94273914	Hex Head Bolts 5/16" - 18 Rolok	4	4	4	4	4	4	4	4	4	4
96411600	Split Lock Washer	4	4	4	4	4	4	4	4	4	4
*91412200	Flexible Stainless Steel Gas Hose, 1/2" NPT (US Models Only)	1	1	1	1	1	1	-	-	-	-
*91412204	Flexible Stainless Steel Gas Hose, 3/4" NPT (US Models Only)	-	-	-	-	-	-	1	1	1	1
91907302	S-Hooks	2	2	2	2	2	2	2	2	2	2
91911700	Outside Air Collar	1	1	1	1	1	1	1	1	1	1
94118106	#8 x 3/8 Hex Washer Head (for Outside Air Collar)	3	3	3	3	3	3	3	3	3	3
92311800	Keps Nut	4	4	4	4	4	4	4	4	4	4
03051503	Turbulator Adapter	1	1	1	1	1	-	1	-	-	-
03051504	Turbulator 2.5' (76 cm), Aluminized Steel	2	4	4	1	3	-	1	-	-	-
03051505	Turbulator 2.5' (76 cm), Stainless Steel	1	-	-	-	-	-	-	-	-	-

\*Canadian models: Rubber (Type 1) Gas Hoses available as an accessory. See Page 41.

**Table 2: Contents of Core and Extension Packages**

Part No.	Description	Core Packages								Extension Packages							
		Hot Rolled			Aluminized				Hot Rolled				Aluminized				
		20' (6m)	30' (9m)	40' (12m)	10' (3m)	20' (6m)	30' (9m)	40' (12m)	10' (3m)	20' (6m)	30' (9m)	40' (12m)	10' (3m)	20' (6m)	30' (9m)	40' (12m)	
91409300	Tube, Hot Rolled Steel, 10' (3 m)	1	2	3	-	-	-	-	1	2	3	4	-	-	-	-	
91409408	Tube, HT Aluminized, 10' (3 m)	-	-	-	-	1	2	3	-	-	-	-	1	2	3	4	
03051101	Burner Tube, ALUMI-THERM- Steel, 10' (3 m)	-	1	1	-	-	1	1	-	-	-	-	-	-	-	-	
03051601	Burner Tube, HT ALUMI-THERM- Steel, 10' (3 m)	1	-	-	1	1	-	-	-	-	-	-	-	-	-	-	
01312700	Coupling Assembly	1	2	3	-	1	2	3	1	2	3	4	1	2	3	4	
02750303	Standard Reflector, 8' (3.5 m)	3	4	6	2	3	4	6	2	3	4	6	2	3	4	6	
02750800	End Cap	2	2	2	2	2	2	2	-	-	-	-	-	-	-	-	
03090100	Tube and Reflector Hanger	3	4	5	2	3	4	5	1	2	3	4	1	2	3	4	
91907302	S-Hook	3	4	5	2	3	4	5	1	2	3	4	1	2	3	4	
03050010	Reflector Support Package (Strap, Wire Form, Screws)	2	3	5	1	2	3	5	2	3	4	6	2	3	4	6	
91107720	U-Clip Package	1	1	1	1	1	1	1	1	1	1	1	1	1	1	1	
90502700	Vent Adapter	1	1	1	1	1	1	1	-	-	-	-	-	-	-	-	
01318901	Tube Clamp Package	1	1	1	1	1	1	1	-	-	-	-	-	-	-	-	
<b>Part Number</b>		CP20HRS	CP30HRS	CP40HRS	CP10ALUM	CP20ALUM	CP30ALUM	CP40ALUM	EXP10HRS	EXP20HRS	EXP30HRS	EXP40HRS	EXP10ALUM	EXP20ALUM	EXP30ALUM	EXP40ALUM	

**Table 3: BH-Series Component Package Guide**

Model	Tubing Length	Core Packages	
	Minimum	Standard	Aluminized
BH-40	10' (3 m)	-	CP10ALUM
BH-60	20' (6 m)	CP20HRS	CP20ALUM
BH-80	20' (6 m)	CP20HRS	CP20ALUM
BH-100	30' (9 m)	CP30HRS	CP30ALUM
BH-115	30' (9 m)	CP30HRS	CP30ALUM
BH-125	40' (12 m)	CP40HRS	CP40ALUM
BH-140	40' (12 m)	CP40HRS	CP40ALUM
BH-150	50' (15 m)	CP30HRS + EXP20HRS	CP30ALUM + EXP20ALUM
BH-175	50' (15 m)	CP30HRS + EXP20HRS	CP30ALUM + EXP20ALUM
BH-200	60' (18 m)	CP30HRS + EXP30HRS	CP30ALUM + EXP30ALUM

Additional tubing length may be added to heater. Tubing must be heat-treated, aluminized or porcelain coated. Any additional tubing lengths are considered as vent length for length determination. Maximum venting length for minimum heater length is 45' (13.7 m) total.

**SECTION 6: HEATER INSTALLATION**

Expansion and contraction of the tube dictates that the minimum suspension lengths must be maintained. See table on Page 15, Figure 14.

<b>⚠ WARNING</b>

<b>Severe Injury Hazard</b>
<b>Secure burner to burner tube with bolts and lockwashers.</b>
<b>Hang heater with materials with a minimum working load of 75 lbs (33 kg).</b>
<b>Failure to follow these instructions can result in death, injury or property damage.</b>

<b>⚠ WARNING</b>

<b>Cut/Pinch Hazard</b>
<b>Wear protective gear during installation, operation and service.</b>
<b>Edges are sharp.</b>
<b>Failure to follow these instructions can result in injury.</b>

To ensure your safety and comply with the terms of the warranty, all units must be installed in accordance with these instructions.

The gas or the electrical supply lines must not be used to support the heater.

Do not locate the gas or electric supply lines directly over the path of the flue products from the heater.

The heater must be installed in a location that it is readily accessible for servicing.

The heaters must be installed in accordance with clearances to combustibles as indicated on the rating plate and in this instruction manual.

The minimum and maximum gas inlet pressures must be maintained as indicated on the rating plate.

Typical installation configurations are shown on Page 15, Figure 14.



**FIGURE 14: Critical Hanger Placement**

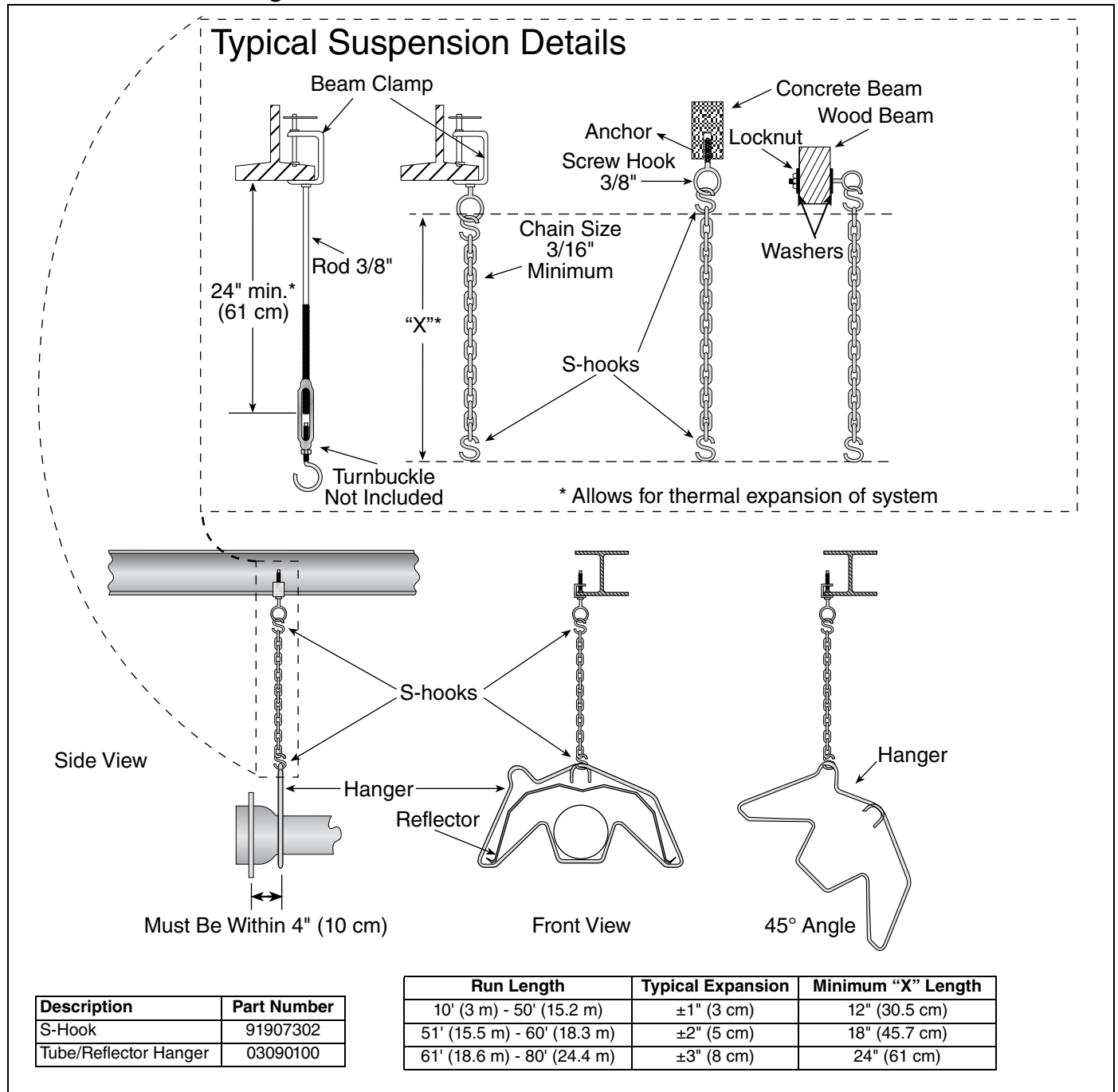


FIGURE 15: Linear Heater Assembly Overview

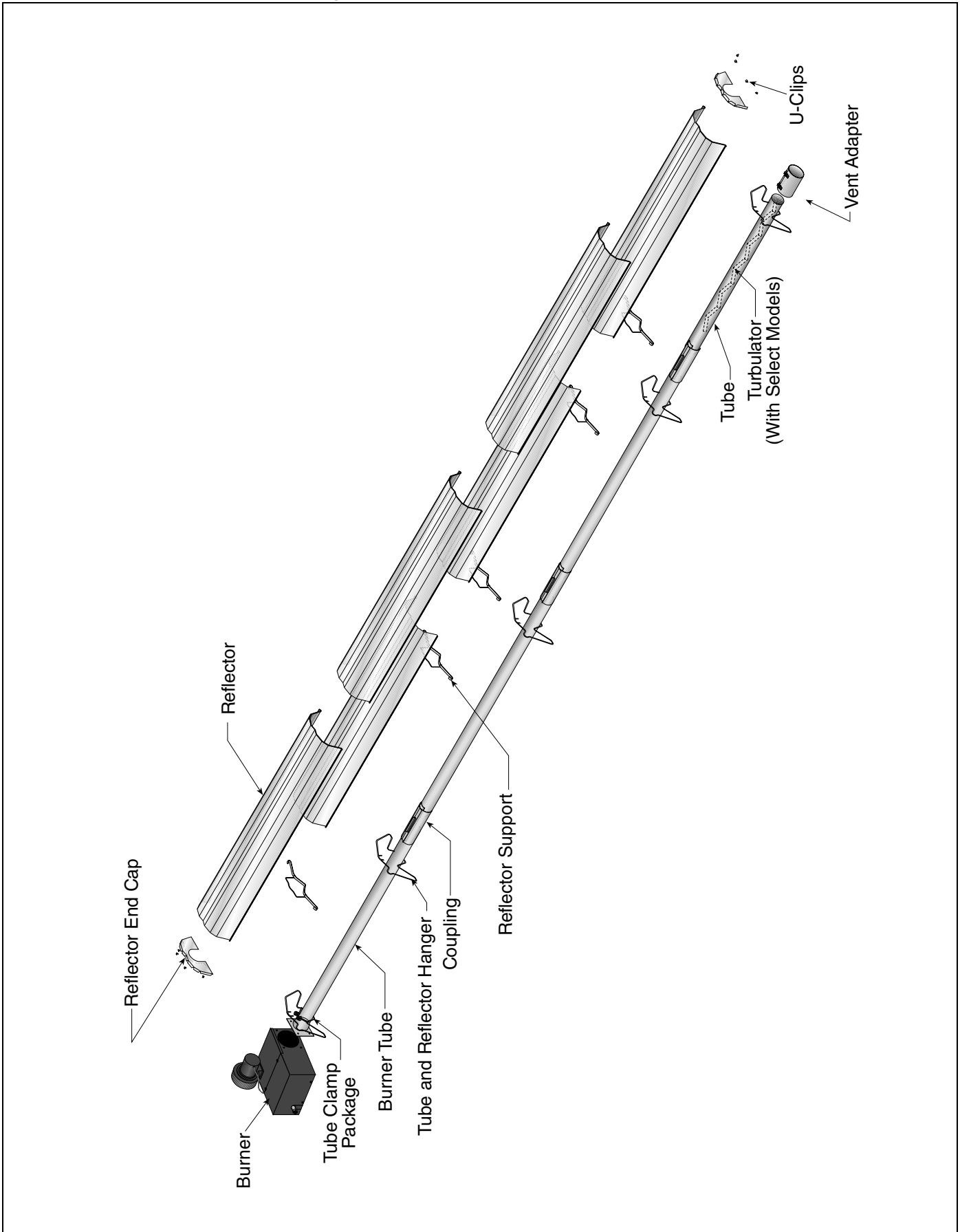
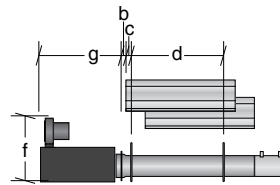
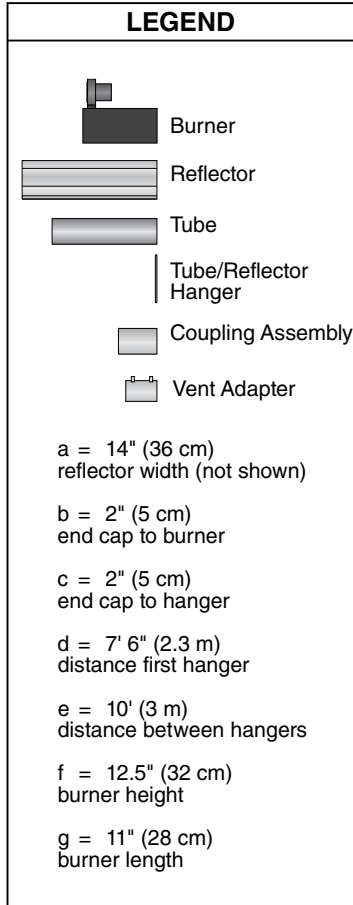
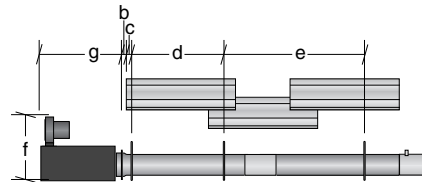


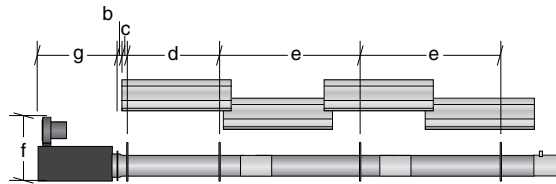
FIGURE 16: Linear Heater Layout Overview



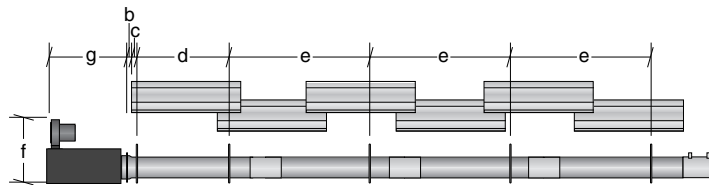
10' (3 m) Tube Length



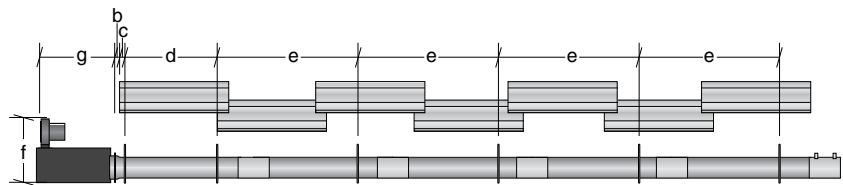
20' (6.1 m) Tube Length



30' (9.1 m) Tube Length

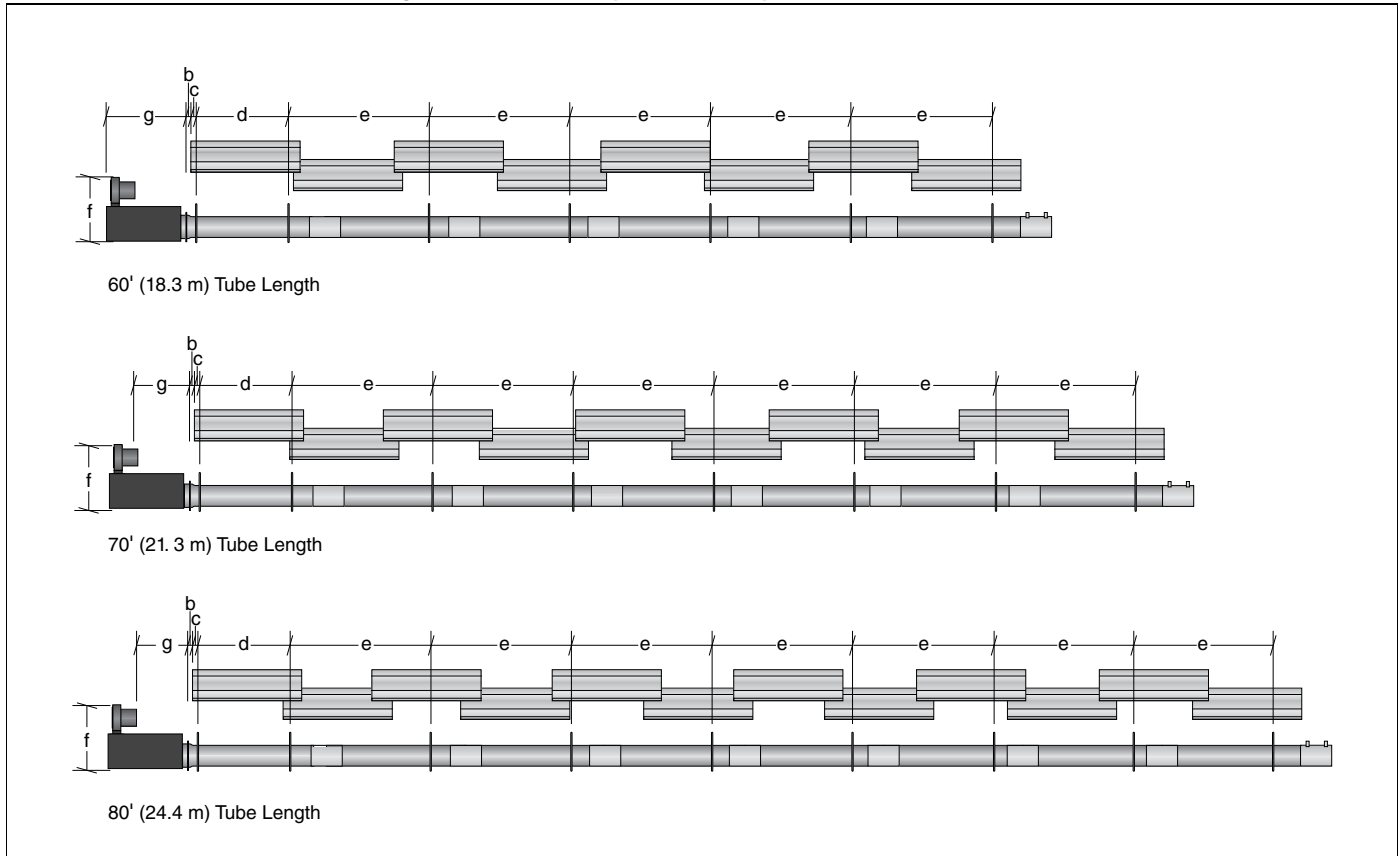


40' (12.2 m) Tube Length



50' (15.2 m) Tube Length

**FIGURE 17: Linear Heater Layout Overview (Continued)**



**Step 6.1 Burner Tube Installation**

**NOTE:**  
 Tubing requires a downward slope of 1/2" (13 mm) per 20' (6 m) away from burner.

S-Hook

Hanger

Burner Tube

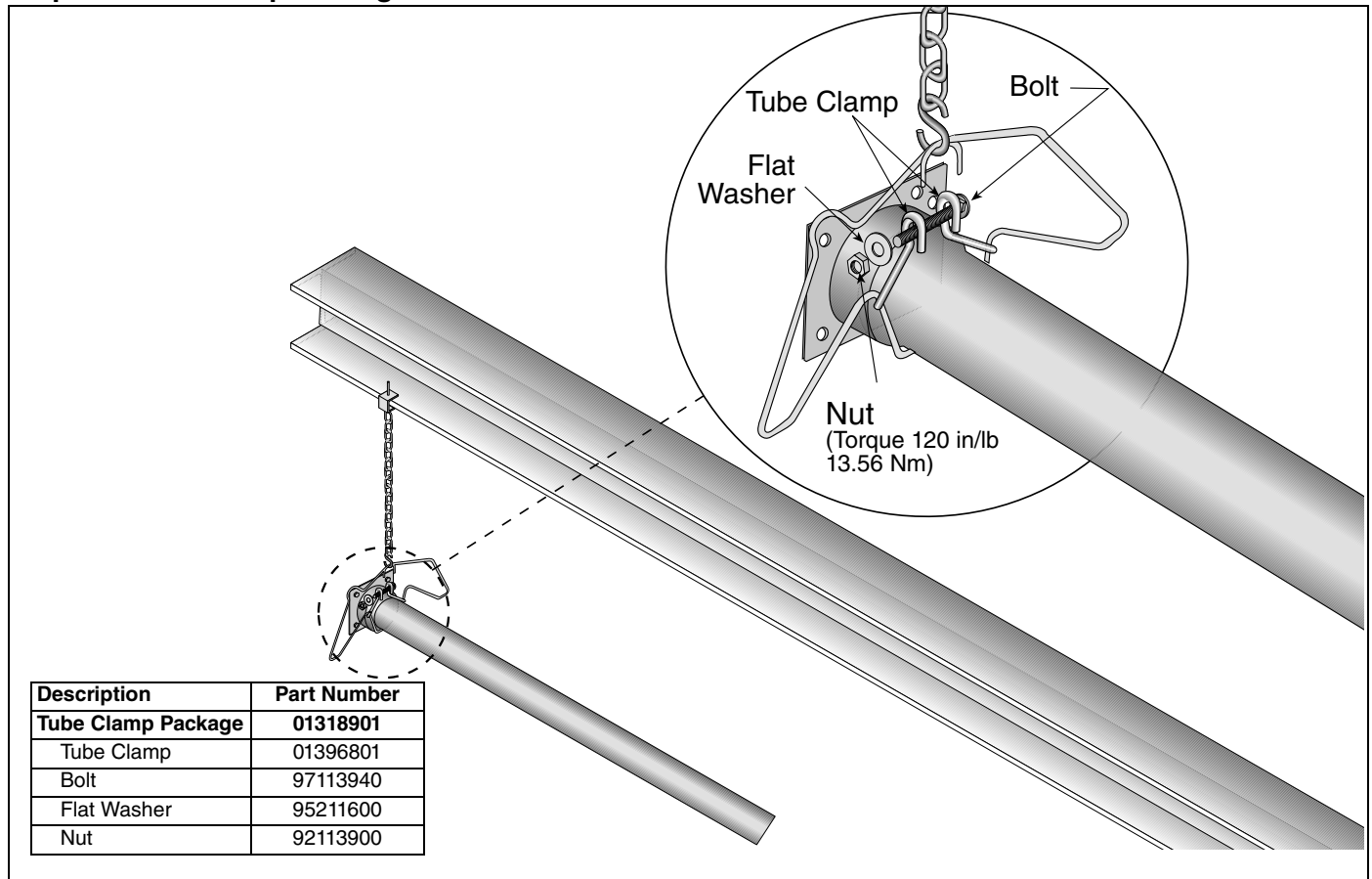
7' 6" ± 1' (229 cm ± 25 cm)

Offset mounting hole must be to the top.

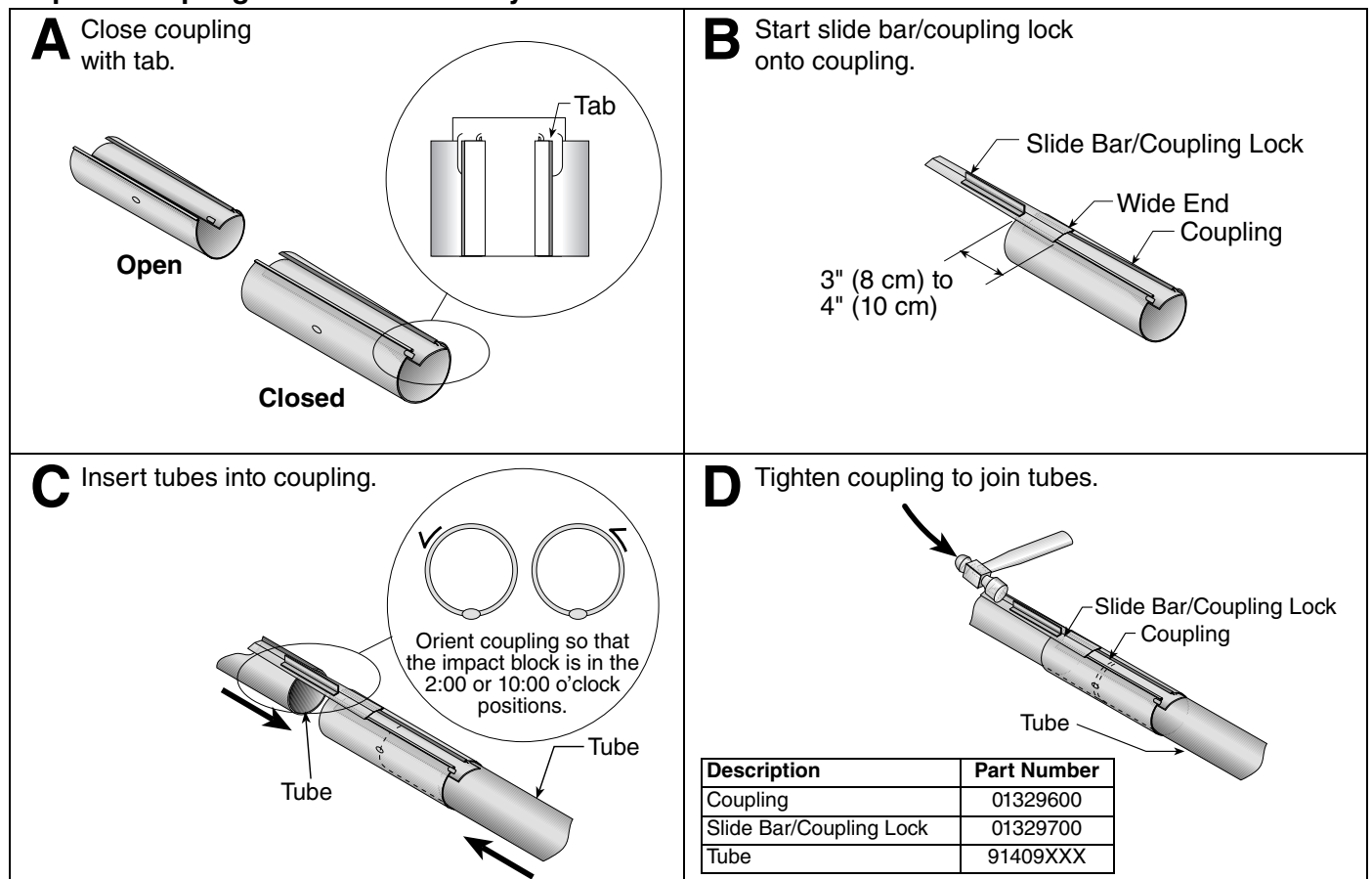
Weld seam must be to the bottom of the tube.

Description	Part Number
Burner Tube	03051XXX
S-Hook	91907302
Tube/Reflector Hanger	03090100

## Step 6.2 Tube Clamp Package Installation

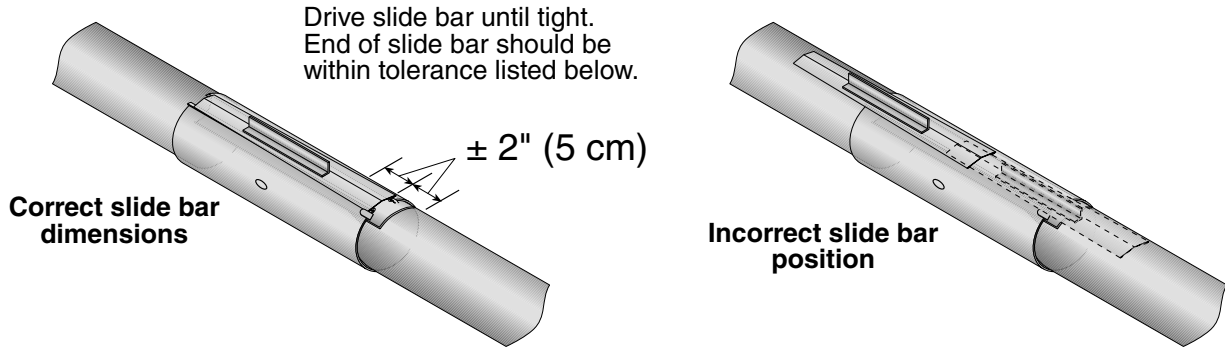


## Step 6.3 Coupling and Tube Assembly



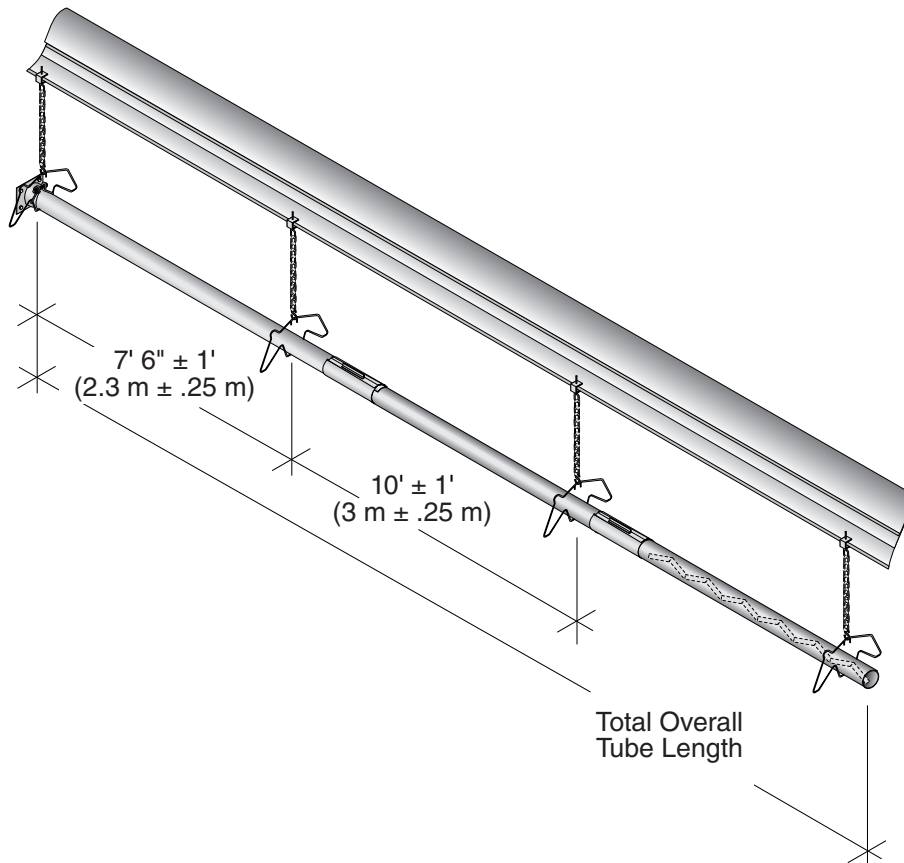
**Step 6.3.1 Coupling and Tube Assembly (Continued)**

Tighten slide bar as shown below.



- Repeat Step 6.3 A - D until all tubes are assembled. See Page 20, Step 6.3.2.

**Step 6.3.2 Coupling and Tube Assembly (Continued)**



Model	Tube Length Minimum
BH-40	10' (3 m)
BH-60	20' (6 m)
BH-80	20' (6 m)
BH-100	30' (9 m)
BH-115	30' (9 m)
BH-125	40' (12 m)
BH-140	40' (12 m)
BH-150	50' (15 m)
BH-175	50' (15 m)
BH-200	60' (18 m)

## Step 6.4 Turbulator Installation

Turbulator must be installed in the last standard section of tube. Turbulator is not required on the BH-125/150/175/200.

Turbulator Section

Turbulator Adapter

Tab

Twist

Pull String

Turbulator section 2.5' (76.2 cm) (stainless) used in BH-40 heaters must be in the section of turbulator nearest to the burner.

Fold tab around outside of tube nearest to the vent to hold turbulator in place.

Turbulator Installation	
Model	Tube Section
BH-40	1st 10' (3 m) Section
BH-60	2nd 10' (3 m) Section
BH-80	2nd 10' (3 m) Section
BH-100	3rd 10' (3 m) Section
BH-115	3rd 10' (3 m) Section
BH-125	N/A
BH-140	4th 10' (3 m) Section
BH-150	N/A
BH-175	N/A
BH-200	N/A

Description	Part Number
Turbulator Adapter 2.5' (76.2 cm)	03051503
Turbulator Section 2' (61 cm)	03051504
Turbulator Section 2.5' (76.2 cm)(Stainless)	03051505
Tube	91409XXX

Step 6.5 Reflector Installation

**⚠ WARNING**



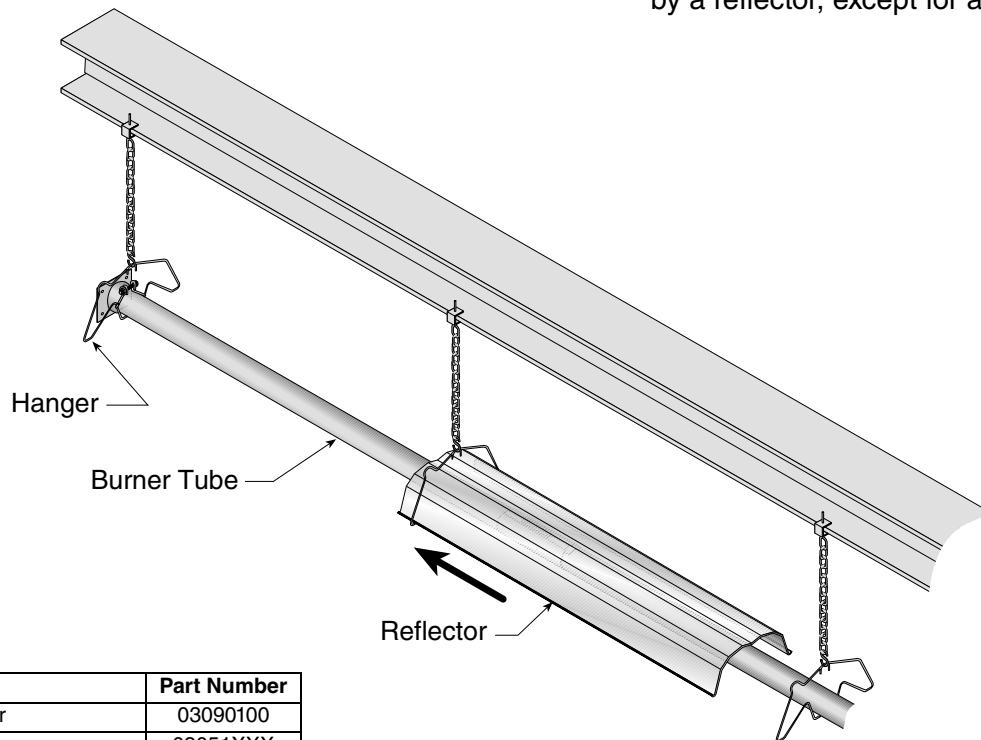
**Fire Hazard**

Support reflector with reflector hanger and support strap.

Reflector must not touch tube.

Failure to follow these instructions can result in death, injury or property damage.

**NOTE:** All tube surfaces must be covered by a reflector, except for a U-tube.



Description	Part Number
Tube/Reflector Hanger	03090100
Burner Tube	03051XXX
Reflector	02750303



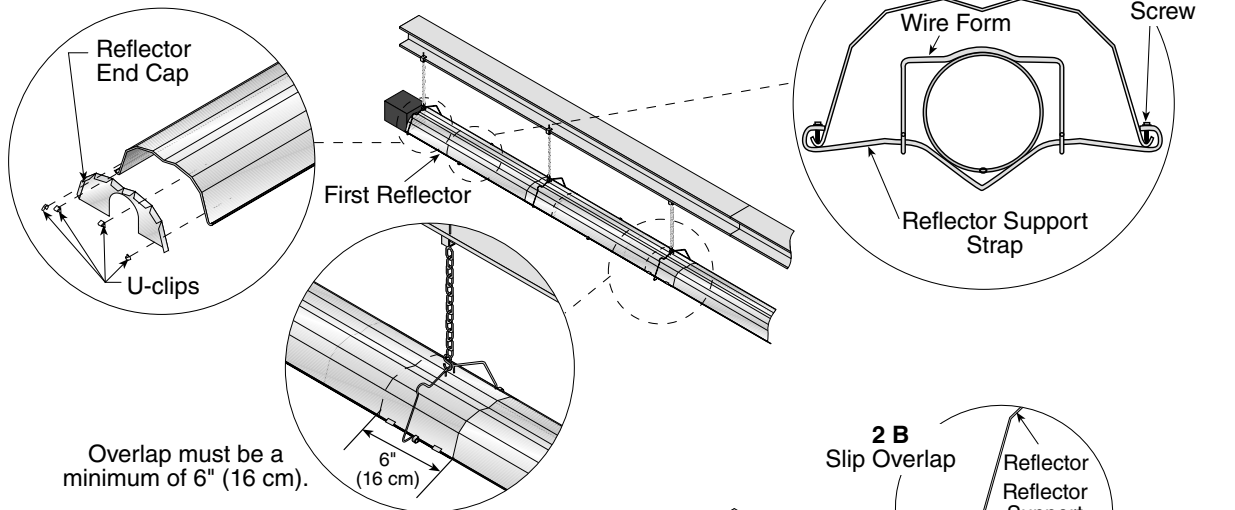
### Step 6.5.1 Reflector, U-Clip and Reflector Support Installation

The pictorial drawings of the heater construction in *Section 6* are schematic only and provide a general guideline of where hangers, reflector supports and U-clips are to be installed.

To ensure proper expansion and contraction movement of the reflectors, a combination of U-clips and reflector supports are used. The positioning of

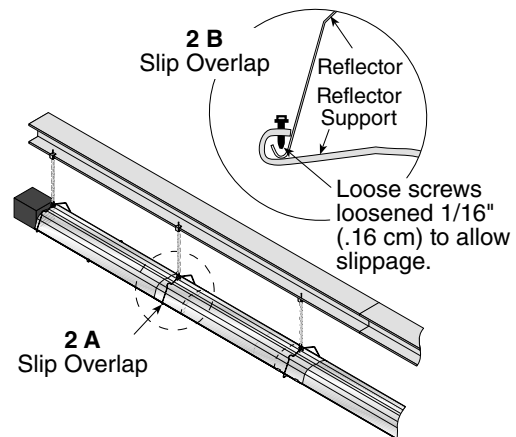
reflector supports and U-clips depend on the individual installation. Use either pop rivets or sheet metal screws instead of u-clips when installing end caps and joint pieces in areas where impact and high wind may be a factor. The following rules must be observed.

1. The first reflector after the burner must be affixed in the middle of the reflector with a reflector support and tight screws.



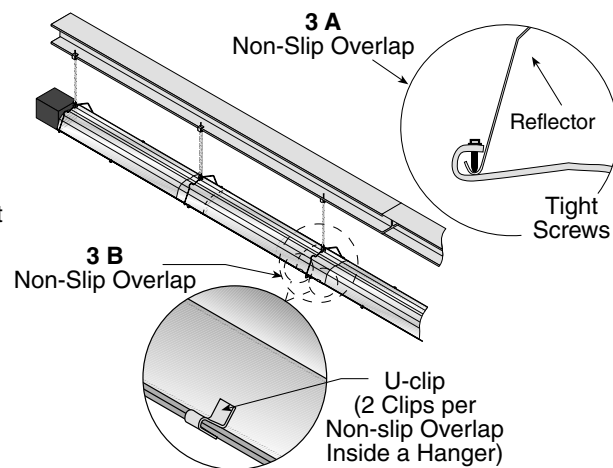
Overlap must be a minimum of 6" (16 cm).

2. The overlap at the first and second reflector is a **slip overlap**. Thereafter, every third reflector joint is a slip overlap. A slip overlap is achieved by either:
- both reflectors lay inside a hanger. (No reflector support needed.)
  - using a reflector support with loose screws at the reflector overlap.



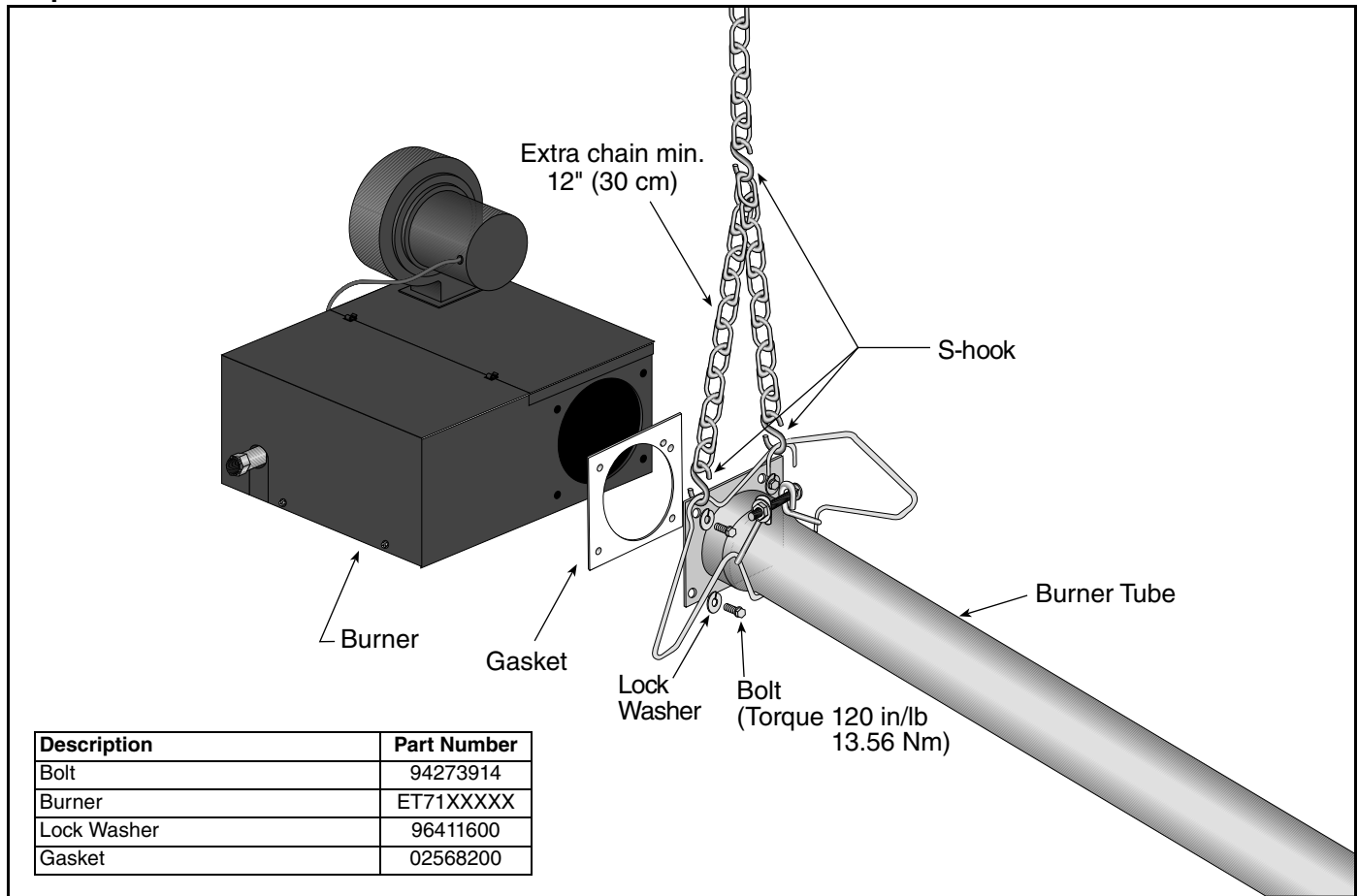
3. The remaining reflector overlaps require a **non-slip overlap** connection. To affix the reflectors together in a non-slip overlap either:
- use reflector support and tight screws.
  - if both reflectors lay inside a hanger, u-clips or sheet metal screws may be used.

This section of three reflectors joined together must be affixed to the tube with at least one reflector support with tight screws.



Description	Part Number
<b>Reflector Support Package</b>	<b>03050010</b>
Wire Form	91908004
Reflector Support Strap	03050000
Screw #8 x 3/4"	94320812
U-Clip Package	91107720
Reflector End Cap	027508XX

### Step 6.6 Burner Installation



**SECTION 7: OPTIONAL HEATER ACCESSORIES**

<b>! WARNING</b>

<b>Cut/Pinch Hazard</b>
<b>Wear protective gear during installation, operation and service.</b>
<b>Edges are sharp.</b>
<b>Failure to follow these instructions can result in injury.</b>

**7.1 U-Tube Configuration**

Heaters (except BH-40) are approved for optional U-tube configurations.

The U-tube may be installed in either a standard horizontal position, a 45° position or in an opposite 45° position as shown on *Page 7, Figure 7 through Page 8, Figure 9*. When using a U-tube configuration, the following additional rules must be adhered to:

- A minimum of 10' (3 m) on BH-60/80 and a minimum of 15' (4.5 m) on BH-100/115/125/140/150/175/200 is required between the burner and the U-tube.
- The correct turbulator (*See Page 21, Step 6.4*) must be installed in the last standard section of the tube.
- The burner must never be operated in a tilted position.
- The heater must be properly supported at all locations. *See Page 27, Figure 19.*

**FIGURE 18: U-Tube Heater Assembly Overview**

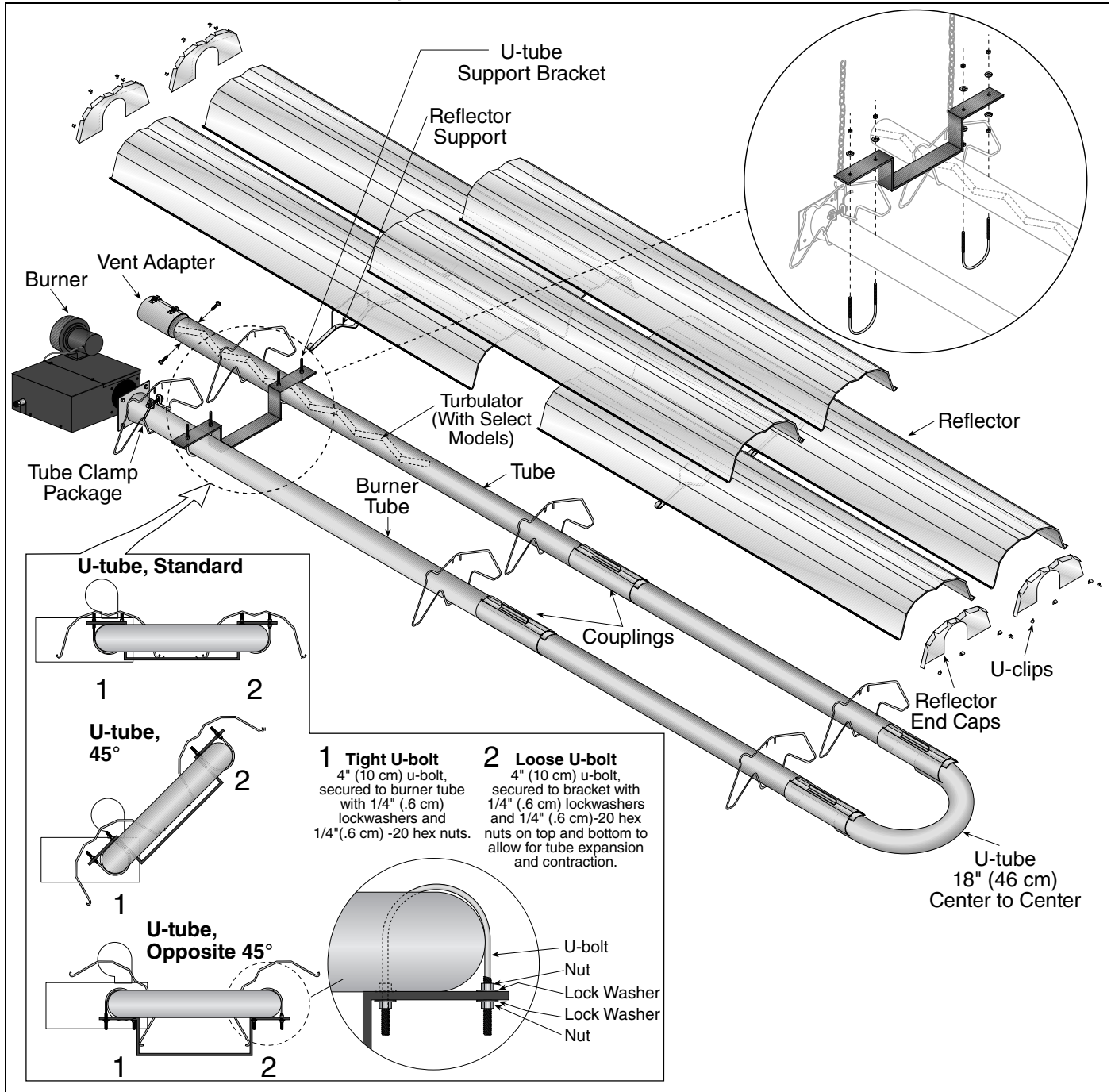
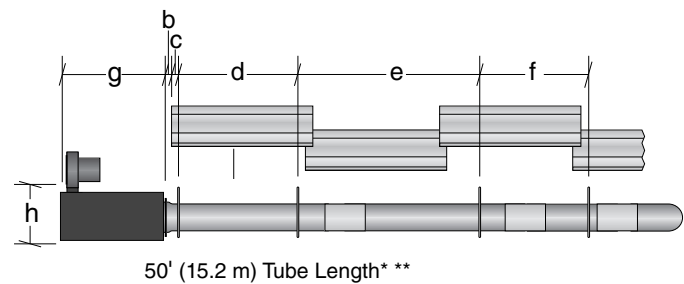
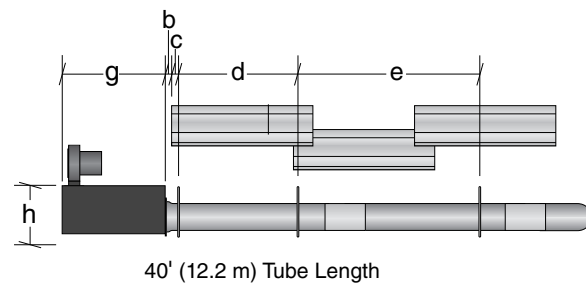
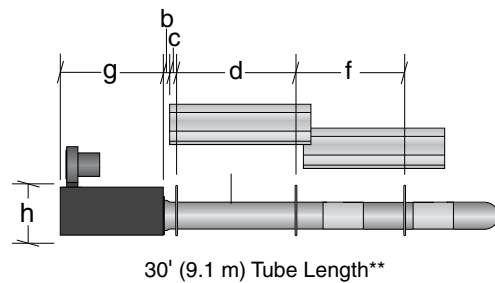
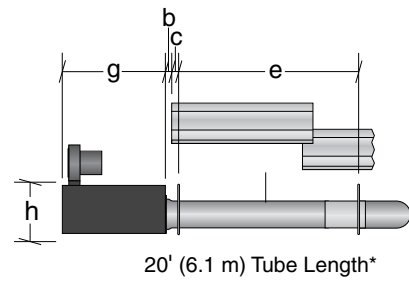
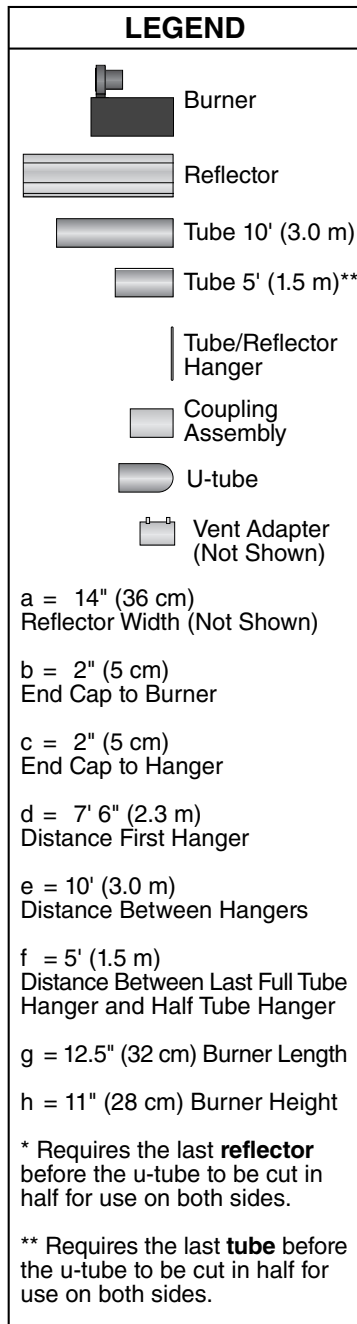
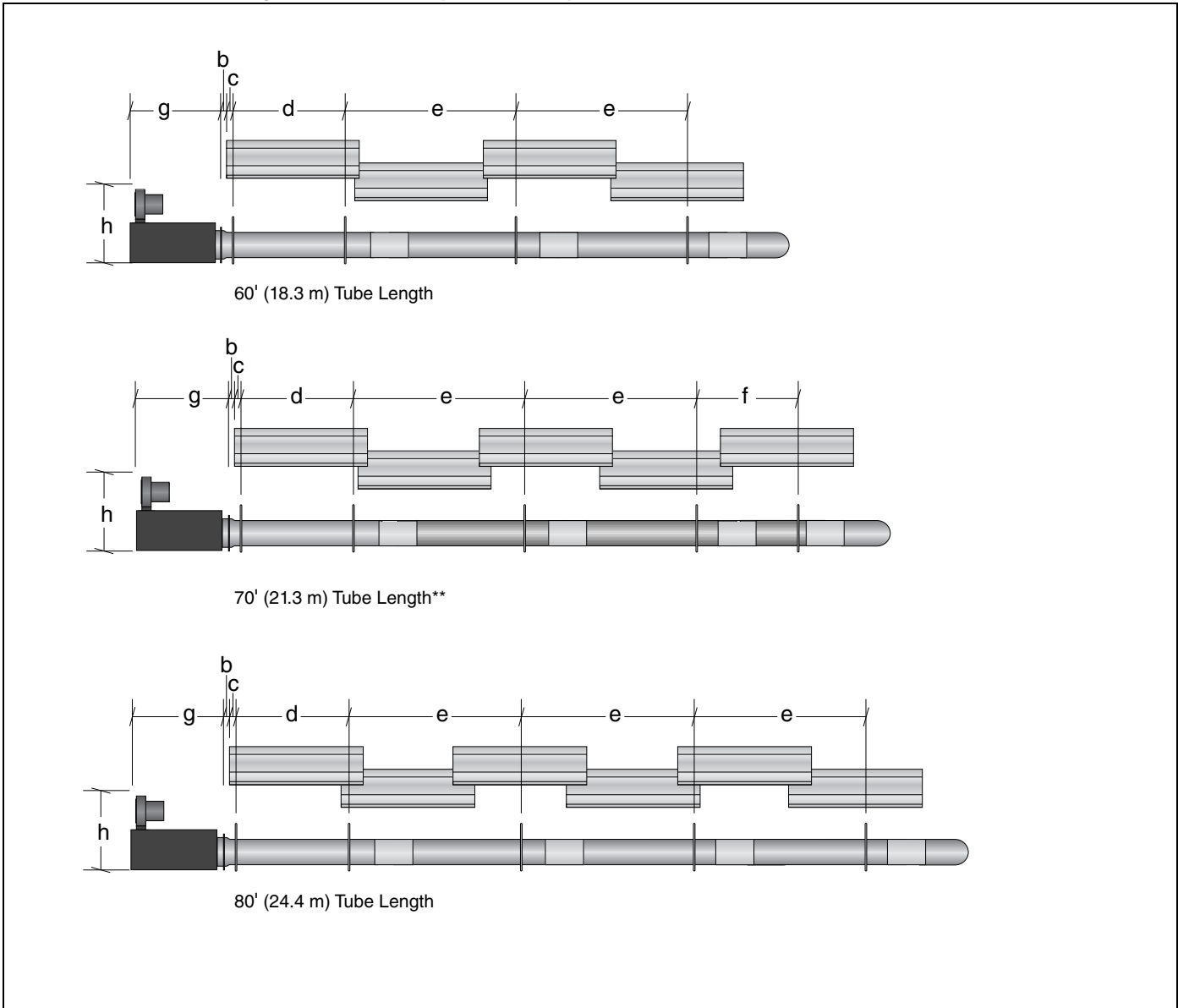


FIGURE 19: U-Tube Heater Layout Overview



**FIGURE 20: U-Tube Layout Overview (Continued)**



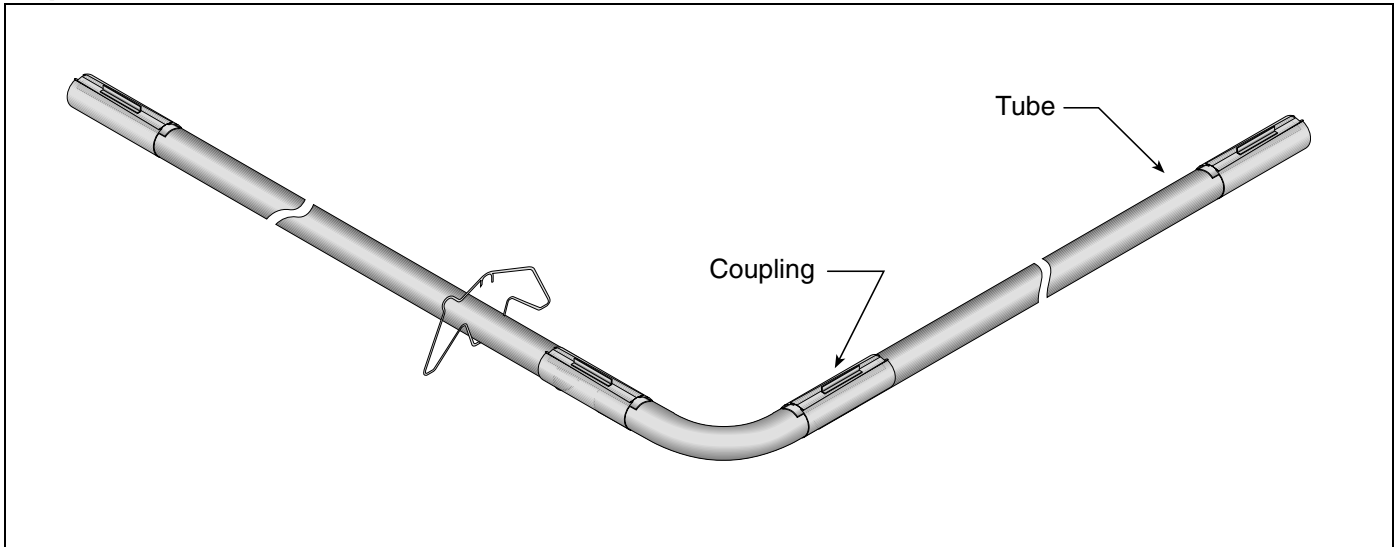
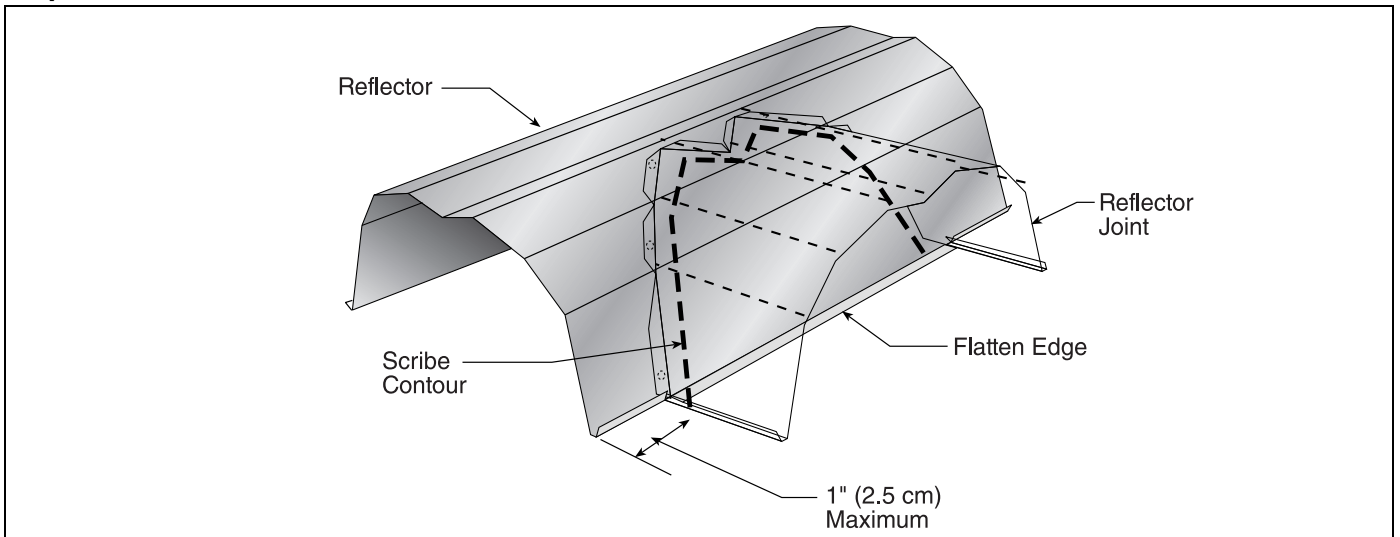
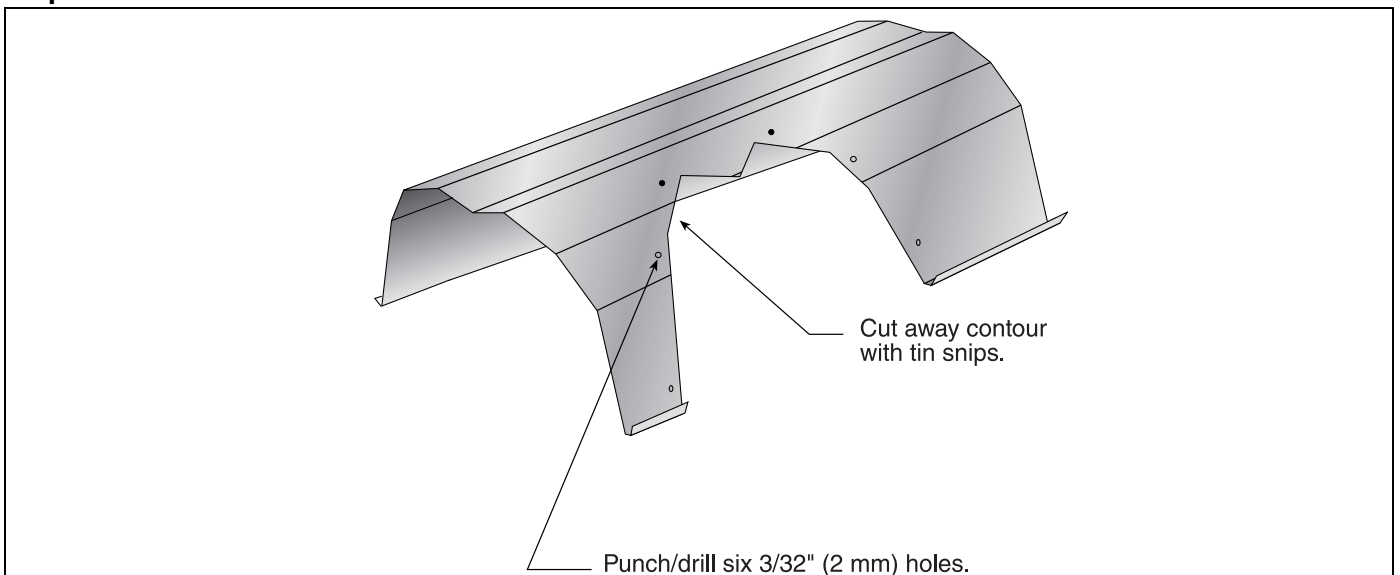
**7.2 Elbow Package Configuration**

**Step 7.2.1 Elbow Installation**

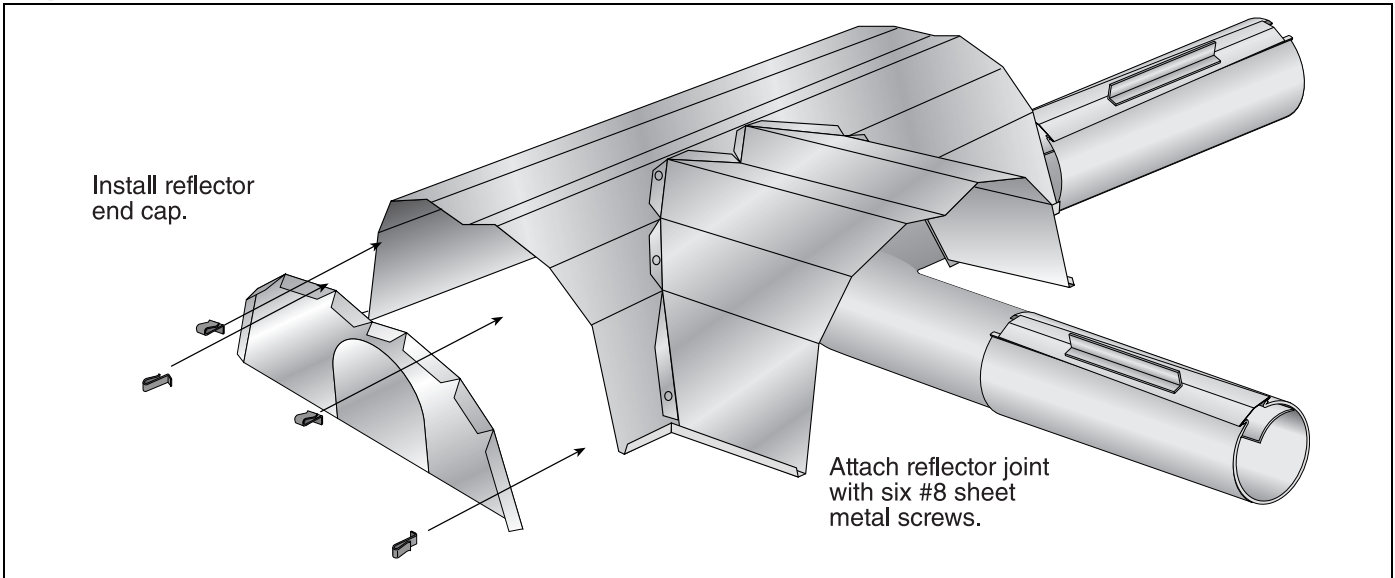
The diagram shows a 90-degree elbow being installed onto a tube. A coupling is used to connect the elbow to the tube. Labels include 'Tube', 'Coupling', and '90° Elbow'.

Description	Part Number
<b>Elbow Package</b>	<b>02718702</b>
90° Elbow	01335801
Coupling	01312700
Reflector End Cap	02750800
Reflector Joint Piece	02750900
<b>U-Clip Package</b>	<b>91107720</b>

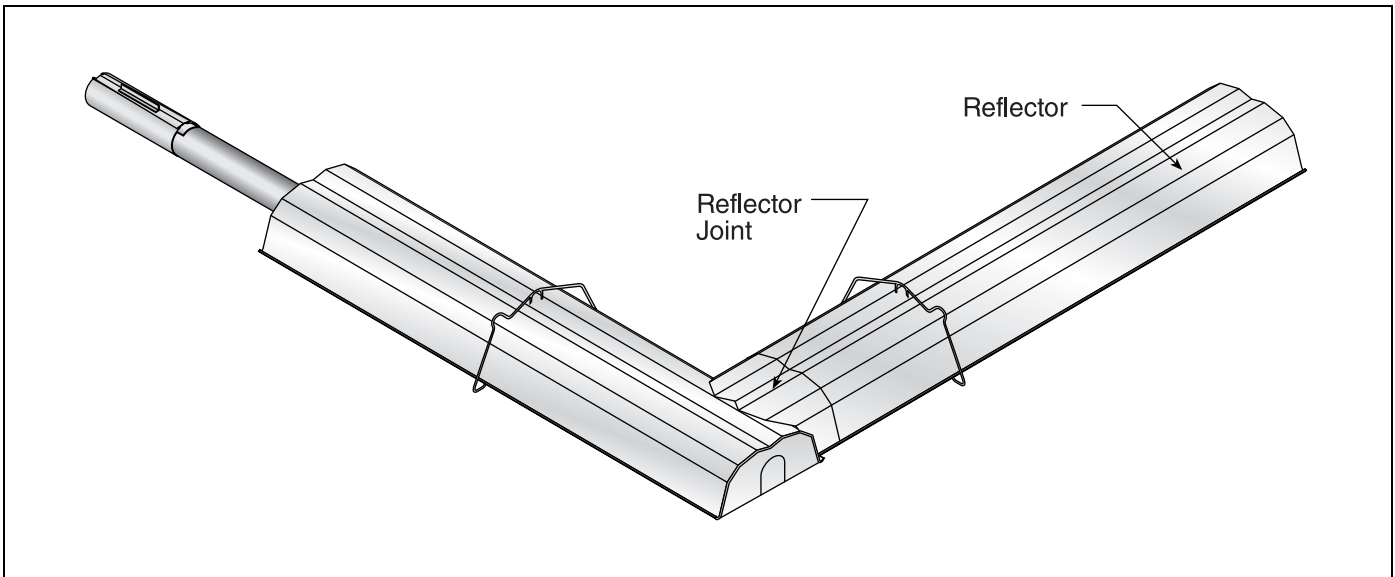
Minimum Distance Required Between Burner and Elbow	
Model	Minimum Distance
BH-40	10' (3 m)
BH-60	10' (3 m)
BH-80	10' (3 m)
BH-100	15' (4.5 m)
BH-115	15' (4.5 m)
BH-125	15' (4.5 m)
BH-140	15' (4.5 m)
BH-150	15' (4.5 m)
BH-175	15' (4.5 m)
BH-200	15' (4.5 m)

**Step 7.2.2 Elbow Installation****Step 7.2.3 Reflector Joint Installation****Step 7.2.4 Reflector Joint Installation**

### Step 7.2.5 Reflector Joint Detail



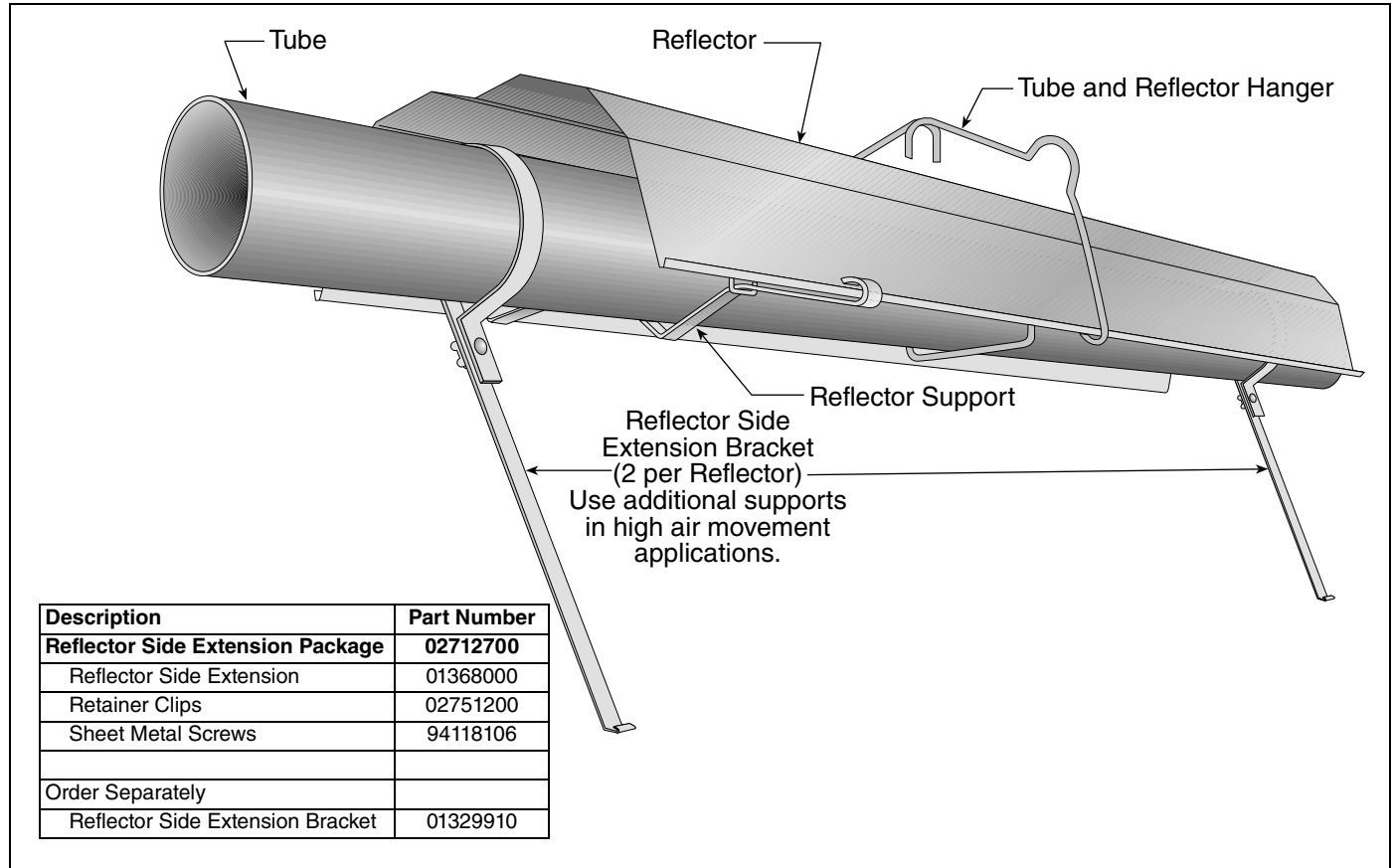
**FIGURE 21: Reflector Joint Detail**



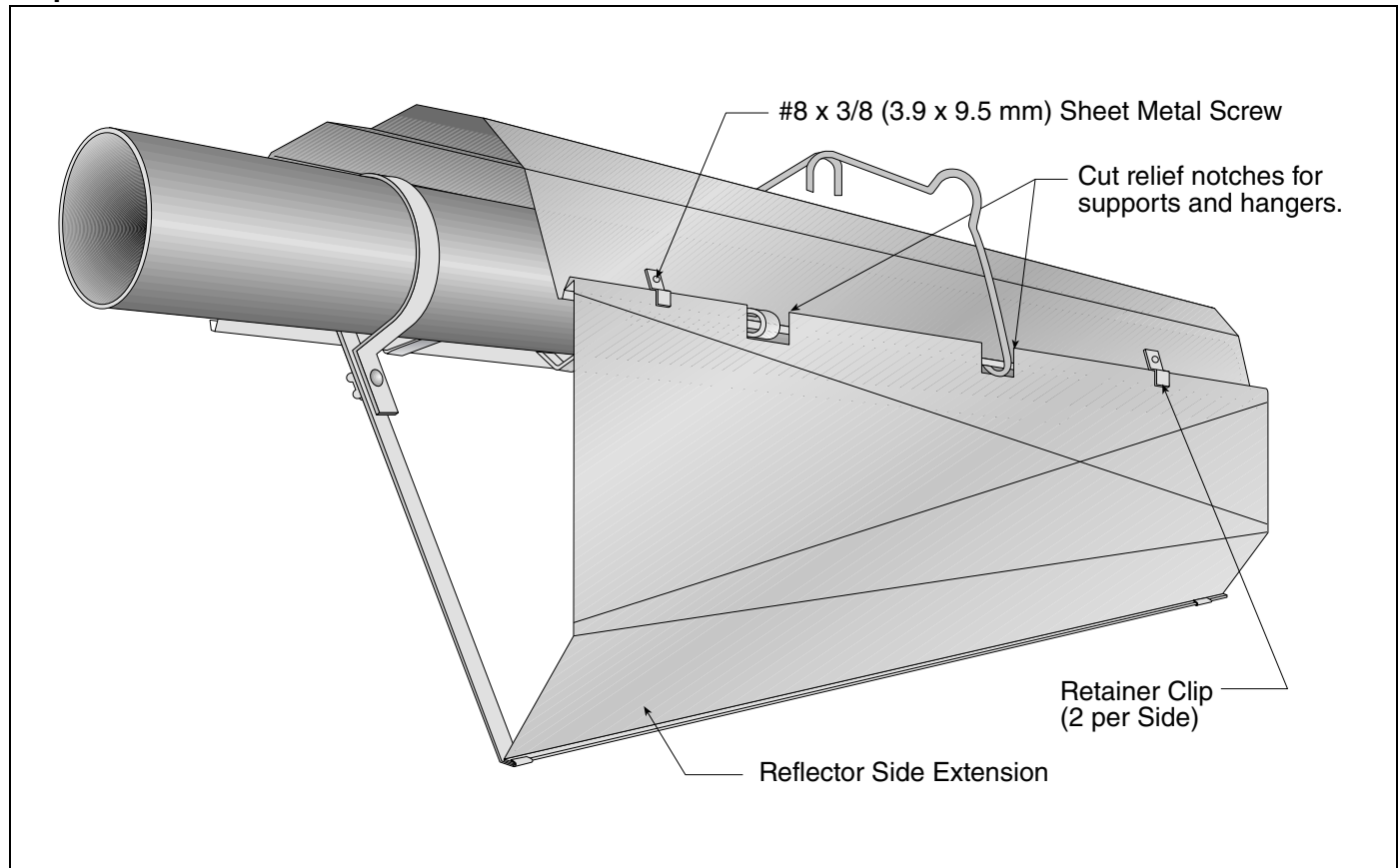


## 7.3 Reflector Side Extension

### Step 7.3.1 Bracket Installation

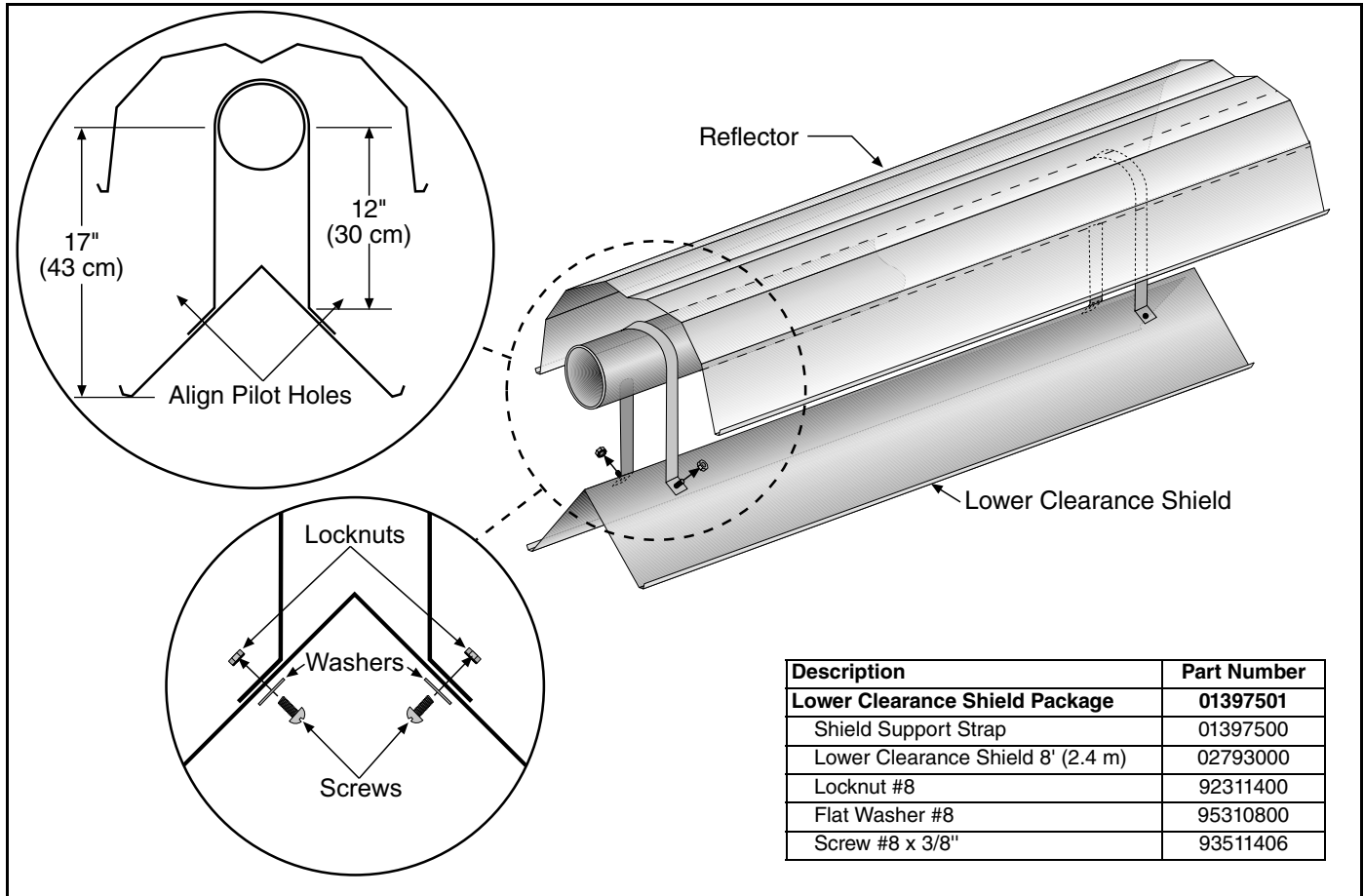


### Step 7.3.2 Side Reflector Installation



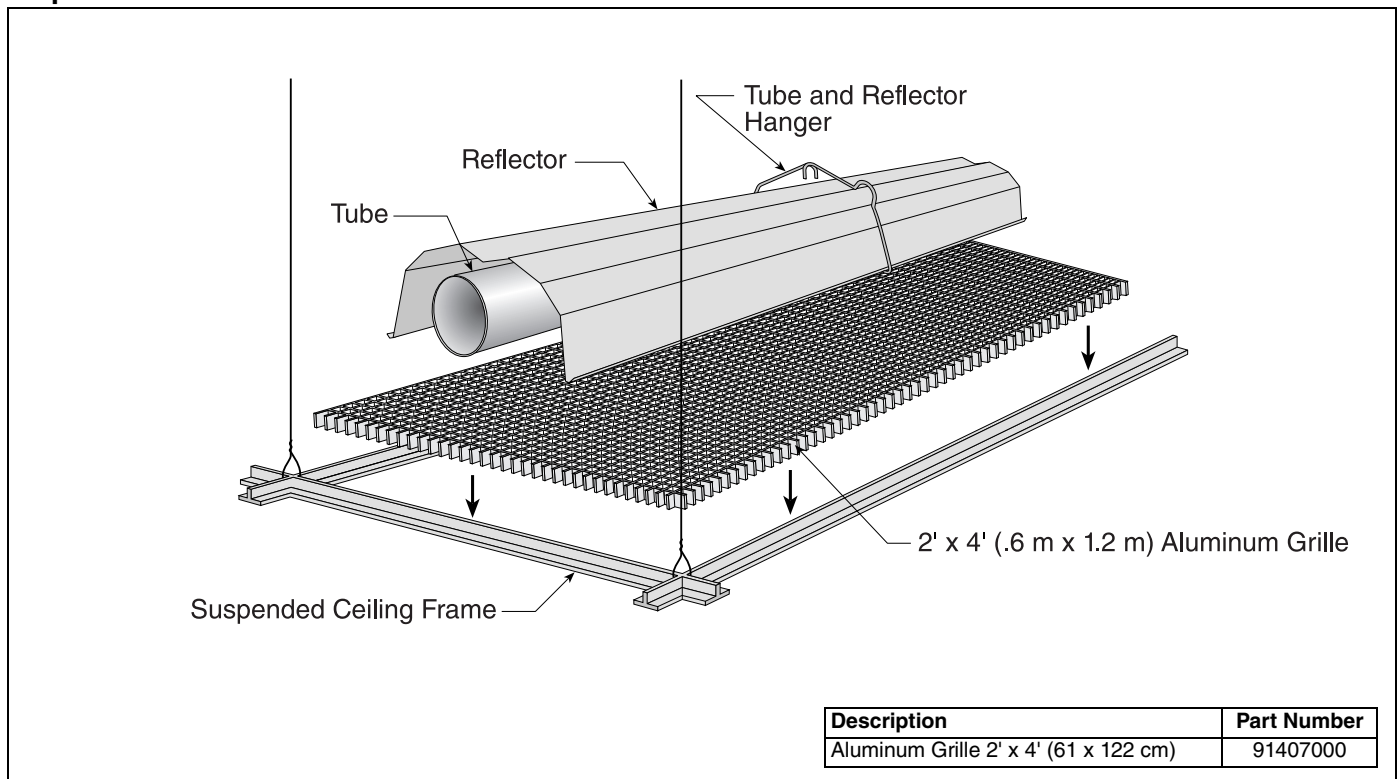
## 7.4 Lower Clearance Shield Installation

### Step 7.4.1 Shield Support Strap Assembly

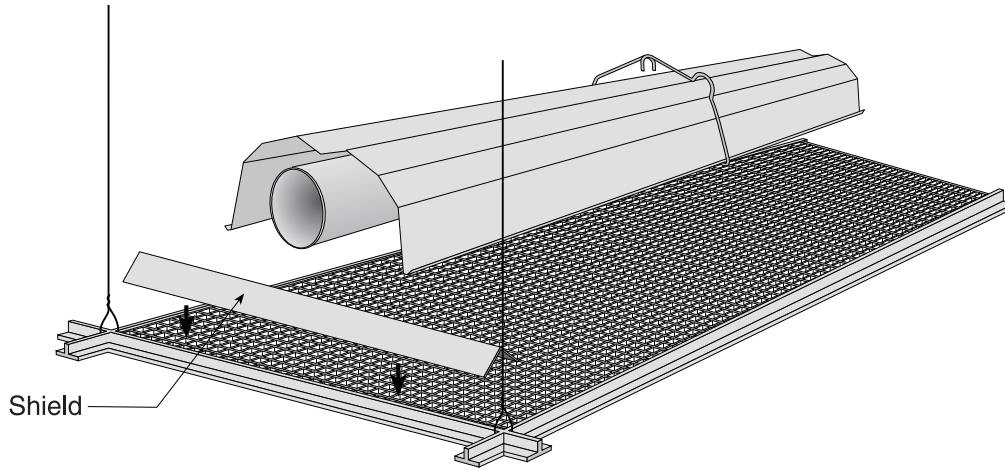


## 7.5 Two-Foot Decorative Grille Installation

### Step 7.5.1 Grille Installation



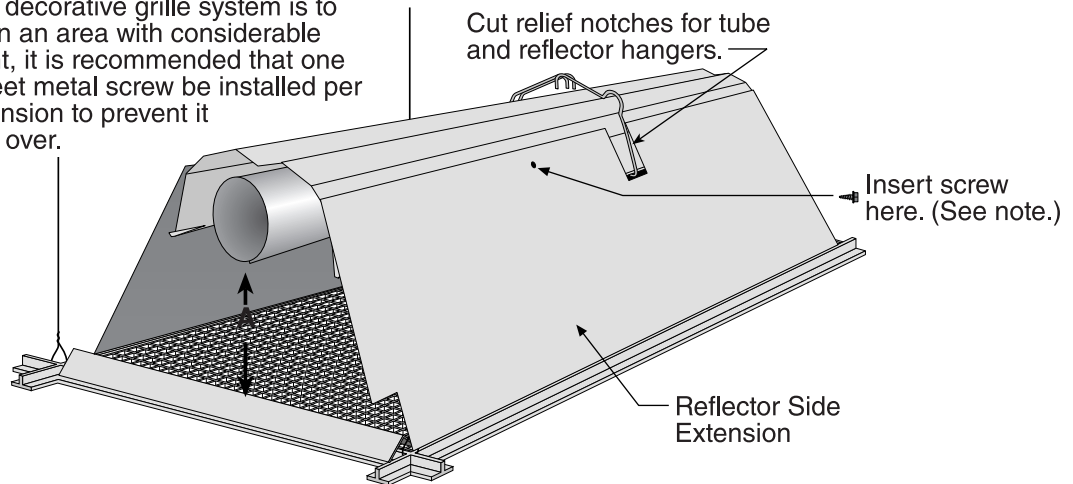
**Step 7.5.2 Frame Shield Installation**



Description	Part Number
Deco Grille Shield	01365900

**Step 7.5.3 Reflector Side Extension Installation for Decorative Grilles**

**NOTE:** If the decorative grille system is to be installed in an area with considerable air movement, it is recommended that one #8 x 3/8" sheet metal screw be installed per reflector extension to prevent it from blowing over.

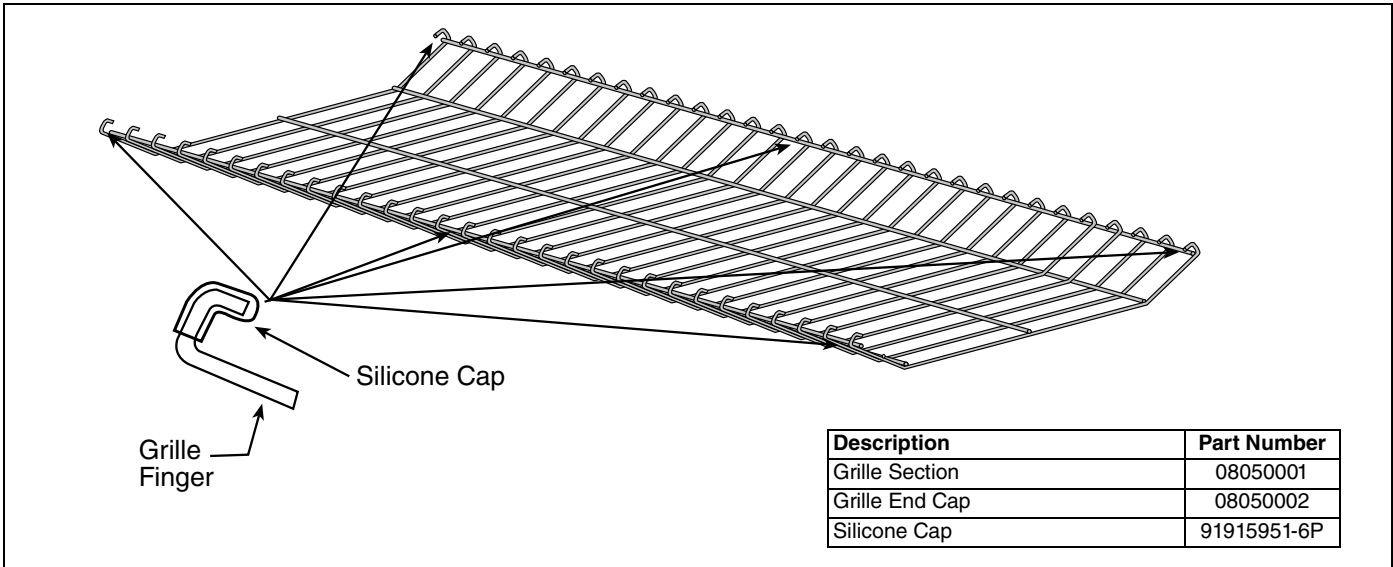


Distance "A"		Extension	
Minimum	Maximum	Part No.	Width
2" (4 cm)	6" (15 cm)	01370408	8" (20 cm)
6" (15 cm)	10" (26 cm)	01370412	12" (30 cm)
10" (26 cm)	14" (37 cm)	01370416	16" (40 cm)

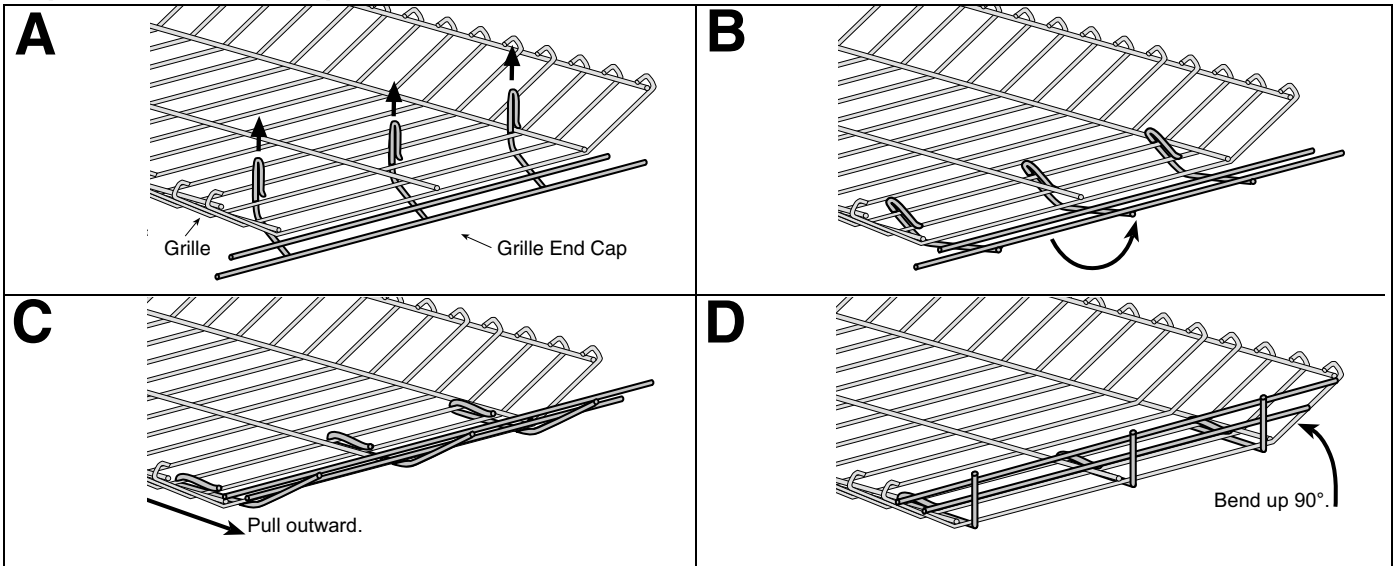
Description	Part Number
Reflector Side Extension	01370412

## 7.6 Protective Grille Installation

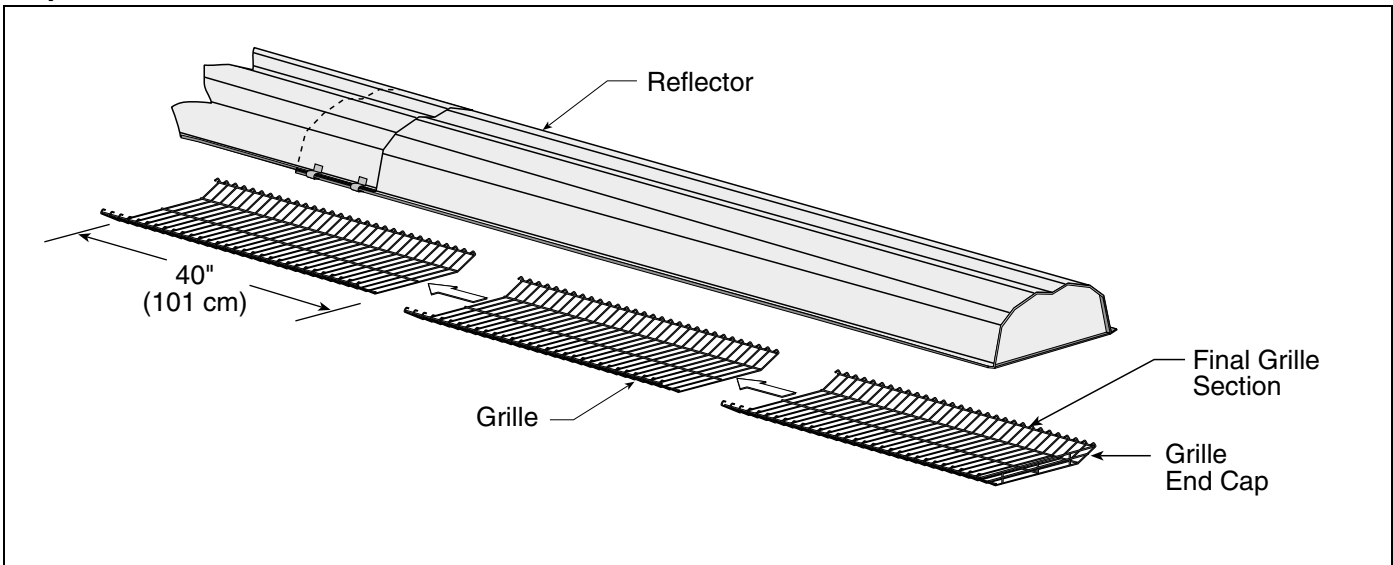
### Step 7.6.1 Silicone Cap Installation



### Step 7.6.2 Grille End Cap Installation



### Step 7.6.3 Grille Installation



## SECTION 8: VENTING

**⚠ WARNING****Carbon Monoxide Hazard**

**Heaters installed unvented must be interlocked with sufficient building exhaust.**

**Heaters must be installed according to the installation manual.**

**Failure to follow these instructions can result in death or injury.**

**⚠ WARNING****Cut/Pinch Hazard**

**Wear protective gear during installation, operation and service.**

**Edges are sharp.**

**Failure to follow these instructions can result in injury.**

**8.1 Venting**

This heater must be vented in accordance with the rules contained in this manual and with the following national codes and any state, provincial or local codes which may apply:

**United States:** Refer to National Fuel Gas Code NFPA 54/ANSI Z223.1 - latest revision.

**Canada:** Refer to Natural Gas and Propane Installation Code CSA B149.1 - latest revision.

Exhaust end of heater will accept a 4" (10 cm) vent pipe using the vent adapter (P/N 90502700). To prevent leakage of condensation, install the vent adapter with the seam on top and seal the joint using a high temperature silicone sealant.

Any portion of vent pipe passing through a combustible wall must have an approved thimble to conform with the above listed codes.

Vent pipe must be sloped downward away from the heater 1/2" (1 cm) for every 20' (6 m).

The heater may be individually vented or common vented. When venting horizontally, a maximum of two heaters can be commonly vented. See Page 37, Section 8.9. When venting vertically, a maximum of four heaters can be commonly vented. See Page 38, Section 8.10.

The heater may also be installed unvented in certain circumstances according to building ventilation codes. Refer to the above codes and Page 36, Section 8.2 for further information. Unvented operation also requires compliance with the clearances to combustibles given on Page 9, Figure 12.

The bottom of the vent or air intake terminal shall not be located less than 1' (0.3 m) above grade level.

The vent shall not terminate less than 7' (2.1 m) above grade where located adjacent to public walkways.

Vent terminal must be installed at a height sufficient to prevent blockage by snow, and building materials protected from degradation by flue gases.

Secure all joints with #8 x 3/8 sheet metal screws. Seal all joints with high temperature silicone sealant.

Vent terminal must be beyond any combustible overhang.

**8.1.1 United States Requirements**

Vent must terminate at least 3' (0.9 m) above any forced air inlet located within 10' (3.1 m).

Vent must terminate at least 4' (1.2 m) below, 4' (1.2 m) horizontally from, or 1' (0.3 m) above any door, operable window, or gravity air inlet into any building.

**8.1.2 Canadian Requirements**

The vent shall not terminate within 6' (1.8 m) of a mechanical air supply inlet to any building.

The vent shall not terminate within 3' (0.9 m) of a window or door that can be opened in any building, any non-mechanical air supply inlet to any building, or of the combustion air inlet of any other appliance.

### 8.2 Unvented Operation

Sufficient ventilation must be provided in the amount of 4 cfm per 1000 Btu/h firing rate (United States); 3 cfm per 1000 Btu/h firing rate (Canada).

Use of optional outside combustion air is not recommended with unvented heaters.

If exhaust fans are used to supply ventilation air, an interlock switch must be used to prevent the heater from coming on when the fans are off. This may be done using a pressure switch.

### 8.3 Horizontal Venting

In noncombustible walls only, vent terminal (P/N 02537801-1P) may be used.

For 4" (10 cm) vents in either combustible or noncombustible walls, use Tjernlund VH1-4 (P/N 90502100) or equivalent, insulated vent terminal. Follow the manufacturer's instructions for proper installation.

For 6" (15 cm) common vents in either combustible or noncombustible walls, use Tjernlund VH1-6 (P/N 90502101) or equivalent, insulated vent terminal. Follow the manufacturer's instructions for proper installation.

### 8.4 Vertical Venting

For 4" (10 cm) common vent, an approved vent cap (P/N 90502300) must be used.

For 6" (15 cm) common vent, an approved vent cap (P/N 90502302) must be used.

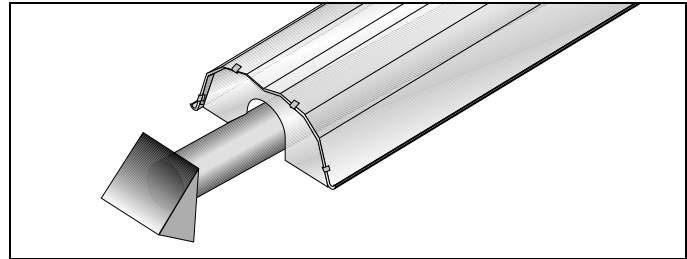
For common vertical venting of more than two heaters, See Page 38, Section 8.10.

A vent shall not extend less than 2' (0.6m) above the highest point where it passes through a flat roof of a building.

### 8.5 Unvented Operation Tube Termination

Turndown type vent terminal with a screen must be installed at the exhaust end of the tube. Vent terminal design shall not incorporate backdraft flap.

**FIGURE 22: Tube Termination**



### 8.6 Length Requirements

The maximum vent length allowed is 45' (13.7 m).

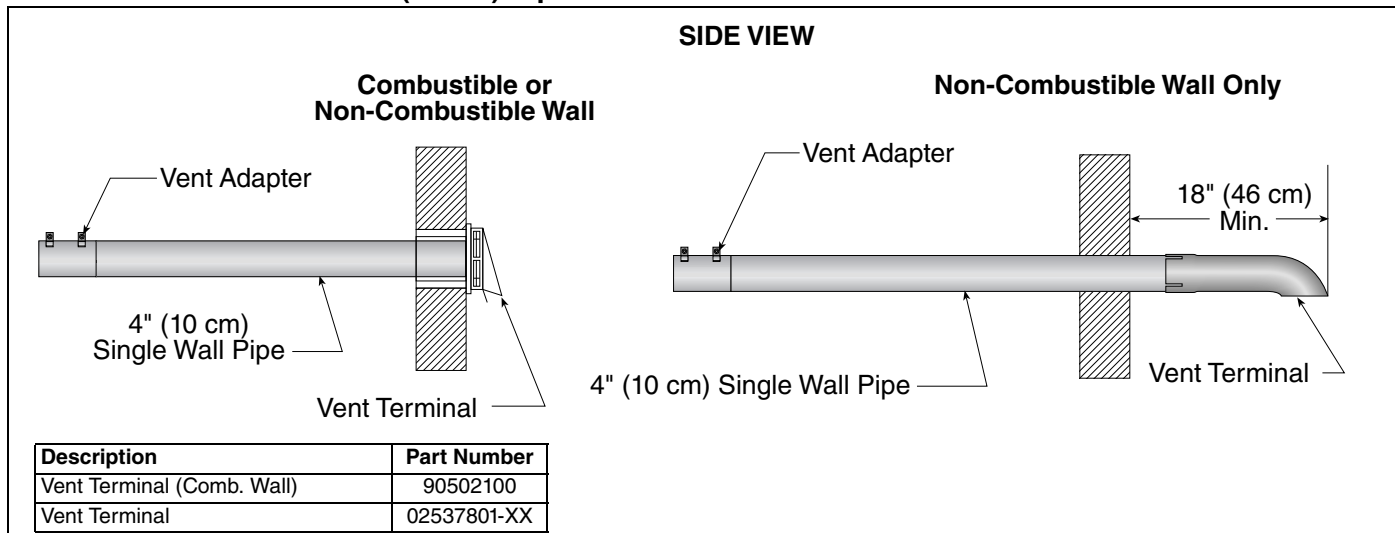
The maximum outside air supply duct length allowed is 45' (13.7 m).

The total vent length, plus outside air duct length, plus any extensions to minimum heat exchanger lengths, cannot exceed 65' (19.8 m).

Vent length should be limited to less than 20' (6 m). If using vent lengths greater than 20' (6 m), condensation will form in the vent pipe. Insulation and additional sealing measures (high temperature silicone at all seams) are required. Optional heat exchanger beyond minimum lengths is considered as vent length for length determination.

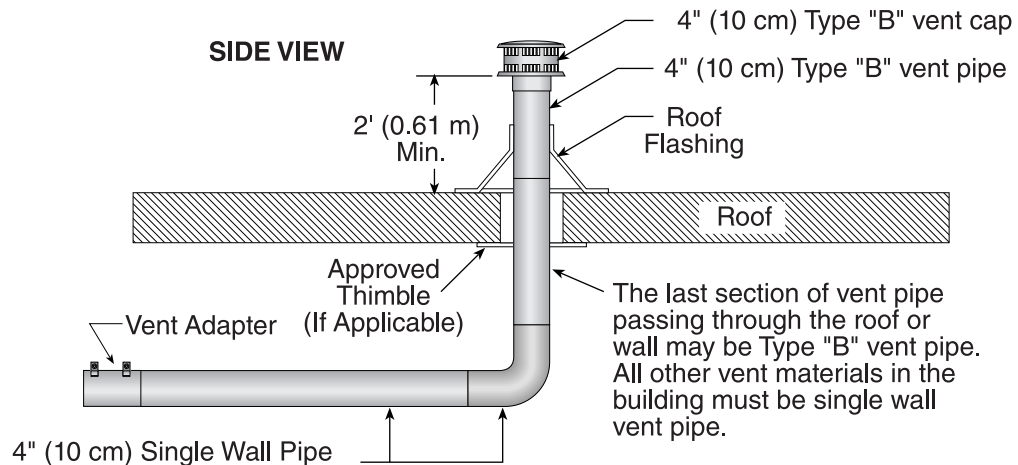
Subtract 15' (4.6 m) of maximum allowed vent or duct length per vent elbow if more than two are used.

### 8.7 Horizontal Ventilation 4" (10 cm) Pipe



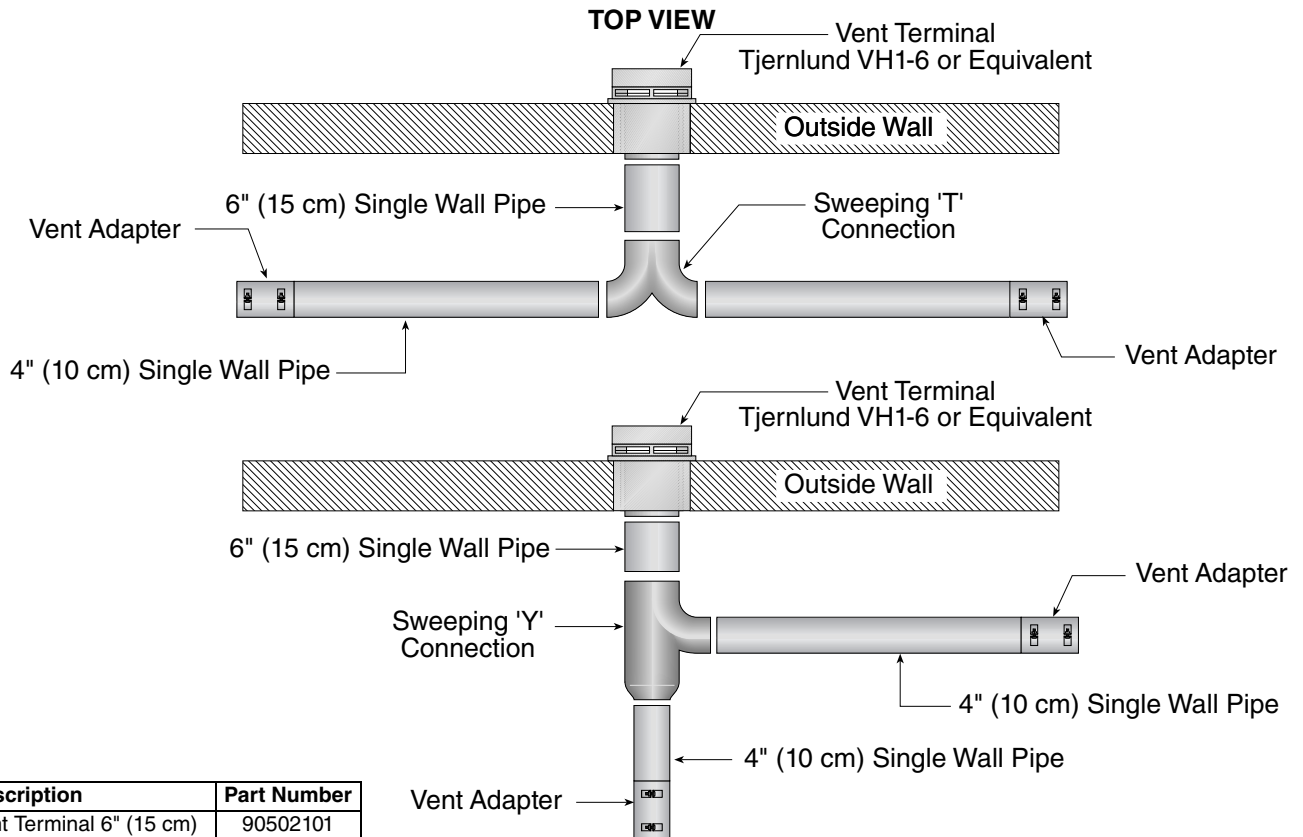


### 8.8 Vertical Ventilation 4" (10 cm) Pipe



Description	Part Number
Vent Cap 4" (10 cm)	90502300

### 8.9 Common Side Wall Venting

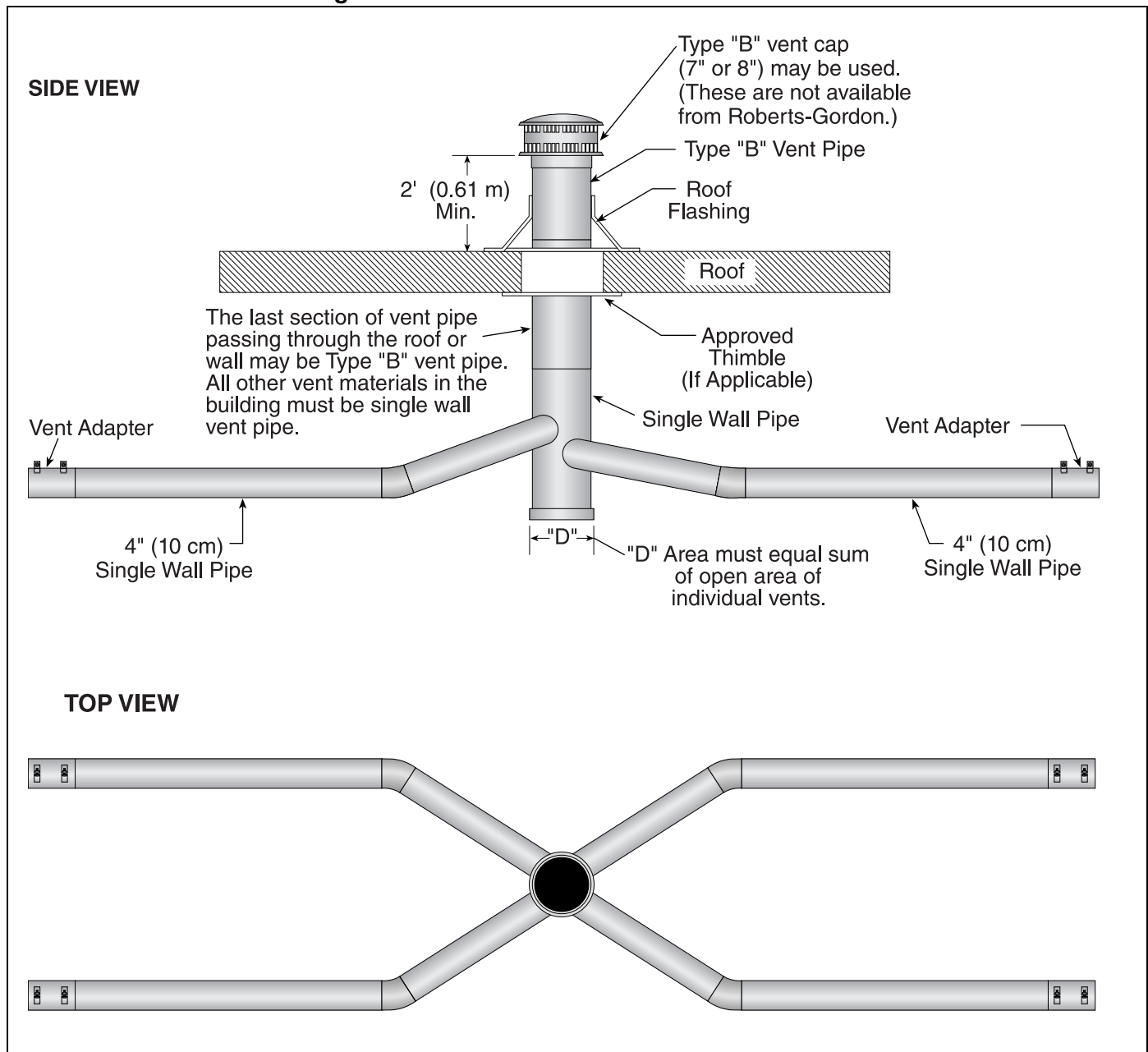


Description	Part Number
Vent Terminal 6" (15 cm)	90502101

#### Requirements:

- Maximum of two heaters can be commonly vented through a side wall.
- Heaters must be of the same BTU output.
- Heaters must be controlled by a common thermostat.

## 8.10 Common Vertical Venting



### Requirements:

- Maximum of four heaters can be commonly vented through the roof.
- Heaters must be of the same BTU output.
- Heaters must be controlled by a common thermostat.
- Connections to a common stack must be positioned to avoid direct opposition between streams of combustion gases.



### 8.11 Outside Combustion Air Supply

**IMPORTANT:** If the building has a slight negative pressure or corrosive contaminants, such as halogenated hydrocarbons, are present in the air, an outside combustion air supply to the heater is required. Seal all combustion air pipe joints.

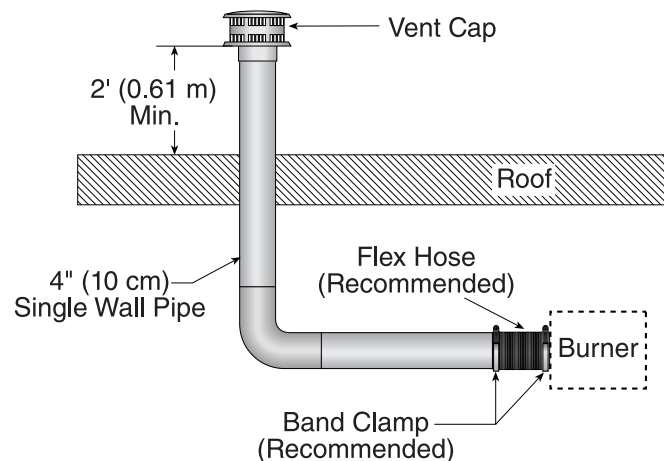
Use of optional outside combustion air is not recommended with unvented heaters.

The air supply duct may have to be insulated to prevent condensation on the outer surface. The outside air terminal must not be more than 1' (31 cm) above the vent terminal.

#### 8.11.1 Length Requirements

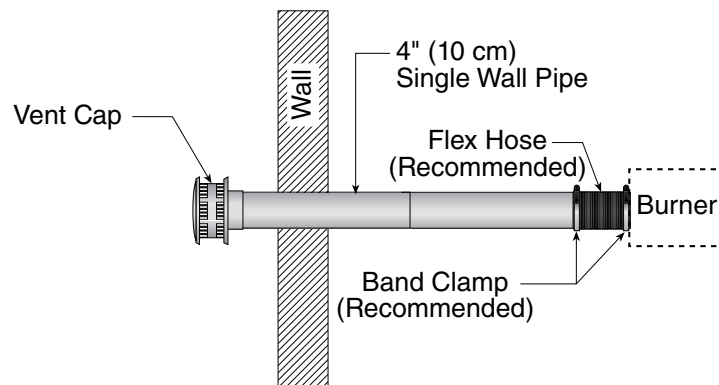
Follow the constraints listed on *Page 36, Section 8.6.*

#### 8.11.2 Vertical Outside Air Supply for Single Heater Installation



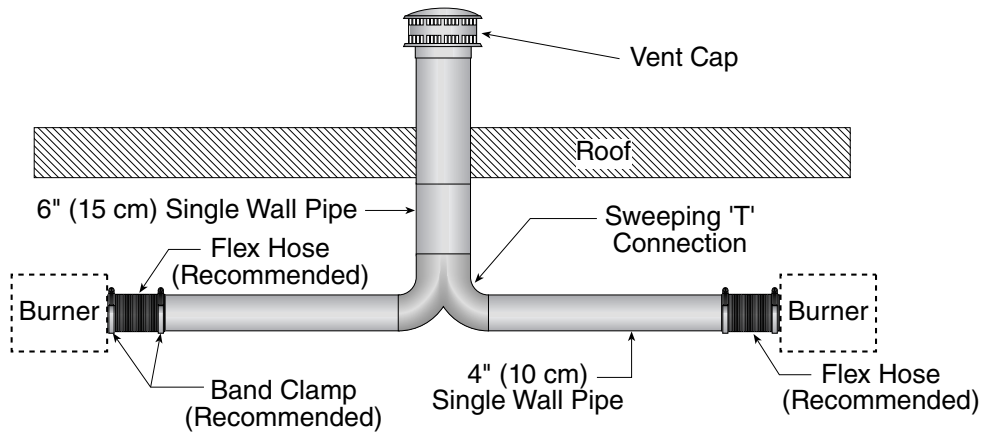
Description	Part Number
Vent Cap 4" (10 cm)	90502300

#### 8.11.3 Horizontal Outside Air Supply for Single Heater Installation



Description	Part Number
Vent Cap 4" (10 cm)	90502300

### 8.11.4 Vertical Outside Air Supply for Double Heater Installation

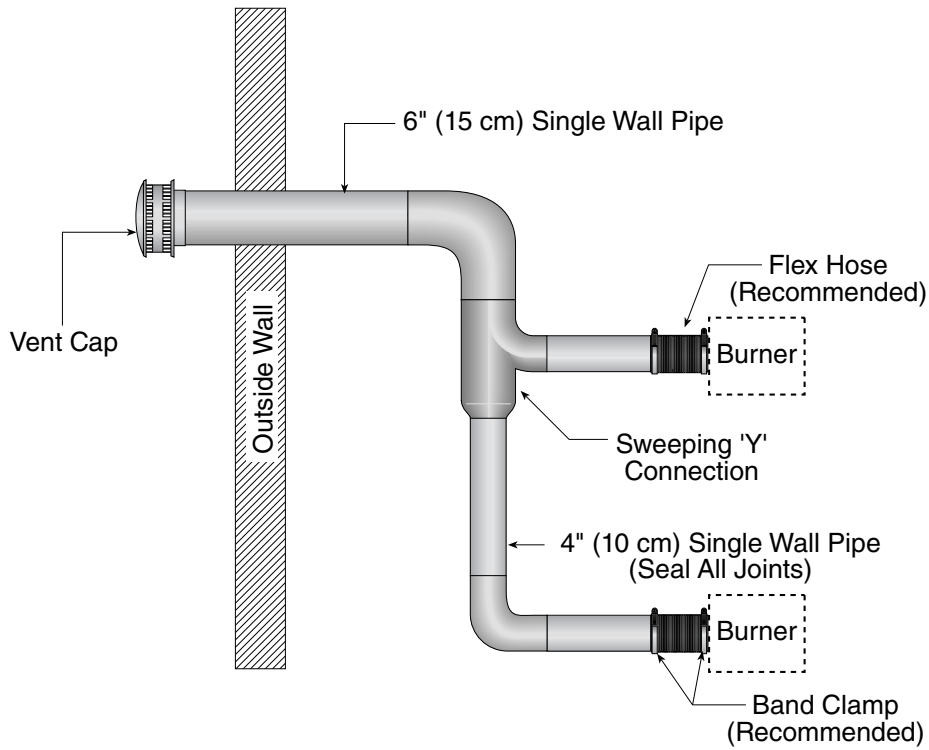


Description	Part Number
Vent Cap 6" (15 cm)	90502302

**Requirements:**

- Heaters must be controlled by a common thermostat.

### 8.11.5 Horizontal Outside Air Supply for Double Heater Installation



Description	Part Number
Vent Cap 6" (15 cm)	90502302

**Requirements:**

- Heaters must be controlled by a common thermostat.

## SECTION 9: GAS PIPING

**⚠ WARNING****Fire Hazard**

**Tighten gas hose fittings to connect gas supply according to Figure 23.**

**Gas hose can crack when twisted.**

**Gas hose moves during normal operation.**

**Use only 36" (91 cm) long connector of 1/2" or 3/4" nominal ID.**

**Connector supplied with heater for U.S. models (not with Canadian models).**

**Failure to follow these instructions can result in death, injury or property damage.**

**⚠ WARNING****Explosion Hazard**

**Leak test all components of gas piping before operation.**

**Gas can leak if piping is not installed properly.**

**Do not high pressure test gas piping with heater connected.**

**Failure to follow these instructions can result in death, injury or property damage.**

Install the gas hose as shown on *Page 42, Figure 23*. The gas hose accommodates expansion of the heating system and allows for easy installation and service of the burner. Before connecting the burners to the supply system, verify that all high pressure testing of the gas piping has been completed. There is an expansion of the tube with each firing cycle; this will cause the burner to move with respect to the gas hose. This can cause a gas leak resulting in an unsafe condition if the gas connection is not made strictly in accordance with *Figure 23 on Page 42*.

Meter and service must be large enough to handle all the burners being installed plus any other connected load. The gas hose which feeds the system must be large enough to supply the required gas with a maximum pressure drop of 1/2" wc. When gas piping is not included in the layout drawing, the local gas supplier will usually help in planning the gas piping.

Gas lines must meet applicable codes:

**United States:** The Flexible Stainless Steel Gas Hose (US models) supplied with the heater is certified per the Standard for Connectors for Gas Appliances, ANSI Z21.24/CSA 6.10 - latest revision.

**Canada:** The Rubber Type 1 Gas Hose (Canadian models) optional with the heater is certified as being in compliance with the Standard for Elastomeric Composite Hose and Hose Couplings for Conducting Propane and Natural Gas, CAN/CGA 8.1 - Latest revision.

- **Check the pipe and tubing ends for leaks before placing heating equipment into service. When checking for gas leaks, use a soap and water solution; never use an open flame.**

**FIGURE 23: Gas Connection with Flexible Gas Hose**

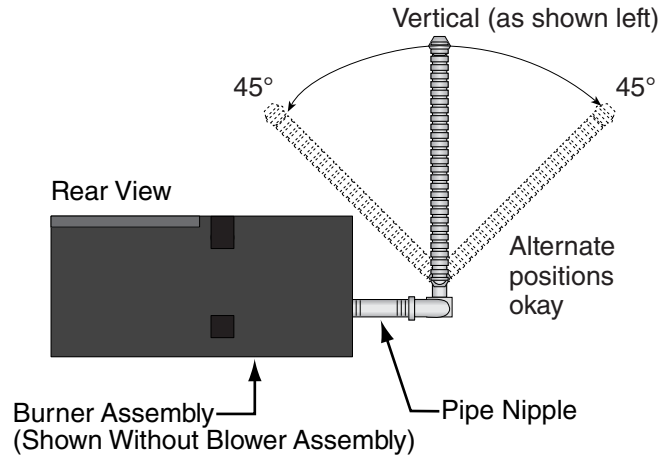
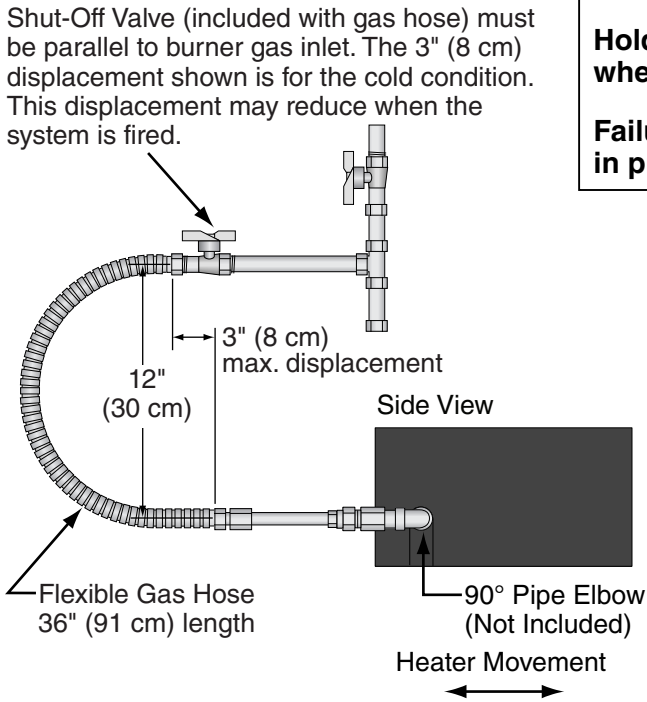
**CORRECT POSITIONS**

**! CAUTION**

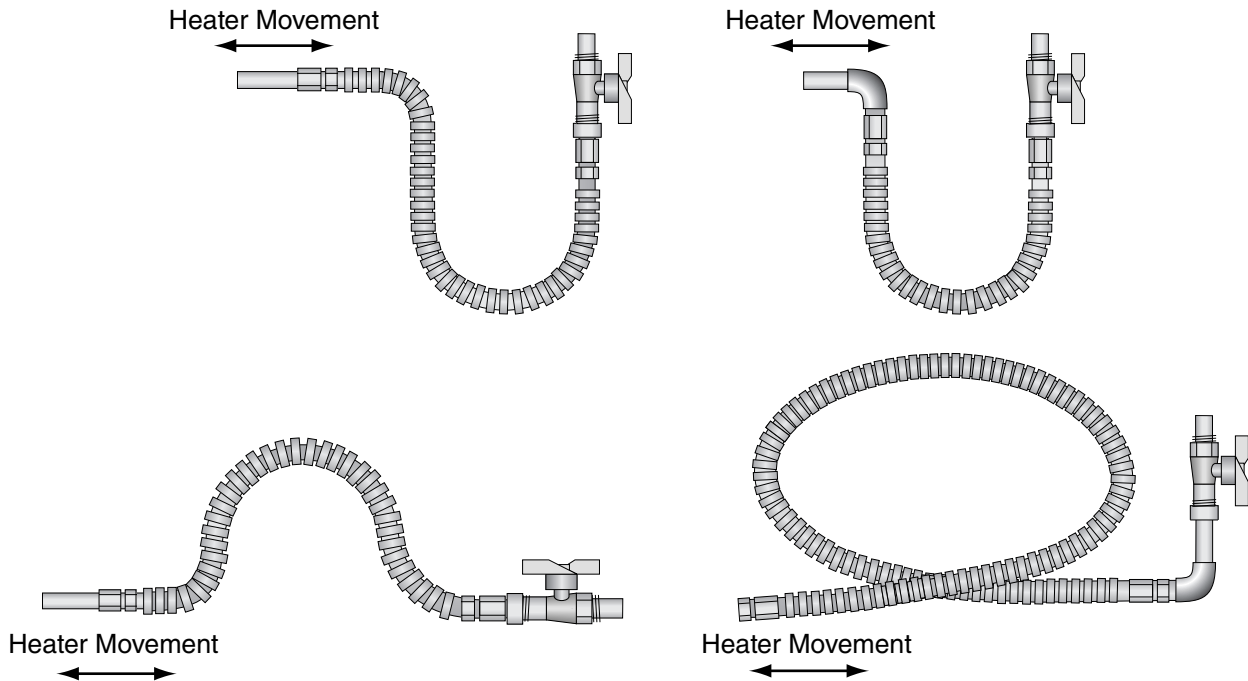
**Product Damage Hazard**

**Hold gas nipple securely with pipe wrench when attaching gas hose.**

**Failure to follow these instructions can result in product damage.**




**INCORRECT POSITIONS (WRONG INSTALLATION)**



Description	Part Number
1/2" Flexible Stainless Steel Gas Hose (US Models)	91412200
3/4" Flexible Stainless Steel Gas Hose (US Models)	91412204
1/2" Rubber Type 1 Gas Hose (Canadian Models)	91412206
3/4" Rubber Type 1 Gas Hose (Canadian Models)	91412207

## SECTION 10: WIRING

**⚠ DANGER**



**Electrical Shock Hazard**

**Disconnect electric before service.**

**Heater must be properly grounded.**

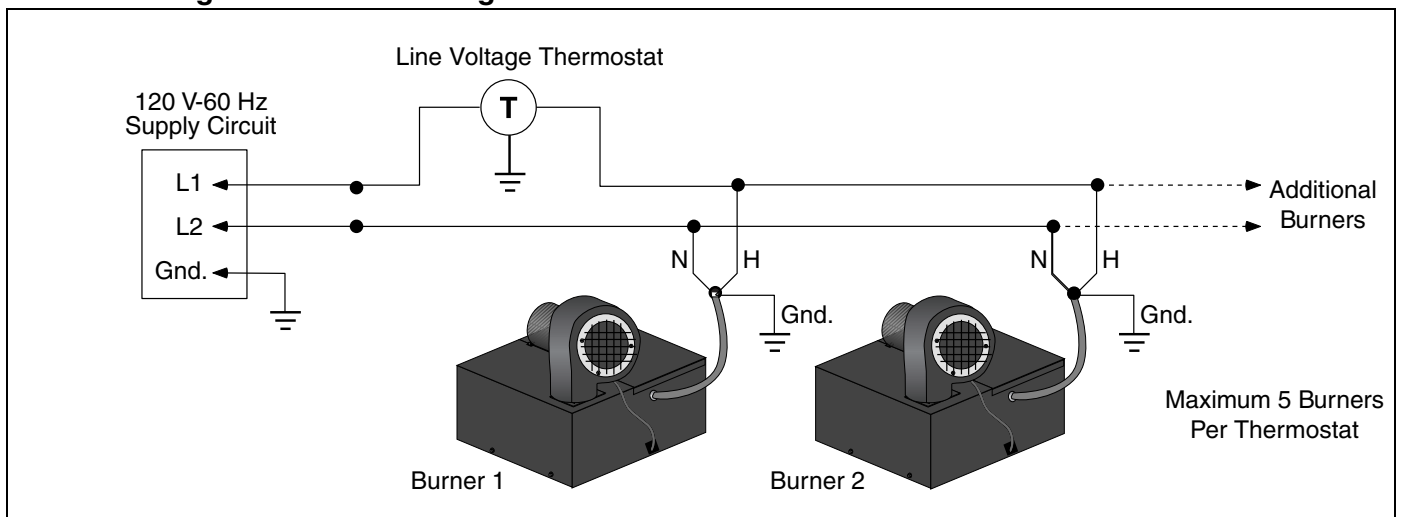
**Failure to follow these instructions can result in death or electrical shock.**

Heaters can be controlled using several methods. Normally thermostats are used to control the heaters but they can also be controlled by an energy management system. *Section 10.1* illustrates the connection for heaters controlled by a line voltage thermostat.

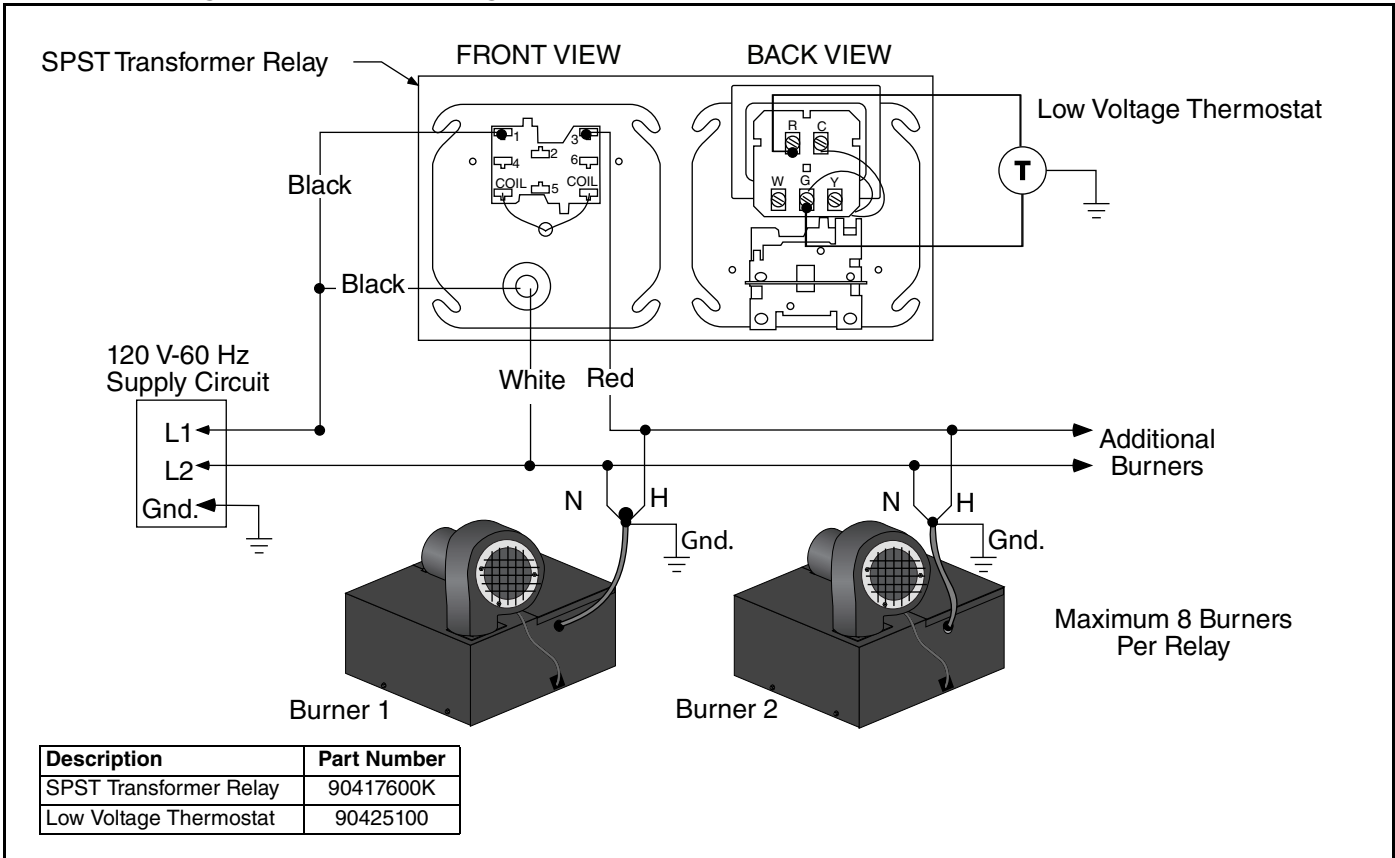
For heaters on a low voltage thermostat, See *Page 44, Section 10.2*. Heaters must be grounded in accordance with applicable codes: United States: Refer to National Electrical Code® NFPA 70 - latest revision; Canada: Refer to Canadian Electrical Code CSA C22.1 Part I - latest revision.

If any of the original internal wiring must be replaced, it must be replaced with wiring materials having a temperature rating of at least 105°C and 600 volts.

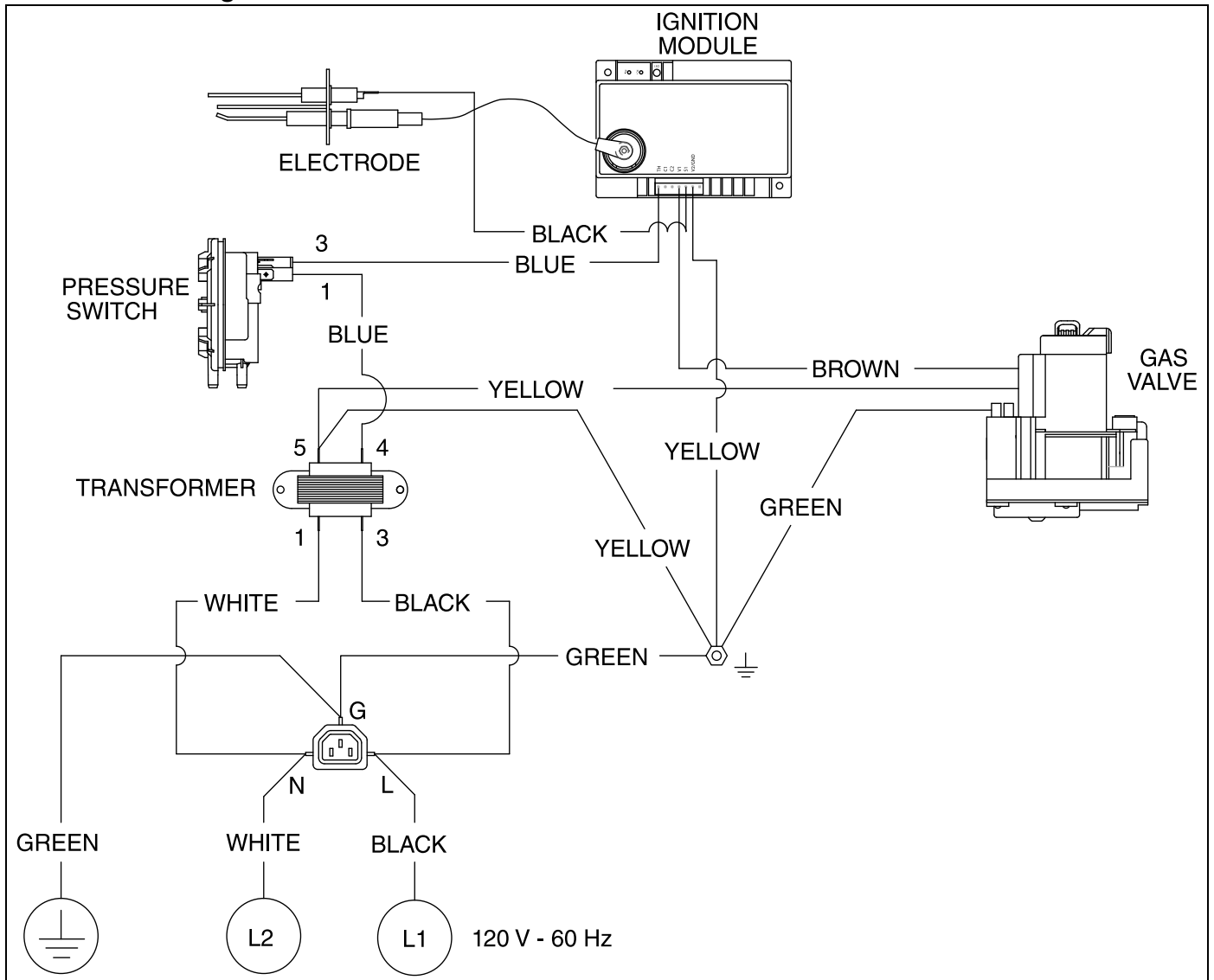
## 10.1 Line Voltage Thermostat Wiring



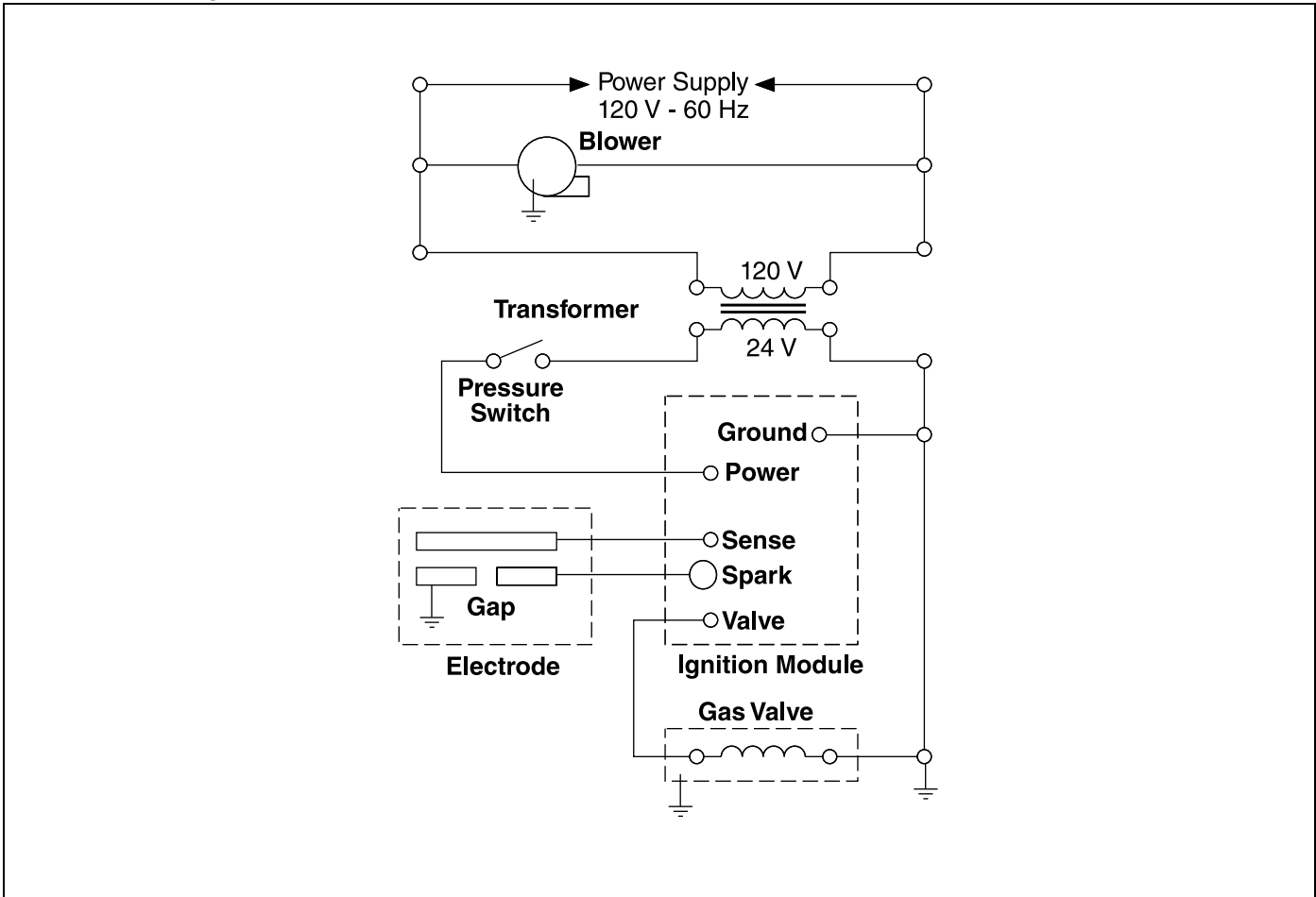
### 10.2 Low Voltage Thermostat Wiring



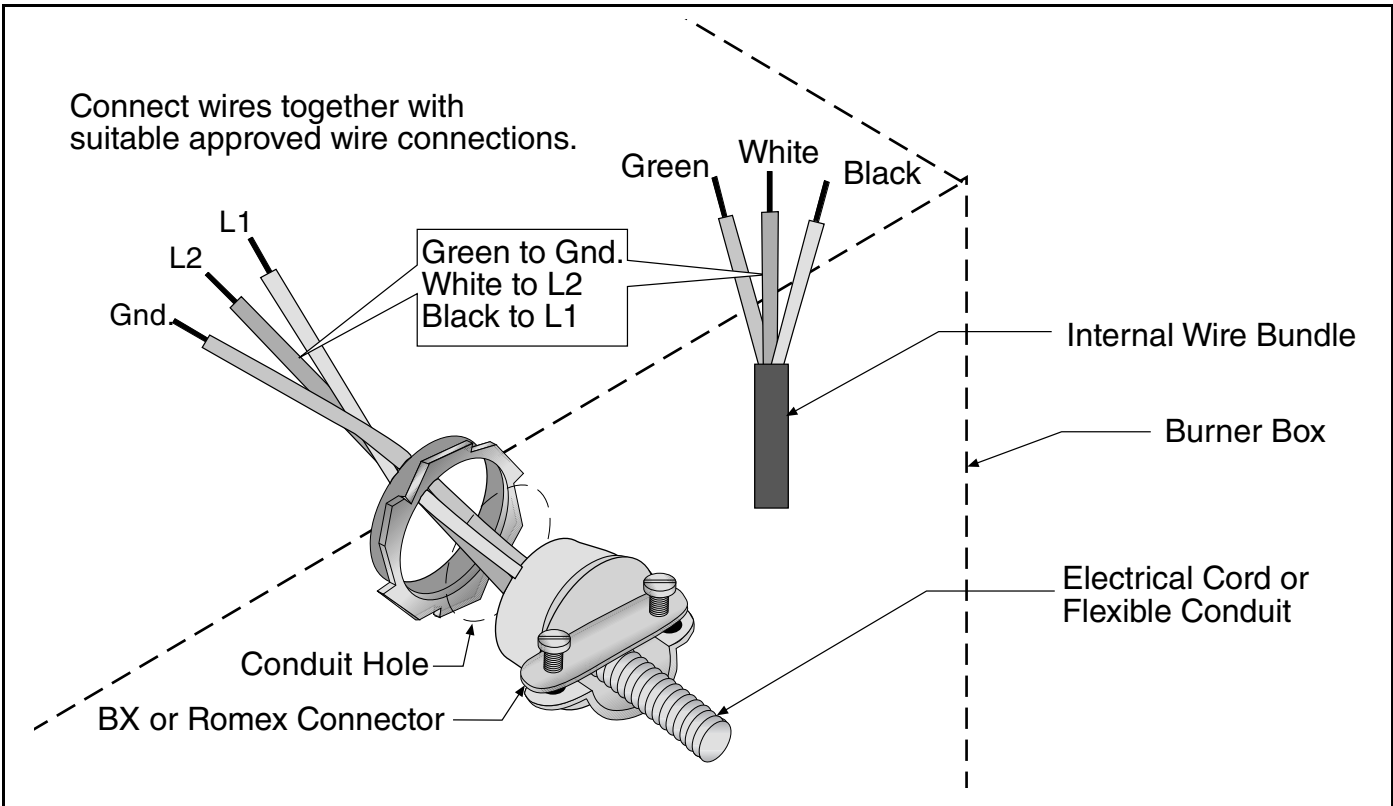
## 10.3 Internal Wiring



### 10.4 Ladder Diagram

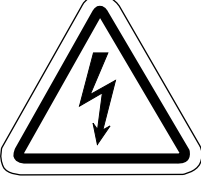





### 10.5 Electrical Connection to the Burner





## SECTION 11: OPERATION AND MAINTENANCE

<b>⚠ DANGER</b>		<b>⚠ WARNING</b>	
			
<b>Electrical Shock Hazard</b>  Disconnect electric before service.  Heater must be connected to a properly grounded electrical source.	<b>Explosion Hazard</b>  Turn off gas supply to heater before service.	<b>Burn Hazard</b>  Allow heater to cool before service.  Tubing may still be hot after operation.	<b>Cut/Pinch Hazard</b>  Wear protective gear during installation, operation and service.  Edges are sharp.
<b>Failure to follow these instructions can result in death, electric shock, injury or property damage.</b>			

This heater is equipped with a direct spark ignition system.

### 11.1 Sequence of Operation

1. Turn the thermostat up. When the thermostat calls for heat, the blower motor will energize.
2. When the motor approaches nominal running RPM, the pressure switch closes and activates the ignition module.
3. After a 45 second prepurge, the ignition module then opens the gas valve and energizes the spark igniter.
4. When the flame is established, the sparking sequence ceases.
5. If the flame is not established during the ignition sequence, the ignition module closes the gas valve and purge begins. Module will try 2 additional times for ignition (with purges in between trials). If ignition is not established, the module will lockout.
6. If the flame extinguishes during operation, the ignition module will attempt the multiple trial sequence described in step 5. If ignition is not re-established, the module will lockout for one hour or until reset.
7. After lockout, the control can be reset by turning down thermostat for five seconds, and then raising it again to desired temperature, or by disconnecting power and then reconnecting.

8. When thermostat is satisfied, all power to the unit is shut off.

### 11.2 To Shut Off Heater

Set thermostat to lowest setting.  
Turn OFF electric power to heater.  
Turn OFF manual gas valve in the heater supply line.

### 11.3 To Start Heater

Turn gas valve and electric power OFF and wait five minutes for unburned gases to vent from heater.  
Turn ON main gas valve.  
Turn ON electric power.  
Set thermostat to desired temperature.  
Burner should light automatically.

### 11.4 Pre-Season Maintenance and Annual Inspection

To ensure your safety and years of trouble-free operation of the heating system, service and annual inspections must be done by a contractor qualified in the installation and service of gas-fired heating equipment.  
Turn off gas and electric supplies before performing service or maintenance. Allow heater to cool before servicing.  
Before every heating season, a contractor qualified in the installation and service of gas-fired heating equipment must perform a thorough safety inspection of the heater.  
For best performance, the gas, electrical, thermostat connections, tubing, venting, suspensions and

overall heater condition should be thoroughly inspected thoroughly.

**NOTE:** Gas flow and burner ignition are among the first things that should be inspected.

Please see *Page 48, Section 11.5* for suggested items to inspect.

### 11.5 Maintenance Checklist

#### Installation Code and Annual Inspections:

All installation and service of ROBERTS GORDON® equipment must be performed by a contractor qualified in the installation and service of equipment sold and supplied by Roberts-Gordon LLC and conform to all requirements set forth in the

ROBERTS GORDON® manuals and all applicable governmental authorities pertaining to the installation, service, operation and labeling of the equipment.

To help facilitate optimum performance and safety, Roberts-Gordon LLC recommends that a qualified contractor conduct, at a minimum, annual inspections of your ROBERTS GORDON® equipment and perform service where necessary, using only replacement parts sold and supplied by Roberts-Gordon LLC.





<b>The Vicinity of the Heater</b>	<p>Do not store or use flammable objects, liquids or vapors near the heater. Immediately remove these items if they are present.</p> <p><i>See Page 5, Section 3.</i></p>
<b>Vehicles and Other Objects</b>	<p>Maintain the clearances to combustibles.</p> <p>Do not hang anything from, or place anything on, the heater.</p> <p>Make sure nothing is lodged underneath the reflector, in between the tubes or in the decorative or protective grilles (included with select models).</p> <p>Immediately remove objects in violation of the clearances to combustibles.</p> <p><i>See Page 5, Section 3.</i></p>
<b>Reflector</b>	<p>Support reflector with reflector hanger and support strap.</p> <p>Reflector must not touch tube.</p> <p>Make sure there is no dirt, sagging, cracking or distortion.</p> <p>Do not operate if there is sagging, cracking or distortion.</p> <p>Make sure reflectors are correctly overlapped. <i>See Page 23, Section 6.5.1.</i></p> <p>Clean outside surface with a damp cloth.</p>
<b>Vent Pipe</b>	<p>Venting must be intact. Using a flashlight, look for obstructions, cracks on the pipe, gaps in the sealed areas or corrosion.</p> <p>The area must be free of dirt and dust.</p> <p>Remove any carbon deposits or scale using a wire brush.</p> <p><i>See Page 35, Section 8.</i></p>
<b>Outside Air Inlet</b>	<p>Inlet must be intact. Look for obstructions, cracks on the pipe, gaps in the sealed areas or corrosion.</p> <p>The area must be free of dirt and dust. Clean and reinstall as required.</p>
<b>Tubes</b>	<p>Make sure there are no cracks.</p> <p>Make sure tubes are connected and suspended securely.</p> <p><i>See Page 14, Section 6.</i></p> <p>Make sure there is no sagging, bending or distortion.</p> <p>Clean or replace as required.</p>
<b>Gas Line</b>	<p>Check for gas leaks. <i>See Page 41, Section 9.</i></p>
<b>Burner Observation Window</b>	<p>Make sure it is clean and free of cracks or holes.</p> <p>Clean and replace as required.</p>

<b>Blower Scroll, Wheel and Motor</b>	Compressed air or a vacuum cleaner may be used to clean dust and dirt.
<b>Burner Cup and Orifice</b>	Clear of obstructions (even spider webs will cause problems). Carefully remove any dust and debris from the burner.
<b>Electrode</b>	Replace if there are cracked ceramics, excessive carbon residue, or erosion of the electrode.  The electrode gap should be 1/8" (3.2 mm).
<b>Thermostat</b>	There should be no exposed wire or damage to the thermostat.  <i>See Page 43, Section 10.</i>
<b>Suspension Points</b>	Make sure the heater is hanging securely. Look for signs of wear on the chain or ceiling.  <i>See Page 15, Figure 14.</i>
<b>Decorative and Protective Grille (optional)</b>	The grille must be securely attached.  Check that the side reflector extensions are installed correctly and secured in place if necessary. (Decorative grille only.)  <i>See Page 32, Section 7.5 and Page 34, Section 7.6</i>  Make sure shield is installed correctly and secured in place if necessary. (Decorative grille only.) <i>See Page 33, Section 7.5.2.</i>
<b>Lower Clearance Shield (optional)</b>	The lower shield must be securely attached. Inspect shield support straps and lower clearance shield anchor points.  <i>See Page 32, Section 7.4.</i>  Make sure shield is installed correctly and secured in place if necessary.  <i>See Page 32, Section 7.4.</i>
<b>Wall Tag</b>	If wall tag is present, make sure it is legible and accurate. Please contact Roberts-Gordon LLC or your ROBERTS GORDON® independent distributor, if you need a wall tag. <i>See Page 4, Section 2.1</i>
<b>Safety Labels</b>	Product safety signs or labels should be replaced by the product user when they are no longer legible. Please contact Roberts-Gordon LLC or your ROBERTS GORDON® independent distributor to obtain replacement signs or labels. <i>See Page 2, Figure 1 through Page 3, Figure 2.</i>

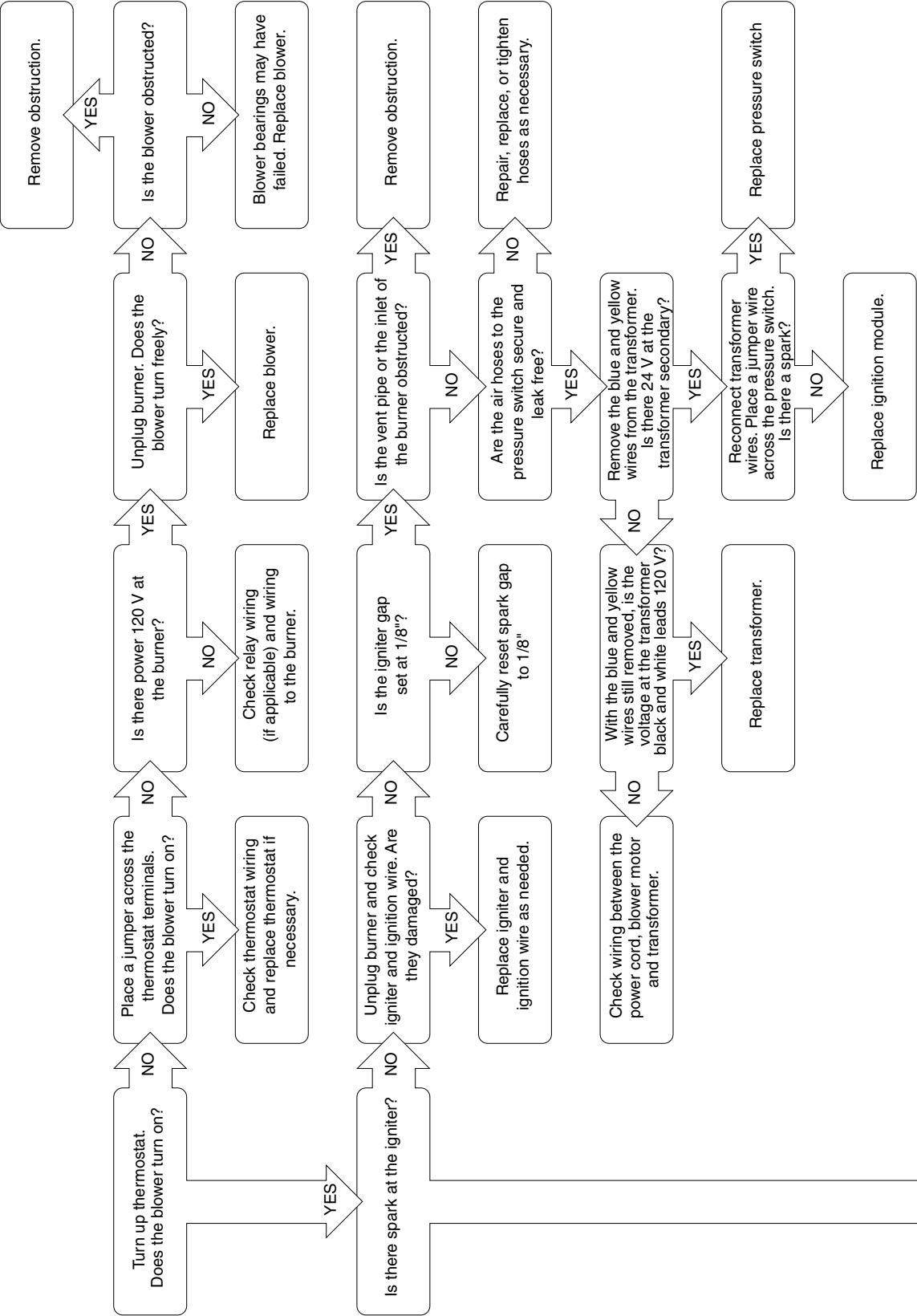
**SECTION 12: TROUBLESHOOTING**

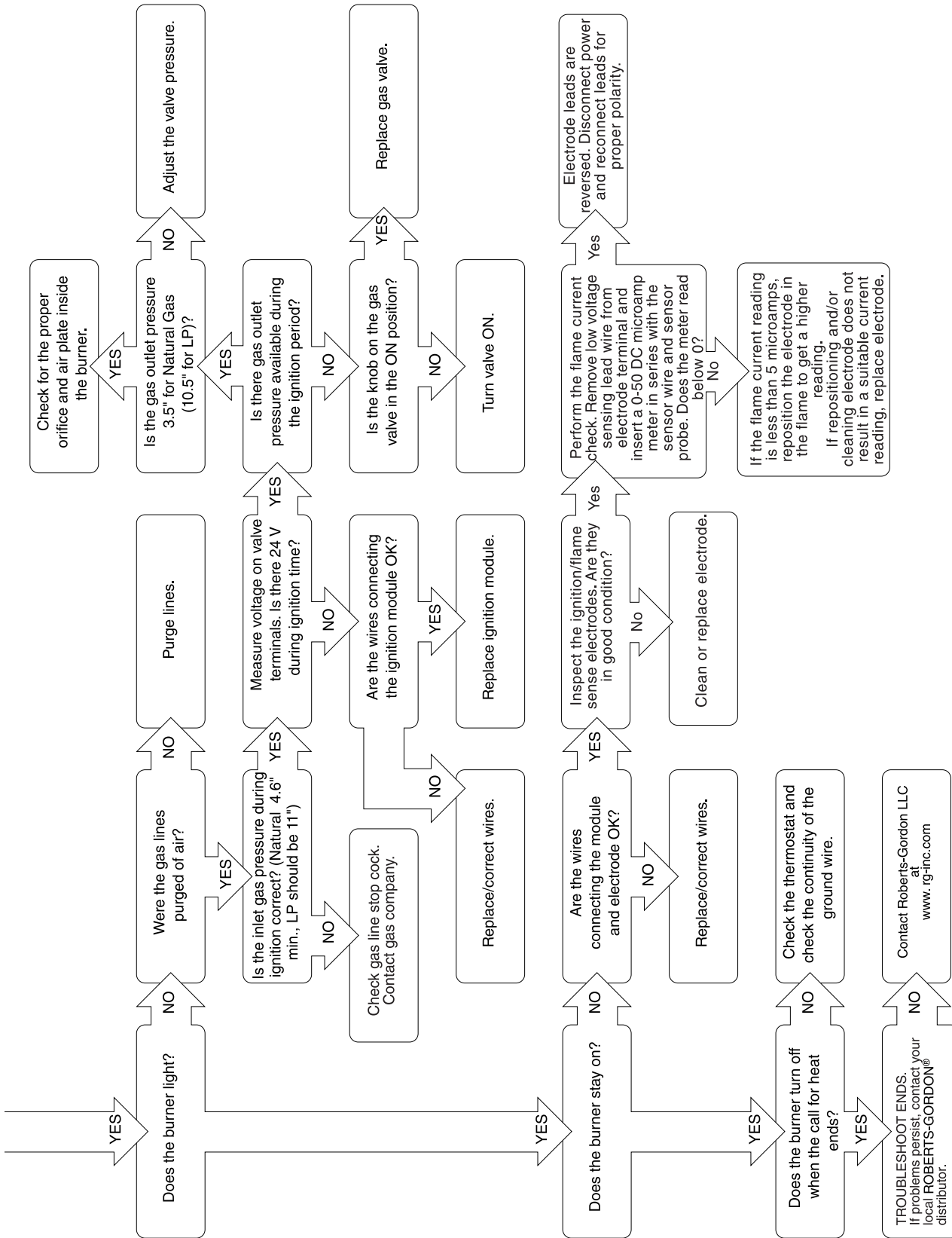
<b>⚠ DANGER</b>

<b>Electrical Shock Hazard</b>
<p>Disconnect electric before service.</p> <p>Heater must be properly grounded.</p> <p>Failure to follow these instructions can result in death or electrical shock.</p>

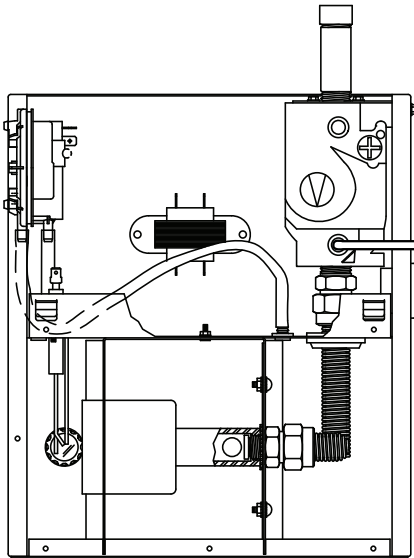
<b>⚠ WARNING</b>			
			
<b>Fire Hazard</b>	<b>Explosion Hazard</b>	<b>Burn Hazard</b>	<b>Cut/Pinch Hazard</b>
<p>Keep all flammable objects, liquids and vapors the minimum required clearances to combustibles away from heater.</p> <p>Some objects will catch fire or explode when placed close to heater.</p>	<p>Turn off gas supply to heater before service.</p>	<p>Allow heater to cool before service.</p> <p>Tubing may still be hot after operation.</p>	<p>Wear protective gear during installation, operation and service.</p> <p>Edges are sharp.</p>
<b>Failure to follow these instructions can result in death, injury or property damage.</b>			

# 12.1 Troubleshooting Flow Chart



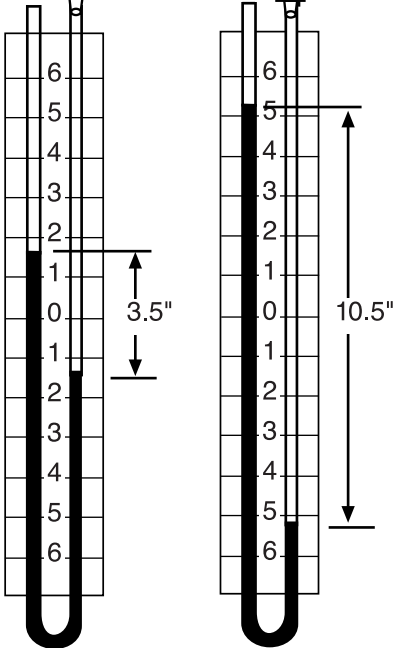


12.2 Manifold Gas Pressure Setting



Top View of Heater

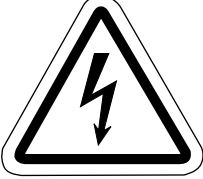



Manometer



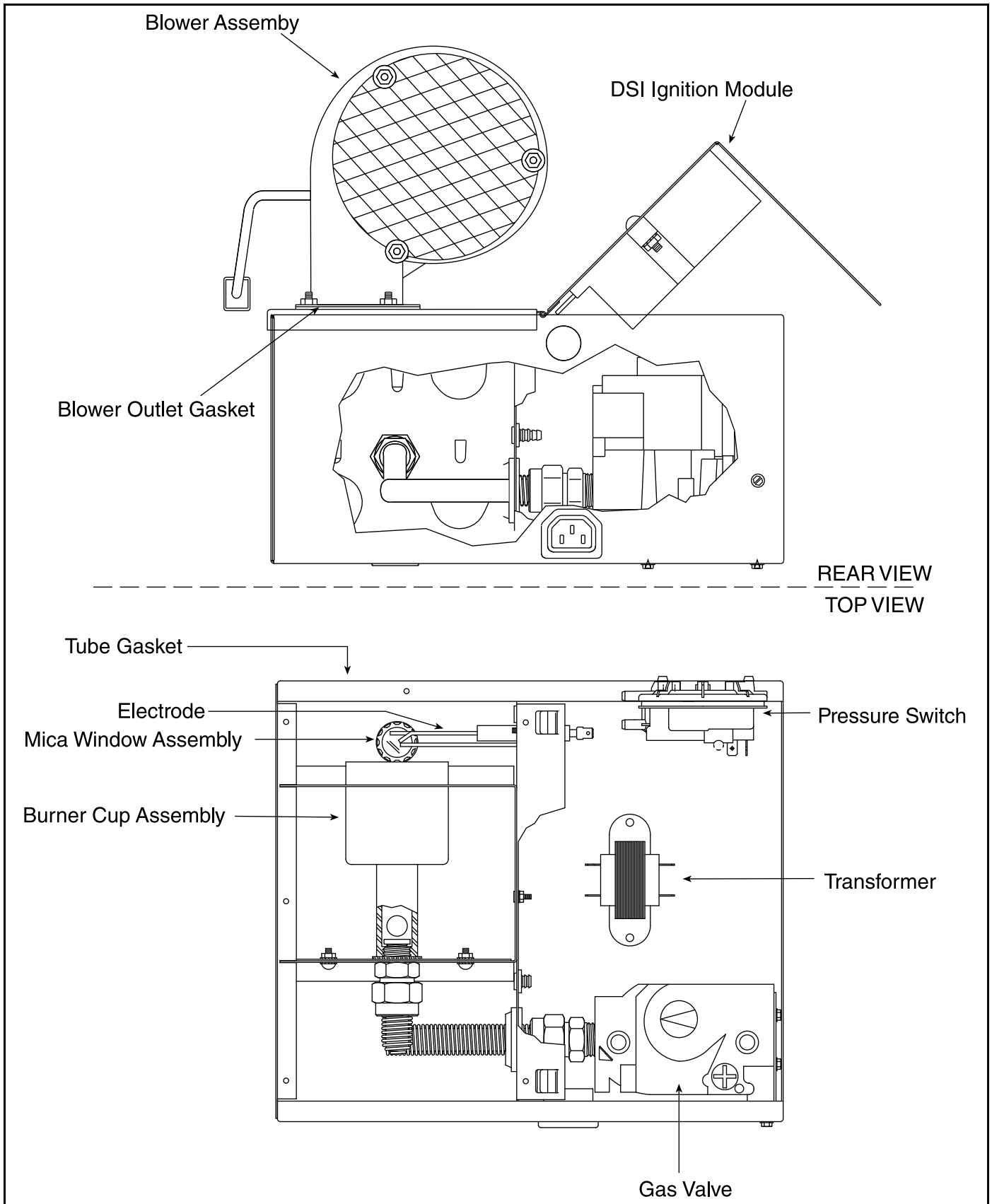
Natural

Propane

**SECTION 13: REPLACEMENT PARTS**

<b>⚠ DANGER</b>	<b>⚠ WARNING</b>		
			
<b>Electrical Shock Hazard</b>	<b>Explosion Hazard</b>	<b>Fire Hazard</b>	<b>Carbon Monoxide Hazard</b>
<b>Use only genuine ROBERTS GORDON® replacement parts per this installation, operation and service manual.</b>			
<b>Failure to follow these instructions can result in death, electric shock, injury or property damage.</b>			





<b>Description</b>	<b>Part Number</b>
Mica Window Assembly	02553203
Electrode Gasket	02558501
Tube Gasket	02568200
Burner Cup Assembly	03020100
Gas Valve (Natural)	90032500
Gas Valve (LP)	90032502
Electrode	90427400
DSI Ignition Module	90439500K
Transformer	90436900K
Pressure Switch	
(200)	90439801K
(115, 140, 175)	90439802K
(150)	90439803K
(60, 80, 100, 125)	90439805K
(40)	90439808K
Motor/Blower Assembly	90709700-P
Blower Outlet Gasket	90709801

**SECTION 14: GENERAL SPECIFICATIONS****14.1 Material Specifications****14.1.1 Reflectors**

.024 Aluminum  
(Optional .024 Stainless Steel Type 304)

**14.2 Heater Specifications****14.2.1 Ignition**

Fully automatic, three-try, direct spark, electronic ignition control, 100% safety shut-off.

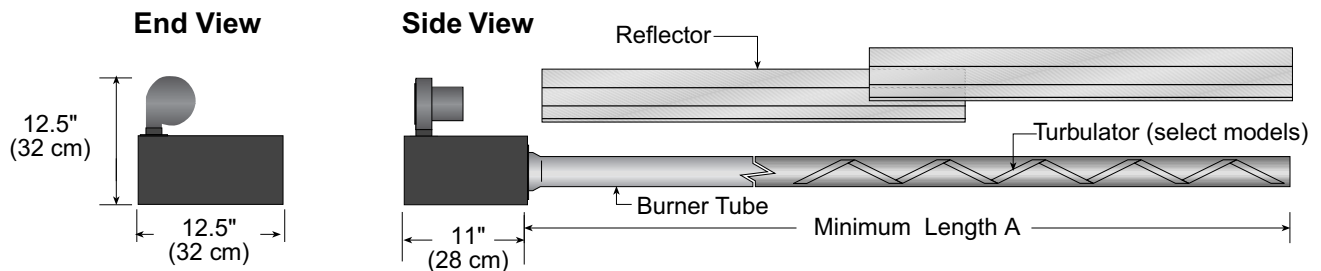
General Specifications for BH-Series heaters are as follows:

**14.3 Suspension Specifications**

Hang heater with materials with a minimum working load of 75 lbs (33 kg). See Page 15, Figure 14.

**14.4 Controls Specifications**

Time switches, thermostats, etc. can be wired into the electrical supply. External controls supplied as an optional extra.



Model	Heat Input Rate (Btu/h) x (1000)	Length "A" Minimum	Recommended Minimum Mounting Height*	
			Space	Spot
BH-40	40	10' (3 m)	8-10' (2.4 - 3 m)	8' (2.4 m)
BH-60	60	20' (6 m)	10-12' (3 - 3.6 m)	9' (2.7 m)
BH-80	80	20' (6 m)	12-15' (3.6 - 4.5 m)	11' (3.3 m)
BH-100	100	30' (9 m)	12-15' (3.6 - 4.5 m)	12' (3.7 m)
BH-115	115	30' (9 m)	15-20' (4.5 - 6 m)	15' (4.6 m)
BH-125	125	40' (12 m)	15-20' (4.5 - 6 m)	15' (4.6 m)
BH-140	140	40' (12 m)	20-25' (6 - 7.6 m)	20' (6.1 m)
BH-150	150	50' (15 m)	20-25' (6 - 7.6 m)	20' (6.1 m)
BH-175	175	50' (15 m)	25' (7.6 m)	23' (7 m)
BH-200	200	60' (18 m)	25' (7.6 m)	25' (7.6 m)

\*See Page 5, Section 3 for clearances to combustibles.

**GAS PRESSURE AT MANIFOLD:**

Natural Gas: 3.5" wc

LP Gas: 10.5" wc

**PIPE CONNECTION:**

1/2" NPT (for BH-40, 60, 80, 100, 115 & 125)

3/4" NPT (for BH- 140, 150, 175 & 200)

**DIMENSIONS:**

Vent Connection Size: 4" (10 cm)

Outside Air Connection Size: 4" (10 cm)

Refer to figure above for dimensional information.

**GAS INLET PRESSURE:****Natural Gas:**

for BH-40, 60, 80, 100,

115, 125, 140, 150

for BH-175, 200

4.6" wc Minimum

5.0" wc Minimum

14.0" wc Maximum

**LP Gas:**

11.0" wc Minimum

14.0" wc Maximum

**ELECTRICAL RATING (ALL MODELS):**

120 V - 60 Hz, 1 A



## SECTION 15: THE ROBERTS GORDON® BLACKHEAT™ BH WARRANTY

### ROBERTS-GORDON LLC WILL PAY FOR:

Within 36 months from date of purchase by buyer or 42 months from date of shipment by Roberts-Gordon LLC (whichever occurs first), replacement parts will be provided free of charge for any part of the product which fails due to a manufacturing or material defect.

Roberts-Gordon LLC will require the part in question to be returned to the factory. Roberts-Gordon LLC will, at its sole discretion, repair or replace after determining the nature of the defect and disposition of part in question.

ROBERTS GORDON® Replacement Parts are warranted for a period of 12 months from date of shipment from Roberts-Gordon LLC or the remaining ROBERTS GORDON® BLACKHEAT™ BH warranty.

### ROBERTS-GORDON LLC WILL NOT PAY FOR:

Service trips, service calls and labor charges.

Shipment of replacement parts.

Claims where the total price of the goods have not been paid.

Damage due to:

- Improper installation, operation or maintenance.
- Misuse, abuse, neglect, or modification of the ROBERTS GORDON® BLACKHEAT™ BH in any way.
- Use of the ROBERTS GORDON® BLACKHEAT™ BH for other than its intended purpose.
- Incorrect gas or electrical supply, accident, fire, floods, acts of God, war, terrorism, or other casualty.
- Improper service, use of replacement parts or accessories not specified by Roberts-Gordon.
- Failure to install or maintain the ROBERTS GORDON® BLACKHEAT™ BH as directed in the Installation, Operation and Service Manual.
- Relocation of the ROBERTS GORDON® BLACKHEAT™ BH after initial installation
- Use of the ROBERTS GORDON® BLACKHEAT™ BH in a corrosive atmosphere containing contaminants.
- Use of the ROBERTS GORDON® BLACKHEAT™ BH in the vicinity of a combustible or explosive material.
- Any defect in the ROBERTS GORDON® BLACKHEAT™ BH arising from a drawing, design, or specification supplied by or on behalf of the consumer.
- Damage incurred during shipment. Claim must be filed with carrier.

### WARRANTY IS VOID IF:

The ROBERTS GORDON® BLACKHEAT™ BH is not installed by an contractor qualified in the installation and service of gas fired heating equipment.

You cannot prove original purchase date and required annual maintenance history.

The data plate and/or serial number are removed, defaced, modified or altered in any way.

The ownership of the ROBERTS GORDON® BLACKHEAT™ BH is moved or transferred. This warranty is non-transferable.

Roberts-Gordon LLC is not permitted to inspect the damaged equipment and/or component parts.

### READ YOUR INSTALLATION, OPERATION AND SERVICE MANUAL.

If you have questions about your equipment, contact your installing professional. Should you need Replacement Parts or have additional questions, call or write:

#### Roberts-Gordon LLC

1250 William Street

P.O. Box 44

Buffalo, New York 14240-0044

Telephone: +1.716.852.4400

Fax: +1.716.852.0854

Toll Free: 800.828.7450

[www.rg-inc.com](http://www.rg-inc.com)

[www.radiantheaters.com](http://www.radiantheaters.com)

**Roberts-Gordon LLC's liability, and your exclusive remedy, under this warranty or any implied warranty (including the implied warranties of merchantability and fitness for a particular purpose) is limited to providing replacement parts during the term of this warranty.** Some jurisdictions do not allow limitations on how long an implied warranty lasts, so this limitation may not apply to you. There are no rights, warranties or conditions, expressed or implied, statutory or otherwise, other than those contained in this warranty.

**Roberts-Gordon LLC shall in no event be responsible for incidental or consequential damages or incur liability for damages in excess of the amount paid by you for the ROBERTS GORDON® BLACKHEAT™ BH.**

Some jurisdictions do not allow the exclusion or limitation of incidental or consequential damages, so this limitation or exclusion may not apply to you. This warranty gives you specific legal rights, and you may also have other rights which vary from jurisdiction to jurisdiction.

Roberts-Gordon LLC shall not be responsible for failure to perform under the terms of this warranty if caused by circumstances out of its control, including but not limited to war, fire, flood, strike, government or court orders, acts of God, terrorism, unavailability of supplies, parts or power. No person is authorized to assume for Roberts-Gordon LLC any other warranty, obligation or liability.

### LIMITATIONS ON AUTHORITY OF REPRESENTATIVES:

No representative of Roberts-Gordon LLC, other than an Executive Officer, has authority to change or extend these provisions. Changes or extensions shall be binding only if confirmed in writing by Roberts-Gordon LLC's duly authorized Executive Officer.





# OWNER WARRANTY REGISTRATION CARD

### Mail or Fax to:

Roberts Gordon LLC • 1250 William Street, P.O. Box 44 • Buffalo, NY 14240-0044 • Phone: 716-852-4400 • Fax: 716-852-0854  
Toll Free: 800-828-7450 • www.rg-inc.com

#### About the Owner:

Name: \_\_\_\_\_  
Address: \_\_\_\_\_ City: \_\_\_\_\_ State: \_\_\_\_\_ Zip Code: \_\_\_\_\_  
Phone: \_\_\_\_\_ Fax: \_\_\_\_\_ E-mail: \_\_\_\_\_

#### About the Installer:

Name: \_\_\_\_\_  
Address: \_\_\_\_\_ City: \_\_\_\_\_ State: \_\_\_\_\_ Zip Code: \_\_\_\_\_  
Phone: \_\_\_\_\_ Fax: \_\_\_\_\_ E-mail: \_\_\_\_\_

#### Purchased From (if different than installer):

Name: \_\_\_\_\_  
Address: \_\_\_\_\_ City: \_\_\_\_\_ State: \_\_\_\_\_ Zip Code: \_\_\_\_\_  
Phone: \_\_\_\_\_ Fax: \_\_\_\_\_ E-mail: \_\_\_\_\_

#### About your Heater:

Model#: \_\_\_\_\_ Serial #: \_\_\_\_\_ Fuel: \_\_\_\_\_ Installation Date: \_\_\_\_\_

#### Type of Installation (check one):

- Automotive       Manufacturing       Warehouse       Recreational       Aircraft
- Public Building       Office       Retail       Agricultural       Other \_\_\_\_\_

**Installation Code and Annual Inspections:** All installation and service of ROBERTS GORDON® equipment must be performed by a contractor qualified in the installation and service of equipment sold and supplied by Roberts-Gordon LLC and conform to all requirements set forth in the ROBERTS GORDON® manuals and all applicable governmental authorities pertaining to the installation, service, operation and labeling of the equipment.

To help facilitate optimum performance and safety, Roberts-Gordon LLC recommends that a qualified contractor conduct, at a minimum, annual inspections of your ROBERTS GORDON® equipment and perform service where necessary, using only replacement parts sold and supplied by Roberts-Gordon LLC.

**These products are not for residential use.**

**This product is intended to assist licensed professionals in the exercise of their professional judgment.**

© 2012 Roberts-Gordon LLC - All rights reserved. No part of this work covered by the copyrights herein may be reproduced or copied in any form or by any means – graphic, electronic, or mechanical, including photocopying, recording, taping, or information storage and retrieval systems – without written permission of Roberts Gordon LLC. Printed in the U.S.A.







Attach this information to a wall near the ROBERTS GORDON® heater.



Read the Installation, Operation, and Service Manual thoroughly before installation, operation, or service.

Know your model number and installed configuration.

Model number and installed configuration are found on the burner and in the Installation, Operation and Service Manual.

Write the largest clearance dimensions with permanent ink according to your model number and configuration in the open spaces below.

#### OPERATING INSTRUCTIONS

1. STOP! Read all safety instructions on this information sheet.
2. Open the manual gas valve in the heater supply line.
3. Turn on electric power to the heater.
4. Set the thermostat to desired setting.

#### TO TURN OFF THE HEATER

1. Set the thermostat to off or the lowest setting.

#### IF THE HEATER WILL NOT OPERATE, TO ENSURE YOUR SAFETY, FOLLOW THESE INSTRUCTIONS TO SHUT DOWN YOUR HEATER

1. Set the thermostat to off or the lowest setting.
2. Turn off electric power to the heater.
3. Turn off the manual gas valve in the heater supply line.
4. Call your registered installer/contractor qualified in the installation and service of gas-fired heating equipment.

#### ⚠ WARNING



#### Fire Hazard

Keep all flammable objects, liquids and vapors the minimum required clearances to combustibles away from heater.

Some objects will catch fire or explode when placed close to heater.

Failure to follow these instructions can result in death, injury or property damage.

**Maintain \_\_\_\_\_ clearance  
to the side and  
\_\_\_\_\_ clearance below  
the heater from vehicles  
and combustible materials.**

**Roberts-Gordon LLC**  
1250 William Street  
P.O. Box 44  
Buffalo, NY 14240-0044 USA  
Telephone: +1.716.852.4400  
Fax: +1.716.852.0854  
Toll Free: 800.828.7450

**Roberts-Gordon Europe Limited**  
Unit A, Kings Hill Business Park  
Darlaston Road, Wednesbury  
West Midlands WS10 7SH UK  
Telephone: +44 (0)121 506 7700  
Fax: +44 (0)121 506 7701

Service Telephone: +44 (0)121 506 7709  
Service Fax: +44 (0)121 506 7702  
E-mail: uksales@rg-inc.com  
E-mail: export@rg-inc.com

#### Installation Code and Annual Inspections:

All installation and service of ROBERTS GORDON® equipment must be performed by a contractor qualified in the installation and service of equipment sold and supplied by Roberts-Gordon and conform to all requirements set forth in the ROBERTS GORDON® manuals and all applicable governmental authorities pertaining to the installation, service, operation and labeling of the equipment. To help facilitate optimum performance and safety, Roberts-Gordon recommends that a qualified contractor conduct, at a minimum, annual inspections of your ROBERTS GORDON® equipment and perform service where necessary, using only replacement parts sold and supplied by Roberts-Gordon.

**Further Information:** Applications, engineering and detailed guidance on systems design, installation and equipment performance is available through ROBERTS GORDON® representatives. Please contact us for any further information you may require, including the Installation, Operation and Service Manual.

**This product is not for residential use.**

© 2012 Roberts-Gordon LLC All rights reserved. No part of this work covered by the copyrights herein may be reproduced or copied in any form or by any means – graphic, electronic, or mechanical, including photocopying, recording, taping, or information storage and retrieval systems – without written permission of Roberts-Gordon LLC.

www.rg-inc.com

Printed in U.S.A.

P/N 91037912 Rev. J