

ROBERTS GORDON® BLACKHEAT™

Small Space Unitary Heater



MODEL GH

Rated for Residential and Light Commercial Environments

- Approved for residential and commercial applications
- Factory-assembled for easy installation
- Longer life provided by durable components
- Compact U-tube design provides maximum inputs at minimum lengths
- One building penetration- balanced flue for both exhaust and combustion air
- Ceiling-mounted to free valuable work space below

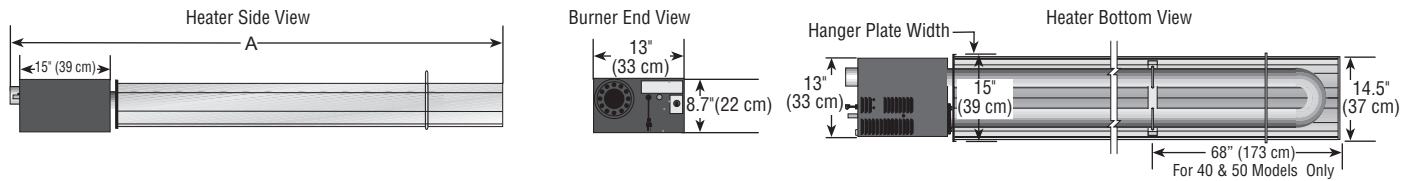


800.828.7450

www.robertsgordon.com

THE INDUSTRY LEADER
RADIANT
EFFICIENCY™

ROBERTS GORDON® INFRARED HEATING



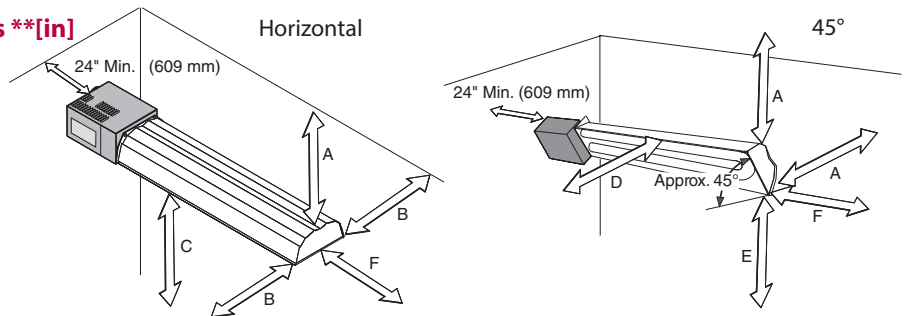
BLACKHEAT™ GH

Model		CGTH-30	CGTH-40	CGTH-50
Overall Length	[ft, in] A	8', 0"	11', 6"	11', 6"
Weights	[lb]	85	96	96
Input (Btu/h) x (1000)		30	40	50
Fuel		Natural Gas (NG) or Propane Gas (LP)		
Inlet Pressure	[in wc] NG min. LPG Propane min. NG & LPG Propane max.	5 11 14		
Gas Connection	NPT	3/8" (3/8" Manual Shut-off Valve Included with Heater)		
Minimum Mounting Height	[ft]*	7' (Required Safe Distance from Combustibles Must be Maintained)		
Electrical Supply		120 V, 60 Hz, 1 Ø, 1 A (Connection - Cord with 3-Prong Molded Plug)		
Thermostat		Low Voltage, 24 Vac Dual Scale Included with Heater (120 Vac Optional) (Connection - Built-in Receptacle on Heater)		
Heat Exchanger Tubing		3" dia, 16 Gauge, Heat Treated ALUMI-THERM® Steel Tubing		
Exhaust Flue/Vent OD	[in]	3" dia/5" dia (Included with Heater)		
Balanced Flue		Vent Collar and Vent Termination Included with Heater		
Flue Length	[ft, in]	2', 6" Minimum; 10', 0" Maximum		
Reflector and End Caps		.024 Mill Finish Aluminum		
Ignition		Fully Automatic, Three Try, Direct Spark Electronic Ignition Control, 100% Shut-Off		
Approved As		Residential Indoor Vented Overhead Room Heater		
CSA Standards		ANSI Z21.86 / CSA 2.32		
Warranty		Three-Year Limited (Refer to Installation, Operation and Service Manual for details)		
Options		Roof Venting Kit, 90° Elbow Kit, Wall Venting Kits		

*The minimum mounting height is 10 ft (3 m) for aircraft hangars and 8 ft (2.4 m) for public garages.

Required Safe Distances from Combustibles **[in]

Model	CGTH-30	CGTH-40	CGTH-50
A	4	4	4
B	16	18	20
C	36	48	48
D	28	30	32
E	34	34	36
F	6	6	6



** For complete installation, operation and service criteria, please see the current issue of the Installation, Operation and Service Manual.

This document is intended to assist licensed professionals in the exercise of their professional judgment.

Roberts-Gordon LLC
1250 William Street
P.O. Box 44
Buffalo, NY 14240-0044 USA
Telephone: +1.716.852.4400
Fax: +1.716.852.0854
Toll Free: 800.828.7450
www.robertsgordon.com

