



# Low-Intensity Infrared Heating Systems Submittal: HEV Series



Job: \_\_\_\_\_  
 Location: \_\_\_\_\_  
 Engineer: \_\_\_\_\_  
 Gas Specs: \_\_\_\_\_  
 Date: \_\_\_\_\_

QTY.	_____	MODEL NO. HEV	_____	UNIT INPUT	_____	BTU/HR
QTY.	_____	MODEL NO. HEV	_____	UNIT INPUT	_____	BTU/HR
QTY.	_____	MODEL NO. HEV	_____	UNIT INPUT	_____	BTU/HR
QTY.	_____	MODEL NO. HEV	_____	UNIT INPUT	_____	BTU/HR
TOTAL INPUT				_____	BTU/HR	_____

**Important**

**Before installation and operation of heating equipment, read and understand the Installation, Operation and Service Manual.**

Applications, engineering and detailed guidance on systems design, installation and product performance is available upon request. ROBERTS GORDON® products are to be installed only in accordance with local laws, codes and regulations, and only by a contractor qualified in the installation and service of gas-fired heating equipment.



**Roberts-Gordon**  
 1250 William Street  
 P.O. Box 44  
 Buffalo, New York 14240-0044  
 Telephone: 716.852.4400  
 Fax: 716.852.0854  
 Toll Free: 800.828.7450

[www.robertsgordon.com](http://www.robertsgordon.com)

## FOR YOUR SAFETY

*If you smell gas:*

1. Open windows.
2. **DO NOT** try to light any appliance.
3. **DO NOT** use electrical switches.
4. **DO NOT** use any telephone in your building.
5. Extinguish any open flame.
6. Leave the building.
7. Immediately call your local gas supplier after leaving the building. Follow the gas supplier's instructions.
8. If you cannot reach your gas supplier, call the Fire Department.

## ⚠ WARNING



### Fire Hazard

Keep all flammable objects, liquids and vapors the minimum required clearances to combustibles away from heater.

Some objects will catch fire or explode when placed close to heater.

Failure to follow these instructions can result in death, injury or property damage.

# Model HEV

## Gas-Fired, Low Intensity Unitary Heater for Harsh Environments

## Installation, Operation & Service Manual

HEV-40  
HEV-60  
HEV-80  
HEV-100  
HEV-125  
HEV-150  
HEV-175

## ⚠ WARNING

Improper installation, adjustment, alteration, service or maintenance can result in death, injury or property damage. Read the Installation, Operation and Service Manual thoroughly before installing or servicing this equipment.

Installation must be done by a contractor qualified in the installation and service of gas-fired heating equipment or your gas supplier.

### Installer

Please take the time to read and understand these instructions prior to any installation. Installer must give a copy of this manual to the owner.

### Owner

Keep this manual in a safe place in order to provide your service technician with necessary information.



**Roberts-Gordon LLC**  
1250 William Street  
P.O. Box 44  
Buffalo, New York 14240-0044  
Telephone: +1.716.852.4400

[www.robertsgordon.com](http://www.robertsgordon.com)



## TABLE OF CONTENTS

<b>SECTION 1: Heater Safety</b> .....	<b>1</b>	10.3 Low Voltage Thermostat Wiring with Multiple Burners .....	49
1.1 Manpower Requirements .....	1	10.4 Internal Wiring.....	49
1.2 Safety Labels and Their Placement.....	1	10.5 Ladder Diagram .....	50
1.3 California Proposition 65 .....	1	10.6 Electrical Connection to the Burner Box using Line Voltage Thermostat on Control .....	50
<b>SECTION 2: Installer Responsibility</b> .....	<b>4</b>	10.7 Electrical Connection to Burner Box using Low Voltage Thermostat on Control.....	51
2.1 Wall Tag .....	4	<b>SECTION 11: Operation and Maintenance</b> .....	<b>52</b>
2.2 Corrosive Chemicals.....	4	11.1 Sequence of Operation .....	52
2.3 National Standards and Applicable Codes.....	4	11.2 To Shut Off Heater .....	52
<b>SECTION 3: Clearances to Combustibles</b> .....	<b>5</b>	11.3 To Start Heater .....	52
3.1 Required Clearances to Combustibles.....	5	11.4 Pre-Season Maintenance and Annual Inspection.....	52
<b>SECTION 4: National Standards and Applicable Codes</b> .....	<b>9</b>	11.5 Maintenance Checklist .....	53
4.1 Gas Codes.....	9	<b>SECTION 12: Troubleshooting</b> .....	<b>55</b>
4.2 Aircraft Hangars .....	9	12.1 Troubleshooting Flow Chart .....	56
4.3 Public Garages .....	9	12.2 Manifold Gas Pressure Setting .....	58
4.4 Electrical .....	9	<b>SECTION 13: Replacement Parts</b> .....	<b>59</b>
4.5 Venting.....	9	<b>SECTION 14: General Specifications</b> .....	<b>61</b>
4.6 High Altitude .....	9	14.1 Material Specifications.....	61
<b>SECTION 5: Major Components</b> .....	<b>10</b>	14.2 Heater Specifications.....	61
5.1 Standard Parts List .....	12	14.3 Suspension Specifications.....	61
<b>SECTION 6: Heater Installation</b> .....	<b>15</b>	14.4 Controls Specifications .....	61
6.1 Outdoor Mounting.....	17	<b>SECTION 15: The ROBERTS GORDON® VANTAGE® HEV Warranty</b> .....	<b>62</b>
<b>SECTION 7: Optional Heater Accessories</b> .....	<b>27</b>		
7.1 U-Tube Configuration.....	27		
7.2 Elbow Package Configuration.....	31		
7.3 Reflector Side Extension (Not for outdoor use or areas exposed to wind).....	33		
7.4 Lower Clearance Shield Installation .....	34		
7.5 Two-Foot Decorative Grille Installation .....	34		
7.6 Protective Grille Installation .....	36		
<b>SECTION 8: Venting</b> .....	<b>38</b>		
8.1 General Venting Requirements .....	38		
8.2 Unvented Operation.....	38		
8.3 Horizontal Venting.....	39		
8.4 Vertical Venting .....	39		
8.5 Unvented Operation Tube Termination.....	39		
8.6 Length Requirements .....	39		
8.7 Venting Options.....	41		
8.8 Horizontal Ventilation 4" (10 cm) Pipe.....	41		
8.9 Vertical Ventilation 4" (10 cm) Pipe .....	42		
8.11 Common Vertical Venting .....	43		
8.12 Outside Combustion Air Supply .....	44		
<b>SECTION 9: Gas Piping</b> .....	<b>46</b>		
<b>SECTION 10: Wiring</b> .....	<b>48</b>		
10.1 Line Voltage Thermostat Wiring .....	48		
10.2 Low Voltage Thermostat with One Burner .....	48		

© 2021 Roberts-Gordon LLC

All rights reserved. No part of this work covered by the copyrights herein may be reproduced or copied in any form or by any means - graphic, electronic, or mechanical, including photocopying, recording, taping or information storage and retrieval systems - without the written permission of Roberts-Gordon LLC.





## SECTION 1: HEATER SAFETY



Your Safety is Important to Us!  
This symbol is used throughout the manual to notify you of possible fire, electrical or burn hazards. Please pay special attention when reading and following the warnings in these sections.

Installation, service and annual inspection of heater must be done by a contractor qualified in the installation and service of gas-fired heating equipment.

Read this manual carefully before installation, operation or service of this equipment.

This heater is designed for heating nonresidential indoor spaces. Do not install in residential spaces. This heater is not certified to meet the requirements of NFPA30A-2012 Section 7.6.6. (maximum tube temperature of 750 °F (399 °C)). Do not install this heater in facilities where compressed natural gas (CNG) or liquid natural gas (LNG) are present. These instructions, the layout drawing, local codes and ordinances, and applicable standards that apply to gas piping, electrical wiring, venting, etc. must be thoroughly understood before proceeding with the installation.

Protective gear is to be worn during installation, operation and service in accordance to the Occupational Safety and Hazard Administration (OSHA). Gear must be in accordance to NFPA 70E, latest revision when working with electrical components. Thin sheet metal parts have sharp edges. To prevent injury, the use of work gloves is recommended. The use of gloves will also prevent the transfer of body oils from the hands to the surface of the reflector.

Before installation, check that the local distribution conditions, nature of gas and pressure, and adjustment of the appliance are compatible.

This heater must be applied and operated under the general concepts of reasonable use and installed using best building practices.

This appliance is not intended for use by persons (including children) with reduced physical, sensory or mental capabilities, or lack of experience and knowledge, unless they have been given supervision or instruction concerning use of the appliance by a person responsible for their safety. Children should be supervised to ensure that they do no play with the appliance.

For additional copies of the Installation, Operation and Service Manual, please contact Roberts-Gordon LLC.

### 1.1 Manpower Requirements

To prevent personal injury and damage to the heater, two persons will be required for installation.

### 1.2 Safety Labels and Their Placement

Product safety signs or labels should be replaced by the product user when they are no longer legible. Please contact Roberts-Gordon or your ROBERTS GORDON® independent distributor to obtain replacement signs or labels. See *Page 2, Figure 1 through Page 3, Figure 2*.

### 1.3 California Proposition 65

In accordance with California Proposition 65 requirements, a warning label must be placed in a highly visible location on the outside of the equipment (i.e., near equipment's serial plate). See label placement drawing on *Page 2, Figure 1* for label location. Avoid placing label on areas with extreme heat, cold, corrosive chemicals or other elements. To order additional labels, please contact Roberts-Gordon LLC or your ROBERTS GORDON® independent distributor.

FIGURE 1: Top and Bottom Panel Label Placement

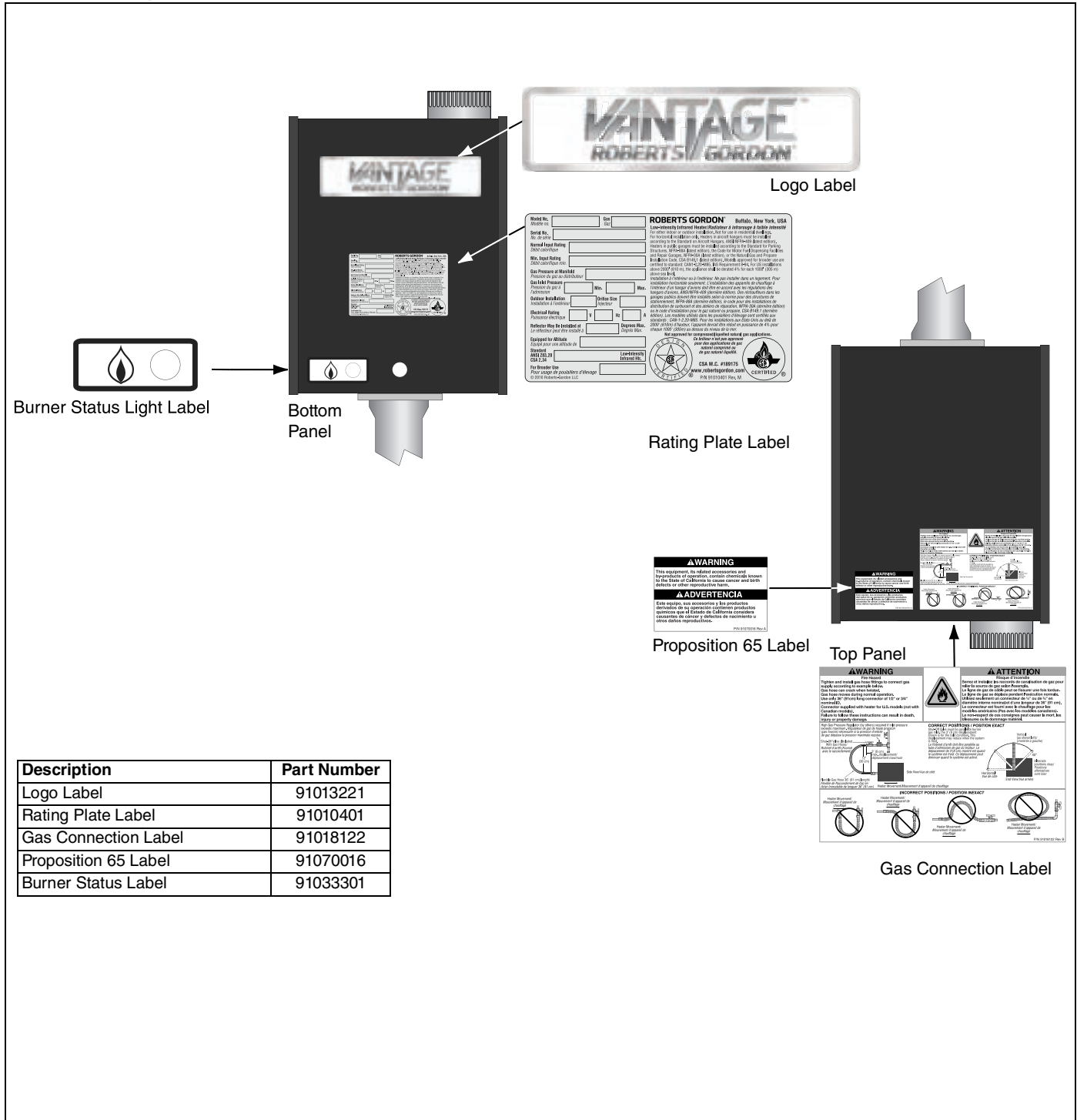


FIGURE 2: Side and Back Panel Label Placement

**Control Side Panel**

**Control Side Panel (Inside)**

**Clearances to Combustibles Label**

**Wiring Label**

Description	Part Number
Lighting Instruction Plate Label	91029602
Wiring Label	91030310
Clearances to Combustibles Label	91013436
Vent Length Label	91039500

**Back Panel**

**Vent Length Label**

**Lighting Instruction Plate Label**

FIGURE 3: Serial Number Identification Chart

Manufactured Year: 2103  
 Manufactured Month: 03  
 Numerical Model Number: 038  
 Burner Maximum Firing Rate (MBH): 150  
 Numerical sequence of units manufactured for the month of the given product: 0456

Serial numbers are located on both the burner shipping carton and the data plate. Each burner will have a unique 14-digit serial number used for identification purposes to allow the lookup of various items such as manufacture test records, replacement part identification, and manufactured date.

## SECTION 2: INSTALLER RESPONSIBILITY

The installer is responsible for the following:

- To install the heater, as well as the gas and electrical supplies, in accordance with applicable specifications and codes. Roberts-Gordon recommends the installer contact a local Building Inspector or Fire Marshal for guidance.
- To use the information given in a layout drawing and in the manual together with the cited codes and regulations to perform the installation.
- To install the heater in accordance with the clearances to combustibles.
- To furnish all needed materials not furnished as standard equipment.
- To plan location of supports.
- To provide access to burners for servicing on all sides for burner removal.
- To provide the owner with a copy of this installation, operation and service manual.
- To never use heater as support for a ladder or other access equipment and never hang or suspend anything from heater.
- To ensure there is adequate air circulation around the heater and to supply air for combustion, ventilation and distribution in accordance with local codes.
- To safely and adequately install heater using materials with a minimal working load of 75 lbs (33 kg).
- To ensure the heater is placed in a approved application.

### 2.1 Wall Tag

A laminated wall tag is available for the heater as a permanent reminder of the safety instructions and the importance of the required clearances to combustibles. Please contact Roberts-Gordon or your ROBERTS GORDON® independent distributor to obtain the wall tag. Affix the tag by peeling off the backing of the adhesive strips on the rear surface and position the tag on a wall near the heater (e.g. thermostat or ROBERTS GORDON® Controller).

A copy of the wall tag (P/N 91037912) is illustrated on the back cover. For an immediate solution, you may affix this copy on the wall near the heater.

Know your model number and installed configuration. Model number and installed configuration are found

on the burner and in the Installation, Operation and Service Manual. See Page 5, Figure 4 through Page 8, Figure 13. Write the proper clearance dimensions in permanent ink according to your model number and configuration in the open spaces on the tag.

### 2.2 Corrosive Chemicals


<p><b>Product Damage Hazard</b></p> <p><b>Do not use heater in area containing corrosive chemicals.</b></p> <p><b>Refer to appropriate Material Safety Data Sheets (MSDS).</b></p> <p><b>Failure to follow these instructions can result in product damage.</b></p>

Roberts-Gordon cannot be responsible for ensuring that all appropriate safety measures are undertaken prior to installation; this is entirely the responsibility of the installer. It is essential that the contractor, the sub-contractor, or the owner identifies the presence of combustible materials, corrosive chemicals or halogenated hydrocarbons\* anywhere in the premises.

*\* **Halogenated Hydrocarbons** are a family of chemical compounds characterized by the presence of halogen elements (fluorine, chlorine, bromine, etc.). These compounds are frequently used in refrigerants, cleaning agents, solvents, etc. If these compounds enter the air supply of the burner, the life span of the heater components will be greatly reduced. An outside air supply must be provided to the burners whenever the presence of these compounds is suspected. Warranty will be invalid if the heater is exposed to halogenated hydrocarbons.*

### 2.3 National Standards and Applicable Codes

All appliances must be installed in accordance with the latest revision of the applicable standards and national codes. This refers also to the electric, gas and venting installation. Note: Additional standards for installations in Public Garages, Aircraft Hangars, etc. may be applicable.

## SECTION 3: CLEARANCES TO COMBUSTIBLES

### 3.1 Required Clearances to Combustibles

Clearances are the required distances that combustible objects must be away from the heater to prevent serious fire hazards. Combustibles are materials that may catch on fire and include common items such as wood, paper, rubber, fabric, etc. **Maintain clearances to combustibles at all times for safety.**

Clearances for all heater models are located on the burner of the heater and *on Page 5, Figure 4 through Page 8, Figure 13* in this manual. Check the clearances on each burner for the model heater being installed to make sure the product is suitable for your application and the clearances are maintained. Read and follow the safety guidelines below:

- Keep gasoline or other combustible materials including flammable objects, liquids, dust or vapors away from this heater or any other appliance.
- The stated clearances to combustibles represents a surface temperature of 90° F (32°C) above room temperature. Building materials with a low heat tolerance (such as plastics, vinyl siding, canvas, triply, etc) may be subject to degradation at lower temperatures. It is the installer's responsibility to assure that adjacent materials are protected from degradation.
- Maintain clearances from heat sensitive equipment and workstations.
- Maintain clearances from vehicles parked below the heater.
- Maintain clearances from swinging and overhead doors, overhead cranes, vehicle lifts, partitions, storage racks, hoists, building construction, etc.

**NOTE:** 1. All dimensions are from the surfaces of all tubes, couplings and elbows.  
2. Clearances B, C and D can be reduced by 50% after 25' (7.5 m) of tubing downstream from where the burner and burner tube connect.

## ⚠ WARNING



### Fire Hazard

**Keep all flammable objects, liquids and vapors the minimum required clearances to combustibles away from heater.**

**Some objects will catch fire or explode when placed close to heater.**

**Failure to follow these instructions can result in death, injury or property damage.**

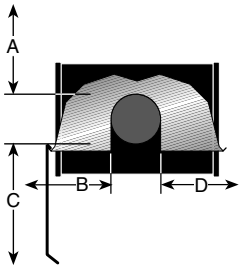
- In locations used for the storage of combustible materials, signs must be posted to specify the maximum permissible stacking height to maintain required clearances from the heater to the combustibles. Signs must be posted adjacent to the heater thermostat. In the absence of a thermostat, signs must be posted in a conspicuous location.
- Consult local Fire Marshal, Fire Insurance Carrier or other authorities for approval of proposed installation when there is a possibility of exposure to combustible airborne materials or vapors.
- Hang heater in accordance to the minimum suspension requirements *on Page 17, Figure 16*.
- If the radiant tubes must pass through the building structure, be sure that adequate sleeving and fire stop is installed to prevent scorching and/or fire hazard.

**FIGURE 4: LEVEL REFLECTOR**

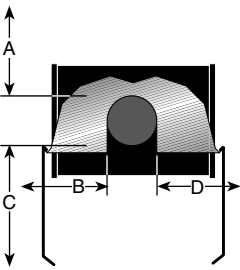
	Model	(inches)				(centimeters)			
		A	B	C	D	A	B	C	D
	HEV-40	6	27	53	27	16	69	135	69
	HEV-60	6	35	63	35	16	89	161	89
	HEV-80	6	38	66	38	16	97	168	97
	HEV-100	6	40	71	40	16	102	181	102
	HEV-125	6	46	77	46	16	117	196	117
	HEV-150	6	50	80	50	16	127	204	127
	HEV-175	8	52	82	52	21	133	209	133

**NOTE:** 1. All dimensions are from the surfaces of all tubes, couplings and elbows.  
 2. Clearances B, C and D can be reduced by 50% after 25' (7.5 m) of tubing downstream from where the burner and burner tube connect.

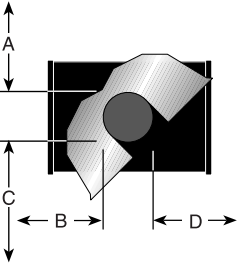
**FIGURE 5: LEVEL SIDE REFLECTOR**

	Model	(inches)				(centimeters)			
		A	B	C	D	A	B	C	D
	HEV-40	6	9	53	44	16	23	135	112
	HEV-60	6	9	63	47	16	23	161	120
	HEV-80	6	9	70	54	16	23	178	138
	HEV-100	6	9	77	59	16	23	196	150
	HEV-125	6	9	83	65	16	23	211	166
	HEV-150	6	9	86	69	16	23	219	176
	HEV-175	8	9	88	73	21	23	224	186

**FIGURE 6: TWO SIDE REFLECTORS**

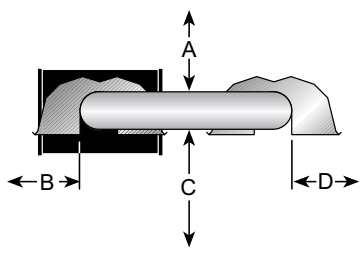
	Model	(inches)				(centimeters)			
		A	B	C	D	A	B	C	D
	HEV-40	6	15	53	15	16	39	135	39
	HEV-60	6	23	66	23	16	59	168	59
	HEV-80	6	25	72	25	16	64	183	64
	HEV-100	6	27	78	27	16	69	199	69
	HEV-125	6	32	84	32	16	82	214	82
	HEV-150	6	35	88	35	16	89	224	89
	HEV-175	8	40	91	40	21	102	232	102

**FIGURE 7: 45° TILT REFLECTOR**

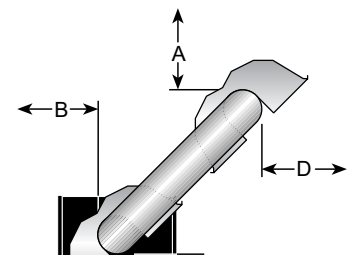
	Model	(inches)				(centimeters)			
		A	B	C	D	A	B	C	D
	HEV-40	8	8	51	46	21	21	130	117
	HEV-60	8	8	60	54	21	21	153	138
	HEV-80	8	8	66	60	21	21	168	153
	HEV-100	10	8	74	64	26	21	188	163
	HEV-125	10	8	78	69	26	21	199	176
	HEV-150	12	8	84	74	31	21	214	188
	HEV-175	12	8	85	79	31	21	216	201

- NOTE:** 1. All dimensions are from the surfaces of all tubes, couplings and elbows.  
2. Clearances B, C and D can be reduced by 50% after 25' (7.5 m) of tubing downstream from where the burner and burner tube connect.

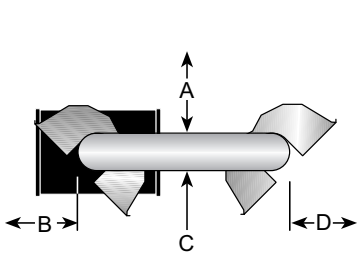
**FIGURE 8: U-TUBE, LEVEL REFLECTOR**

	Model	(inches)				(centimeters)			
		A	B	C	D	A	B	C	D
	HEV-40	- UNAPPROVED -				- UNAPPROVED -			
	HEV-60	6	35	63	30	16	89	161	77
	HEV-80	6	38	69	37	16	97	176	94
	HEV-100	6	40	76	39	16	102	194	100
	HEV-125	6	46	79	43	16	117	201	110
	HEV-150	6	50	84	47	16	127	214	120
	HEV-175	8	54	87	51	21	138	221	130

**FIGURE 9: U-TUBE, 45°**

	Model	(inches)				(centimeters)			
		A	B	C	D	A	B	C	D
	HEV-40	- UNAPPROVED -				- UNAPPROVED -			
	HEV-60	8	8	60	42	21	21	153	107
	HEV-80	8	8	66	46	21	21	168	117
	HEV-100	8	8	74	52	21	21	188	133
	HEV-125	8	8	78	61	21	21	199	155
	HEV-150	8	8	84	66	21	21	214	168
	HEV-175	8	8	85	70	21	21	216	178

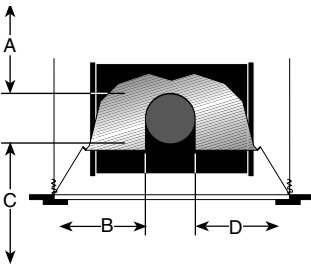
**FIGURE 10: U-TUBE, OPPOSITE 45° REFLECTOR**

	Model	(inches)				(centimeters)			
		A	B	C	D	A	B	C	D
	HEV-40	- UNAPPROVED -				- UNAPPROVED -			
	HEV-60	8	54	60	22	21	138	153	56
	HEV-80	8	60	66	22	21	153	168	56
	HEV-100	10	64	74	22	26	163	188	56
	HEV-125	10	70	78	22	26	178	199	56
	HEV-150	12	74	84	22	31	188	214	56
	HEV-175	12	76	85	22	31	194	216	56

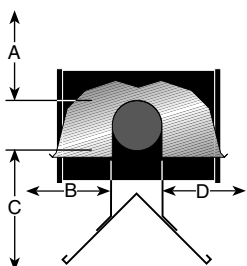


**NOTE:** 1. All dimensions are from the surfaces of all tubes, couplings and elbows.  
 2. Clearances B, C and D can be reduced by 50% after 25' (7.5 m) of tubing downstream from where the burner and burner tube connect.

**FIGURE 11: 2-FOOT DECO GRILLE AND PROTECTIVE GRILLE**

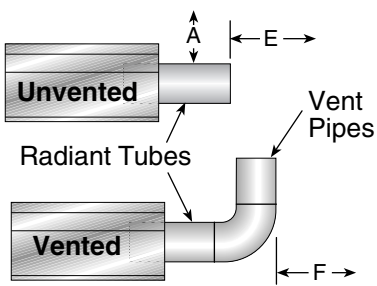
	Model	(inches)				(centimeters)			
		A	B	C	D	A	B	C	D
	HEV-40	6	27	53	27	16	69	135	69
	HEV-60	6	35	63	35	16	89	161	89
	HEV-80	6	38	66	38	16	97	168	97
	HEV-100	6	40	71	40	16	102	181	102
	HEV-125	6	46	77	46	16	117	196	117
	HEV-150	6	50	80	50	16	127	204	127
	HEV-175	8	52	82	52	21	133	209	133

**FIGURE 12: LOWER CLEARANCE SHIELD\***

	Model	(inches)				(centimeters)			
		A	B	C	D	A	B	C	D
	HEV-40	6	34	27	34	16	87	69	87
	HEV-60	6	39	33	39	16	100	84	100
	HEV-80	6	40	38	40	16	102	97	102
	HEV-100	6	50	44	50	16	127	112	127
	HEV-125	6	54	48	54	16	138	122	138
	HEV-150	6	55	50	55	16	140	127	140
	HEV-175	<b>- UNAPPROVED -</b>				<b>- UNAPPROVED -</b>			

\*When installed in the first 10' (3 m).

**FIGURE 13: VENTING**

	Model	(inches)			(centimeters)		
		A	E	F	A	E	F
	HEV-40	14	18	18	36	46	46
	HEV-60	14	18	18	36	46	46
	HEV-80	20	24	18	51	61	46
	HEV-100	20	24	18	51	61	46
	HEV-125	20	24	18	51	61	46
	HEV-150	20	30	18	51	77	46
	HEV-175	20	30	18	51	77	46

## SECTION 4: NATIONAL STANDARDS AND APPLICABLE CODES

### 4.1 Gas Codes

The type of gas appearing on the nameplate must be the type of gas used. Installation must comply with national and local codes and requirements of the local gas company.

United States: Refer to National Fuel Gas Code NFPA 54/ANSI Z223.1 - latest revision.

Canada: Refer to Natural Gas and Propane Installation Code CSA B149.1 - latest revision.

### 4.2 Aircraft Hangars

Installation in aircraft hangars must be in accordance with the following codes:

United States: Refer to Standard for Aircraft Hangars, NFPA 409 - latest revision.

Canada: Refer to Natural Gas and Propane Installation Code CSA B149.1 - latest revision.

In aircraft storage and servicing areas, heaters shall be installed at least 10' (3 m) above the upper surface of wings or of engine enclosures of the highest aircraft which may be housed in the hangar. The measurement shall be made from the wing or engine enclosure (whichever is higher from the floor) to the bottom of the heater.

- In shops, offices and other sections of aircraft hangars communicating with aircraft storage or servicing areas, heaters shall be installed not less than 8' (2.4 m) above the floor.
- Suspended or elevated heaters shall be so located in all spaces of aircraft hangars that they shall not be subject to injury by aircraft, cranes, movable scaffolding or other objects. Provisions shall be made to assure accessibility to suspended heaters for recurrent maintenance purposes.

### 4.3 Public Garages

Installation in garages must be in accordance with the following codes:

United States: Refer to Standard for Parking Structures NFPA 88A - latest revision or the Code for Motor Fuel Dispensing Facilities and Repair Garages, NFPA 30A - latest revision.  
Canada: Refer to Natural Gas and Propane Installation Code CSA B149.1 - latest revision.

- Heaters must not be installed less than 8' (2.4 m) above the floor. Minimum clearances to combustibles must be maintained from vehicles parked below the heater.
- When installed over hoists, minimum clearances to combustibles must be maintained from the upper most point of objects on the hoist.

### 4.4 Electrical

The heater must be electrically grounded in accordance with the following codes:

United States: Refer to National Electrical Code®, NFPA 70 - latest revision. Wiring must conform to the most current National Electrical Code®, local ordinances and any special diagrams furnished.

Canada: Refer to Canadian Electrical Code, CSA C22.1 Part 1 - latest revision.

### 4.5 Venting

The venting must be installed in accordance with the requirements within this manual and the following codes:

United States: Refer to National Fuel Gas Code NFPA 54/ANSI Z223.1 - latest revision.

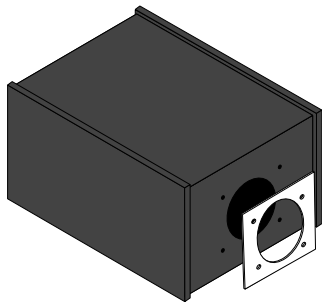
Canada: Refer to Natural Gas and Propane Installation Code CSA B149.1 - latest revision.

### 4.6 High Altitude

These heaters are approved for installations up to 2000' (610 m)(US), 4500' (1370 m)(Canada) without modification. Consult factory if US installation is above 2000' (610 m) or Canadian installation is above 4500' (1370 m).

**SECTION 5: MAJOR COMPONENTS**

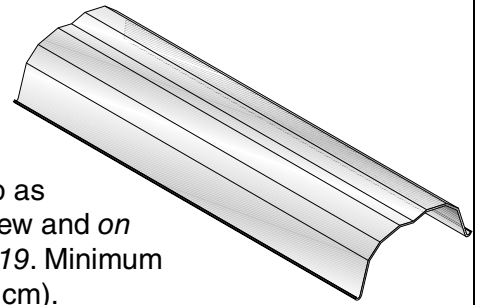
**FIGURE 14: Major Component Descriptions - Standard Reflector**



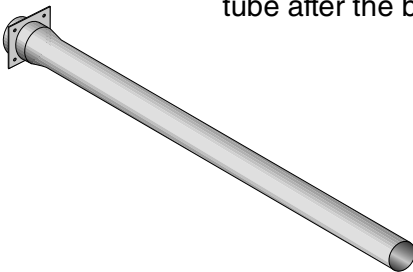
**Burner with Tube Gasket**  
 Must be installed with the flame observation window facing down.

**Standard Reflector (Aluminum or Stainless Steel)**

Alternate overlap as shown on overview and on Page 20, Figure 19. Minimum overlap is 6" (16 cm).



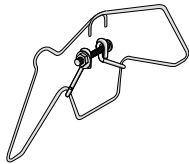
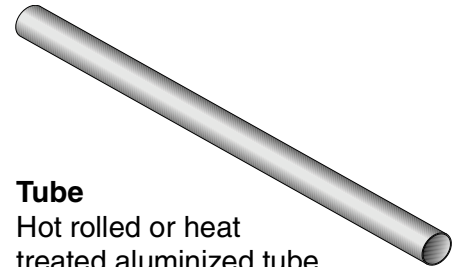
**Burner Tube**  
 Supplied in 10' (3 m) lengths. Burner tube is always the first tube after the burner.



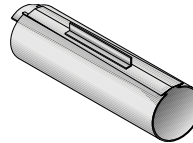
**Combustion Air Weather Vent**  
 Attach at flue end and air inlet where required.



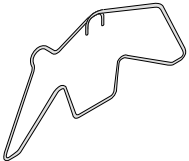
**Tube**  
 Hot rolled or heat treated aluminized tube supplied in 10' (3 m) lengths.



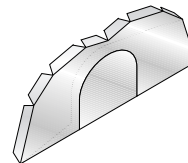
**Tube and Reflector Hanger with Clamp Package**  
 Position this hanger no more than 4" (10 cm) away from the burner.



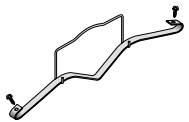
**Coupling Assembly with Lock**



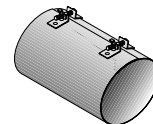
**Tube and Reflector Hanger**  
 Suspend system from these hangers.



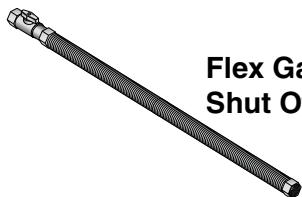
**Reflector End Cap**  
 Punch out center section to accommodate tube.



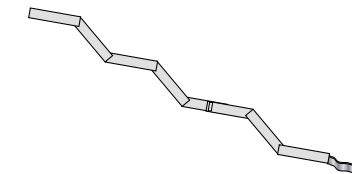
**Reflector Support Strap & Wire Form**



**Vent Adapter**

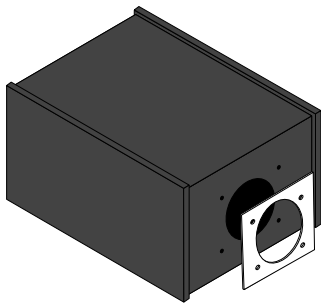


**Flex Gas Line with Shut Off Cock**



**Turbulator/Swirler**  
 Install turbulator/Swirler as specified in the "Turbulator/Swirler Installation" chart. See pages 24 and 25.

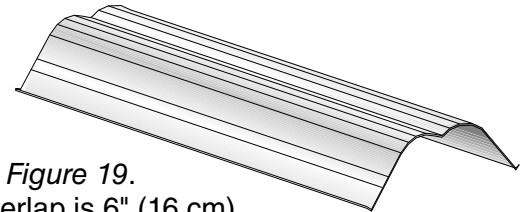
FIGURE 15: Major Component Descriptions - High Efficiency Reflector



**Burner with Tube Gasket**  
Must be installed with the flame observation window facing down.

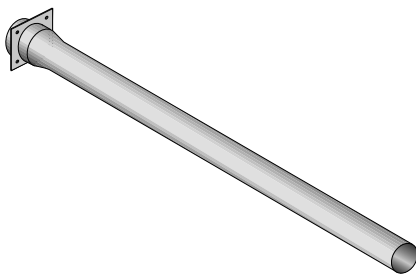
**High Efficiency Reflector (Aluminum Only)**

Alternate overlap as shown on overview and on Page 20, Figure 19. Minimum overlap is 6" (16 cm).



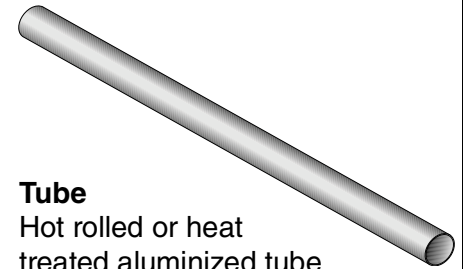
**Burner Tube**

Supplied in 10' (3 m) lengths. Burner tube is always the first tube after the burner.



**Combustion Air Weather Vent**

Attach at flue end and air inlet where required.



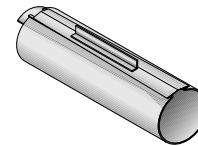
**Tube**

Hot rolled or heat treated aluminized tube supplied in 10' (3 m) lengths.



**Tube and Reflector Hanger with Clamp Package-EF**

Position this hanger no more than 4" (10 cm) away from the burner.

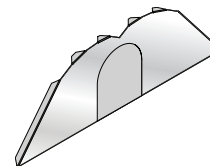


**Coupling Assembly with Lock**



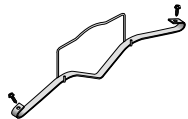
**Tube and Reflector Hanger-EF**

Suspend system from these hangers.

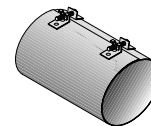


**Reflector End Cap-EF**

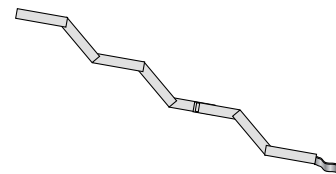
Punch out center section to accommodate tube.



**Reflector Support Strap & Wire Form**

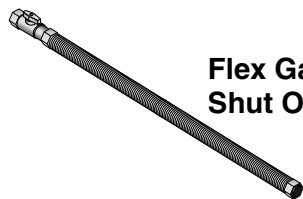


**Vent Adapter**



**Turbulator/Swirlor**

Install turbulator/Swirlor as specified in the "Turbulator/Swirlor Installation" chart. See pages 24 and 25.



**Flex Gas Line with Shut Off Cock**

## 5.1 Standard Parts List

### Table 1: Contents of the Burner Carton

Part No.	Description	HEV-40	HEV-60	HEV-80	HEV-100	HEV-125	HEV-150	HEV-175
038XXXXX	Burner Assembly (Rate and Fuel Varies)	1	1	1	1	1	1	1
02568200	Gasket (Burner to Burner Tube)	1	1	1	1	1	1	1
138100NA	Installation, Operation and Service Manual	1	1	1	1	1	1	1
03700009	Combustion Air Weather Vent	1	1	1	1	1	1	1
94273914	Hex Head Bolts 5/16" - 18 Rolok	4	4	4	4	4	4	4
96411600	Split Lock washer	4	4	4	4	4	4	4
91221100	Pipe Nipple (Galvanized) 1/2" NPT x 4"	1	1	1	1	1	1	1
91309701	Grommet - Liquid Tight	1	1	1	1	1	1	1
*91412204	36" Vinyl Coated Flexible Stainless Steel Gas Hose - 3/4" NPT (US Models Only)	1	1	1	1	1	1	1
03051501	Turbulator Adapter	1	1	1	1	-	-	-
03051502	Turbulator 2.5' (76 cm), Aluminized Steel	2	4	4	2	-	-	-
03051505	Turbulator 2.5' (76 cm), Stainless Steel	1	-	-	-	-	-	-
**03051509K	Swirler Package - 10' (3 m) (Contains Qty 2 - 62" Swirlers)	-	-	-	-	-	1	-
**03051510K	Swirler Package - 15' (4.5 m) (Contains Qty 3 - 62" Swirlers)	-	-	-	-	-	-	1
**03051511K	Swirler Package - 20' (6 m) (Contains Qty 4 - 62" Swirlers)	-	-	-	-	1	-	-

\*Canadian Models: Rubber (Type 1) Gas Hoses available as an accessory. See Page 57, Section 9.

\*\*Contents located in box separate from burner

**Table 2: Contents of Standard Core and Extension Packages**

Part No.	Description	Core Packages								Extension Packages							
		Aluminized with Aluminum Reflector				Aluminized with Stainless Steel Reflector				Aluminized with Aluminum Reflector				Aluminized with Stainless Steel Reflector			
		10' (3 m)	20' (6 m)	30' (9 m)	40' (12 m)	10' (3 m)	20' (6 m)	30' (9 m)	40' (12 m)	10' (3 m)	20' (6 m)	30' (9 m)	40' (12 m)	10' (3 m)	20' (6 m)	30' (9 m)	40' (12 m)
91409408	Tube, HT Aluminized, 10' (3 m)	-	1	2	3	-	1	2	3	1	2	3	4	1	2	3	4
03051101	Burner Tube, ALUMI-THERM® Steel, 10' (3 m)	-	-	1	1	-	-	-	-	-	-	-	-	-	-	-	-
03051102	Burner Tube, ALUMI-THERM® Steel, 10' (3 m)	-	-	-	-	-	-	1	1	-	-	-	-	-	-	-	-
03051601	Burner Tube, HT ALUMI-THERM® Steel, 10' (3 m)	1	1	-	-	-	-	-	-	-	-	-	-	-	-	-	-
03051602	Burner Tube, HT ALUMI-THERM® Steel - HE, 10' (3m)	-	-	-	-	1	1	-	-	-	-	-	-	-	-	-	-
01312700	Coupling Assembly	-	1	2	3	-	1	2	3	1	2	3	4	1	2	3	4
02750303	Standard Reflector, 8' (3.5 m)	2	3	4	6	-	-	-	-	2	3	4	6	-	-	-	-
027503SS*	Stainless Steel Reflector, 8' (3.5 m)	-	-	-	-	2	3	4	6	-	-	-	-	2	3	4	6
02750800	End Cap	2	2	2	2	-	-	-	-	-	-	-	-	-	-	-	-
027508SH*	Stainless Steel End Cap with Hole	-	-	-	-	2	2	2	2	-	-	-	-	-	-	-	-
03090100	Tube and Reflector Hanger	2	3	4	5	2	3	4	5	1	2	3	4	1	2	3	4
91907302	S-Hook	2	3	4	5	2	3	4	5	1	2	3	4	1	2	3	4
03050010	Reflector Support Package (Strap, Wire Form, Screws)	1	2	3	5	2	4	5	7	2	3	4	6	2	3	4	6
91107720	U-Clip Package	1	1	1	1	1	1	1	1	1	1	1	1	1	1	1	1
90502701	Vent Adapter	1	1	1	1	1	1	1	1	-	-	-	-	-	-	-	-
01318901	Tube Clamp Package	1	1	1	1	2	2	2	2	-	-	-	-	-	-	-	-
	<b>Part Number</b>	<b>CP10ALUM</b>	<b>CP20ALUM</b>	<b>CP30ALUM</b>	<b>CP40ALUM</b>	<b>CP10ALUMSS</b>	<b>CP20ALUMSS</b>	<b>CP30ALUMSS</b>	<b>CP40ALUMSS</b>	<b>EXP10ALUM</b>	<b>EXP20ALUM</b>	<b>EXP30ALUM</b>	<b>EXP40ALUM</b>	<b>EXP10ALUMSS</b>	<b>EXP20ALUMSS</b>	<b>EXP30ALUMSS</b>	<b>EXP40ALUMSS</b>

\* Optional with the aluminized core package.

**Table 3: Contents of High Efficiency Core and Extension Packages**

Part No.	Description	Core Packages				Extension Packages			
		Aluminized				Aluminized			
		10' (3m)	20' (6m)	30' (9m)	40' (12m)	10' (3m)	20' (6m)	30' (9m)	40' (12m)
91409300	Tube, Hot Rolled Steel, 10' (3 m)	-	-	-	-	-	-	-	-
91409408	Tube, HT Aluminized, 10' (3 m)	-	1	2	3	1	2	3	4
03051101	Burner Tube, ALUMI-THERM® Steel, 10' (3 m)	-	-	1	1	-	-	-	-
03051601	Burner Tube, HT ALUMI-THERM® Steel, 10' (3 m)	1	1	-	-	-	-	-	-
01312700	Coupling Assembly	-	1	2	3	1	2	3	4
02750313	High Efficiency Reflector, 8' (3.5 m)	2	3	4	6	2	3	4	6
02750802	End Cap, High Efficiency	2	2	2	2	-	-	-	-
03090102	Tube and Reflector Hanger, High Efficiency	2	3	4	5	1	2	3	4
91907302	S-Hook	2	3	4	5	1	2	3	4
03050012	Reflector Support Package (Strap, Wire Form, Screws)	1	2	3	5	2	3	4	6
91107720	U-Clip Package	1	1	1	1	1	1	1	1
90502701	Vent Adapter	1	1	1	1	-	-	-	-
01318902	Tube Clamp Package - EF	1	1	1	1	-	-	-	-
	<b>Part Number</b>	CP10ALUMEF	CP20ALUMEF	CP30ALUMEF	CP40ALUMEF	EXP10ALUMEF	EXP20ALUMEF	EXP30ALUMEF	EXP40ALUMEF

**NOTE:** High efficiency core and extension packages are available with aluminum reflectors only. High efficiency reflectors should NOT be used in applications exposed to wind.

**Table 4: Component Package Guide**

Model	Tubing Length	Standard Core Packages	
	Minimum	Aluminized	Stainless Steel
HEV-40	10' (3m)	CP10ALUM	CP10ALUM
HEV-60	20' (6m)	CP20ALUM	CP20ALUM
HEV-80	20' (6m)	CP20ALUM	CP20ALUM
HEV-100	30' (9m)	CP30ALUM	CP30ALUM
HEV-125	30' (9m)	CP30ALUM	CP30ALUM
HEV-150	40' (12m)	CP40ALUM	CP40ALUM
HEV-175	50' (15m)	CP30ALUM + EXP20ALUM	CP30ALUM + EXP20ALUMSS

**Table 5: Component Package Guide**

Model	Tubing Length	High Efficiency Core Packages
	Minimum	Aluminized
HEV-40	10' (3m)	CP10ALUMEF
HEV-60	20' (6m)	CP20ALUMEF
HEV-80	20' (6m)	CP20ALUMEF
HEV-100	30' (9m)	CP30ALUMEF
HEV-125	30' (9m)	CP30ALUMEF
HEV-150	40' (12m)	CP40ALUMEF
HEV-175	50' (15m)	CP30ALUMEF + EXP20ALUMEF

Although not recommended, additional tube lengths may be added to the heater. Tubing must be aluminized (heat-treated), or porcelain coated. Additional tube lengths beyond the specified minimum tubing length are considered vent pipe for length determination. Maximum vent length allowed is 45' (13.7 m) total.



**SECTION 6: HEATER INSTALLATION****⚠ WARNING****Severe Injury Hazard**

**Secure burner to burner tube with nuts and lockwashers.**

**Hang heater with materials with a minimum working load of 75 lbs (33 kg).**

**Failure to follow these instructions can result in death, injury or property damage.**

Typical installation configurations are shown in *Figure 16*.

Expansion and contraction of the tube dictates that the minimum suspension lengths in the table on *Page 17, Figure 16* be maintained.

**⚠ WARNING****Cut/Pinch Hazard**

**Wear protective gear during installation, operation and service.**

**Edges are sharp.**

**Failure to follow these instructions can result in injury.**

To ensure your safety, and comply with the terms of the warranty, all units must be installed in accordance with these instructions.

The gas or the electrical supply lines must not be used to support the heater.

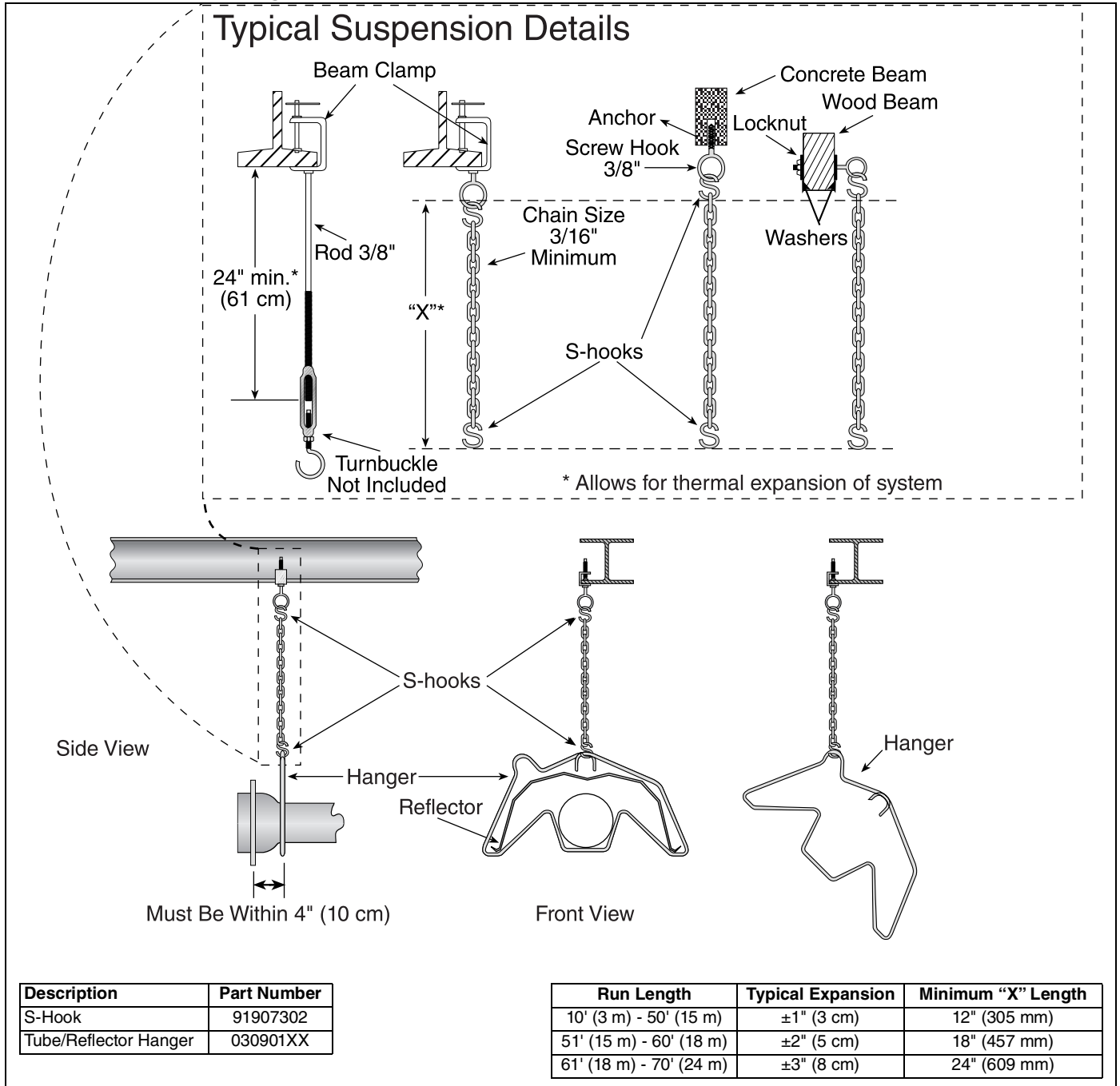
Do not locate the gas or electric supply lines directly over the path of the flue products from the heater.

The heater must be installed in a location that is readily accessible for servicing.

The heaters must be installed in accordance with clearances to combustibles as indicated on the rating plate and in this instruction manual.

The minimum and maximum gas inlet pressures must be maintained as indicated on the rating plate.

**FIGURE 16: Critical Hanger Placement**



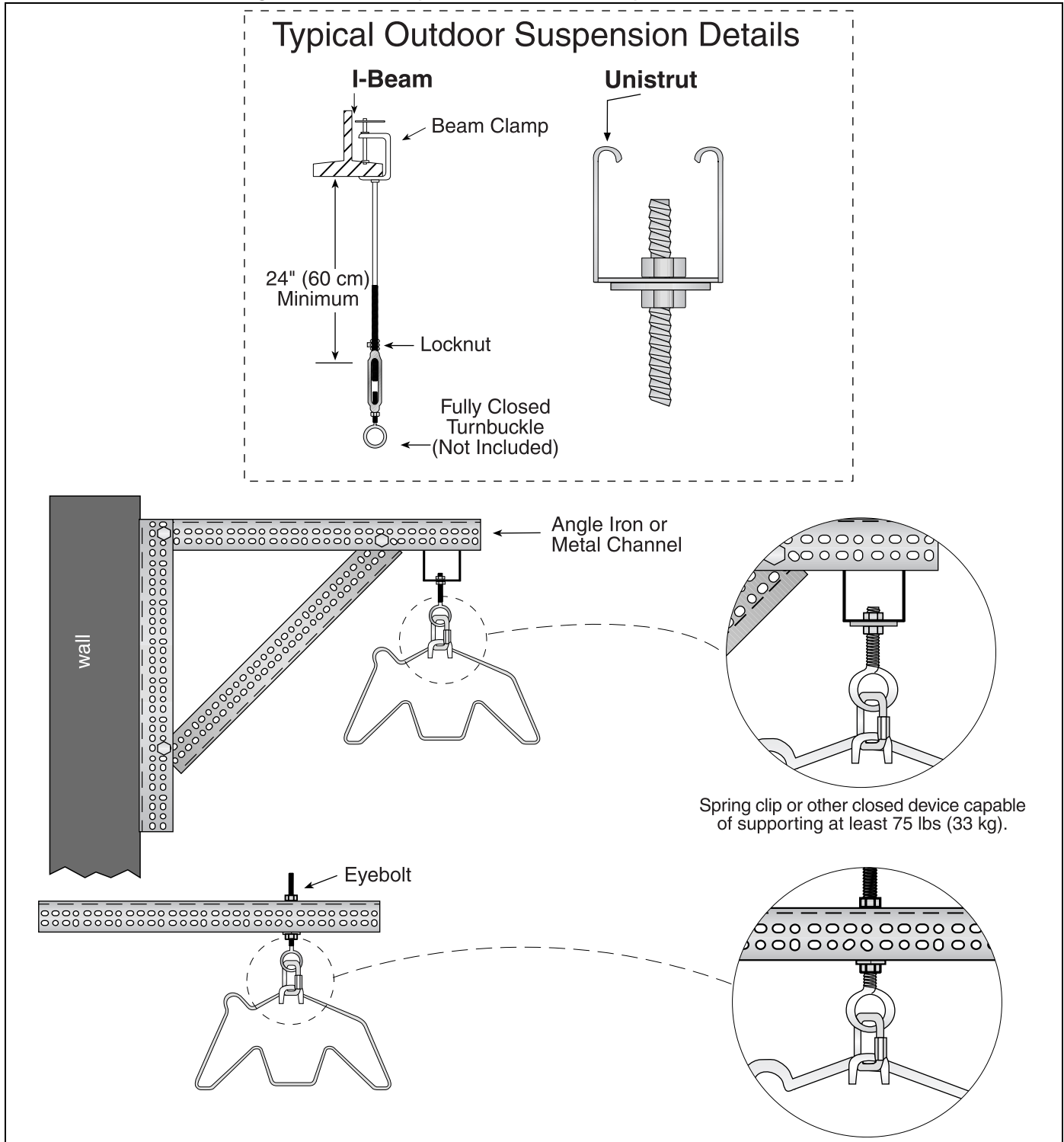
### 6.1 Outdoor Mounting

The heater is meant for stationary mounting in all situations and should not be suspended from any structure which may become mobile or from any organic structures such as trees. Clearances to combustibles must be maintained in all cases; do not install heaters in a location such as a parking area, where a vehicle with a painted or non-metallic upper surface,

may be parked within the clearances to combustibles. See Page 18, Figure 17.

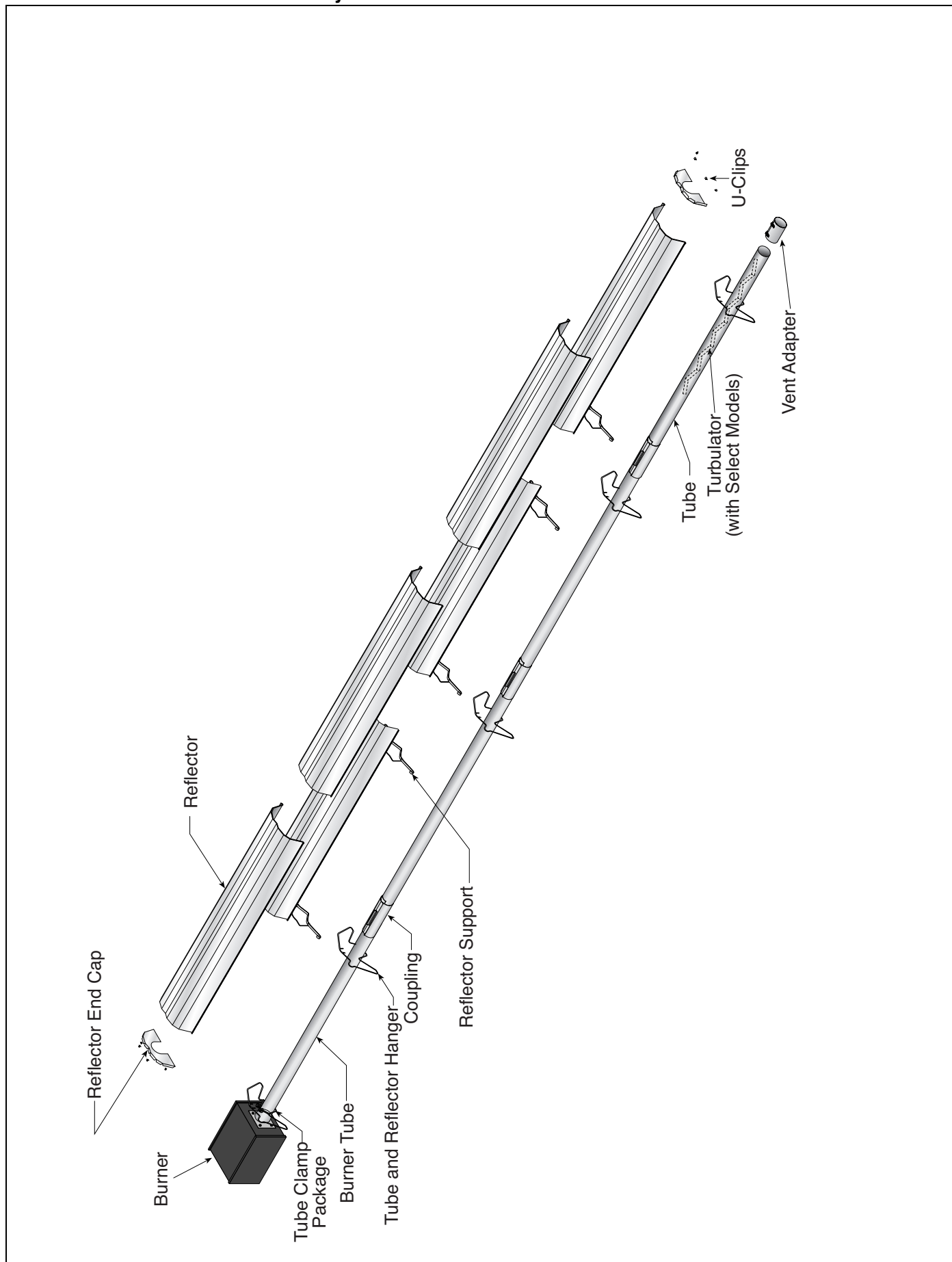
The bottom of the combustion air inlet shall not be less than 12" (30 cm) above a surface which could support snow, ice, or debris.

**FIGURE 17: Critical Hanger Placement (Outdoor Installation)**









**NOTE:** High efficiency reflectors should NOT be used in applications exposed to wind.

FIGURE 18: Linear Heater Assembly Overview



**FIGURE 19: Linear Heater Layout Overview**

LEGEND	
	Burner
	Reflector
	Tube
	Tube/Reflector Hanger
	Coupling Assembly
	Vent Adapter
<p>a = 14" (36 cm) reflector width (not shown)</p> <p>b = 2" (5 cm) end cap to burner</p> <p>c = 2" (5 cm) end cap to hanger</p> <p>d = 7'6" (229 cm) distance first hanger</p> <p>e = 10' (305 cm) distance between hangers</p> <p>f = 9.5" (24 cm) burner height</p> <p>g = 11.5" (29.2 cm) burner length</p>	

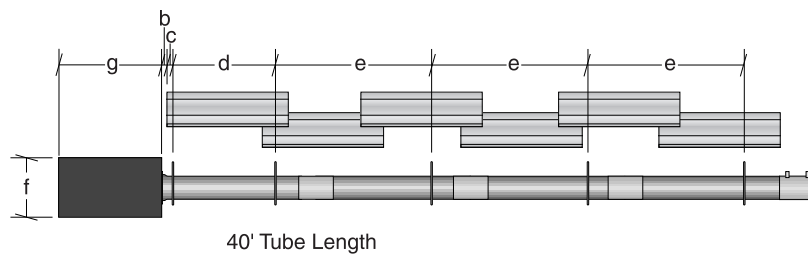
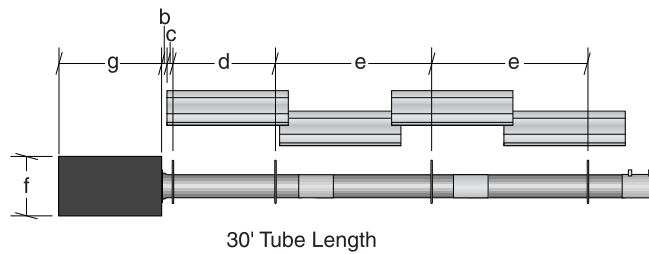
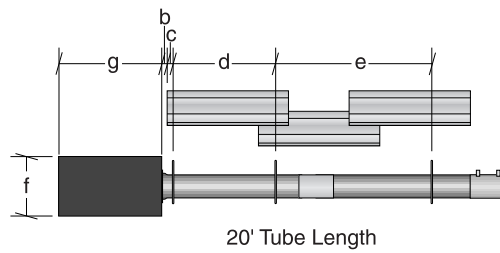
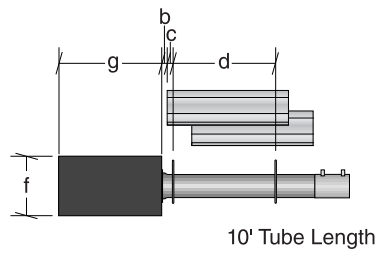
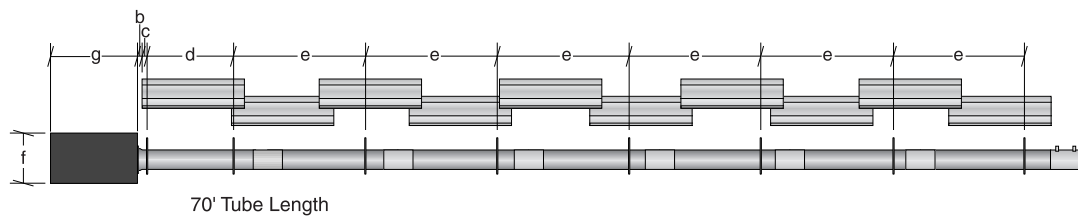
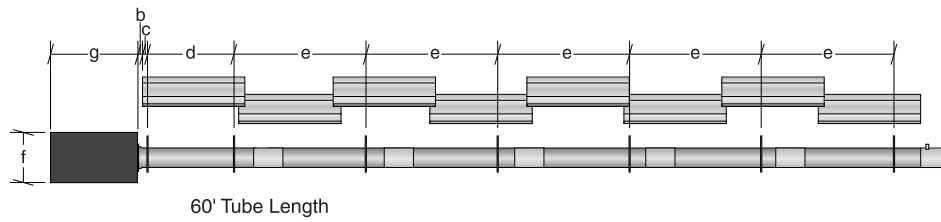
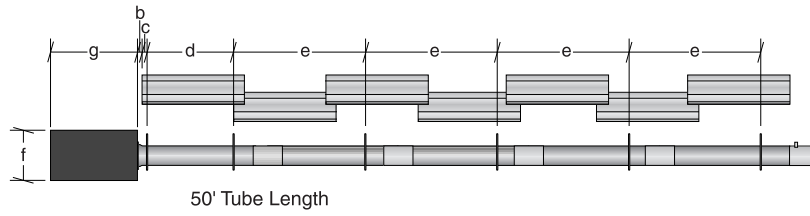


FIGURE 20: Linear Heater Layout Overview (Continued)



### Step 6.2 Burner Tube Installation

**NOTE:**  
 Tubing requires a downward slope of 1/2" (1.3 cm) per 20' (6 m) away from burner.

S-hook  
 Hanger  
 Burner Tube

7' 6" ± 1'  
 (229 cm ± 25 cm)

Offset mounting hole must be to the top.

Weld seam must be to the bottom of the tube.

Description	Part Number
Burner Tube	03051XXX
S-Hook	91907302
Tube/Reflector Hanger	030901XX

### Step 6.3 Tube Clamp Package Installation

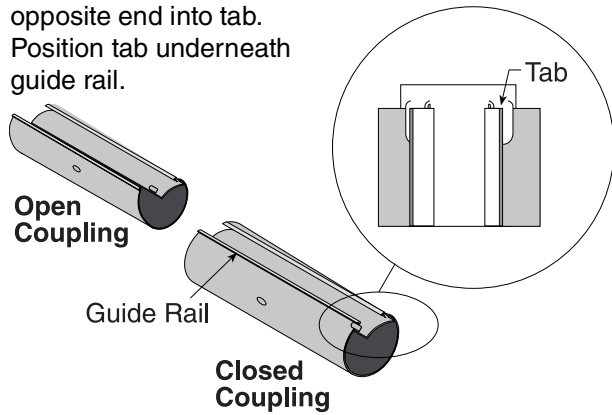
Description	Part Number
Tube Clamp Package	013189XX

Tube Clamp  
 Bolt  
 Flat Washer  
 Nut  
 (Torque 120 in/lb  
 13.56 Nm)

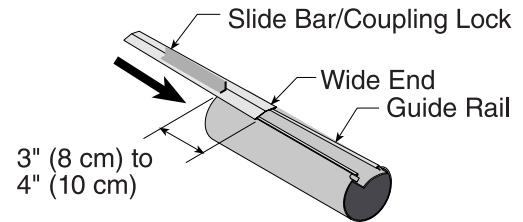
### Step 6.4 Coupling and Tube Assembly

**NOTE:** Prior to coupling installation review Swirler Installation on Page 25, Step 6.6. Models HEV-125 and HEV-175 require swirler tab to be installed under coupling. Swirler installation for these models must be complete prior to coupling installation.

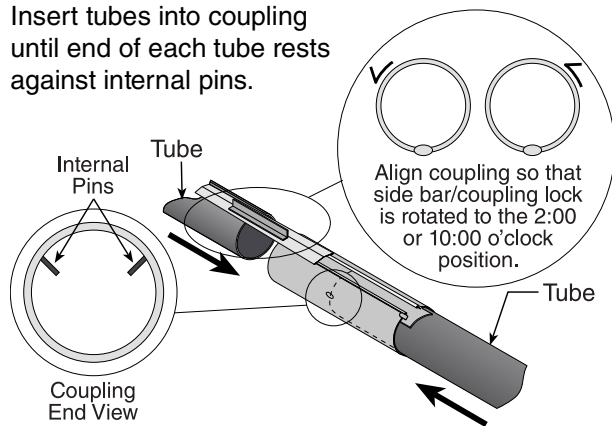
**A** Close coupling and slide opposite end into tab. Position tab underneath guide rail.



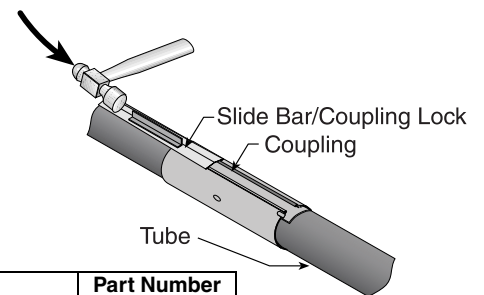
**B** Insert wide end of slide bar/coupling lock into guide rail on opposite end of tabs. Slide the slide bar/coupling lock up the guide rail until snug (approximately 3" (8 cm) to 4" (10 cm)).



**C** Insert tubes into coupling until end of each tube rests against internal pins.



**D**

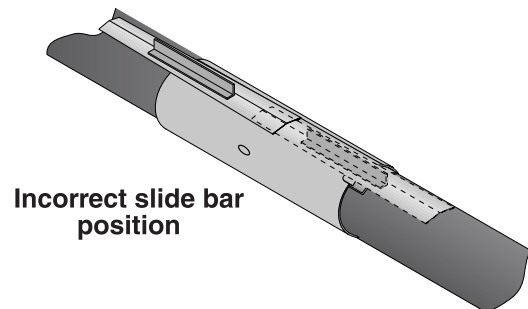
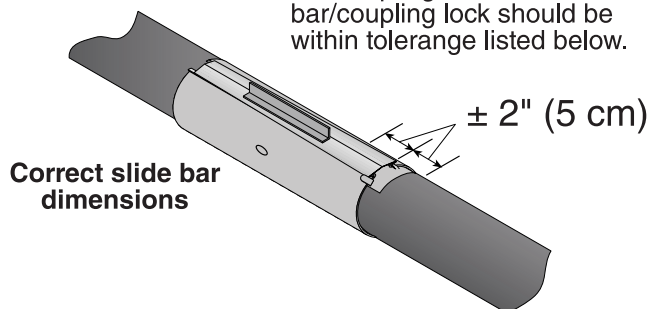


Description	Part Number
Coupling	01329600
Slide Bar/Coupling Lock	01329700
Tube	91409XXX

#### Step 6.4.1 Coupling and Tube Assembly (Continued)

Tighten slide bar as shown below.

Be sure not to over tighten slide bar/coupling lock. Slide bar/coupling lock should be within tolerance listed below.



• Repeat Step 6.4 A - D until all tubes are assembled. See Page 24, Section 6.4.2.



**Step 6.4.2 Coupling and Tube Assembly (Continued)**

The diagram shows a long HEV tube being assembled. It is supported by a chain and a hook. Two dimensions are indicated: a distance of  $7' 6'' \pm 1'$  (229 cm  $\pm$  25 cm) from the left end to the first support, and a distance of  $10' \pm 1'$  (305 cm  $\pm$  25 cm) between the two supports. The total overall tube length is also indicated.

Model	Tube Length Minimum
HEV-40	10' (3 m)
HEV-60	20' (6 m)
HEV-80	20' (6 m)
HEV-100	30' (9 m)
HEV-125	30' (9 m)
HEV-150	40' (12 m)
HEV-175	50' (15 m)

**Step 6.5 Turbulator Installation**

Install turbulator as specified in the "Turbulator Installation" chart below.

The diagram illustrates the installation of a turbulator section into a tube. A turbulator section is attached to a turbulator adapter, which is then inserted into the tube. A tab is shown being folded around the outside of the tube to hold the turbulator in place. A pull string is used to pull the turbulator section into the tube. A circular inset shows a close-up of the tab being twisted around the tube.

Turbulator Section

Turbulator Adapter

Tab

TWIST

Turbulator Section (stainless) used in HEV-40 heaters must be in the first 10' (3 m) tube section.

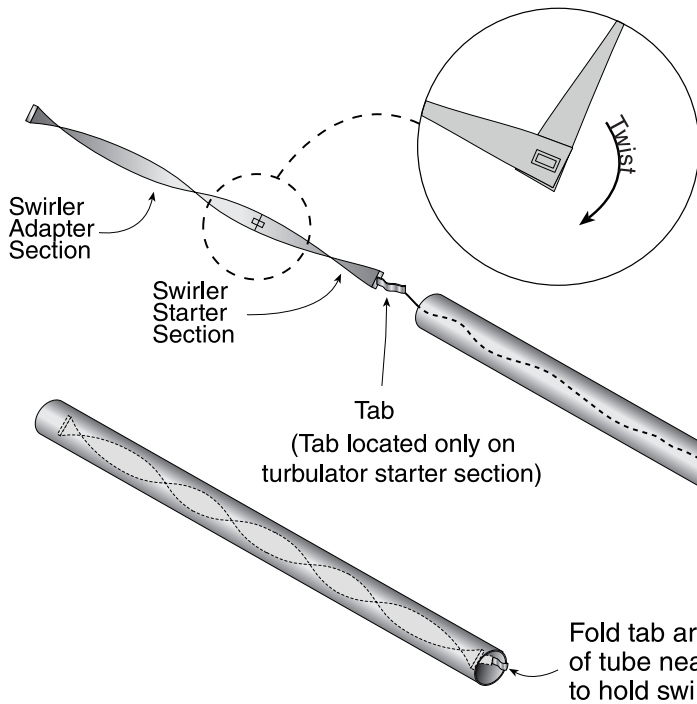
Pull String

Fold tab around outside of tube nearest to the vent to hold turbulator in place.

Turbulator Installation Chart	
Model	Tube Section
HEV-40	1st 10' Section
HEV-60	2nd 10' Section
HEV-80	2nd 10' Section
HEV-100	3rd 10' Section

Description	Part Number
Turbulator Adapter	03051501
Turbulator Section	03051502
Turbulator Section (stainless)	03051505
Tube	91409XXX

## Step 6.6 Swirler Installation



Swirler installation required for models specified in chart below.

Begin installing swirler at end of tube section as described in the "Swirler Installation" chart below and continue towards burner.

**Note:** If heater length is extended 10' (3 m) beyond the specified minimum heat exchanger length swirler can begin in either the specified tube section (according to the "Swirler Installation" chart) or the end of the 10' (3 m) extension and continue towards burner.

Fold tab around outside of tube nearest to the vent to hold swirler in place.

Installer can use pull string to pull swirlers through tube, or the swirlers may be pushed into tube.

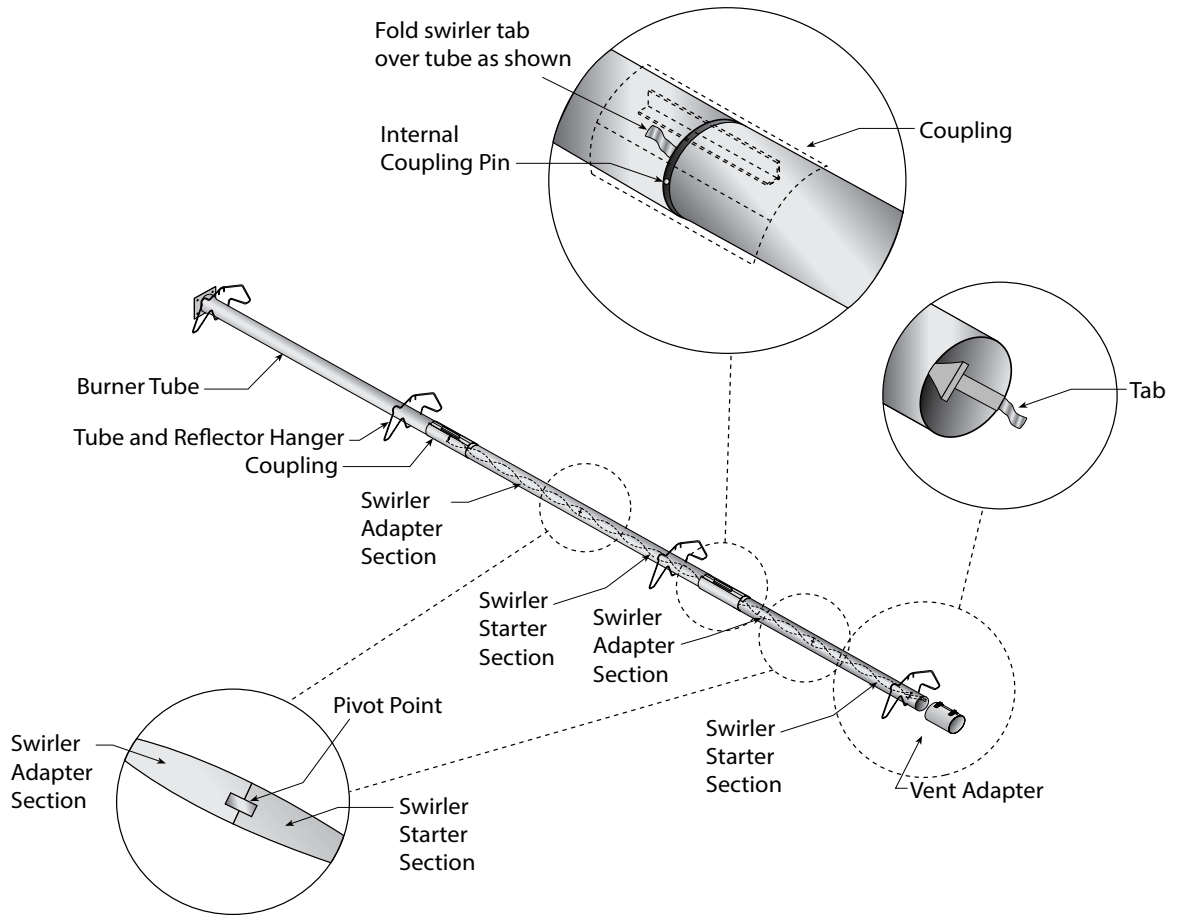
Swirler Installation		
Model	Tube Section	Swirler Qty
HEV-125	3rd 10' (3 m) Section	2 Starters + 2 Adapters
HEV-150	4th 10' (3 m) Section	1 Starter + 1 Adapter
HEV-175	5th 10' (3 m) Section	2 Starters + 1 Adapter

Swirlers should not to be installed through 180° "U" sections or elbows. For this reason, 15' and 20' long swirler packages each contain 2 swirler starter sections to allow for starter pieces to be installed before and after "U" sections and elbows. Swirler starter section identified as section with tab on end. Swirlers should be installed as shown in figures 21 through 27.

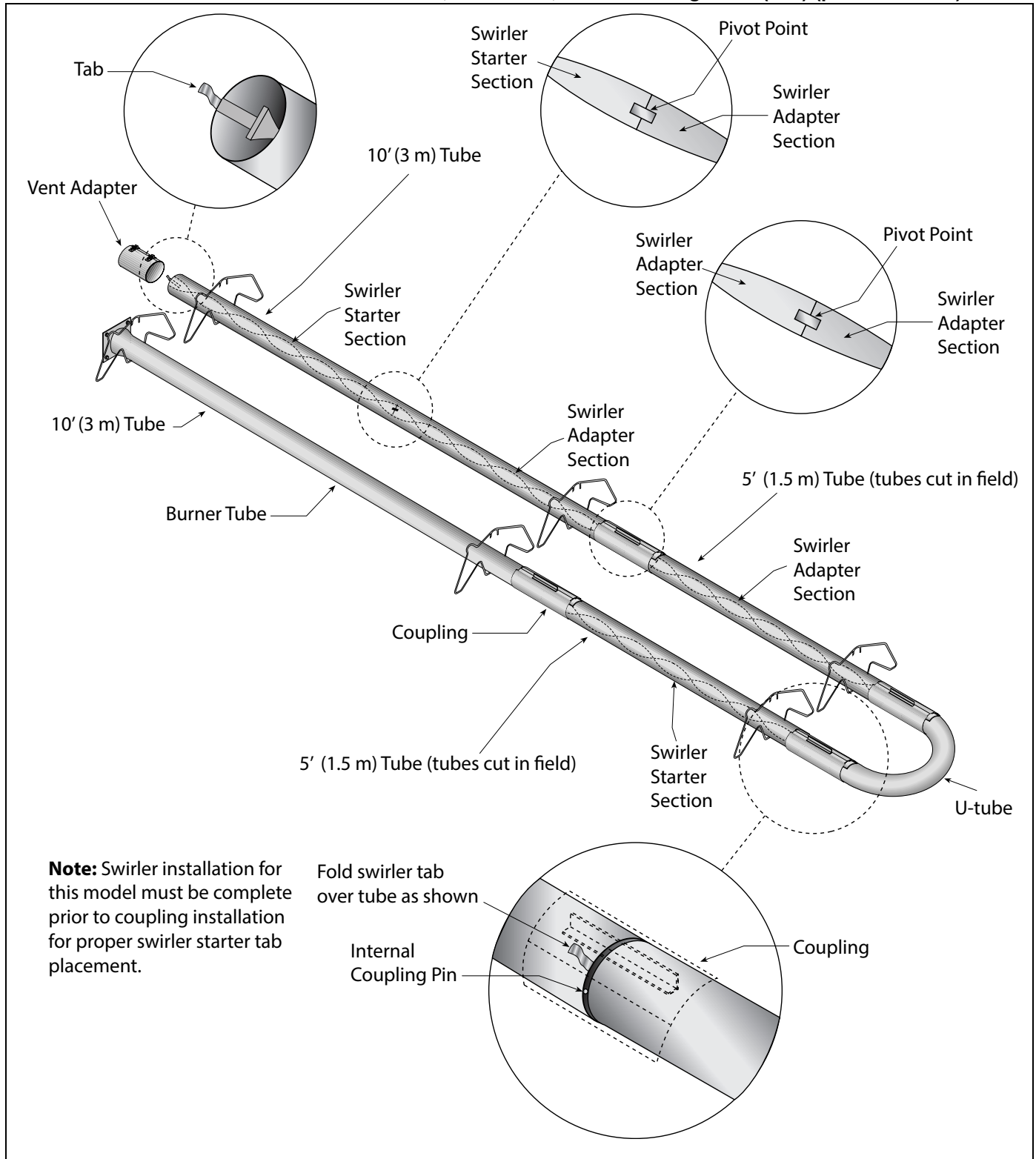
Description	Part Number
Swirler Starter 62" (1.6 m)	03051506
Swirler Adapter 62" (1.6 m)	03051507
Tube	91409XXX

**FIGURE 21: Swirler Installation Model: HEV-125, 30' Straight Tube; Swirler Package - 20' (6 m) (p/n 03051511K)**

**Note:** Swirler installation for this model must be complete prior to coupling installation for proper swirler starter tab placement.

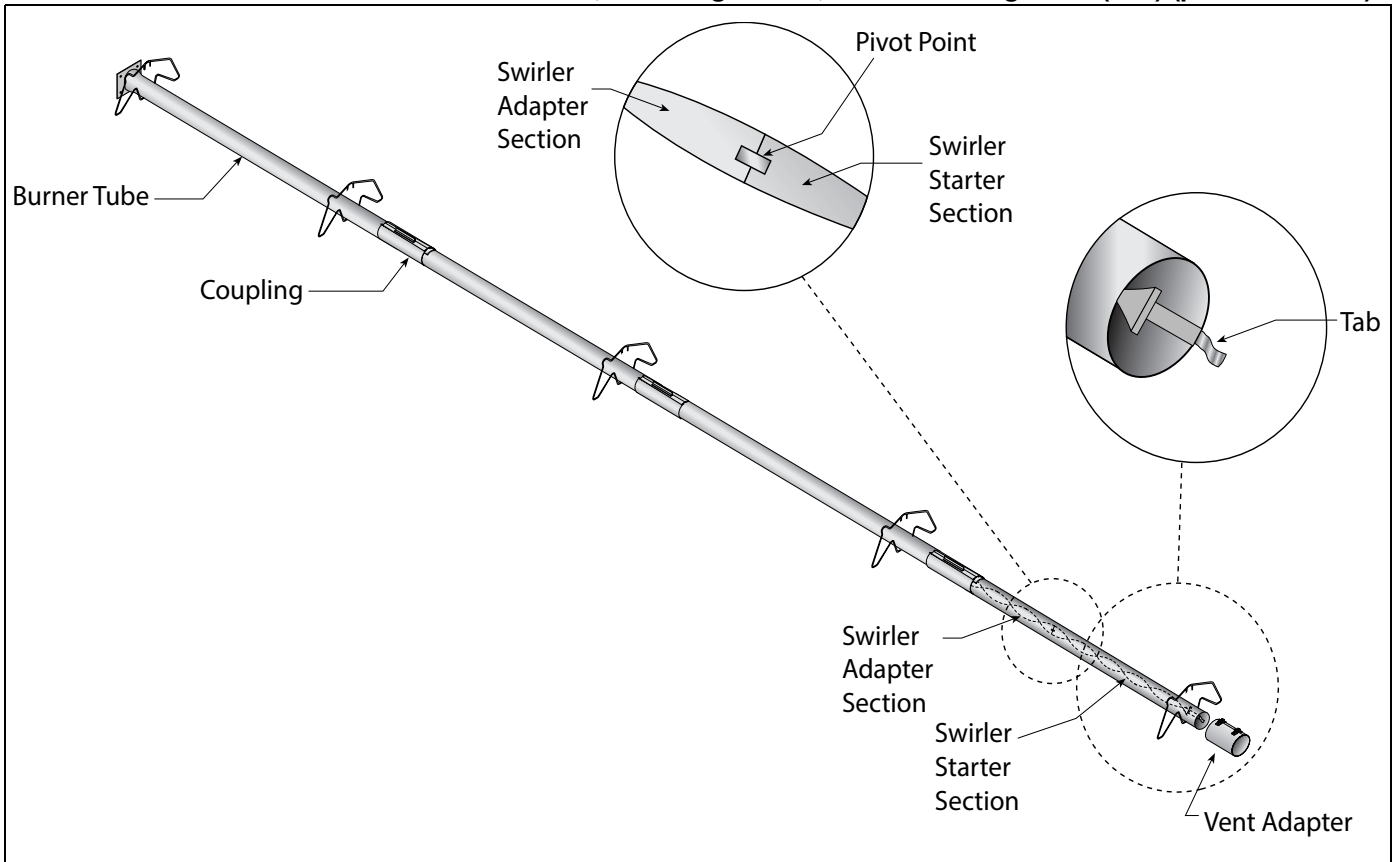


**FIGURE 22: Swirler Installation Model: HEV-125, 30' U-Tube; Swirler Package - 20' (6 m) (p/n 03051511K)**

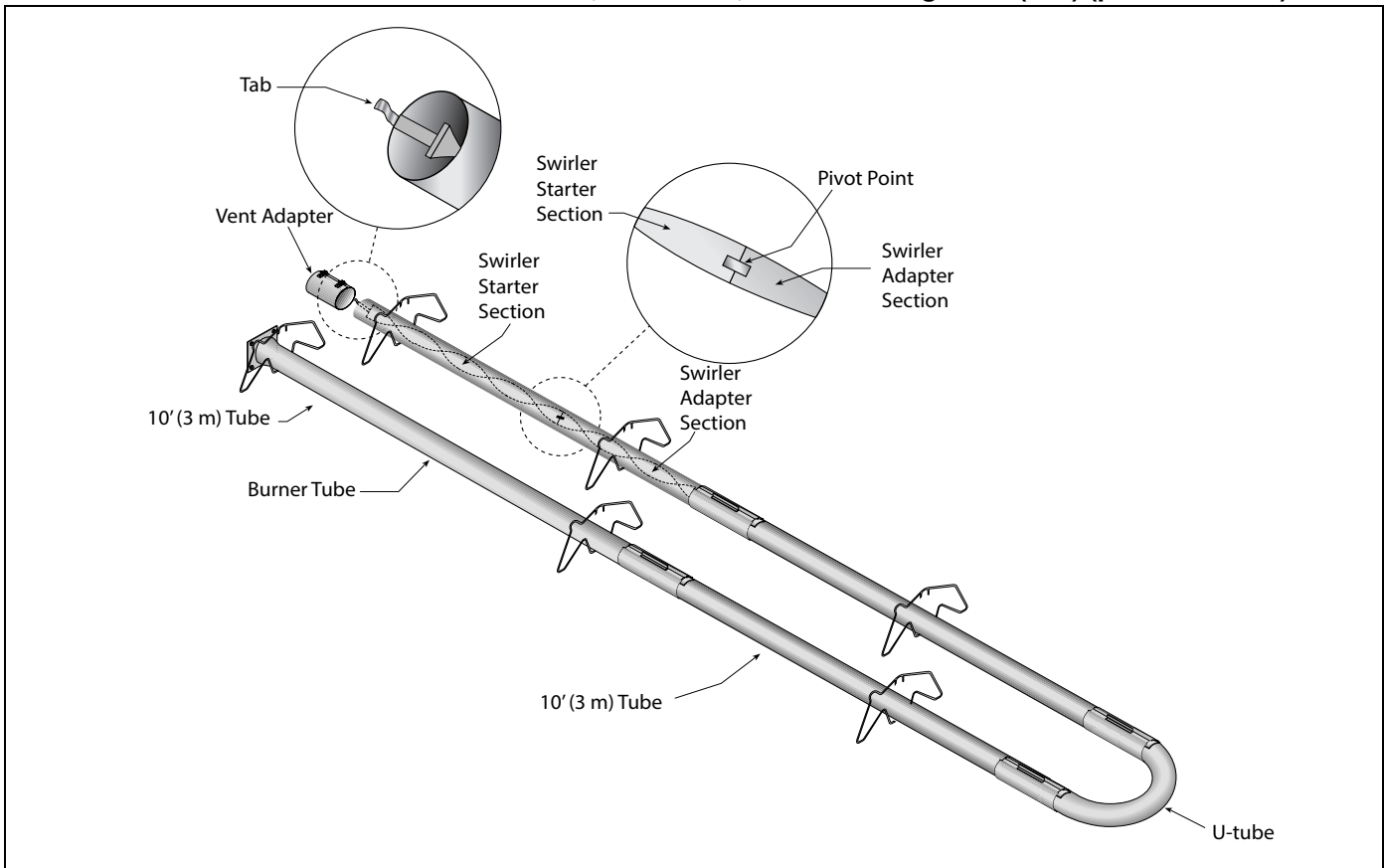


See Page 34 for U-Tube installation instructions.

**FIGURE 23: Swirler Installation Model: HEV-150, 40' Straight Tube; Swirler Package - 10' (3 m) (p/n 03051509K)**



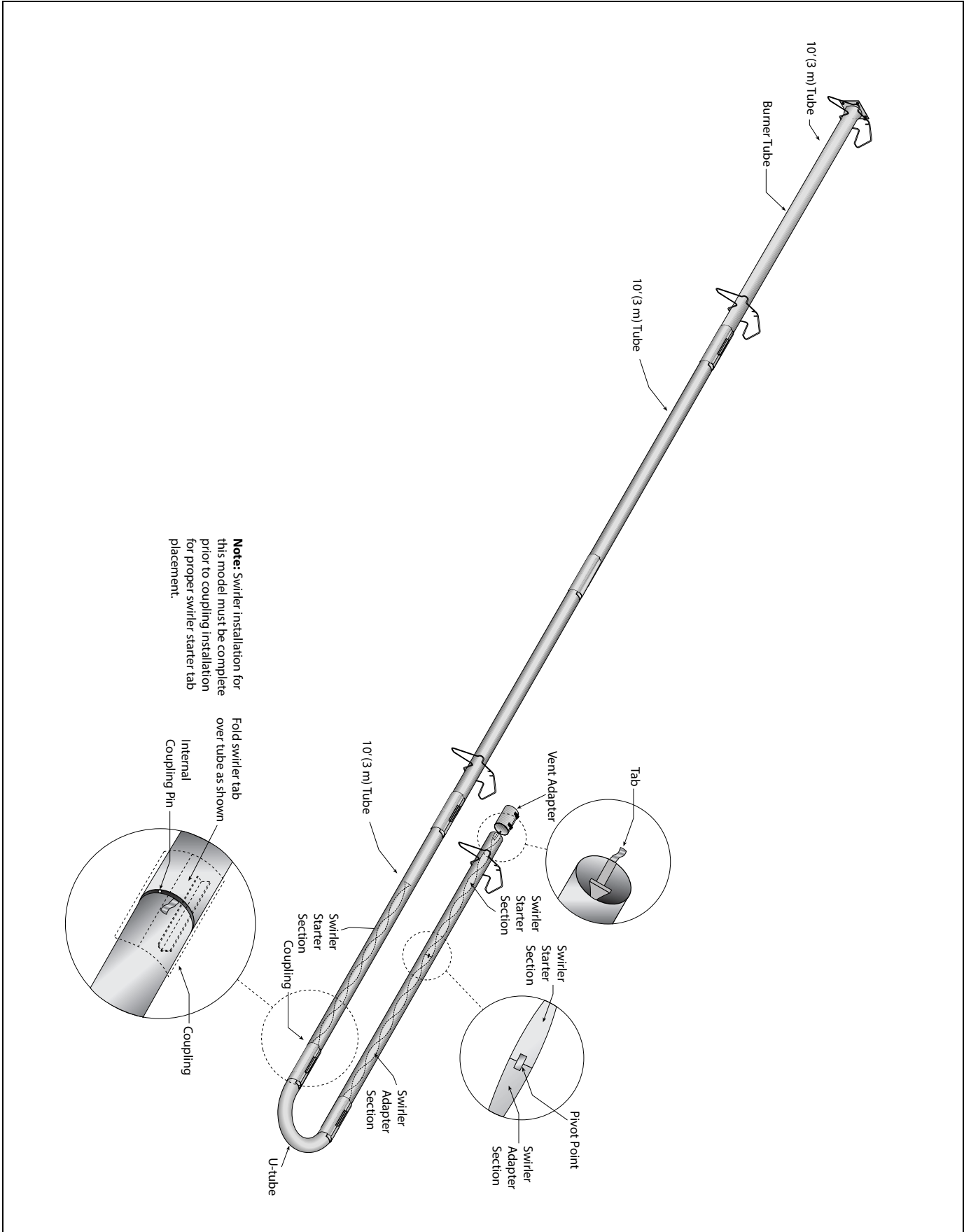
**FIGURE 24: Swirler Installation Model: HEV-150, 40' U-Tube; Swirler Package - 10' (3 m) (p/n 03051509K)**



See Page 34 for U-Tube installation instructions.



FIGURE 27: Swirler Installation Model: HEV-175, 50' Uneven U-Tube; Swirler Package - 15' (4.5 m) (p/n 03051510K)



See Page 34 for U-Tube installation instructions.

## Step 6.7 Reflector Installation

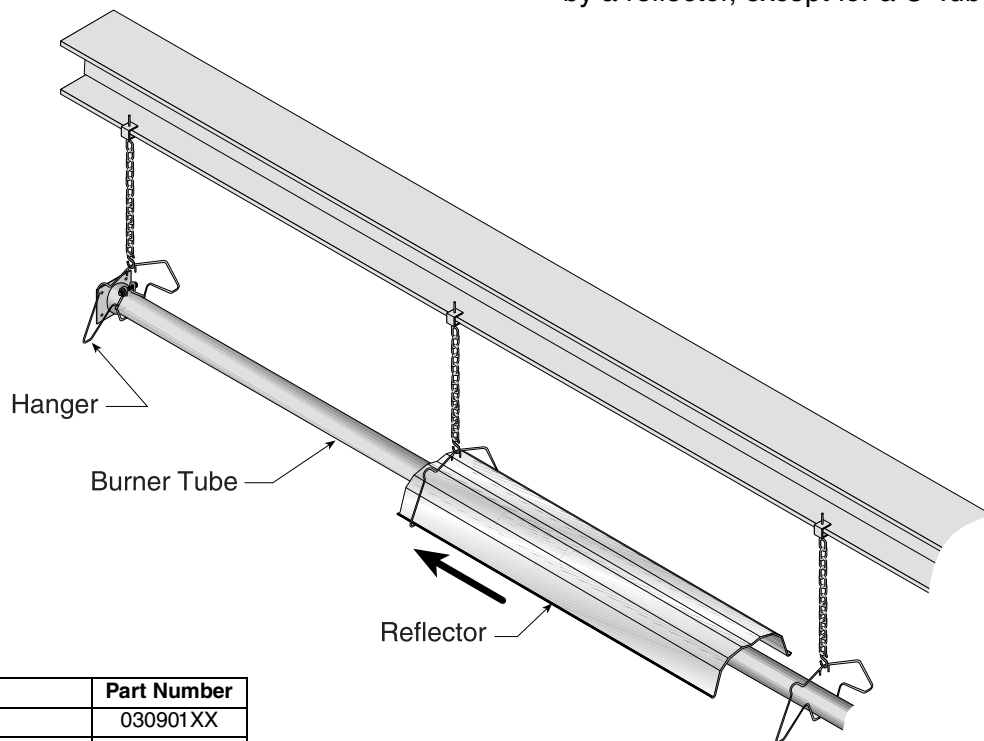
**⚠ WARNING****Fire Hazard**

Support reflector with reflector hanger and support strap.

Reflector must not touch tube.

Failure to follow these instructions can result in death, injury or property damage.

**NOTE:** All tube surfaces must be covered by a reflector, except for a U-Tube.



Description	Part Number
Tube/Reflector Hanger	030901XX
Burner Tube	03051XXX
Reflector - 96" (244cm)	027503XX



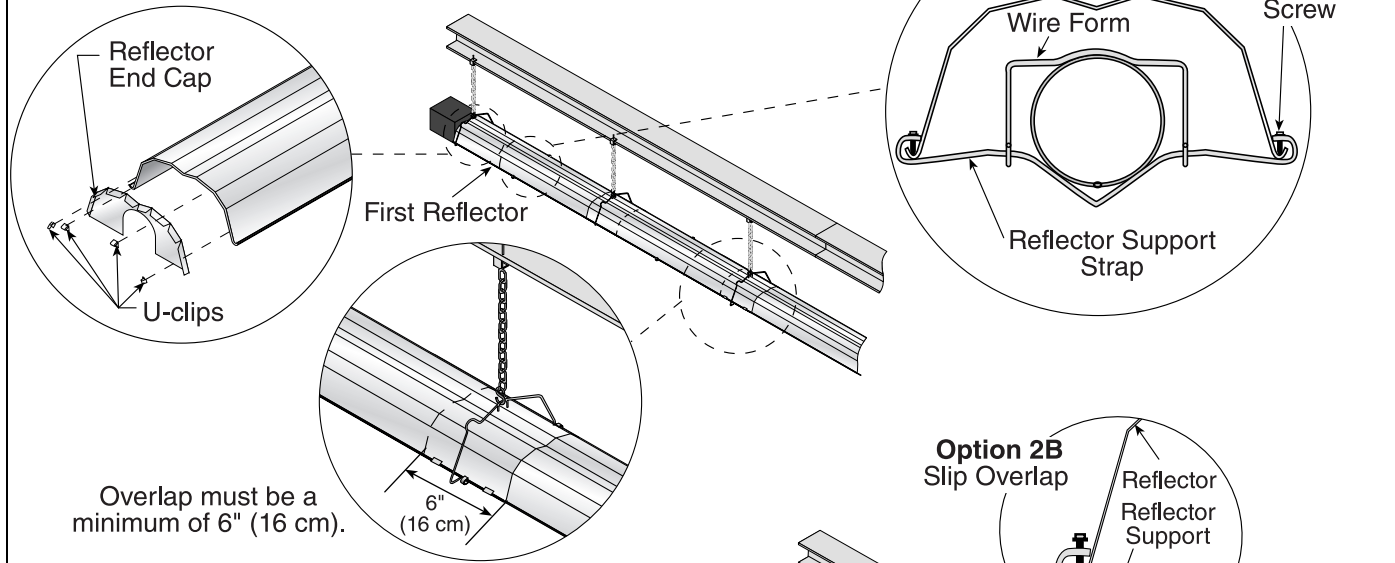
### Step 6.7.1 Reflector, U-Clip and Reflector Support Installation

The pictorial drawings of the heater construction in Section 6 are schematic only and provide a general guideline of where hangers, reflector supports and U-clips are to be installed.

tor supports and U-clips depends on the individual installation. Use either pop rivets or sheet metal screws instead of u-clips when installing end caps and joint pieces in areas where impact and high wind may be a factor. The following rules must be observed.

To ensure proper expansion and contraction movement of the reflectors, a combination of U-clips and reflector supports are used. The positioning of reflector

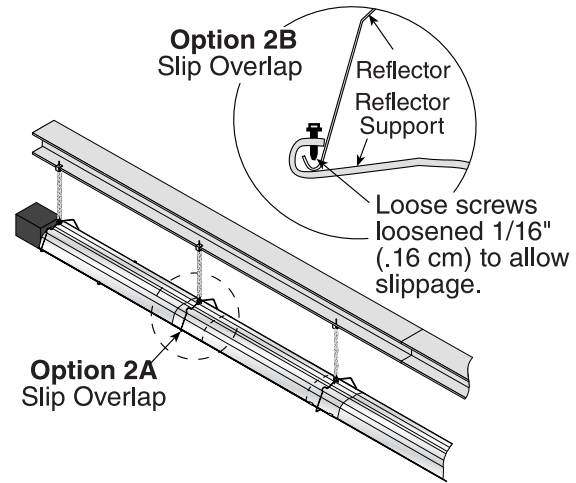
1. Slide first reflector after burner a minimum 2" (4 cm) through first hanger and ensure reflector end cap is securely fastened via U-clips, pop rivets, or sheet metal screws. Position reflector support with tight screws in middle of first reflector.



Overlap must be a minimum of 6" (16 cm).

2. The overlap at the first and second reflector is a **slip overlap**. Thereafter, every third reflector joint is a slip overlap. A slip overlap is achieved by either:

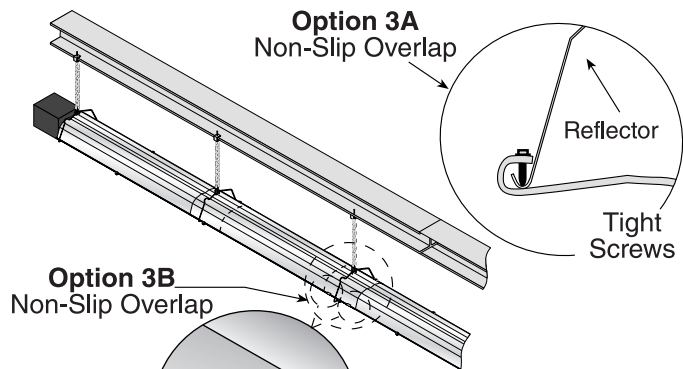
- a.) both reflectors lay inside a hanger.
- (No reflector support needed.)
- b.) using a reflector support with loose screws at the reflector overlap.



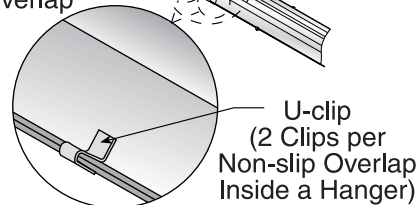
3. The remaining reflector overlaps require a **non-slip overlap** connection. To affix the reflectors together in a non-slip overlap either:

- a.) use reflector support and tight screws.
- b.) if both reflectors lay inside a hanger, u-clips or sheet metal screws may be used.

This section of three reflectors joined together must be affixed to the tube with at least one reflector support with tight screws.

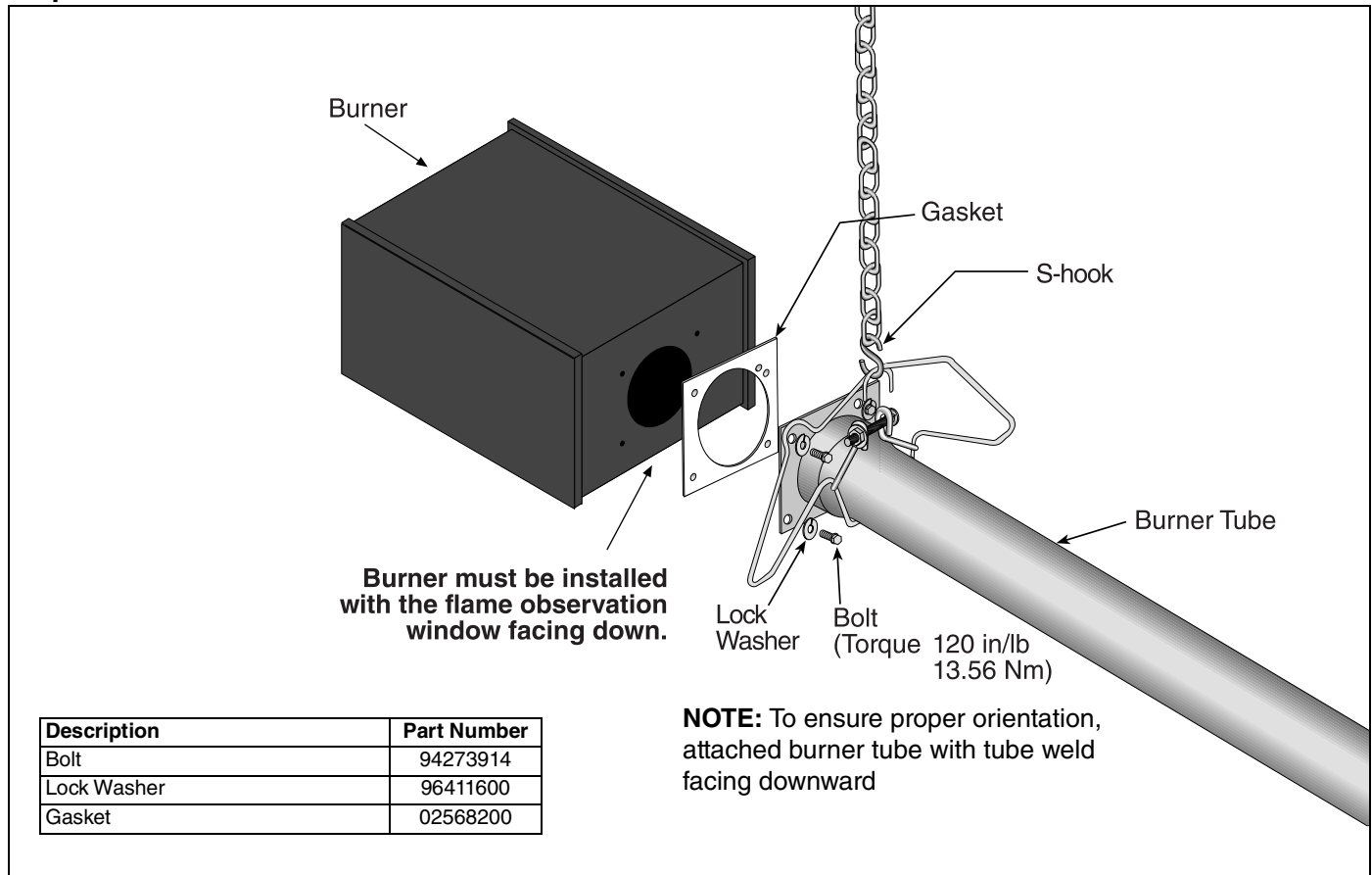


**NOTE:** High efficiency reflectors should NOT be used in applications exposed to wind.



Description	Part Number
<b>Reflector Support Package</b>	<b>030500XX</b>
Wire Form	91908004
Reflector Support Strap	0305000X
Screw #8 x 3/4	94320812
U-Clip Package	91107720
Reflector End Cap	027508XX

## Step 6.8 Burner Installation



**SECTION 7: OPTIONAL HEATER ACCESSORIES****! WARNING****Cut/Pinch Hazard**

**Wear protective gear during installation, operation and service.**

**Edges are sharp.**

**Failure to follow these instructions can result in injury.**

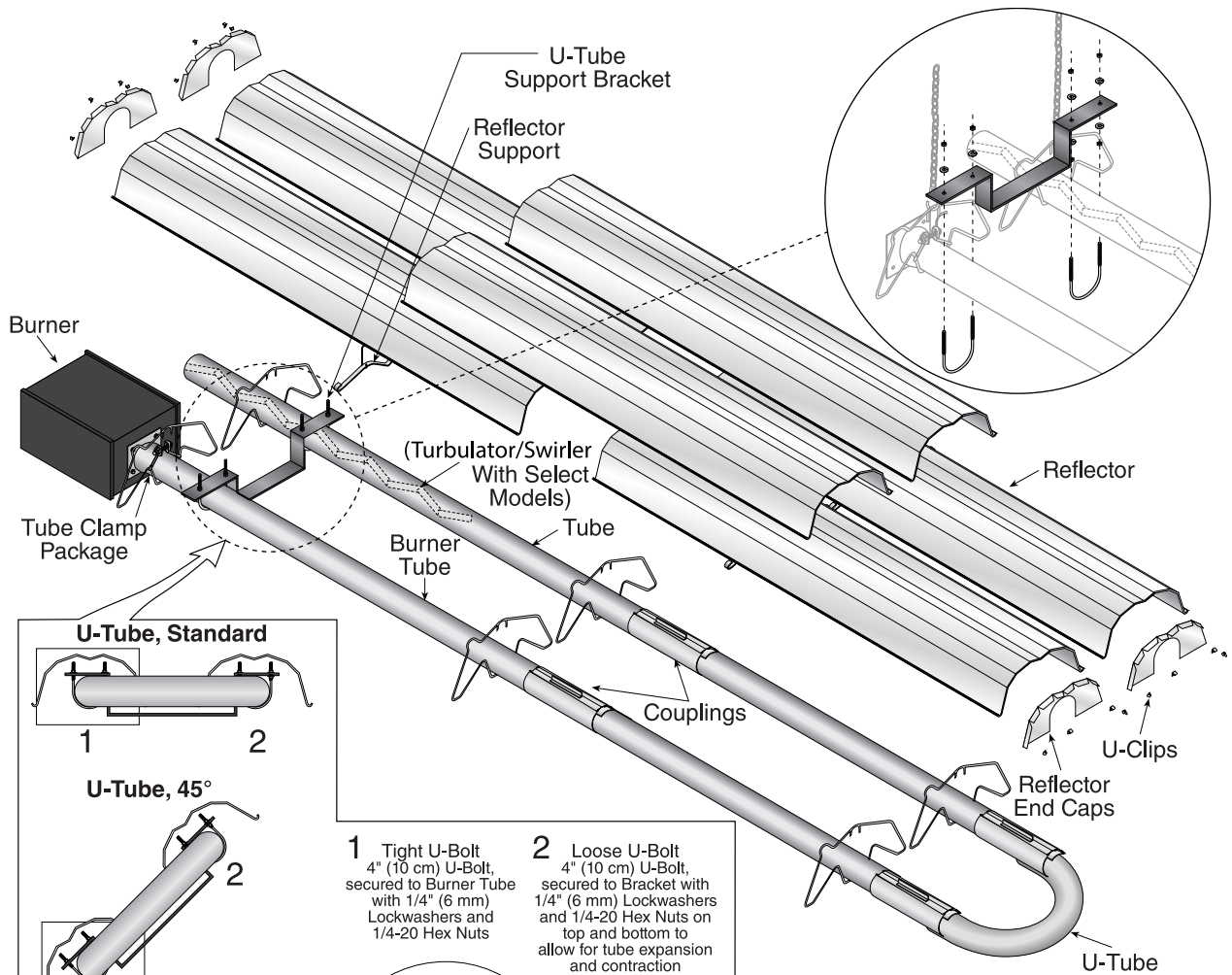
**7.1 U-Tube Configuration**

Heaters (except HEV-40) are approved for optional U-Tube configurations.

The U-Tube may be installed in either a standard horizontal position, a 45° position or in an opposite 45° position as shown on *Page 7, Figure 8 through Figure 10*. When using a U-Tube configuration, the following additional rules must be adhered to:

- A minimum of 10' (3 m) on HEV-60/80 and a minimum of 15' (4.5 m) on HEV-100/125/150/175 is required between the burner and the U-Tube.
- The correct turbulator/swirler (See *Page 24, Figure 6.5* and *Figure 6.6, Page 25*) must be installed in the last standard section of tube.
- The burner must never be operated in a tilted position.
- The heater must be properly supported at all locations. See *Page 36, Figure 29*.








FIGURE 28: U-Tube Heater Assembly Overview



Mounting hardware shown is for indoor installation only. See Page 17, Figure 16 for outdoor suspension details.

Description	Part Number
<b>U-Tube Package</b>	<b>03011XXX</b>
180° U-Tube	013359XX
Tube and Reflector Hanger	030901XX
Coupling	01312700
Reflector End Cap	027508XX
U-Tube Support Bracket	030205XX
4" (10 cm) U-Bolts	91912500
<b>Reflector Support Set</b>	<b>030500XX</b>
S-Hook	91907302
Hex Nut	92113000
Lock Washer	96411500

**FIGURE 29: U-Tube Heater Layout Overview**

LEGEND	
	Burner
	Reflector
	Tube 10'
	Tube 5' **
	Tube/Reflector Hanger
	Coupling Assembly
	U-Tube

a = 14" (36 cm)  
reflector width (not shown)

b = 2" (5 cm)  
end cap to burner

c = 2" (5 cm)  
end cap to hanger

d = 7'6" (229 cm)  
distance first hanger

e = 10' (305 cm)  
distance between hangers

f = 5' (153 cm)  
distance between last full tube hanger and half tube hanger

g = 11.5" (29.2 cm)  
burner length

h = 9.5" (24 cm)  
burner height

\*Requires the last **reflector** before the U-Tube to be cut in half for use on both sides.

\*\*Requires the last **tube** before the U-Tube to be cut in half for use on both sides.

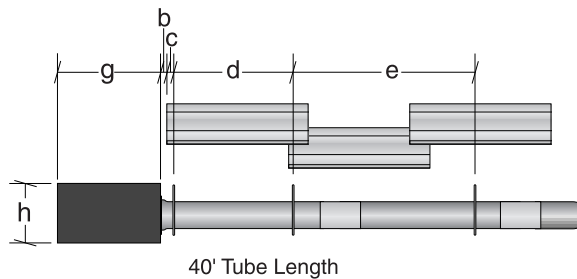
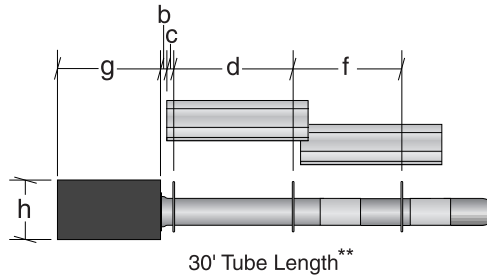
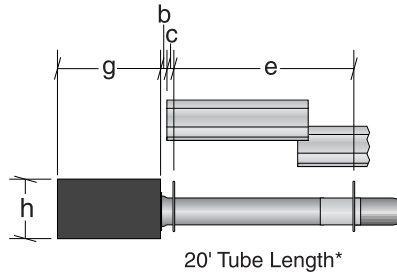
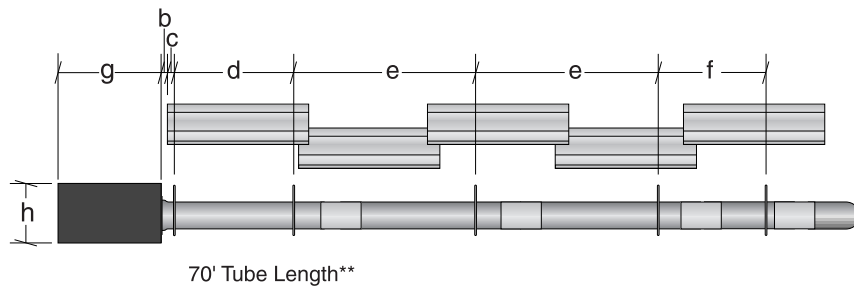
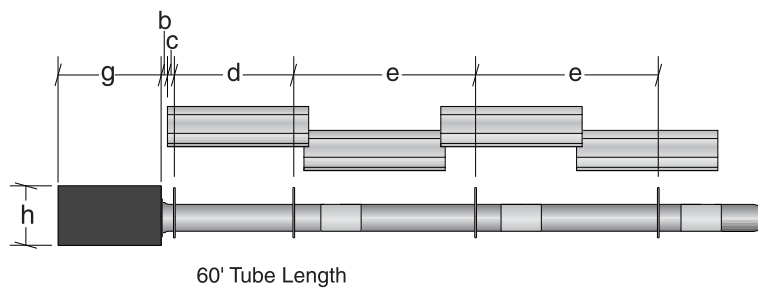
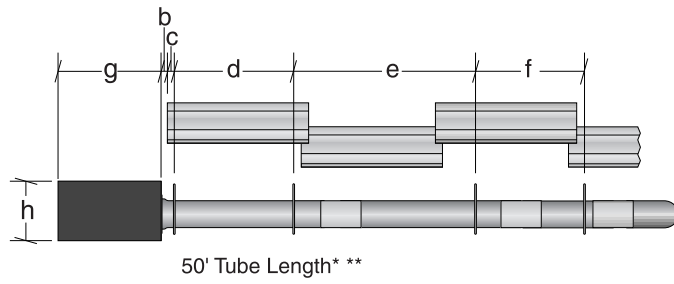


FIGURE 30: U-Tube Heater Layout Overview (Continued)



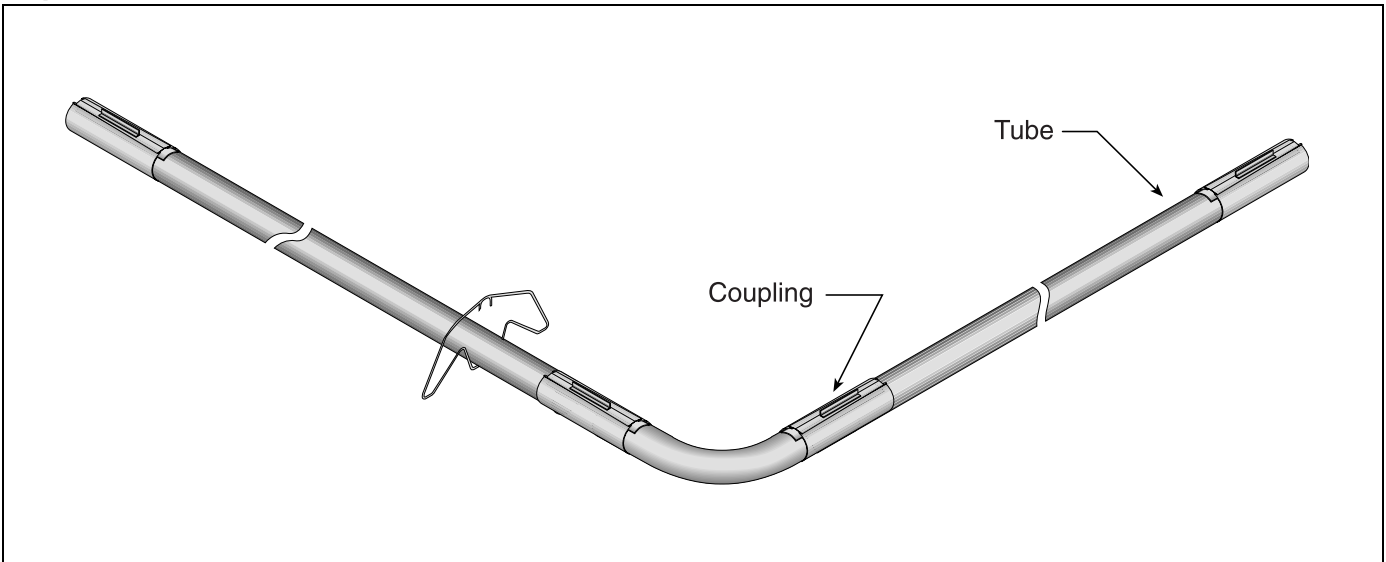
## 7.2 Elbow Package Configuration

### Step 7.2.1 Elbow Installation

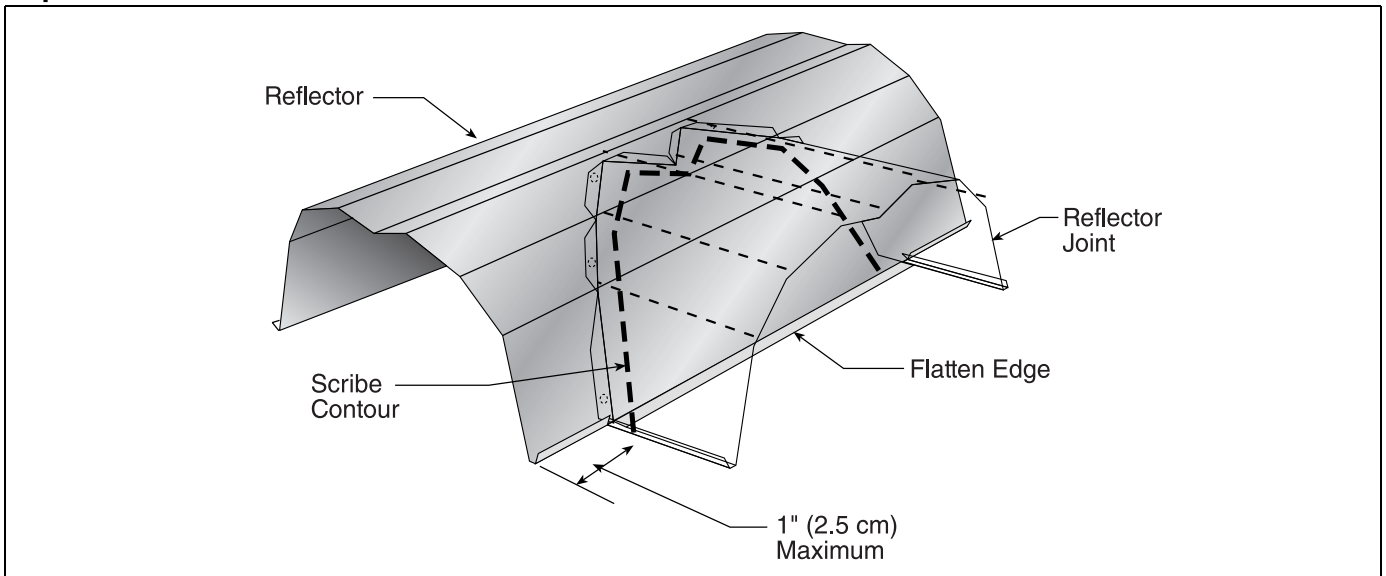
Description	Part Number
<b>Elbow Package</b>	<b>027187XX</b>
90° Elbow	01335801
Coupling	01312700
Reflector End Cap	0275080X
Reflector Joint Piece	0275090X
<b>U-Clip Package</b>	<b>91107720</b>

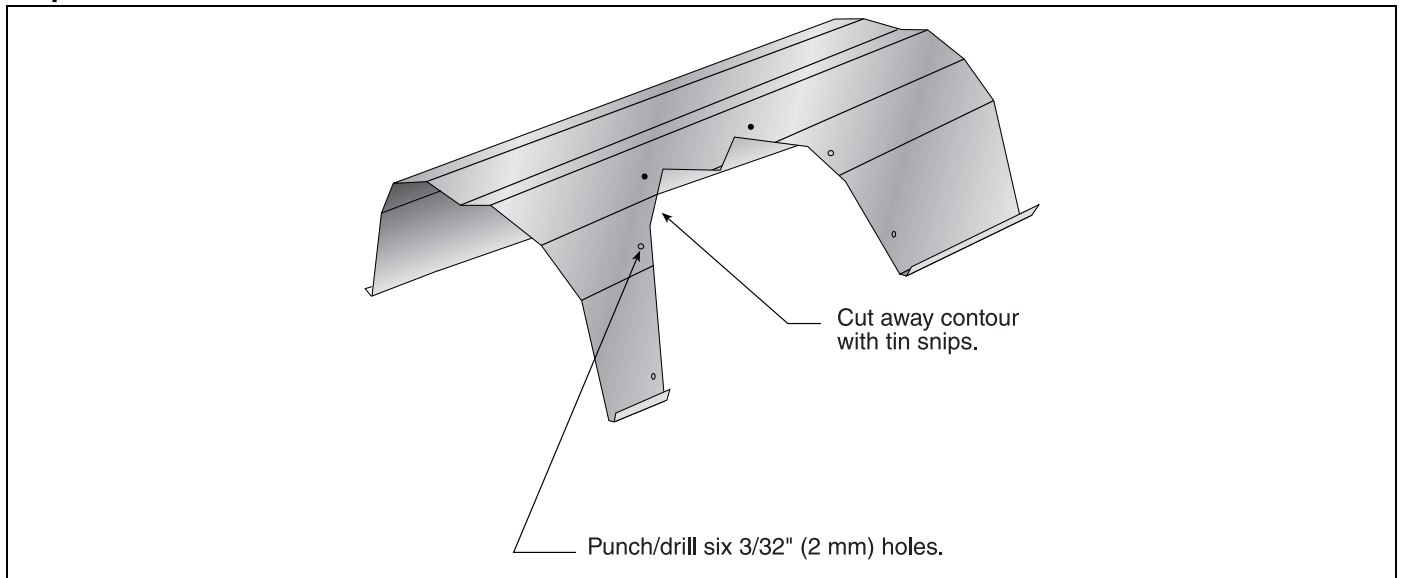
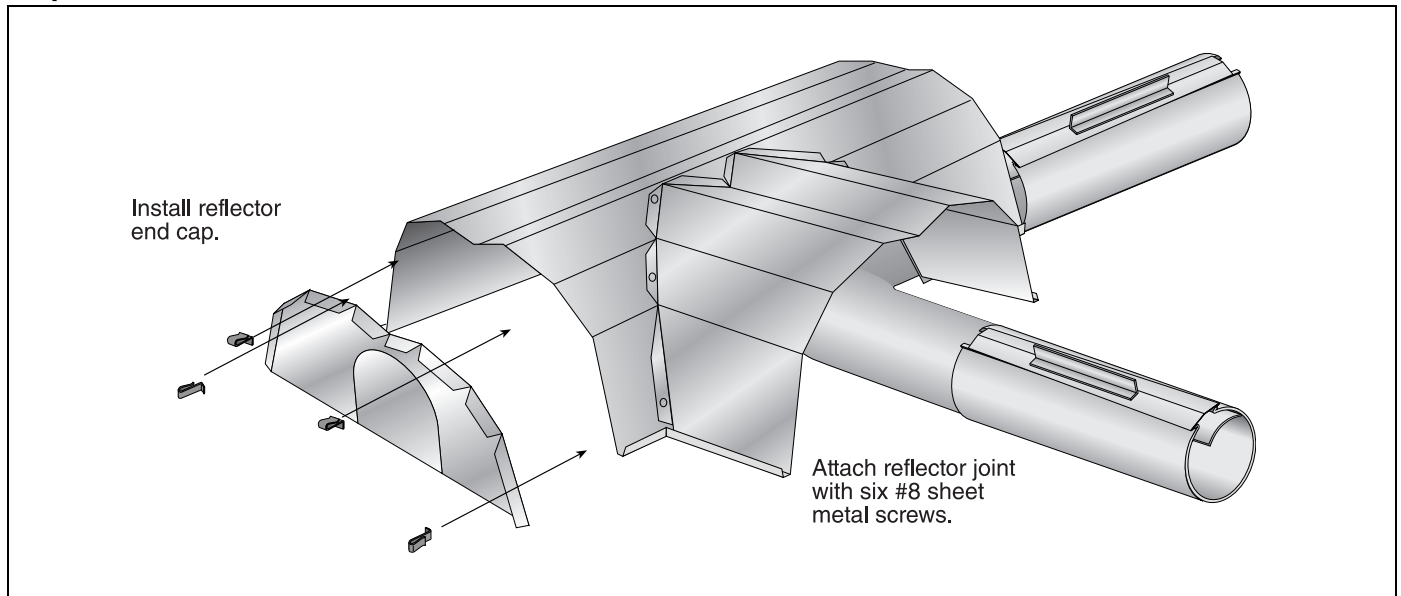
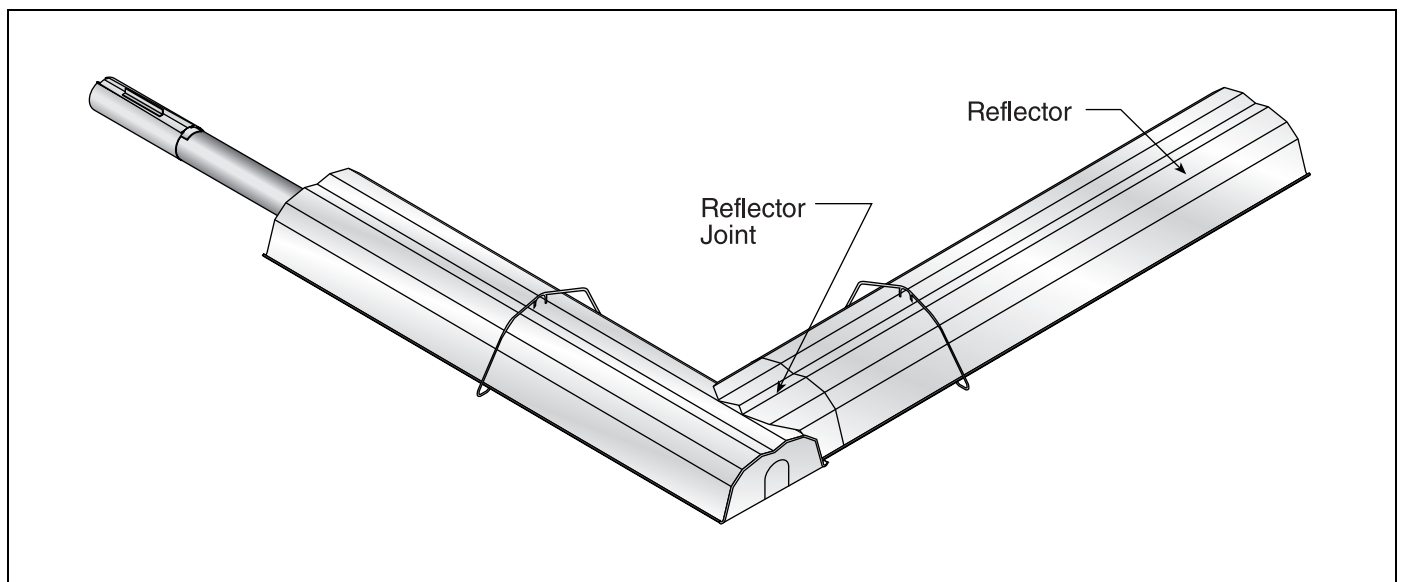
Minimum Distance Required Between Burner and Elbow	
Model	Minimum Distance
HEV-40	N/A
HEV-60	10' (3 m)
HEV-80	10' (3 m)
HEV-100	15' (4.5 m)
HEV-125	15' (4.5 m)
HEV-150	15' (4.5 m)
HEV-175	15' (4.5 m)

### Step 7.2.2 Elbow Installation



### Step 7.2.3 Reflector Joint Installation

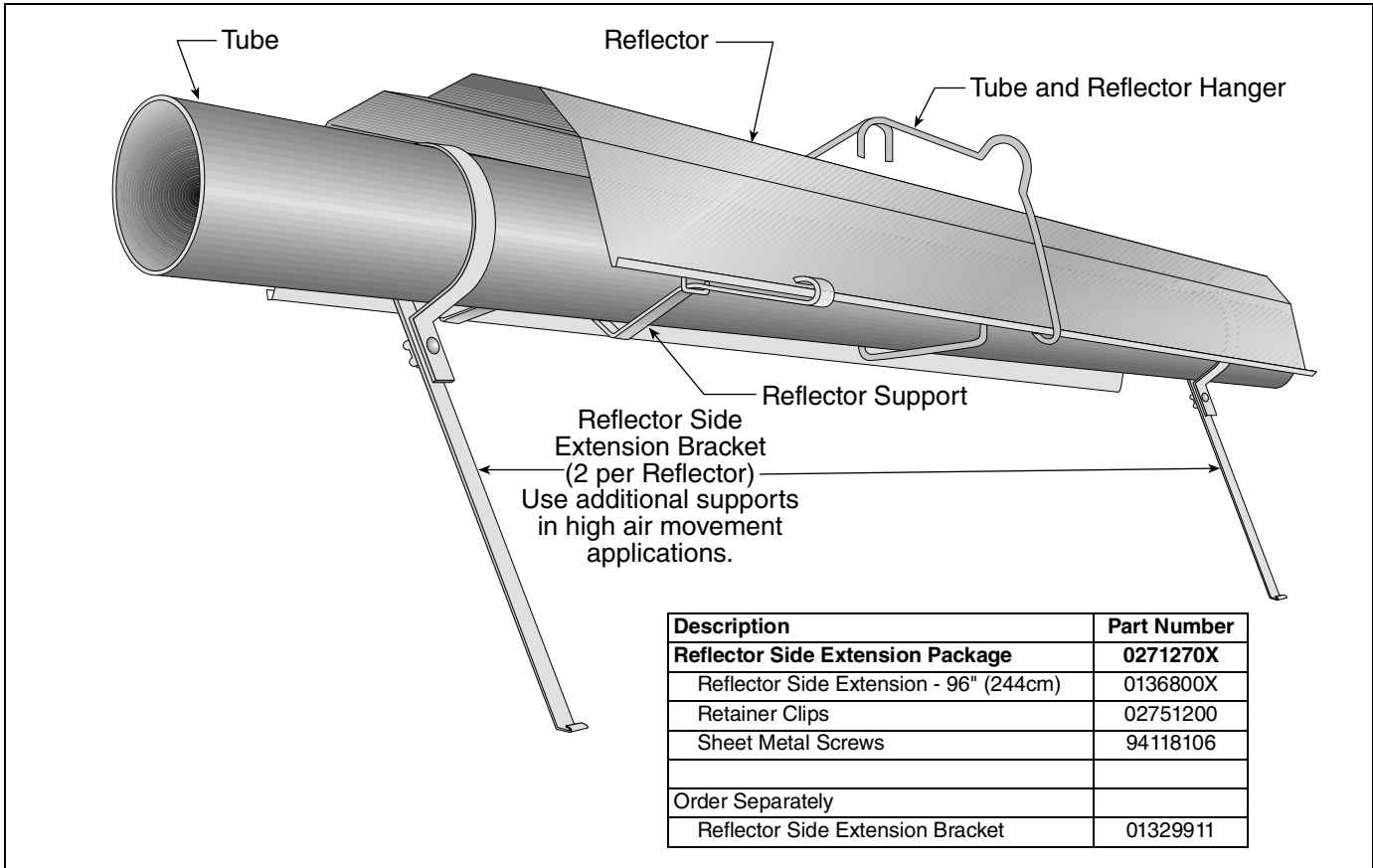


**Step 7.2.4 Reflector Joint Installation****Step 7.2.5 Reflector Joint Detail****FIGURE 31: Reflector Joint Detail**

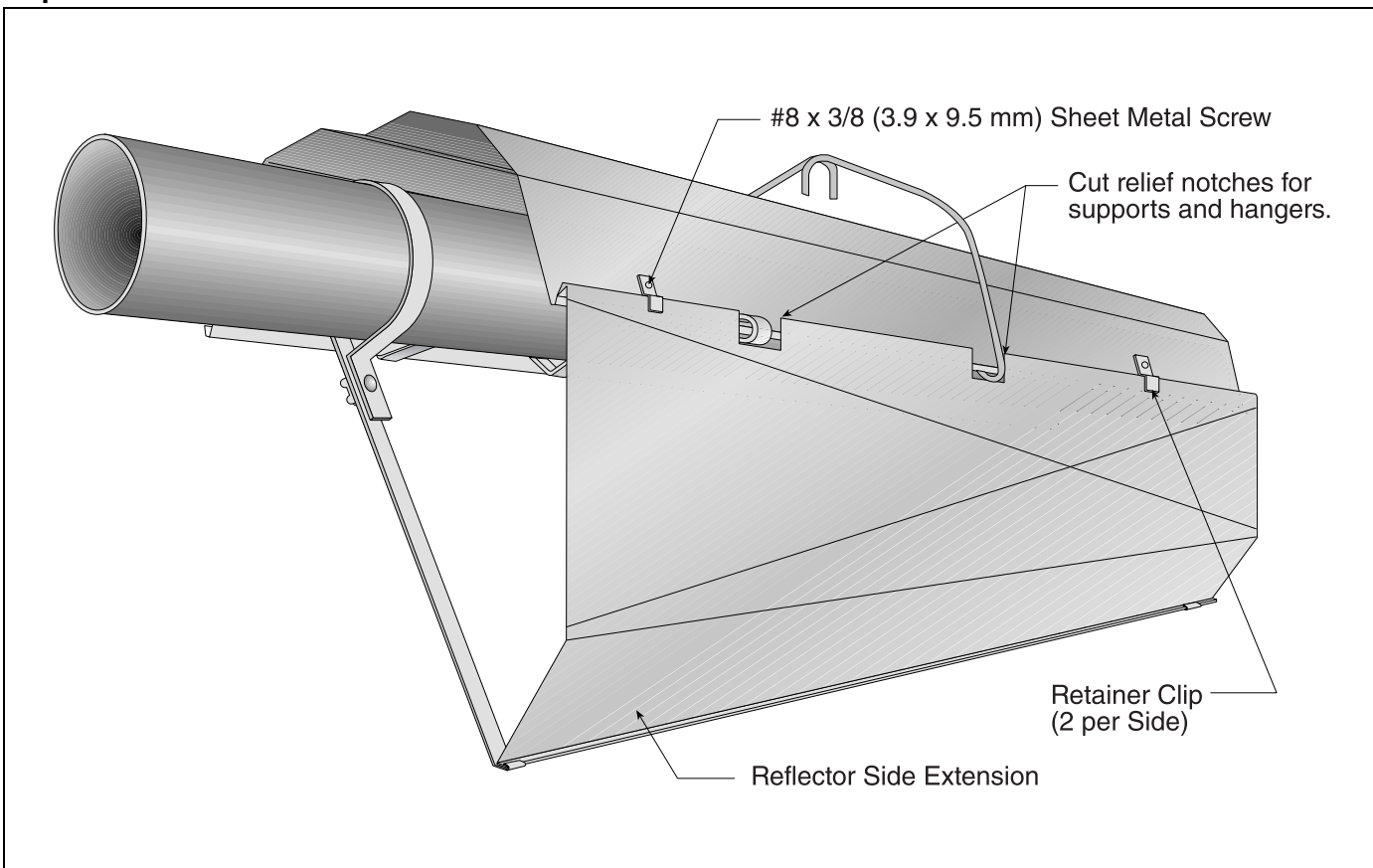


### 7.3 Reflector Side Extension (Not for outdoor use or areas exposed to wind)

#### Step 7.3.1 Bracket Installation

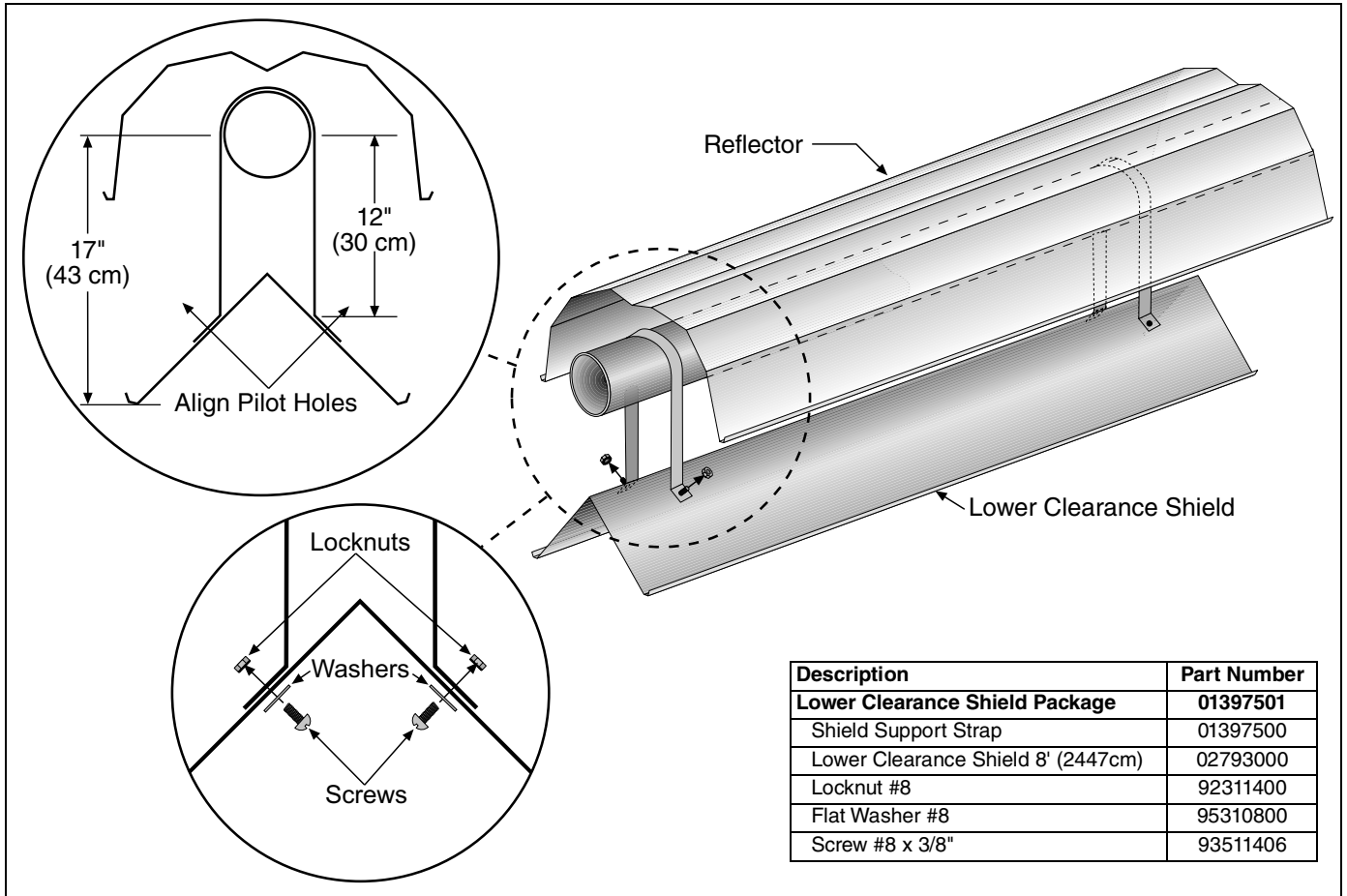


#### Step 7.3.2 Side Reflector Installation



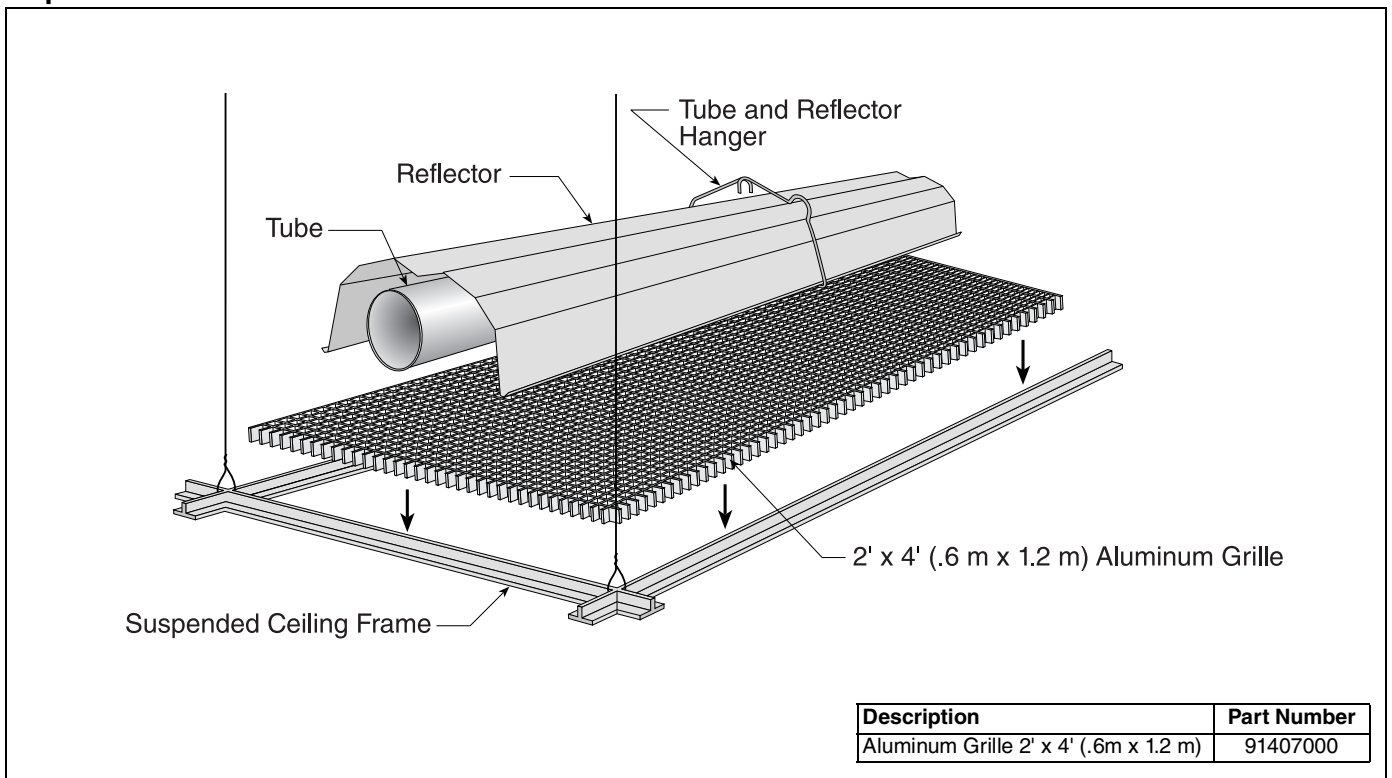
## 7.4 Lower Clearance Shield Installation

### Step 7.4.1 Shield Support Strap Assembly

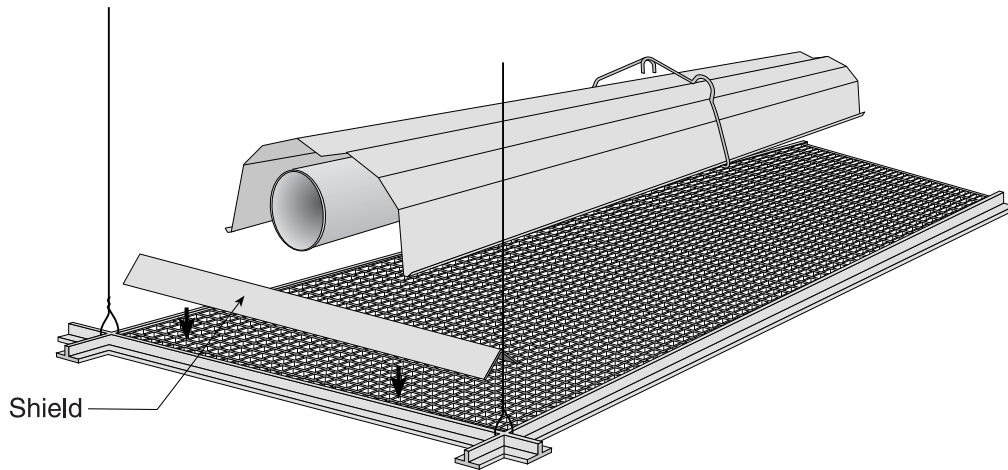


## 7.5 Two-Foot Decorative Grille Installation

### Step 7.5.1 Grille Installation



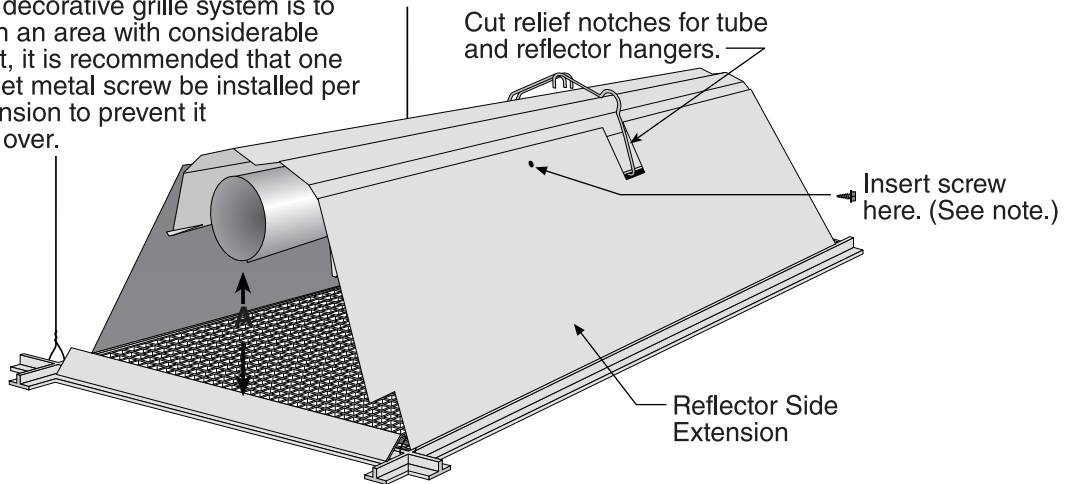
### Step 7.5.2 Frame Shield Installation



Description	Part Number
Deco Grille Shield - 24" (61 cm)	01365900

### Step 7.5.3 Reflector Side Extension Installation for Decorative Grilles

**NOTE:** If the decorative grille system is to be installed in an area with considerable air movement, it is recommended that one #8 x 3/8" sheet metal screw be installed per reflector extension to prevent it from blowing over.

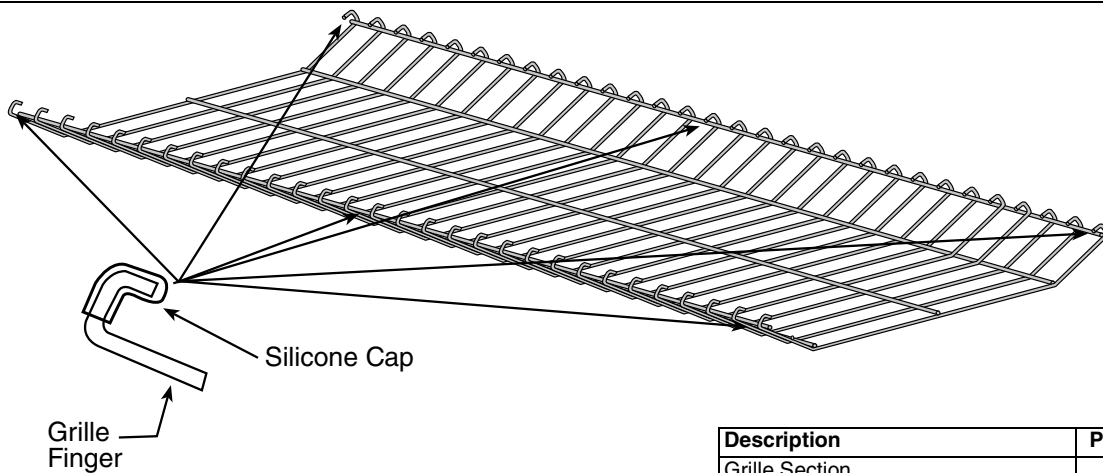


Distance "A"		Extension	
Minimum	Maximum	Part No.	Width
2" (4 cm)	6" (15 cm)	013704XX	8" (20 cm)
6" (15 cm)	10" (26 cm)	013704XX	12" (30 cm)
10" (26 cm)	14" (37 cm)	013704XX	16" (40 cm)

Description	Part Number
Reflector Side Extension	013704XX

## 7.6 Protective Grille Installation

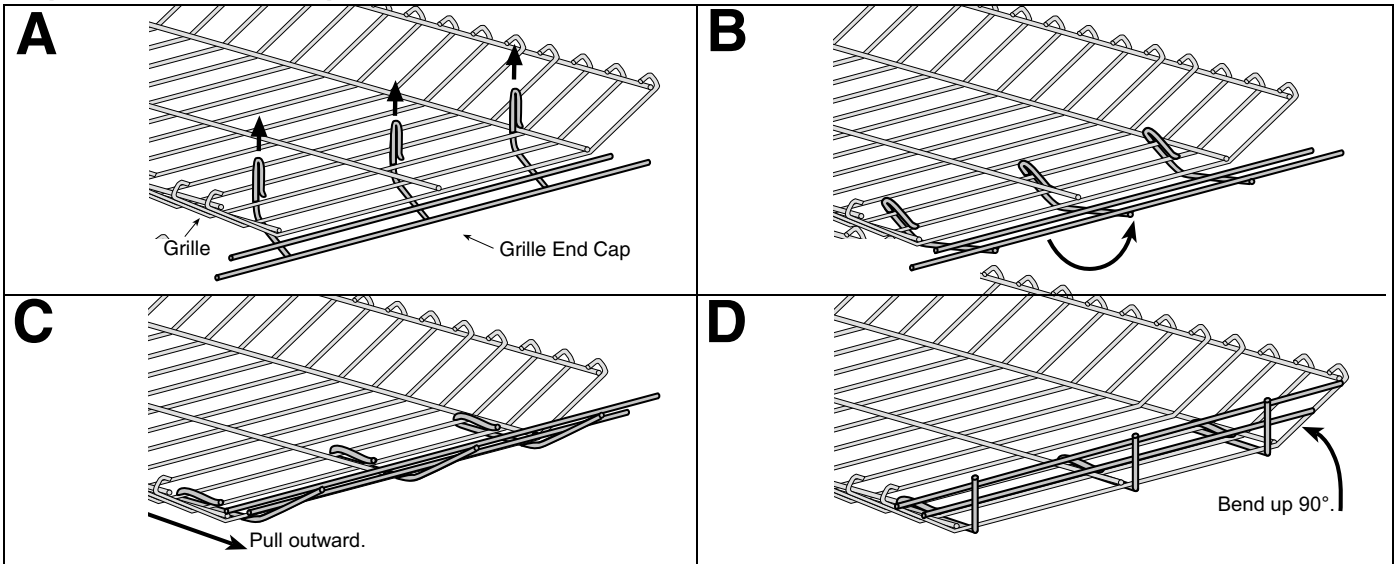
### Step 7.6.1 Silicone Cap Installation



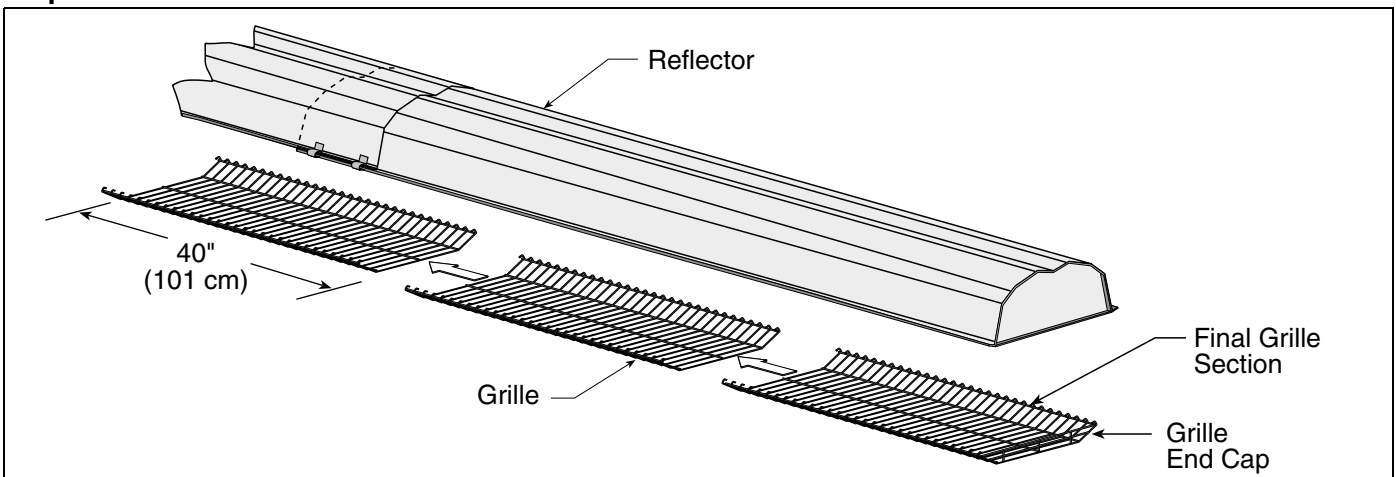
**NOTE:** Protective Grille NOT APPROVED for use with 45° tilted reflectors.

Description	Part Number
Grille Section	08050001
Grille End Cap	08050002
Grille Section - EF Reflector	08050003
Grille End Cap - EF Reflector	08050004
Silicone Cap	91915951-6P


### Step 7.6.2 Grille End Cap Installation



### Step 7.6.3 Grille Installation



**SECTION 8: VENTING**

<b>⚠ WARNING</b>

<b>Carbon Monoxide Hazard</b>
<b>Heaters installed unvented must be interlocked with sufficient building exhaust.</b>
<b>Heaters must be installed according to the installation manual.</b>
<b>Failure to follow these instructions can result in death or injury.</b>

<b>⚠ WARNING</b>

<b>Cut/Pinch Hazard</b>
<b>Wear protective gear during installation, operation and service.</b>
<b>Edges are sharp.</b>
<b>Failure to follow these instructions can result in injury.</b>

**8.1 Venting**

This heater is considered a Category I or Category III vented appliance. The Serial plate on the heater will indicate vent Category and this manual will describe the installation requirements for each vent Category.

This heater must be vented in accordance with the rules contained in this manual and with the following national codes and any state, provincial or local codes which may apply:

**United States:** Refer to National Fuel Gas Code NFPA 54/ANSI Z223.1 - latest revision.

**Canada:** Refer to Natural Gas and Propane Installation Code CSA B149.1 - latest revision.

Exhaust end of heater will accept a 4" (10 cm) vent

pipe using the vent adapter (P/N 90502701). To prevent leakage of condensation, install the vent adapter with the seam on top and seal the joint using a high temperature silicone sealant.

Maintain a minimum of 6" (15 cm) clearance around all single wall flue pipe.

Any portion of vent pipe passing through a combustible wall must have an approved thimble to conform with the above listed codes.

Vent pipe must be sloped downward away from the heater 1/2" (1 cm) for every 20' (6 m).

The heater may be individually vented or common vented. When venting horizontally, a maximum of two heaters can be commonly vented. See *Page 52, Section 8.14*. When venting vertically, a maximum of four heaters can be commonly vented. See *Page 57, Section 9*.

The heater may also be installed unvented in certain circumstances according to building ventilation codes. Refer to the above codes and *Page 45, Section 8.2* for further information. Unvented operation also requires compliance with the clearances to combustibles given on *Page 5, Figure 4*.

The bottom of the vent or air intake terminal shall not be located less than 1' (0.3 m) above grade level.

The vent shall not terminate less than 7' (2.1 m) above grade where located adjacent to public walkways.

Vent terminal must be installed at a height sufficient to prevent blockage by snow, and building materials protected from degradation by flue gases.

Secure all joints with #8 x 3/8 sheet metal screws. Seal all joints with high temperature silicone sealant.

Vent terminal must be beyond any combustible overhang.

**8.1.1 United States Requirements**

Vent must terminate at least 3' (0.9 m) above any forced air inlet located within 10' (3.1 m).

Vent must terminate at least 4' (1.2 m) below, 4' (1.2 m) horizontally from, or 1' (0.3 m) above any door, operable window, or gravity air inlet into any building.

### Canadian Requirements

The vent shall not terminate within 6' (1.8 m) of a mechanical air supply inlet to any building.

The vent shall not terminate within 3' (0.9 m) of a window or door that can be opened in any building, any non-mechanical air supply inlet to any building, or of the combustion air inlet of any other appliance.

#### 8.1.2 Vent Category Definitions

Radiant tube heaters are divided into four categories based on the static pressure produced in the vent and the percentage flue loss.

**Category I** – a radiant tube heater that operates with a non-positive vent static pressure and with a vent gas temperature that avoids excessive condensate production in the vent

**Category II** – a radiant tube heater that operates with a non-positive vent static pressure and with a vent gas temperature that can cause excessive condensate production in the vent

**Category III** - a radiant tube heater that operates with a positive vent static pressure and with a vent gas temperature that avoids excessive condensate production in the vent

**Category IV** - a radiant tube heater that operates with a positive vent static pressure and with a vent gas temperature that can cause excessive condensate production in the vent

This heater is considered a Category I or Category III vented appliance. The Serial plate on the heater will indicate vent Category and this manual will describe the installation requirements for each vent Category.

#### 8.2 Unvented Operation

Sufficient ventilation must be provided in the amount of 4 cfm per 1000 Btu/h firing rate (United States); 3 cfm per 1000 Btu/h firing rate (Canada).

Use of optional outside combustion air is not recommended with unvented heaters.

If exhaust fans are used to supply ventilation air, an interlock switch must be used to prevent the heater from coming on when the fans are off. This may be done using a pressure switch.

#### 8.3 Horizontal Venting (Category III)

All horizontal venting configurations for this product

are considered Category III.

In noncombustible walls only, vent terminal (P/N 02537801-1P) may be used.

For 4" (10 cm) vents in either combustible or noncombustible walls, use Tjernlund VH1-4 (P/N 90502100) or equivalent, insulated vent terminal. Follow the manufacturer's instructions for proper installation.

For 6" (15 cm) common vents in either combustible or noncombustible walls, use Tjernlund VH1-6 (P/N 90502101) or equivalent, insulated vent terminal.

Approved venting material for horizontal venting (Category III) must be single-wall corrosion resistant with a thickness of no less than 26 gauge. It is required that all vent pipes and connectors be fastened together with sheet metal screws and sealed with high temperature silicone sealant approved for at least 550 °F (288 °C) (supplied by others). The installer must perform a leak test on the complete venting system. A solution of soap and water should be used to test the venting system.

A continuous section of type B-vent may only be used to pass through the outside wall or outside of the building. Horizontal venting (Category III) does not allow the use of type B-vent inside of the space.

Follow the vent material manufacturer's instructions for proper installation.

#### 8.4 Vertical Venting (Category III)

For 4" (10 cm) common or single heater vent, an approved vent cap (P/N 90502300) must be used.

For 6" (15 cm) common vent, an approved vent cap (P/N 90502302) must be used.

Approved venting material for vertical venting (Category III) must be single-wall corrosion resistant with a thickness of no less than 26 gauge. It is required that all vent pipes and connectors be fastened together with sheet metal screws and sealed with high temperature silicone sealant approved for at least 550 °F (288 °C) (supplied by others). The installer must perform a leak test on the complete venting system. A solution of soap and water should be used to test the venting system.

A continuous section of type B-vent may only be used to pass through the roof or outside of the building. Vertical venting (Category III) does not

allow the use of type B-vent inside of the space.

For common vertical venting of more than two heaters, *See Page 57, Section 9.*

A vent shall not extend less than 2' (0.6m) above the highest point where it passes through a flat roof of a building.

**Note:** Vertical venting will be classified as a Category III if the length of the horizontal portion of the vent pipe is greater than 75% of the vertical portion of the vent pipe. (Example: If vertical vent section of the vent is 10' (3 m) long, the horizontal section of the vent is greater than 7' 6" (2.3 m) long.)

### 8.5 Vertical Venting (Category I) 4" (10 cm) Pipe

For Category I vertical venting guidance, refer to the National Fuel Gas Code (ANSI Z 223.1 , NFPA 54) in the USA and CSA B149.1 code in Canada. Some rules that are applicable are listed below:

- A category I vent system is not required to be "gas tight" as the pressure inside the vertical vent system is a negative pressure.
- Type B vent material is acceptable for use in the vertical venting configuration (*See Page 51, Figure 8.13*).
- The length of the horizontal portion of the vent pipe must be less than 75% of the vertical portion of the vent pipe. (Example: If vertical vent section of the vent is 10' (3 m) long, the horizontal section of the vent must not exceed 7' 6" (2.3 m) long.)
- Horizontal portion of the vent pipe can be double wall vent type-B or single-wall pipe type-C and have an upward slope from the heater of at least 1/4" (.632 cm) per foot. When using type B-vent on horizontal section, use B to C adapter (supplied by others) and attach to end of heater tube in place of supplied vent adapter.
- The vertical vent must terminate at least 5 ft (1.5 m) above the vent connection to the unit.

**Note:** Horizontal Venting (Category I) is not a possible configuration with this product.  
Common vertical venting (Category I) is not a possible configuration with this product.

### 8.6 Venting Category Designation by Model

Model	Single Heater Horizontal Venting Category	Single Heater Vertical Venting Category*	Common Venting Category (for both Vertical and Horizontal)
HEV-40	III	I	III
HEV-60	III	I	III
HEV-80	III	III	III
HEV-100	III	III	III
HEV-125	III	III	III
HEV-150	III	III	III
HEV-175	III	III	III

\* Vertical venting will be classified as a Category III if the length of the horizontal portion of vent pipe is greater than 75% of the vertical portion of vent pipe. (Example: If vertical vent section of vent is 10' (3 m) long, the horizontal section of vent is greater than 7' 6" (2.3 m) long.)

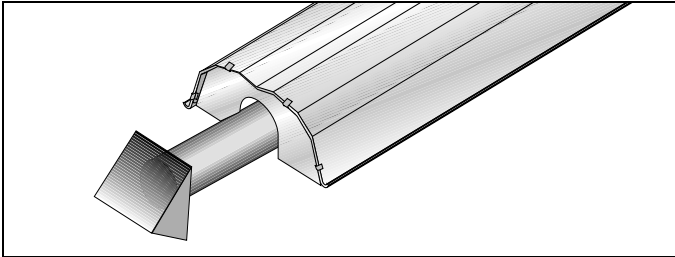


### 8.7 Unvented Operation Tube Termination

Turndown type vent terminal with a screen must be installed at the exhaust end of the tube. Vent terminal design shall not incorporate backdraft flap.

tubing (P/N 91409408), and 6" (15 cm) O.D. Heat treated aluminized tubing (P/N E0009105) are equivalent to single wall corrosion resistant flue pipe.

**FIGURE 32: Tube Termination**



### 8.8 Length Requirements

Minimum vent length allowed is 2' (.6 m). Maximum vent length allowed is 45' (13.7 m). Maximum outside air supply duct length allowed is 45' (13.7 m).

The total vent length, plus outside air duct length, plus any extensions to minimum heat exchanger lengths, cannot exceed 65' (19.8 m).

Vent length should be limited to less than 20' (6 m). If using vent lengths greater than 20' (6 m), condensation will form in the vent pipe. Insulation and additional sealing measures (high temperature silicone at all seams) are required. Optional heat exchanger beyond minimum lengths is considered as vent length for length determination.

Subtract 15' (4.6 m) of maximum allowed vent or duct length per vent elbow if more than two are used.

### 8.9 Vent Material Recommendations

Vent recommendations:

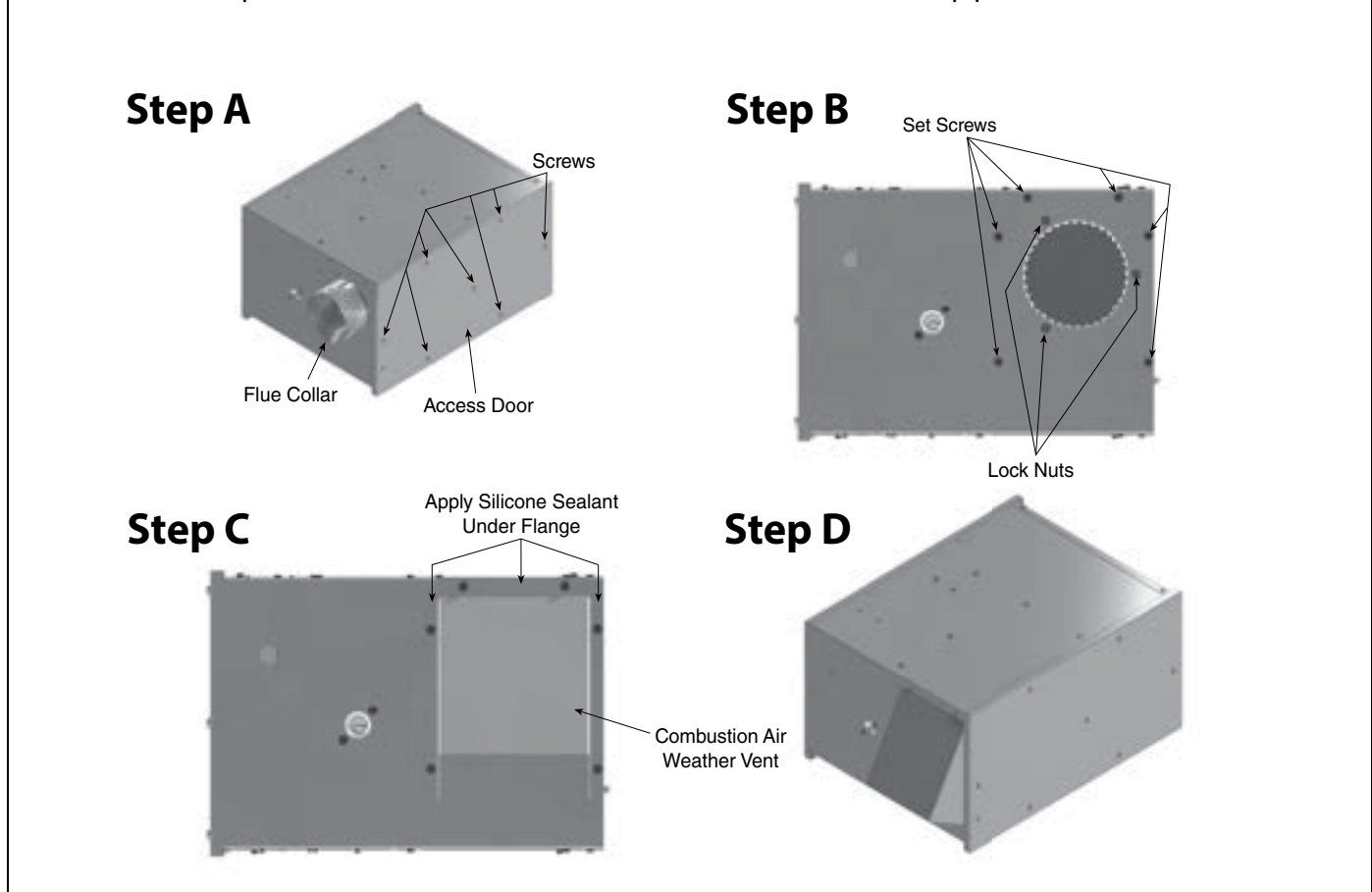
1. Porcelain coated tubing 4" (10 cm) O.D. (P/N 9141030D)
2. Heat treated aluminized tubing 4" (10 cm) O.D. (P/N 91409408)  
Heat treated aluminized tubing 6" (15 cm) O.D. (P/N E0009105)
3. Single wall pipe (Type-C) that is corrosion resistant galvanized steel - minimum 26 ga. (Supplied by others)
4. Double wall vent (Type-B). For Category I venting only or used as a continuous section passing through the outside wall, roof or outside of the building.

**NOTE:** 4" (10 cm) O.D. Porcelain coated tubing (P/N 914030D), 4" (10 cm) O.D. Heat treated aluminized



**FIGURE 33: Combustion Air Weather Vent (P/N 03700009)**

To be installed in place of flue collar for installations without fresh air vent pipe.



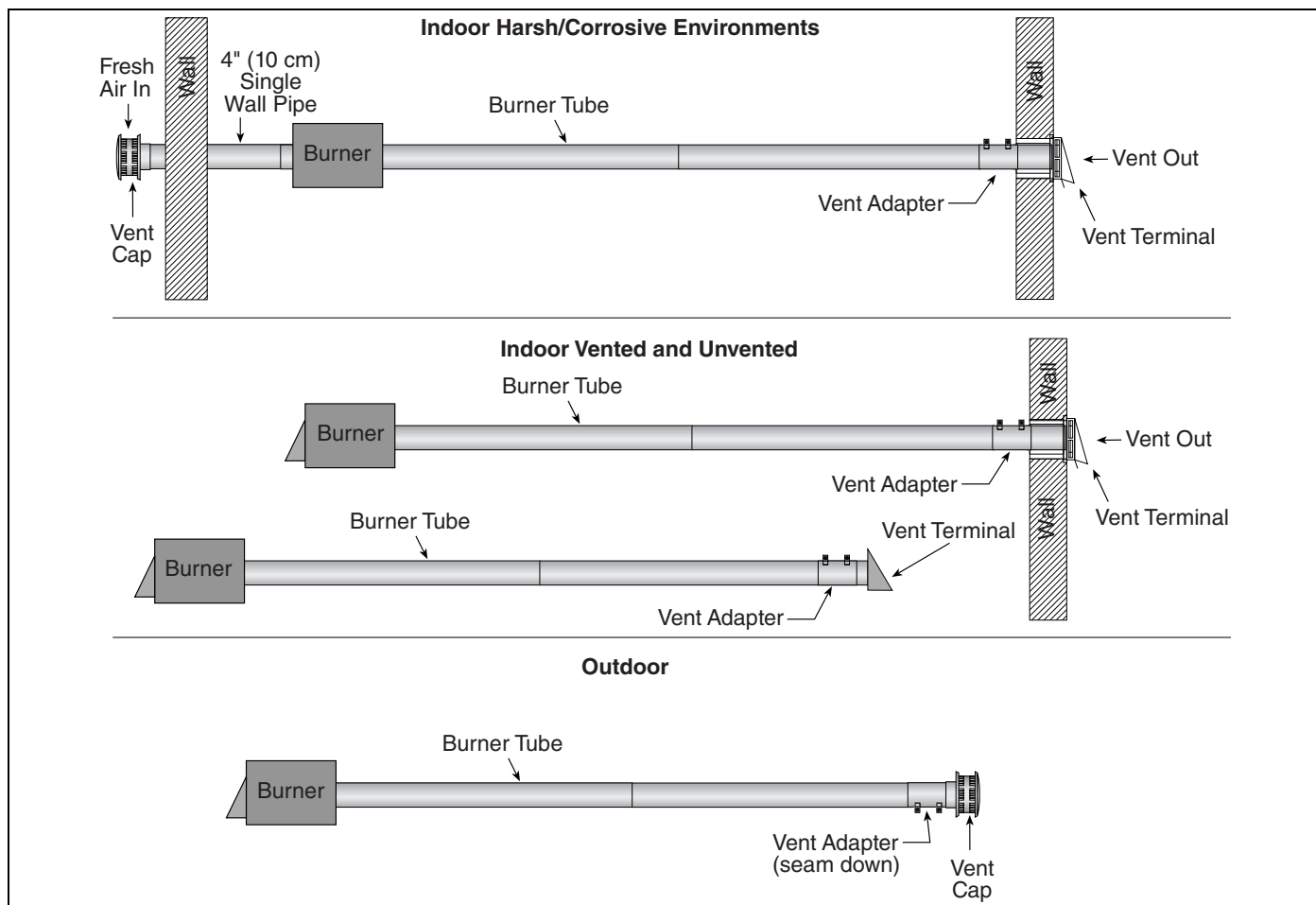
**Step A:** Remove blower side access door from burner by unscrewing the 7 screws as shown. Carefully remove door to gain access to combustion blower.

**Step B:** Unscrew 3 lock nuts along with 6 set screws from rear of unit as shown. Pull combustion blower from burner and remove flue collar. While keeping blower gasket and bird screen in place, replace combustion blower and tighten locknuts previously removed in step A.

**Step C:** Apply silicone sealant around Combustion Air Weather Vent flange. Carefully align 6 pre-drilled holes on weather vent flange to 6 holes on burner. Tighten 6 set screws previously removed in step 2 to secure weather vent to burner.

**Step D:** Reinstall access door and tighten screws.

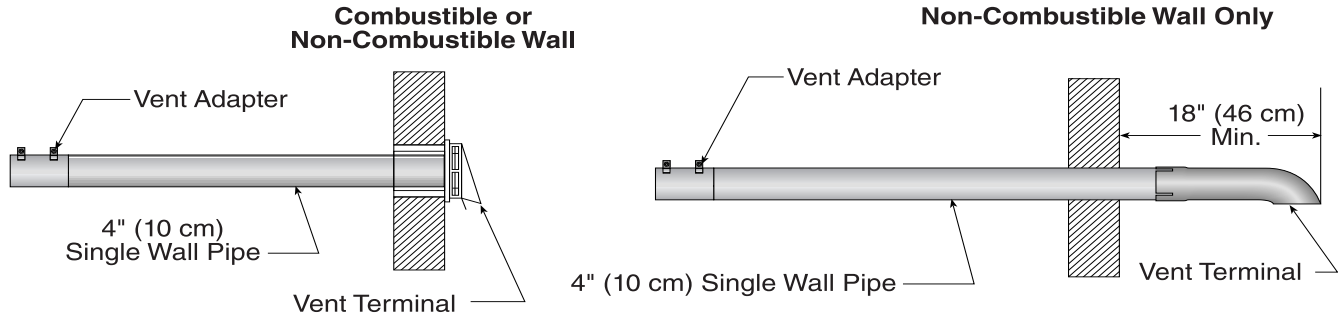
## 8.10 Venting Options



### 8.11 Horizontal Venting (Category III) 4" (10 cm) Pipe

**Note:** A continuous section of type B-vent may only be used to pass through the outside wall or outside of the building. Horizontal venting (Category III) does not allow the use of type B-vent inside of the space.

SIDE VIEW

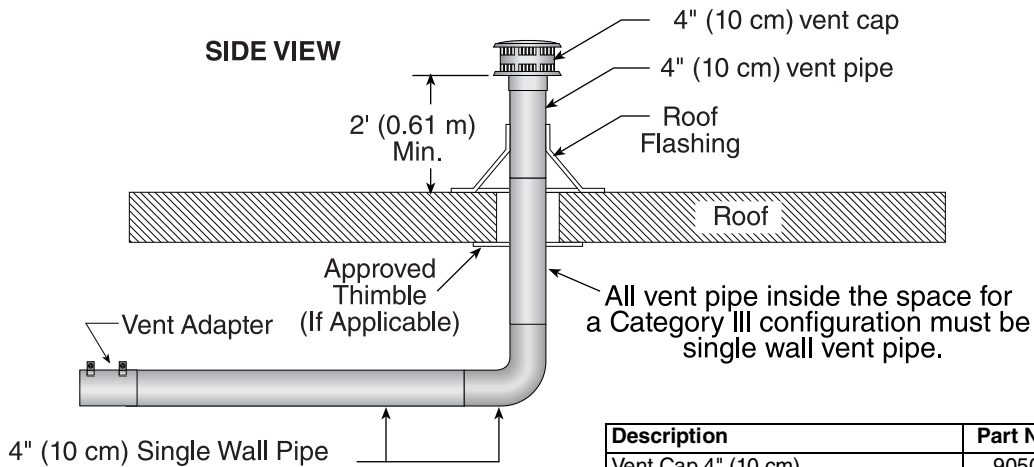


Description	Part Number
Vent Terminal (Comb. Wall)	90502100
Vent Terminal	02537801-XX

### 8.12 Vertical Venting (Category III) 4" (10 cm) Pipe

**Note:** A continuous section of type B-vent may only be used to pass through the roof or outside of the building. Vertical venting (Category III) does not allow the use of type B-vent inside of the space.

SIDE VIEW



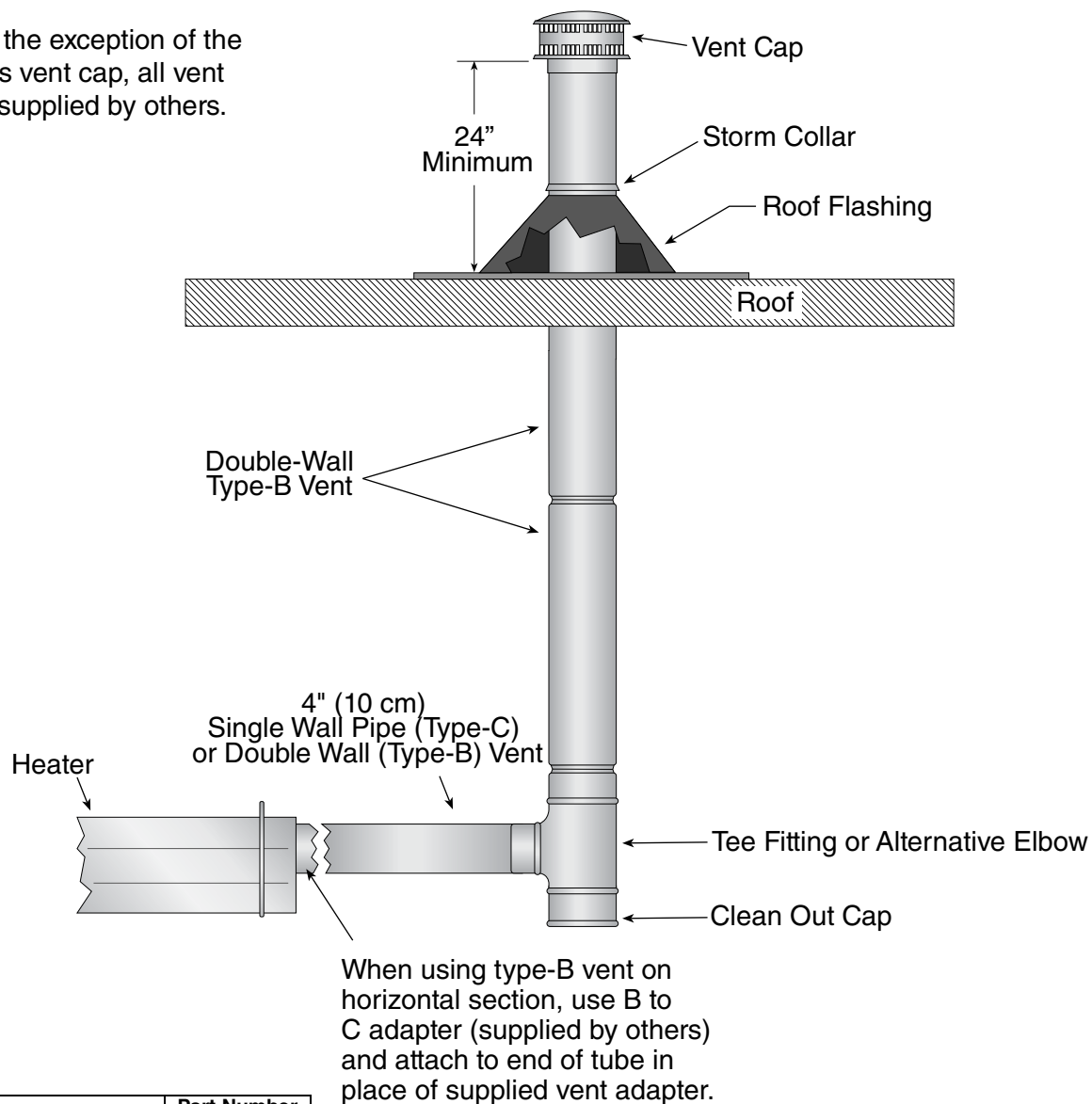
Description	Part Number
Vent Cap 4" (10 cm)	90502300

**NOTE:**

It is required that all vent pipes and connectors be fastened together with sheet metal screws and sealed with high temperature silicone sealant approved for at least 550 °F (288 °C) (supplied by others). The installer must perform a leak test on the complete venting system. A solution of soap and water should be used to test the venting system.

### 8.13 Vertical Venting (Category I) 4" (10 cm) Pipe

**Note:** With the exception of the Metalbestos vent cap, all vent material is supplied by others.

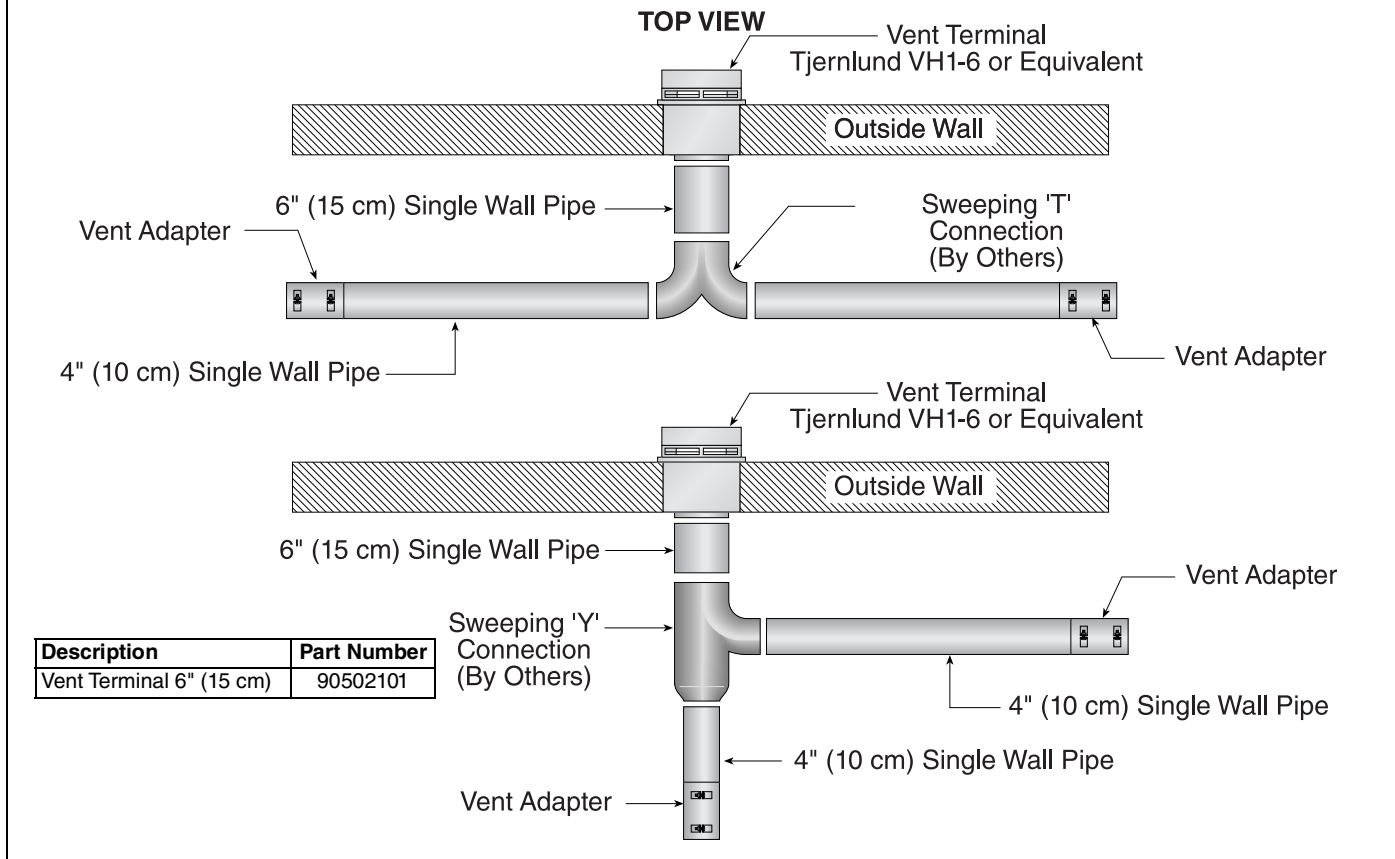


Description	Part Number
Vent Cap, Metalbestos - 4" (10 cm)	90502300

**NOTE:** It is not required for the contractor to perform a leak test for vertical venting (Category I) configurations.

### 8.14 Common Side Wall Horizontal Venting (Category III)

**Note:** A continuous section of type B-vent may only be used to pass through the outside wall or outside of the building. Horizontal venting (Category III) does not allow the use of type B-vent inside of the space.



**Requirements:**

- Maximum of two heaters can be commonly vented through a side wall.
- Heaters must be of the same BTU output.
- Heaters must be controlled by a common thermostat.

**NOTE:**

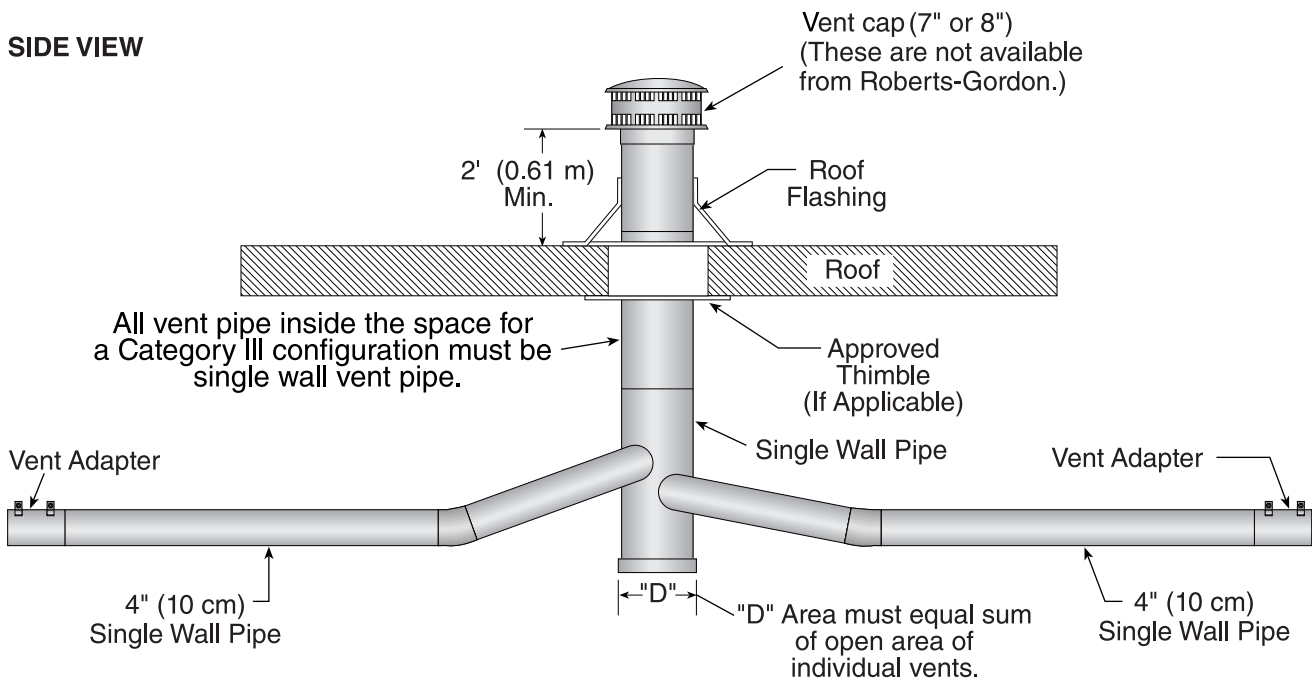
It is required that all vent pipes and connectors be fastened together with sheet metal screws and sealed with high temperature silicone sealant approved for at least 550 °F (288 °C) (supplied by others).

The installer must perform a leak test on the complete venting system. A solution of soap and water should be used to test the venting system.

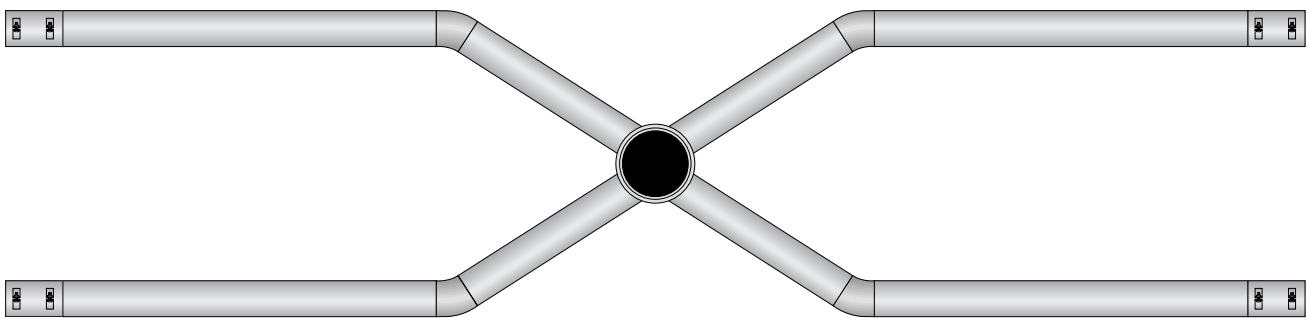
### 8.15 Common Vertical Venting (Category III)

**Note:** A continuous section of type B-vent may only be used to pass through the roof or outside of the building. Vertical venting (Category III) does not allow the use of type B-vent inside of the space.

#### SIDE VIEW



#### TOP VIEW



#### Requirements:

- Maximum of four heaters can be commonly vented through the roof.
- Heaters must be of the same BTU output.
- Heaters must be controlled by a common thermostat.
- Connections to a common stack must be positioned to avoid direct opposition between streams of combustion gases.

#### NOTE:

It is required that all vent pipes and connectors be fastened together with sheet metal screws and sealed with high temperature silicone sealant approved for at least 550 °F (288 °C) (supplied by others).

The installer must perform a leak test on the complete venting system. A solution of soap and water should be used to test the venting system.

### 8.16 Outside Combustion Air Supply

**IMPORTANT:** If the building has a slight negative pressure or corrosive contaminants, such as halogenated hydrocarbons, are present in the air, an outside combustion air supply to the heater is required. Seal all combustion air pipe joints.

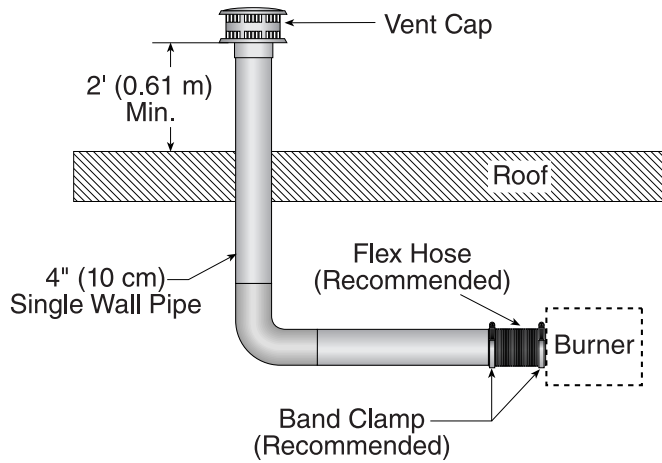
Use of optional outside combustion air is not recommended with unvented heaters.

The air supply duct may have to be insulated to prevent condensation on the outer surface. The outside air terminal must not be more than 1' (31 cm) above the vent termination while maintaining a minimum distance of 3' (93 cm) for both vertical and horizontal venting.

### 8.16.1 Length Requirements

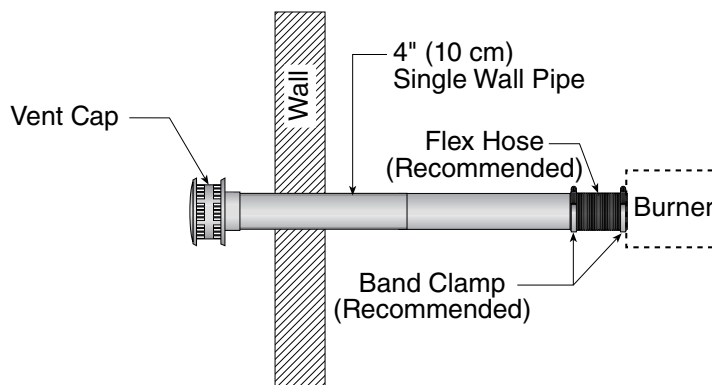
Follow the constraints listed on *Page 47, Section 8.8.*

### 8.16.2 Vertical Outside Air Supply for Single Heater Installation



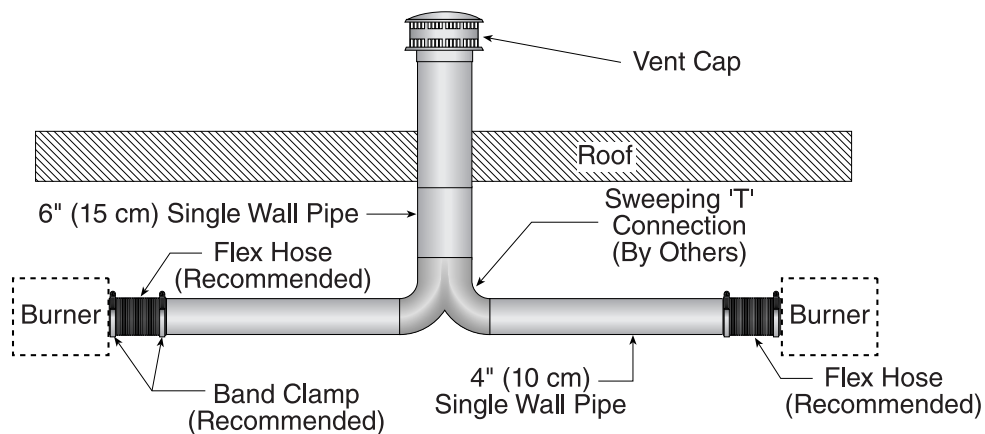
Description	Part Number
Vent Cap, Metalbestos - 4" (10 cm)	90502300

### 8.16.3 Horizontal Outside Air Supply for Single Heater Installation



Description	Part Number
Vent Cap, Metalbestos - 4" (10 cm)	90502300

### 8.16.4 Vertical Outside Air Supply for Double Heater Installation



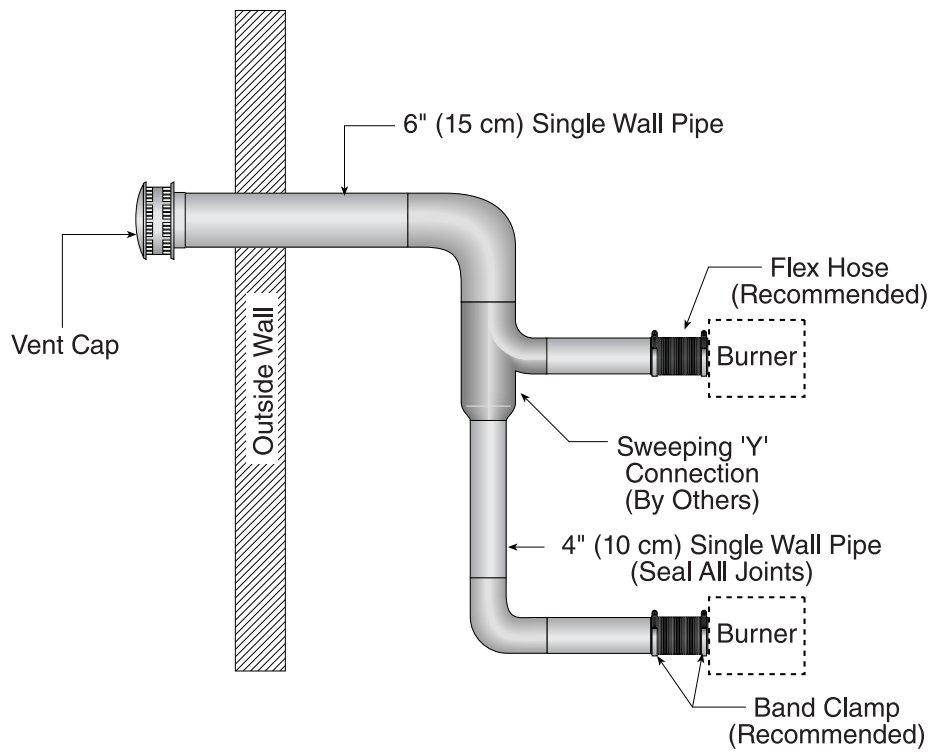
Description	Part Number
Vent Cap, Metalbestos - 6" (15 cm)	90502302

#### Requirements:

- Heaters must be controlled by a common thermostat.
- All joints must be sealed.



### 8.16.5 Horizontal Outside Air Supply for Double Heater Installation



Description	Part Number
Vent Cap, Metalbestos - 6" (15 cm)	90502302

**Requirements:**

- Heaters must be controlled by a common thermostat.
- All joints must be sealed.

## SECTION 9: GAS PIPING

**! WARNING****Fire Hazard**

**Tighten gas hose fittings to connect gas supply according to Figure 23.**

**Gas hose can crack when twisted.**

**Gas hose moves during normal operation.**

**Use only 36" (91 cm) long connector of 1/2" or 3/4" nominal ID.**

**Connector supplied with heater for U.S. models (not with Canadian models).**

**Failure to follow these instructions can result in death, injury or property damage.**

**! WARNING****Explosion Hazard**

**Leak test all components of gas piping before operation.**

**Gas can leak if piping is not installed properly.**

**Do not high pressure test gas piping with heater connected.**

**Failure to follow these instructions can result in death, injury or property damage.**

There is an expansion of the tube with each firing cycle. This will cause the burner to move with respect to the gas line. This can cause a gas leak resulting in an unsafe condition if the gas connection is not made in strict accordance with *Figure 34*.

Meter and service must be large enough to handle all the burners being installed plus any other connected load. The gas line which feeds the system must be large enough to supply the required gas with a maximum pressure drop of 1/2" wc. When gas piping is not included in the layout drawing, the local gas supplier will usually help in planning the gas piping.

Gas lines must meet applicable codes:

**United States:** The Flexible Stainless Steel Gas Hose (US models) supplied with the heater is certified per the Standard for Connectors for Gas Appliances, ANSI Z21.24/CSA 6.10 - latest revision.

**Canada:** The Rubber Type 1 Gas Hose (Canadian models) optional with the heater is certified as being in compliance with the Standard for Elastomeric Composite Hose and Hose Couplings for Conducting Propane and Natural Gas, CAN/CGA 8.1 - Latest revision.

- **Check the pipe and tubing ends for leaks before placing heating equipment into service. When checking for gas leaks, use a soap and water solution; never use an open flame.**

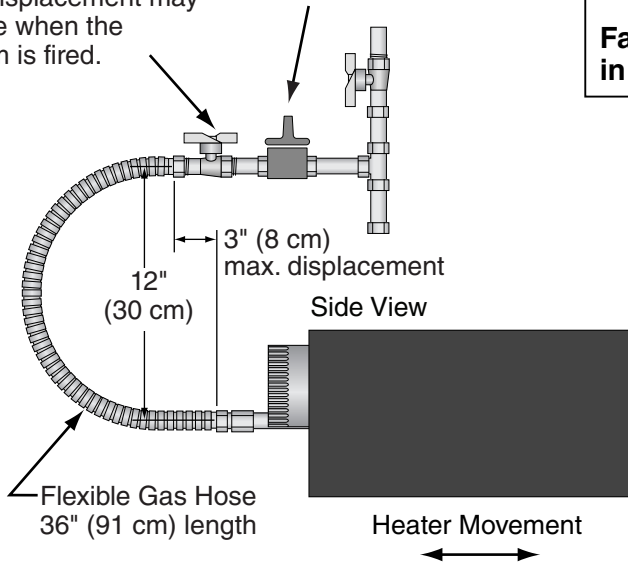
Install the gas hose as shown in *Figure 34*. The gas hose accommodates expansion of the heating system and allows for easy installation and service of the burner. Before connecting the burners to the supply system, verify that all high pressure testing of the gas piping has been completed.

**FIGURE 34: Gas Connection with Flexible Gas Hose**

**CORRECT POSITIONS**

Shut-Off Valve (included with gas hose) must be parallel to burner gas inlet. The 3" (8 cm) displacement shown is for the cold condition. This displacement may reduce when the system is fired.

High Gas Pressure Regulator to be installed upstream of flexible gas hose if inlet pressure exceeds maximum allowance.

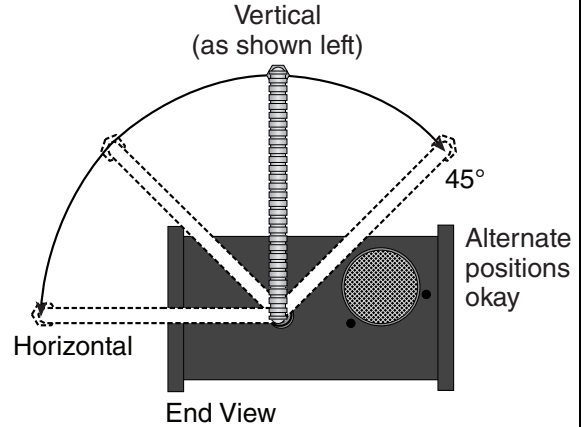


**CAUTION**

**Product Damage Hazard**

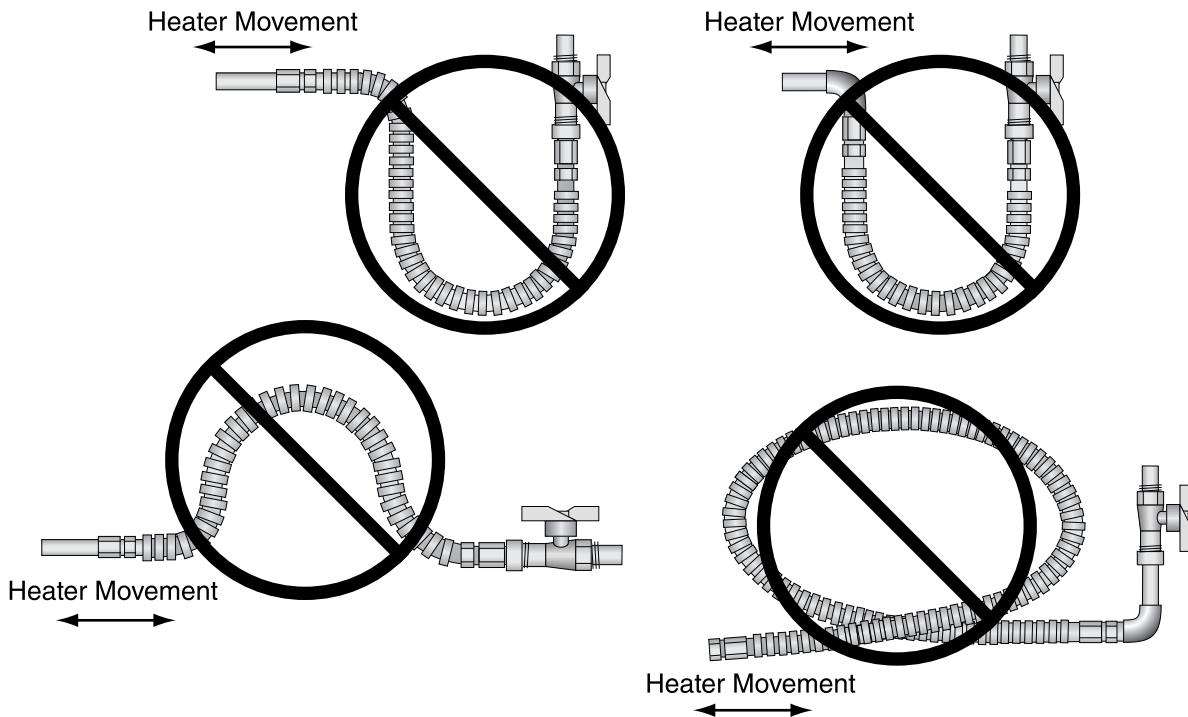
**Hold gas nipple securely with pipe wrench when attaching gas hose.**

**Failure to follow these instructions can result in product damage.**



Description	Part Number
High Pressure Regulator - 2 psi	90207600
High Pressure Regulator - 5 psi	90207601


**INCORRECT POSITIONS (WRONG INSTALLATION)**



Description	Part Number
36" Vinyl Coated Flexible Stainless Steel Gas Hose - 3/4" NPT (US Models Only)	91412204

## SECTION 10: WIRING

⚠ DANGER



Electrical Shock Hazard

**Disconnect electric before service.**

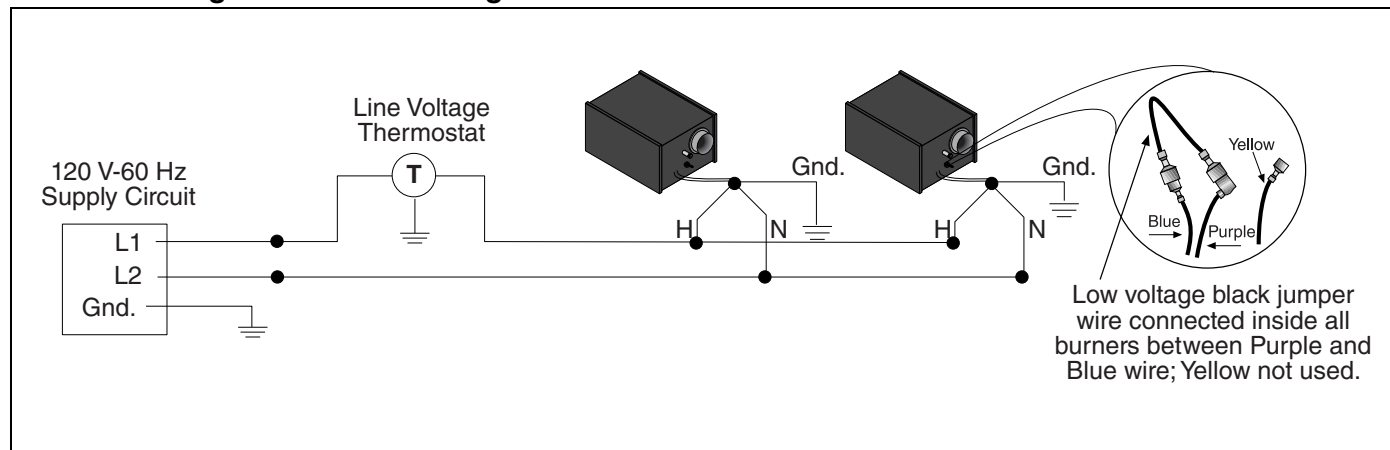
**Heater must be properly earthed.**

**Failure to follow these instructions can result in death or electrical shock.**

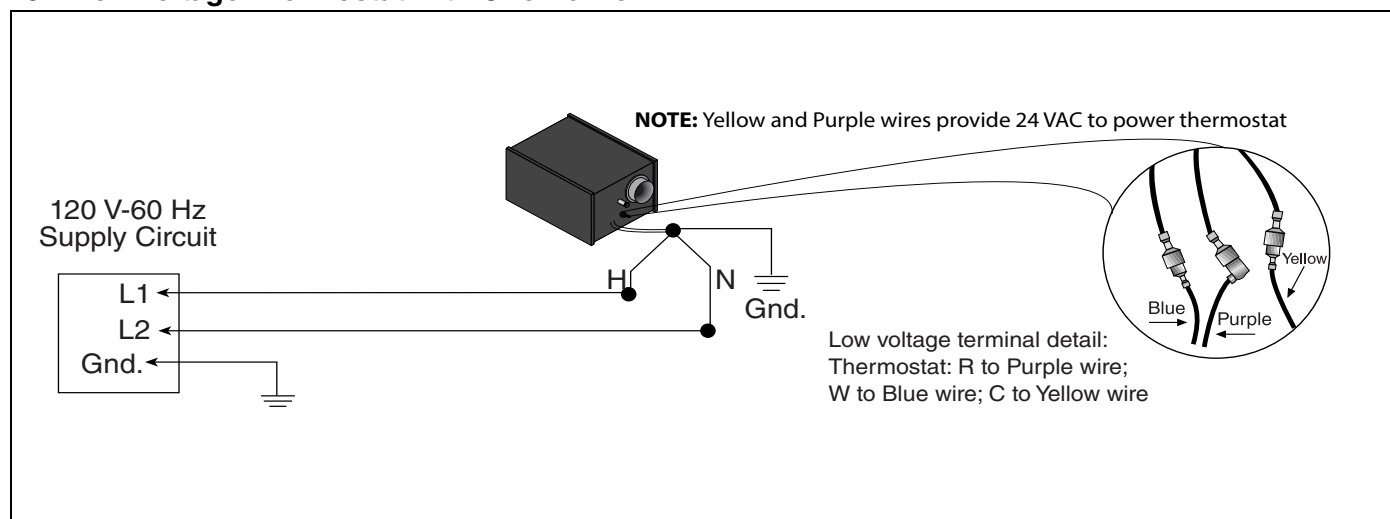
Heaters can be controlled using several methods. Normally thermostats are used to control the heaters but they can also be controlled by an Energy

Management System. *Section 10.1* below illustrates the connection for heaters controlled by a line voltage thermostat. **NOTE:** In order to use line voltage thermostats, the low voltage terminal located at the back of each burner must be connected as shown in the detail. For a single heater on a low voltage thermostat, See *Section 10.2* below. To control multiple heaters on one low voltage thermostat, See *Page 60, Section 10.3*. **NOTE:** In order to control multiple heaters on one low voltage thermostat, the low voltage terminals on each heater must be connected as shown in detail. Heater must be grounded in accordance with applicable codes: **United States:** refer to National Electrical Code® NFPA 70 - latest revision **Canada:** refer to Canadian Electrical Code, CSA C22.1 Part I - latest revision. If any of the original internal wiring must be replaced, it must be replaced with wiring materials having a temperature rating of at least 105° C and 600 V.

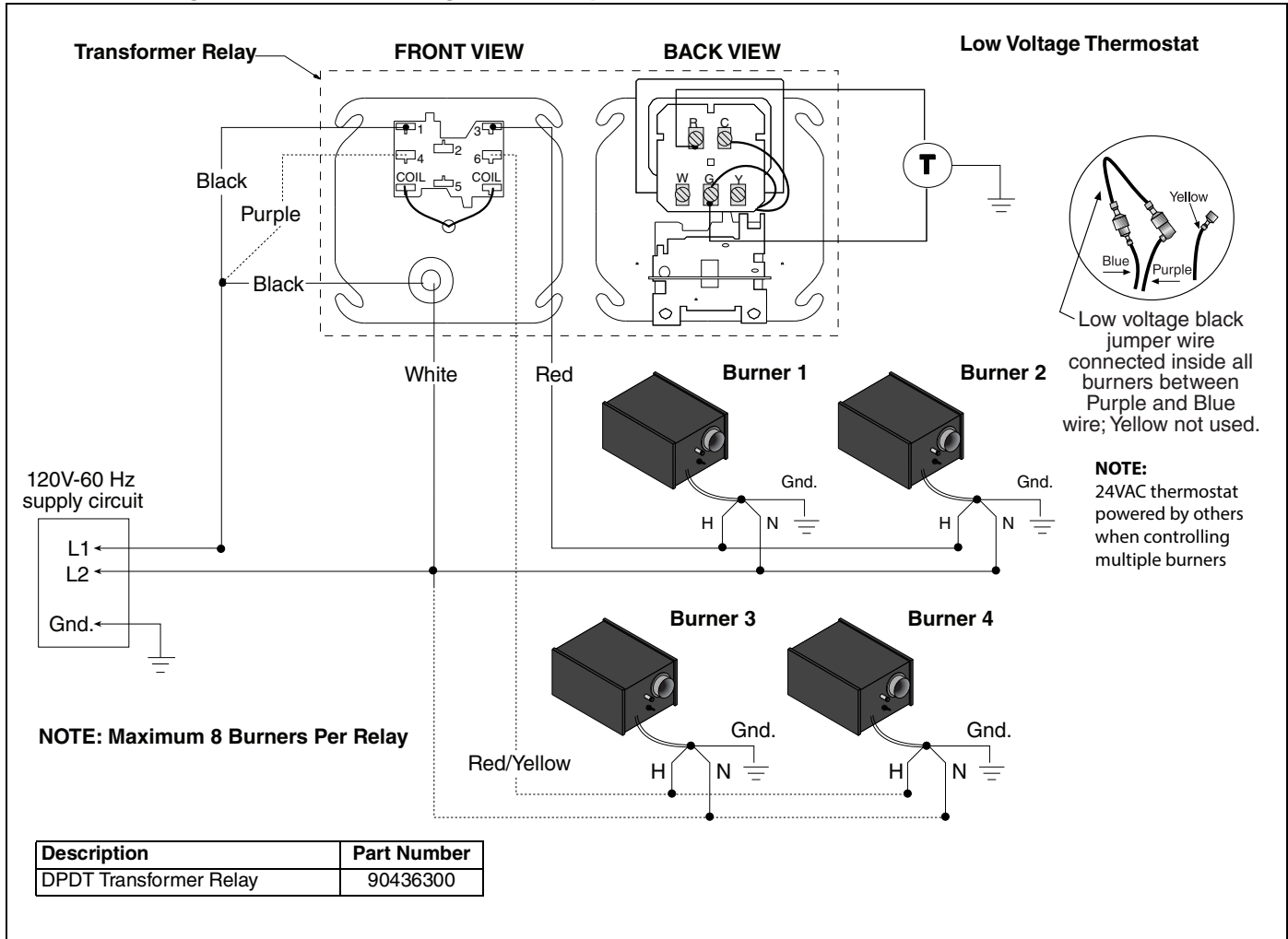
### 10.1 Line Voltage Thermostat Wiring



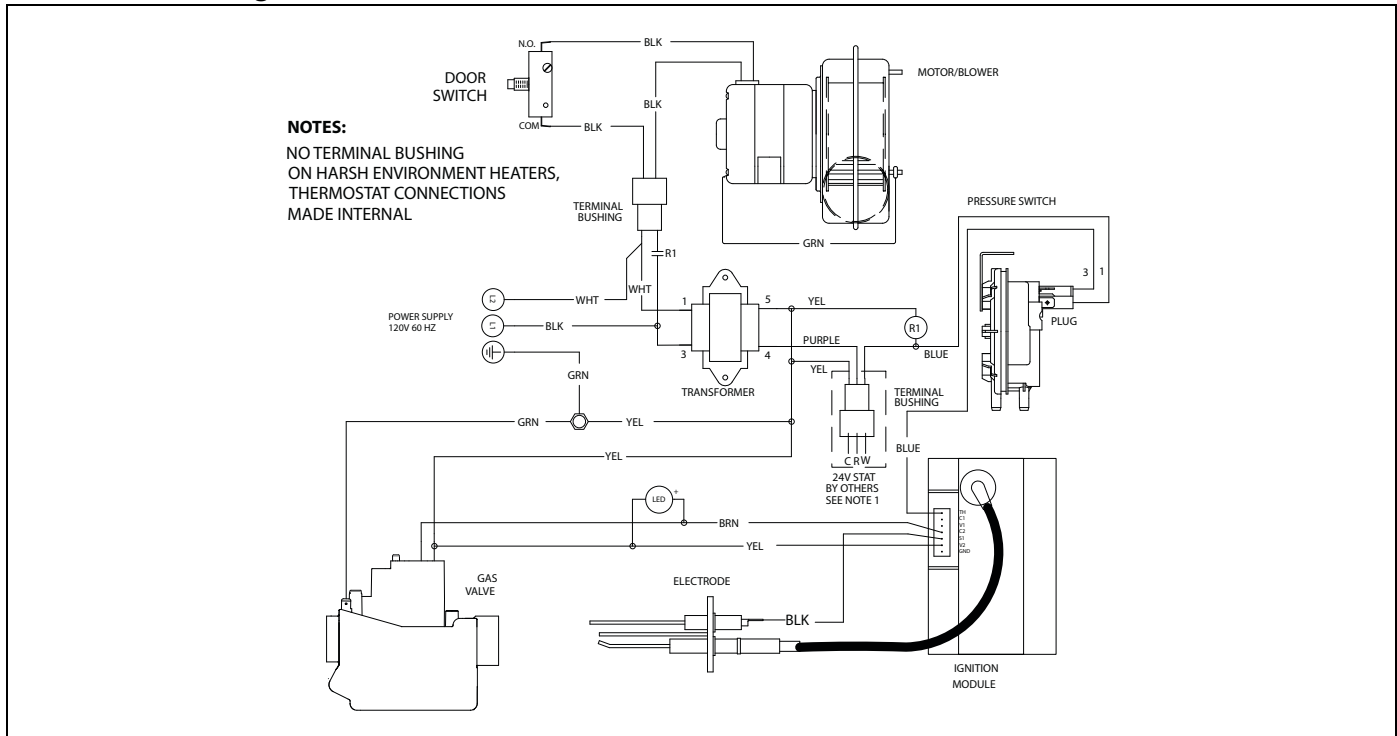
### 10.2 Low Voltage Thermostat with One Burner



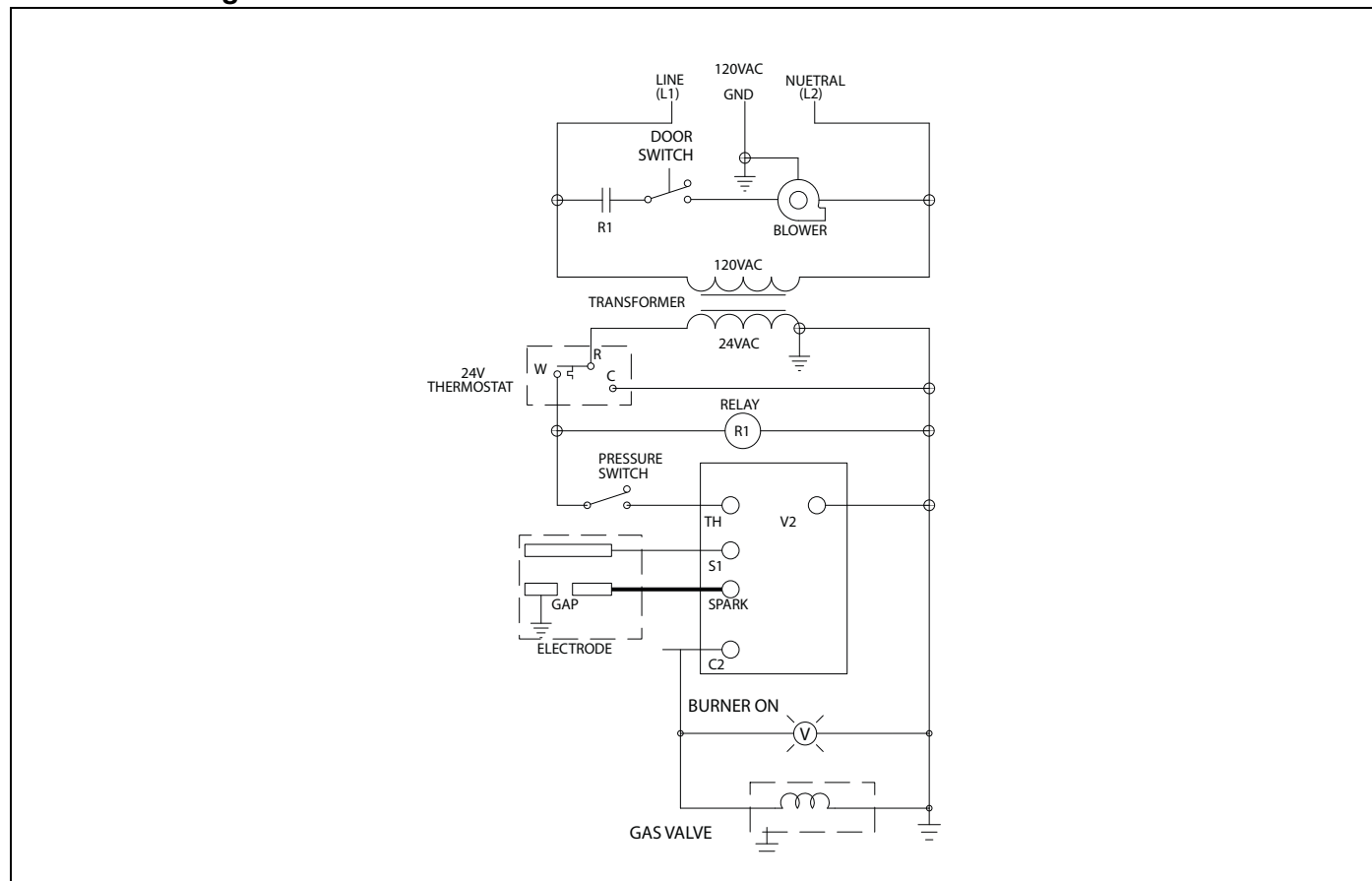
### 10.3 Low Voltage Thermostat Wiring with Multiple Burners



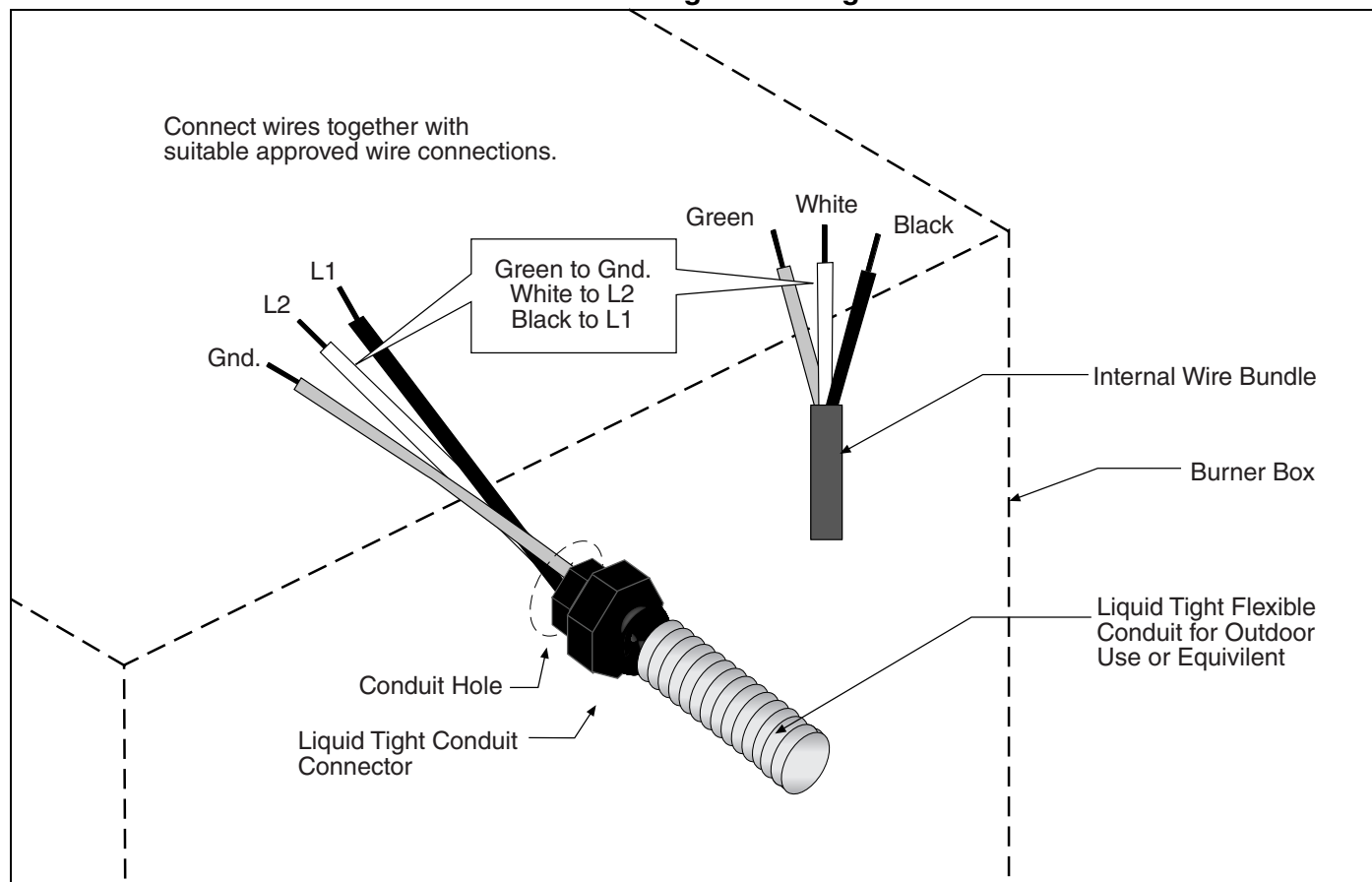
### 10.4 Internal Wiring



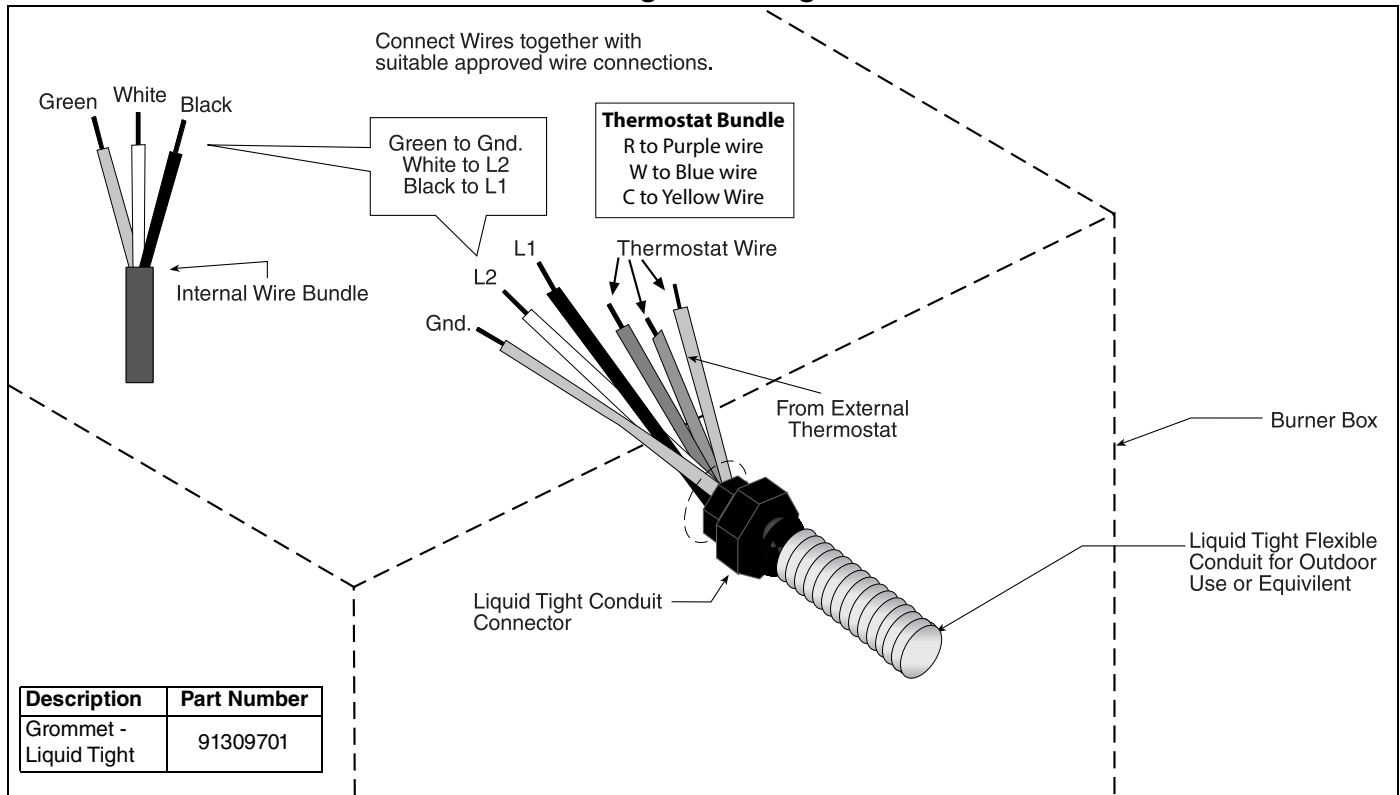
## 10.5 Ladder Diagram







## 10.6 Electrical Connection to the Burner Box using Line Voltage Thermostat on Control



### 10.7 Electrical Connection to Burner Box using Low Voltage Thermostat on Control



## SECTION 11: OPERATION AND MAINTENANCE

<b>⚠ DANGER</b>		<b>⚠ WARNING</b>	
			
<b>Electrical Shock Hazard</b> Disconnect electric before service.  Heater must be connected to a properly grounded electrical source.	<b>Explosion Hazard</b> Turn off gas supply to heater before service.	<b>Burn Hazard</b> Allow heater to cool before service.  Tubing may still be hot after operation.	<b>Cut/Pinch Hazard</b> Wear protective gear during installation, operation and service.  Edges are sharp.
<b>Failure to follow these instructions can result in death, electric shock, injury or property damage.</b>			

This heater is equipped with a direct spark ignition system.

### 11.1 Sequence of Operation

5. Turn the thermostat up. When the thermostat calls for heat, the blower motor will energize.
6. When the motor approaches nominal running RPM, the pressure switch closes and activates the ignition module.
7. After a 45 second prepurge, the ignition module then opens the gas valve and energizes the spark igniter.
8. When the flame is established, the sparking sequence ceases.
9. If the flame is not established during the ignition sequence, the ignition module closes the gas valve and purge begins. Module will try 2 additional times for ignition (with purges in between trials). If ignition is not established, the module will lockout.
10. If the flame extinguishes during operation, the ignition module will attempt the multiple trial sequence described in step 5. If ignition is not re-established, the module will lockout for one hour or until reset.
11. After lockout, the control can be reset by turning down thermostat for five seconds, and then raising it again to desired temperature, or by disconnecting power and then reconnecting.

12. When thermostat is satisfied, all power to the unit is shut off.

### 11.2 To Shut Off Heater

Set thermostat to lowest setting.

Turn OFF electric power to heater.

Turn OFF manual gas valve in the heater supply line.

### 11.3 To Start Heater

Turn gas valve and electric power OFF and wait five minutes for unburned gases to vent from heater.

Turn ON main gas valve.

Turn ON electric power.

Set thermostat to desired temperature. Burner should light automatically.

### 11.4 Pre-Season Maintenance and Annual Inspection

To ensure your safety and years of trouble-free operation of the heating system, service and annual inspections must be done by a contractor qualified in the installation and service of gas-fired heating equipment.

Turn off gas and electric supplies before performing service or maintenance. Allow heater to cool before servicing.

Before every heating season, a contractor qualified in the installation and service of gas-fired heating equipment must perform a thorough safety inspection of the heater.

For best performance, the gas, electrical, thermostat connections, tubing, venting, suspensions and overall heater condition should be thoroughly inspected.



**NOTE:** Gas flow and burner ignition are among the first things that should be inspected.

Please see *Page 64, Section 11.5* for suggested items to inspect.

**11.5 Maintenance Checklist**

**Installation Code and Annual Inspections:**

All installation and service of ROBERTS GORDON® equipment must be performed by a contractor qualified in the installation and service of equipment sold and supplied by Roberts-Gordon LLC and


conform to all requirements set forth in the ROBERTS GORDON® manuals and all applicable governmental authorities pertaining to the installation, service, operation and labeling of the equipment.





To help facilitate optimum performance and safety, Roberts-Gordon LLC recommends that a qualified contractor conduct, at a minimum, annual inspections of your ROBERTS GORDON® equipment and perform service where necessary, using only replacement parts sold and supplied by Roberts-Gordon LLC

<b>The Vicinity of the Heater</b>	<p>Do not store or use flammable objects, liquids or vapors near the heater. Immediately remove these items if they are present.</p> <p><i>See Page 5, Section 3.</i></p>
<b>Vehicles and Other Objects</b>	<p>Maintain the clearances to combustibles.</p> <p>Do not hang anything from, or place anything on, the heater.</p> <p>Make sure nothing is lodged underneath the reflector, in between the tubes or in the decorative or protective grilles (included with select models).</p> <p>Immediately remove objects in violation of the clearances to combustibles.</p> <p><i>See Page 5, Section 3.</i></p>
<b>Reflector</b>	<p>Support reflector with reflector hanger and support strap.</p> <p>Reflector must not touch tube.</p> <p>Make sure there is no dirt, sagging, cracking or distortion.</p> <p>Do not operate if there is sagging, cracking or distortion.</p> <p>Make sure reflectors are correctly overlapped. <i>See Page 32, Section 6.7.1.</i></p> <p>Clean outside surface with a damp cloth.</p>
<b>Vent Pipe</b>	<p>Venting must be intact. Using a flashlight, look for obstructions, cracks on the pipe, gaps in the sealed areas or corrosion.</p> <p>The area must be free of dirt and dust. Clean as required.</p> <p>Remove any carbon deposits or scale using a wire brush.</p> <p><i>See Page 44, Section 8.</i></p>
<b>Outside Air Inlet</b>	<p>Inlet must be intact. Look for obstructions, cracks on the pipe, gaps in the sealed areas or corrosion.</p> <p>The area must be free of dirt and dust. Clean and reinstall as required.</p>
<b>Tubes</b>	<p>Make sure there are no cracks.</p> <p>Make sure tubes are connected and suspended securely.</p> <p><i>See Page 16, Section 6.</i></p> <p>Make sure there is no sagging, bending or distortion.</p> <p>Clean or replace as required.</p>
<b>Gas Line</b>	<p>Check for gas leaks. <i>See Page 57, Section 9.</i></p>
<b>Burner Observation Window</b>	<p>Make sure it is clean and free of cracks or holes.</p> <p>Clean and replace as required.</p>
<b>Blower Scroll, Wheel and Motor</b>	<p>Compressed air or a vacuum cleaner may be used to clean dust and dirt.</p>

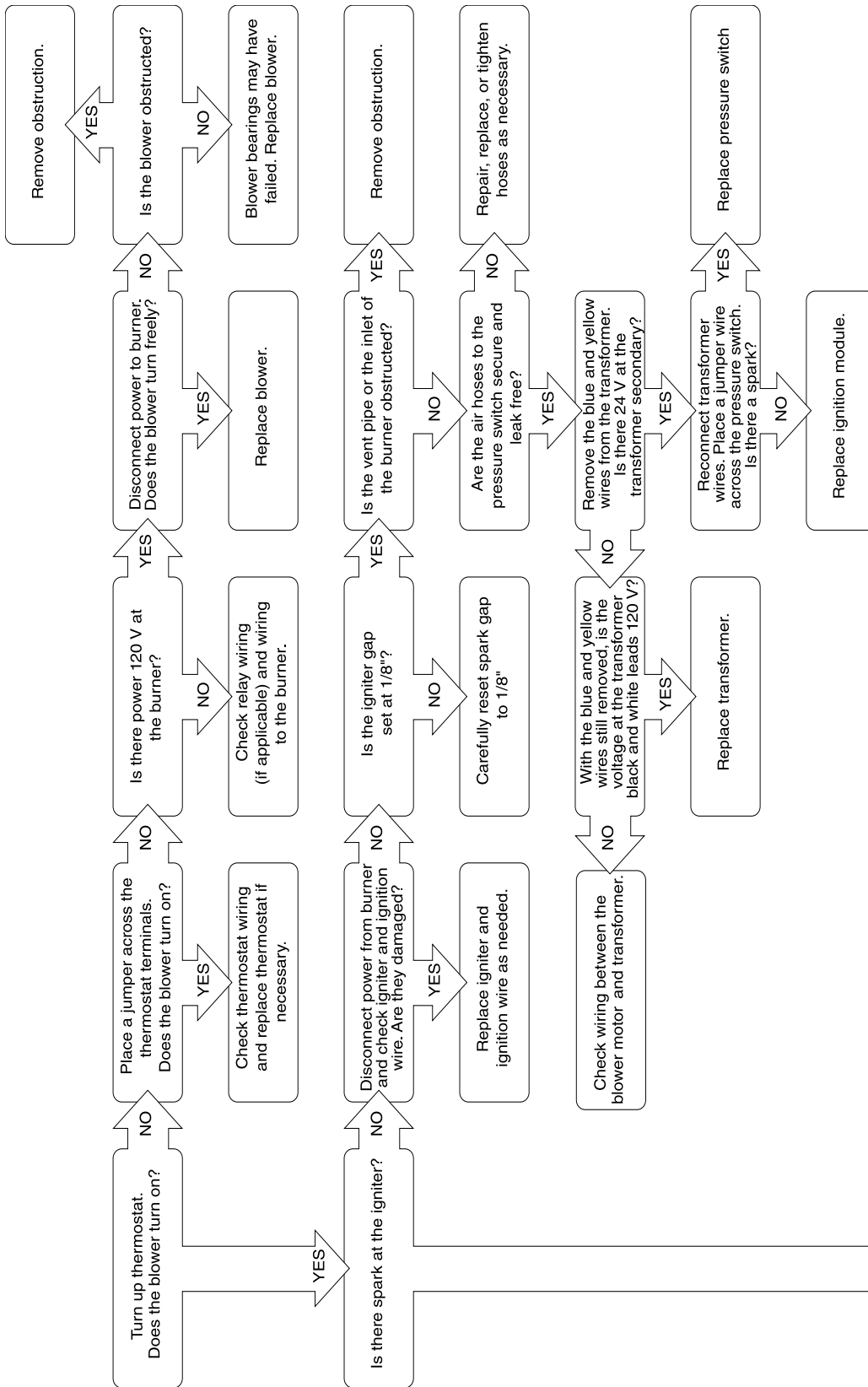
<b>Burner Cup and Orifice</b>	<p>Clear of obstructions (even spider webs will cause problems).</p> <p>Carefully remove any dust and debris from the burner.</p>
<b>Electrode</b>	<p>Replace if there are cracked ceramics, excessive carbon residue, or erosion of the electrode.</p> <p>The electrode gap should be 1/8" (3.2 mm).</p>
<b>Thermostat</b>	<p>There should be no exposed wire or damage to the thermostat.</p> <p><i>See Page 59, Section 10.</i></p>
<b>Suspension Points</b>	<p>Make sure the heater is hanging securely. Look for signs of wear on the chain or ceiling. <i>See Page 17, Figure 16.</i></p>
<b>Decorative and Protective Grille (optional)</b>	<p>The grille must be securely attached.</p> <p>Check that the side reflector extensions are installed correctly and secured in place if necessary. (Decorative grille only.)</p> <p><i>See Page 41, Section 7.5 and Page 43, Section 7.6.</i></p> <p>Make sure shield is installed correctly and secured in place if necessary. (Decorative grille only.) <i>See Page 42, Section 7.5.2.</i></p>
<b>Lower Clearance Shield (optional)</b>	<p>The lower shield must be securely attached. Inspect shield support straps and lower clearance shield anchor points. <i>See Page 41, Section 7.4.</i></p> <p>Make sure shield is installed correctly and secured in place if necessary.</p> <p><i>See Page 41, Section 7.4.</i></p>
<b>Wall Tag</b>	<p>If wall tag is present, make sure it is legible and accurate. Please contact Roberts-Gordon LLC or your ROBERTS GORDON® independent distributor, if you need a wall tag. <i>See Page 4, Section 2.1.</i></p>
<b>Safety Labels</b>	<p>Product safety signs or labels should be replaced by the product user when they are no longer legible. Please contact Roberts-Gordon LLC or your ROBERTS GORDON® independent distributor to obtain replacement signs or labels. <i>See Page 2, Figure 1 through Page 3, Figure 2.</i></p>

**SECTION 12: TROUBLESHOOTING**

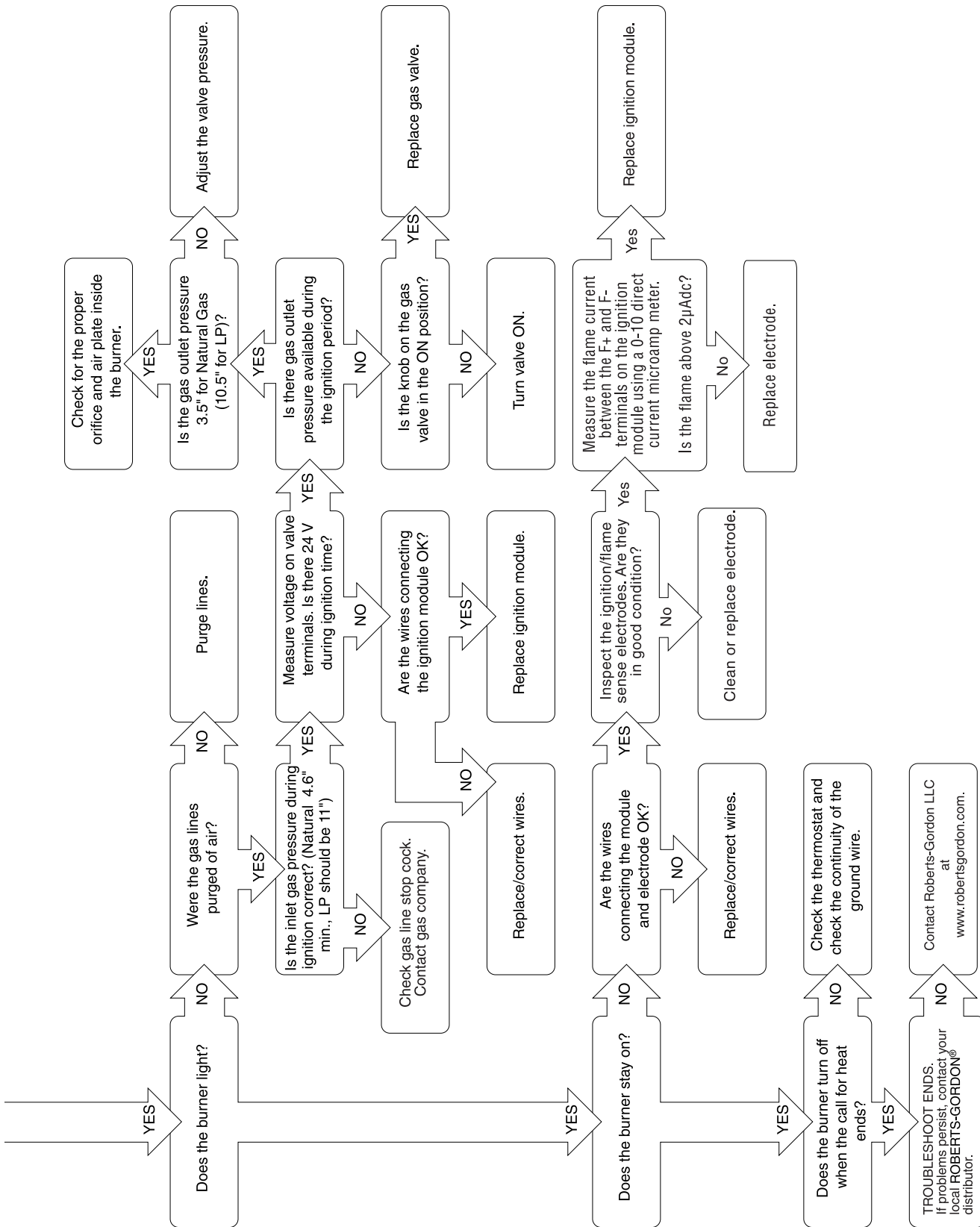
<b>⚠ DANGER</b>

<b>Electrical Shock Hazard</b>
<p>Disconnect electric before service.</p> <p>Heater must be properly earthed.</p> <p>Failure to follow these instructions can result in death or electrical shock.</p>

<b>⚠ WARNING</b>			
			
<b>Fire Hazard</b>	<b>Explosion Hazard</b>	<b>Burn Hazard</b>	<b>Cut/Pinch Hazard</b>
<p>Keep all flammable objects, liquids and vapors the minimum required clearances to combustibles away from heater.</p> <p>Some objects will catch fire or explode when placed close to heater.</p>	<p>Turn off gas supply to heater before service.</p>	<p>Allow heater to cool before service.</p> <p>Tubing may still be hot after operation.</p>	<p>Wear protective gear during installation, operation and service.</p> <p>Edges are sharp.</p>
<b>Failure to follow these instructions can result in death, injury or property damage.</b>			

# 12.1 Troubleshooting Flow Chart

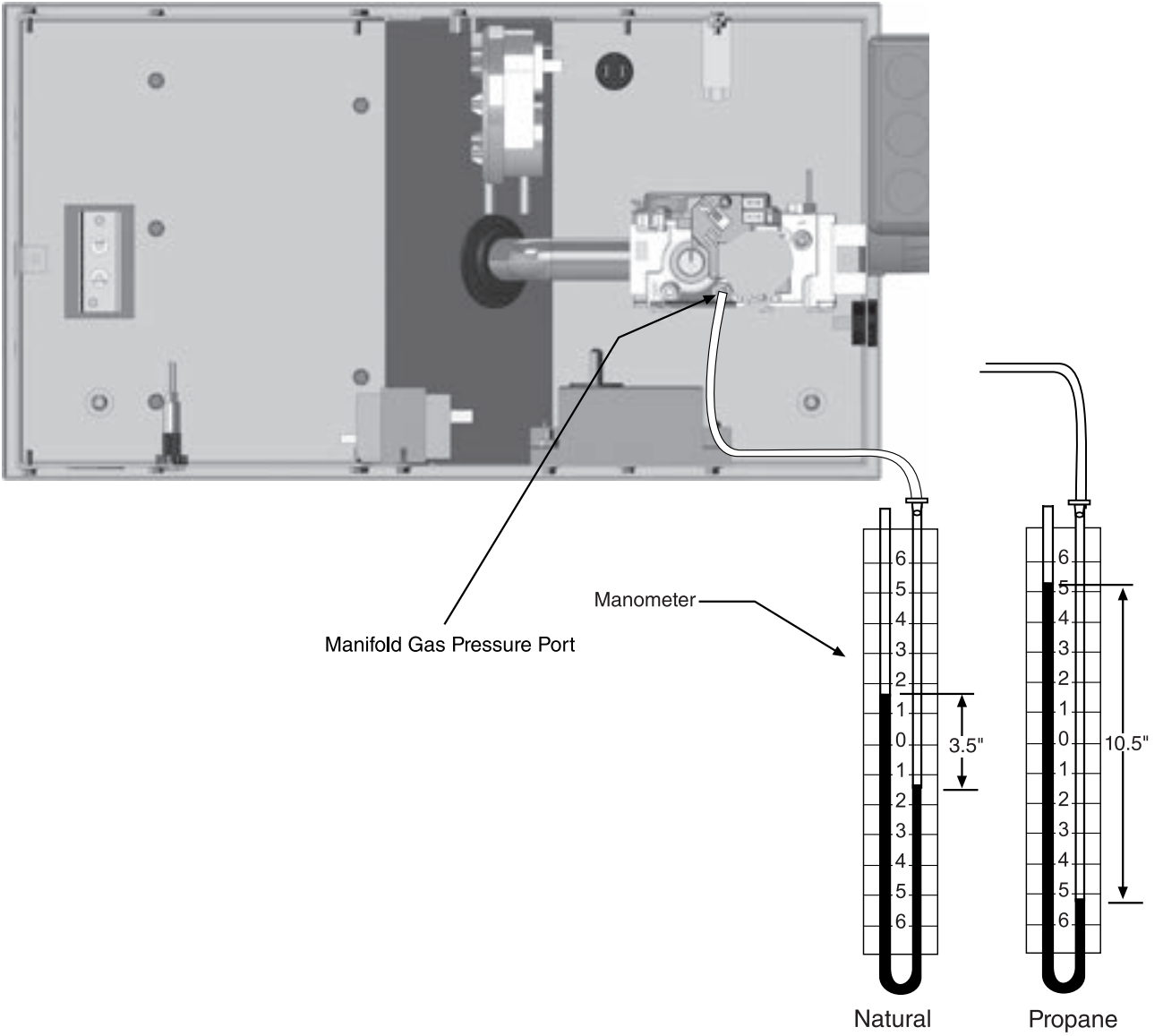


Module Diagnostic Codes:	
LED	Problem
4 second steady flash at start of cycle	Normal
Steady on	Microprocessor failure within module
Three flashes	Ignition lockout Lockout of module after 3 tries
	Solution
	Wait for valve to open
	Replace module
	Recycle unit: check for spark and valve opening and replace:if none, replace module

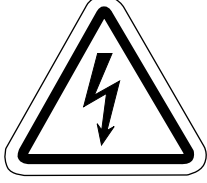





## 12.2 Manifold Gas Pressure Setting

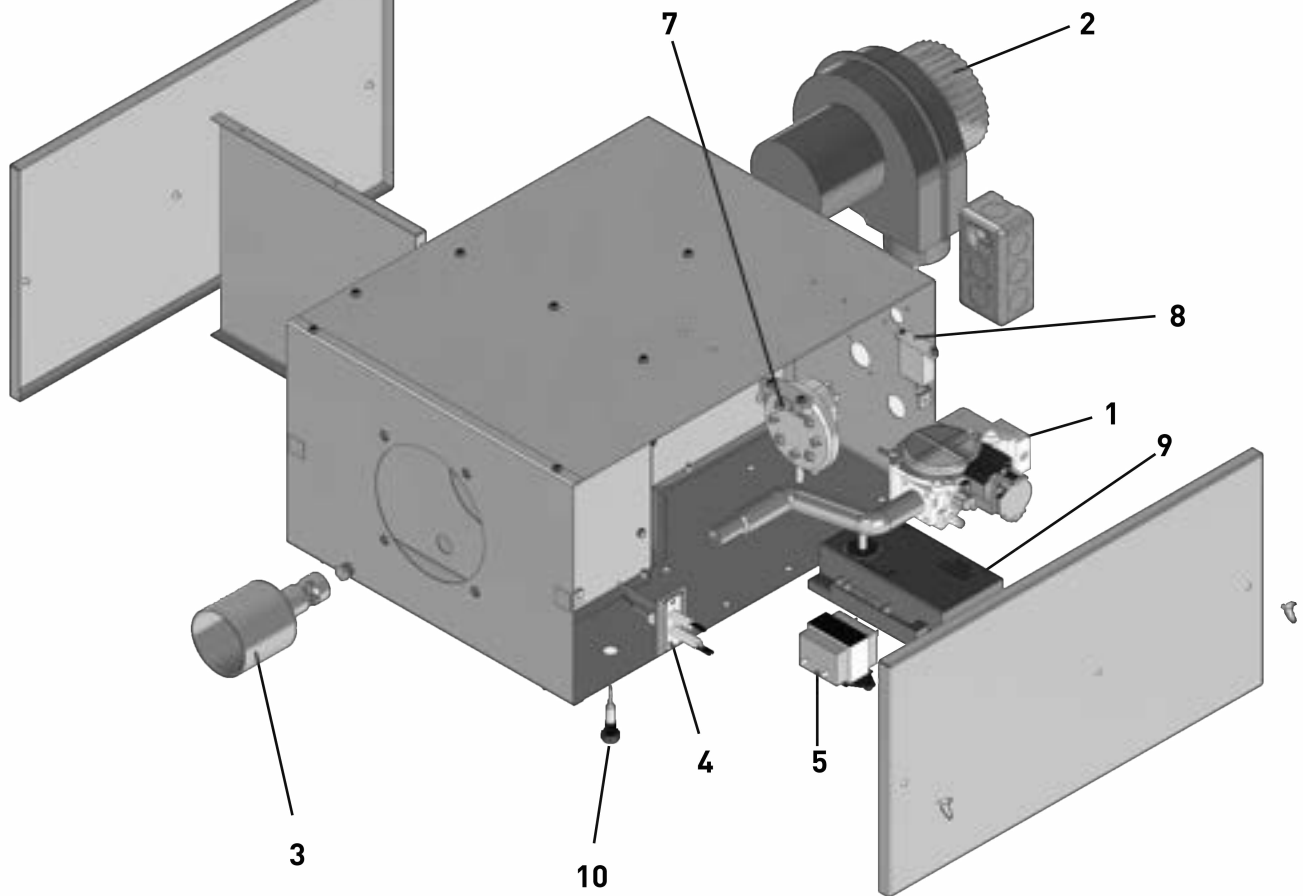
Side View of Heater



**SECTION 13: REPLACEMENT PARTS**

<b>⚠ DANGER</b>	<b>⚠ WARNING</b>		
			
<b>Electrical Shock Hazard</b>	<b>Explosion Hazard</b>	<b>Fire Hazard</b>	<b>Carbon Monoxide Hazard</b>
<p><b>Use only genuine ROBERTS GORDON® replacement parts per this installation, operation and service manual.</b></p> <p><b>Failure to follow these instructions can result in death, electric shock, injury or property damage.</b></p>			

See warnings and important information before removing or replacing parts. After any maintenance or repair work, always test fire the heater in accordance with the start-up instructions on *Page 63, Section 11* to help ensure all safety systems are in working order before leaving the heater to operate. Minor faults may be traced by using the troubleshooting charts on *Page 66, Section 12 through Page 69, Figure 12.2*.

**FIGURE 35: Burner Exploded View**

	<b>Description</b>	<b>Part Number</b>
1	Gas Valve (Natural)	90032510
1	Gas Valve (LP)	90032512
	Tube Gasket (Not Shown)	02568200
	Blower Inlet Gasket (Not Shown)	03050900
2	Motor and Blower Assembly	90708600-P
	Air Adapter Collar	91911704
	Combustion Air Weather Vent (Not Shown)	03700009
3	Burner Cup Assembly	03020100
4	Electrode Assembly	90427400
	Mica Window Assembly (Not Shown)	02553203
5	Transformer	90436900K
7	Pressure Switch:	
	(100)	90439803K
	(150)	90439804K
	(40, 60, 125)	90439805K
	(80, 175)	90439810K
8	24 Vac Relay	90447140
9	DSI Ignition Module	90439500K
10	LED Burner Status Light	91316103



**SECTION 14: GENERAL SPECIFICATIONS**

**14.1 Material Specifications**

**14.1.1 Reflectors**

.024 Aluminum (Standard or High Efficiency Reflectors)  
 (optional .024 Stainless Steel Type 304, Standard Reflectors Only)

**14.2 Heater Specifications**

**14.2.1 Ignition**

Fully automatic, three-try, direct spark, electronic ignition control, 100% safety shut-off.

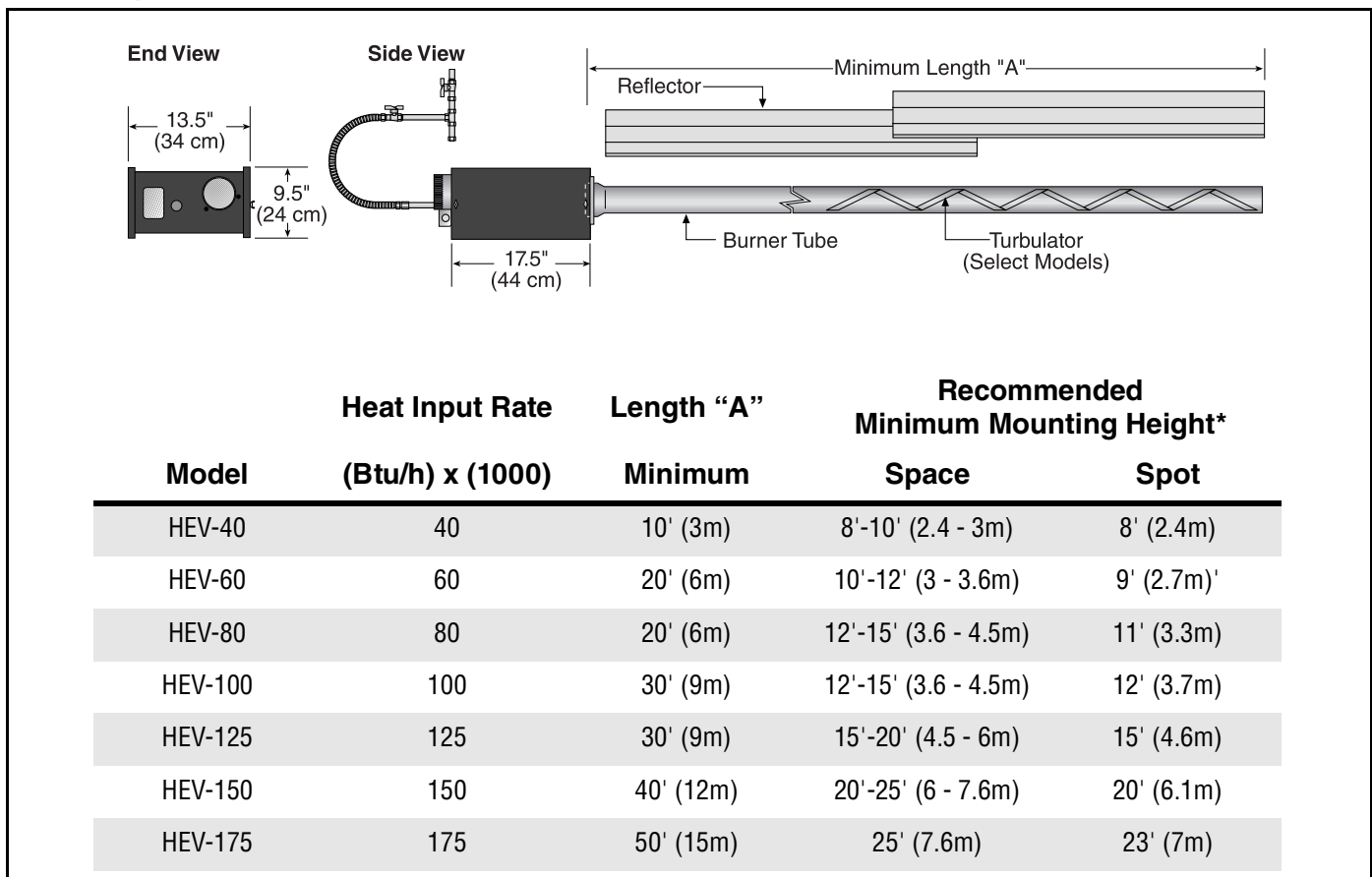
**14.3 Suspension Specifications**

Hang heater with materials with a minimum working load of 75 lbs (33 kg). See Page 17, Figure 16.

**14.4 Controls Specifications**

Time switches, thermostats, etc. can be wired into the electrical supply. External controls supplied as an optional extra.

General Specifications for the heaters are as follows:



\*See Page 5, Section 3 for clearances to combustibles.

**GAS PRESSURE AT MANIFOLD:**

Natural Gas: 3.5" wc  
 LP Gas: 10.5" wc

**PIPE CONNECTION:**

1/2" NPT

**DIMENSIONS:**

Vent Connection Size: 4" (10 cm)  
 Outside Air Connection Size: 4" (10 cm)  
 Refer to figure above for dimensional information.

**GAS INLET PRESSURE:**

**Natural Gas:**

for 40,60,80,100,125,150 4.6" wc Minimum  
 for 175 5.0" wc Minimum

**LP Gas:**

14.0" wc Maximum  
 11.0" wc Minimum  
 14.0" wc Maximum

**ELECTRICAL RATING (ALL MODELS):**

120 V - 60 Hz., 1.0 A

**PRODUCT "TYPE" ACCORDING TO ASHRAE HANDBOOK-HVAC SYSTEMS AND EQUIPMENT (LATEST EDITION)**

Type: "C" - Indirect Tube-Type Heater (Forced Draft)

**SECTION 15: THE ROBERTS GORDON® VANTAGE® HEV WARRANTY****ROBERTS-GORDON WILL PAY FOR:**

Within 36 months from date of purchase by buyer or 42 months from date of shipment by Roberts-Gordon LLC (whichever occurs first), replacement parts will be provided free of charge for any part of the product which fails due to a manufacturing or material defect.

Roberts-Gordon LLC will require the part in question to be returned to the factory. Roberts-Gordon LLC will, at its sole discretion, repair or replace after determining the nature of the defect and disposition of part in question.

ROBERTS GORDON® Replacement Parts are warranted for a period of 12 months from date of shipment from Roberts-Gordon LLC or the remaining ROBERTS GORDON® VANTAGE® HEV warranty.

**ROBERTS-GORDON WILL NOT PAY FOR:**

Service trips, service calls and labor charges.

Shipment of replacement parts.

Claims where the total price of the goods have not been paid.

Damage due to:

- Improper installation, operation or maintenance.
- Misuse, abuse, neglect, or modification of the ROBERTS GORDON® VANTAGE® HEV in any way.
- Use of the ROBERTS GORDON® VANTAGE® HEV for other than its intended purpose.
- Incorrect gas or electrical supply, accident, fire, floods, acts of God, war, terrorism, or other casualty.
- Improper service, use of replacement parts or accessories not specified by Roberts-Gordon.
- Failure to install or maintain the ROBERTS GORDON® VANTAGE® HEV as directed in the Installation, Operation and Service manual.
- Relocation of the ROBERTS GORDON® VANTAGE® HEV after initial installation
- The use of the ROBERTS GORDON® VANTAGE® HEV in a corrosive atmosphere containing contaminants.
- The use of the ROBERTS GORDON® VANTAGE® HEV in the vicinity of a combustible or explosive material.
- Any defect in the ROBERTS GORDON® VANTAGE® HEV arising from a drawing, design, or specification supplied by or on behalf of the consumer.
- Damage incurred during shipment. Claim must be filed with carrier.

**WARRANTY IS VOID IF:**

The ROBERTS GORDON® VANTAGE® HEV is not installed by a contractor qualified in the installation and service of gas fired heating equipment.

You cannot prove original purchase date and required annual maintenance history.

The data plate and/or serial number are removed, defaced, modified or altered in any way.

The ownership of the ROBERTS GORDON® VANTAGE® HEV is moved or transferred. This warranty is nontransferable.

Roberts-Gordon is not permitted to inspect the damaged controller and/or component parts.

**READ YOUR INSTALLATION, OPERATION AND SERVICE MANUAL**

If you have questions about your controller, contact your installing professional. Should you need Replacement Parts or have additional questions, call or write:

**Roberts-Gordon LLC**

1250 William Street

P.O. Box 44

Buffalo, New York 14240-0044

Telephone: +1.716.852.4400

Fax: +1.716.852.0854

[www.robertsgordon.com](http://www.robertsgordon.com)

**Roberts-Gordon LLC's liability, and your exclusive remedy, under this warranty or any implied warranty (including the implied warranties of merchantability and fitness for a particular purpose) is limited to providing replacement parts during the term of this warranty.** Some jurisdictions do not allow limitations on how long an implied warranty lasts, so this limitation may not apply to you. There are no rights, warranties or conditions, expressed or implied, statutory or otherwise, other than those contained in this warranty.

**Roberts-Gordon LLC shall in no event be responsible for incidental or consequential damages or incur liability for damages in excess of the amount paid by you for the ROBERTS GORDON® VANTAGE® HEV.**

Some jurisdictions do not allow the exclusion or limitation of incidental or consequential damages, so this limitation or exclusion may not apply to you. This warranty gives you specific legal rights, and you may also have other rights which vary from jurisdiction to jurisdiction.

Roberts-Gordon shall not be responsible for failure to perform under the terms of this warranty if caused by circumstances out of its control, including but not limited to war, fire, flood, strike, government or court orders, acts of God, terrorism, unavailability of supplies, parts or power. No person is authorized to assume for Roberts-Gordon any other warranty, obligation or liability.

**LIMITATIONS ON AUTHORITY OF REPRESENTATIVES:**

No representative of Roberts-Gordon LLC, other than an Executive Officer, has authority to change or extend these provisions. Changes or extensions shall be binding only if confirmed in writing by Roberts-Gordon LLC's duly authorized Executive Officer.



## OWNER WARRANTY REGISTRATION CARD

**Mail or Fax to:**  
Roberts Gordon LLC • 1250 William Street, P.O. Box 44 • Buffalo, NY 14240-0044 • Phone: 716-852-4400 • Fax: 716-852-0854  
www.robertsgordon.com

**About the Owner:**

Name: \_\_\_\_\_  
Address: \_\_\_\_\_ City: \_\_\_\_\_ State: \_\_\_\_\_ Zip Code: \_\_\_\_\_  
Phone: \_\_\_\_\_ Fax: \_\_\_\_\_ E-mail: \_\_\_\_\_

**About the Installer:**

Name: \_\_\_\_\_  
Address: \_\_\_\_\_ City: \_\_\_\_\_ State: \_\_\_\_\_ Zip Code: \_\_\_\_\_  
Phone: \_\_\_\_\_ Fax: \_\_\_\_\_ E-mail: \_\_\_\_\_

**Purchased From (if different than installer):**

Name: \_\_\_\_\_  
Address: \_\_\_\_\_ City: \_\_\_\_\_ State: \_\_\_\_\_ Zip Code: \_\_\_\_\_  
Phone: \_\_\_\_\_ Fax: \_\_\_\_\_ E-mail: \_\_\_\_\_

**About your Heater:**

Model#: \_\_\_\_\_ Serial #: \_\_\_\_\_ Fuel: \_\_\_\_\_ Installation Date: \_\_\_\_\_

**Type of Installation (check one):**

Automotive       Manufacturing       Warehouse       Recreational       Aircraft  
 Public Building       Office       Retail       Agricultural       Other \_\_\_\_\_

-----

**Installation Code and Annual Inspections:** All installation and service of ROBERTS GORDON® equipment must be performed by a contractor qualified in the installation and service of equipment sold and supplied by Roberts-Gordon LLC and conform to all requirements set forth in the ROBERTS GORDON® manuals and all applicable governmental authorities pertaining to the installation, service, operation and labeling of the equipment.

To help facilitate optimum performance and safety, Roberts-Gordon LLC recommends that a qualified contractor conduct, at a minimum, annual inspections of your ROBERTS GORDON® equipment and perform service where necessary, using only replacement parts sold and supplied by Roberts-Gordon LLC.

**These products are not for residential use.**

**This product is intended to assist licensed professionals in the exercise of their professional judgment.**

©2020 Roberts-Gordon LLC - All rights reserved. No part of this work covered by the copyrights herein may be reproduced or copied in any form or by any means – graphic, electronic, or mechanical, including photocopying, recording, taping, or information storage and retrieval systems – without written permission of Roberts Gordon LLC.  
Printed in the U.S.A.

Attach this information to a wall near the ROBERTS GORDON® heater.

# ROBERTS GORDON®

## Infrared Heating

Read the Installation, Operation, and Service Manual thoroughly before installation, operation, or service.

Know your model number and installed configuration.

Model number and installed configuration are found on the burner and in the Installation, Operation and Service Manual.

Write the largest clearance dimensions with permanent ink according to your model number and configuration in the open spaces below.

### OPERATING INSTRUCTIONS

1. STOP! Read all safety instructions on this information sheet.
2. Open the manual gas valve in the heater supply line.
3. Turn on electric power to the heater.
4. Set the thermostat to desired setting.

### TO TURN OFF THE HEATER

1. Set the thermostat to off or the lowest setting.

### IF THE HEATER WILL NOT OPERATE, TO ENSURE YOUR SAFETY, FOLLOW THESE INSTRUCTIONS TO SHUT DOWN YOUR HEATER

1. Set the thermostat to off or the lowest setting.
2. Turn off electric power to the heater.
3. Turn off the manual gas valve in the heater supply line.
4. Call your registered installer/contractor qualified in the installation and service of gas-fired heating equipment.

### ⚠ WARNING



Fire Hazard

Keep all flammable objects, liquids and vapors the minimum required clearances to combustibles away from heater.

Some objects will catch fire or explode when placed close to heater.

Failure to follow these instructions can result in death, injury or property damage.

**Maintain \_\_\_\_\_ clearance  
to the side and  
\_\_\_\_\_ clearance below  
the heater from vehicles  
and combustible materials.**

Roberts-Gordon LLC  
1250 William Street  
P.O. Box 44  
Buffalo, NY 14240-0044 USA  
Telephone: +1.716.852.4400  
Fax: +1.716.852.0854

#### Installation Code and Annual Inspections:

All installation and service of ROBERTS GORDON® equipment must be performed by a contractor qualified in the installation and service of equipment sold and supplied by Roberts-Gordon and conform to all requirements set forth in the ROBERTS GORDON® manuals and all applicable governmental authorities pertaining to the installation, service, operation and labeling of the equipment. To help facilitate optimum performance and safety, Roberts-Gordon recommends that a qualified contractor conduct, at a minimum, annual inspections of your ROBERTS GORDON® equipment and perform service where necessary, using only replacement parts sold and supplied by Roberts-Gordon.

**Further Information:** Applications, engineering and detailed guidance on systems design, installation and equipment performance is available through ROBERTS GORDON® representatives. Please contact us for any further information you may require, including the Installation, Operation and Service Manual.

**This product is not for residential use.**

© 2017 Roberts-Gordon LLC

All rights reserved. No part of this work covered by the copyrights herein may be reproduced or copied in any form or by any means – graphic, electronic, or mechanical, including photocopying, recording, taping, or information storage and retrieval systems – without written permission of Roberts-Gordon LLC.

www.robertsgordon.com

P/N 91037912 Rev. K